

# General information

## Reading and storing the user manual



This user manual accompanies this 18V lithium-ion cordless drill. It contains important information on start-up and handling.

For improved readability, the 18V lithium-ion cordless drill will be referred to only as the “drill” below.

Before using the drill, read the user manual carefully. This particularly applies for the safety notes. Failure to heed this user manual may result in severe injury or damage to the drill.

The user manual is based on the standards and rules in force in the European Union. When abroad, you must also observe country-specific guidelines and laws.

Store the user manual for future use. If you pass the drill on to third parties, please be absolutely sure to include this user manual.

## Explanation of symbols

The following symbols and signal words are used in this user manual, on the drill, the quick charger or on the packaging.

 **WARNING!**

This signal symbol/word designates a hazard with moderate degree of risk which may lead to death or severe injury if not avoided.

 **CAUTION!**

This signal symbol/word designates a hazard with low risk that, if not avoided, may result in minor or moderate injury.

**NOTICE!**

This signal word warns against potential damages to property.



This symbol provides you with useful supplementary information on assembly or operation.



Only use the drill indoors and protect it against exposure to moisture.

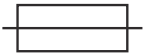


This symbol identifies products that belong to the protection class II.

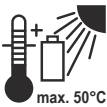


Products marked with this symbol have a positive central conductor. Only connect it with products that also have a positive central conductor.

**T2 A**



Products marked with this symbol are equipped with a type T2 A fuse.



Only use the charged rechargeable battery up to an ambient temperature of no more than 50 °C.



Do not throw the rechargeable battery in fire.



Do not throw the rechargeable battery in water.



1 h

The drill has a quick charger with a maximum charging time of one hour.



Read the user manual and follow the warning and safety notes.



Declaration of conformity (see chapter “Declaration of conformity”): Products marked with this symbol meet all applicable Community regulations for the European Economic Area.

# Safety

## Proper use

The drill is only designed for drilling and screw-driving. It is only intended for DIY use and is not suitable for commercial use.

Only use the drill as described in this user manual. Any other use is deemed improper and may result in damage to property or even personal injury.

The drill is not a children's toy.

The manufacturer or vendor accepts no liability for damage caused by improper or incorrect use.

## Safety notes

### General safety notes for power tools

**Read all safety notes and instructions.**

Failure to follow the safety notes and instructions may result in an electric shock, fire and/or severe injury.

Keep all safety notes and instructions for future reference.

The term "power tool" used in the safety notes refers to mains-operated power tools (with a mains cord) and battery-powered power tools (cordless).

### Work place safety

- a) **Keep your work area clean and well lit.** Disorganisation or unlit work areas may result in accidents.
- b) **Do not work with the power tool in areas with a risk of explosion where flammable liquids, gases or dusts are present.** Power tools may produce sparks that could ignite dust or vapours.
- c) **Keep children and other persons away from the power tool while you are using it.** If you are distracted, you could lose control of the device.

### Electrical safety

- a) **The connector plug for the power tool must fit in the socket. The plug must not be modified in any way. Do not use any adapter plugs in combination with power tools with protective earthing.** Plugs that have not been modified and sockets with the proper fit reduce the risk of an electric shock.
- b) **Avoid coming into contact with earthed surfaces like pipes, heaters, stoves and refrigerators.** There is an increased risk of electric shock if your body is grounded.

- c) **Keep power tools away from rain or moisture.** If water penetrates a power tool, there is an increased risk of electric shock.
- d) **Do not use the cord for purposes other than the intended one such as for carrying the power tool, hanging it up or pulling the plug out of the socket. Keep the cord away from heat, oil, sharp edges or moving parts of the device.** A damaged or wound up cable increases the risk of an electric shock.
- e) **If you are working with a power tool outdoors, only use extension cords that are also suitable for outdoor use.** The use of an extension cord suitable for outdoor application reduces the risk of electrical shock.
- f) **If operating the power tool in a damp environment cannot be avoided, use a fault-current circuit breaker.** Using a fault-current circuit breaker reduces the risk of an electric shock.

## Personal safety

- a) **Be careful, pay attention to what you are doing and approach work with a power tool in a reasonable manner. Do not use any power tool if you are tired or under the influence of drugs, alcohol or medication.** A single moment of lapsed concentration when using the power tool can result in serious injury.
- b) **Wear personal protective gear and always wear protective goggles.** Depending on the type of power tool and how it is used, wearing personal protective gear such as a dust mask, non-slip safety shoes, a protective helmet or ear protection reduces the risk of injury.
- c) **Avoid accidentally activating the device. Make sure that the power tool is turned off before you connect it to the power supply, connect the rechargeable battery, pick it up or carry it.** If you have your finger on the switch when carrying the power tool or connect the device to the power supply when it is turned on, this may cause an accident.
- d) **Remove all adjusting tools or spanners before you switch the power tool on.** A tool or spanner in contact with a rotating part of the device may result in injury.
- e) **Avoid an abnormal posture. Assume a stable position and keep your balance at all times.** This will allow you to have better control of the power tool in the event of unexpected situations.
- f) **Wear suitable clothing. Do not wear any loose-fitting clothing or jewellery. Keep your hair, clothing and gloves away from the moving parts.** Loose clothing, jewellery or long hair may get caught in the moving parts.
- g) **If you can attach dust extractors or collectors, make sure that they are connected and used properly.** Using a dust extractor may reduce risks associated with dust.

## Using and handling the power tool

- a) **Do not overload the device. Use the right power tool for your work.** The right power tool will ensure that you work more effectively and safely within the specified power range.
- b) **Do not use a power tool if its switch is defective.** A power tool that can no longer be switched on or off is dangerous and must be repaired.
- c) **Pull the plug out of the socket and/or remove the rechargeable battery before you make any adjustments to the device, change the accessories or put away the device.** This precaution will prevent the power tool from accidentally starting.
- d) **Keep unused power tools out of the reach of children. Do not let persons use the power tool if they are not familiar with it or have not read these instructions.** Power tools are dangerous if used by inexperienced persons.
- e) **Take good care of the power tools. Check to make sure that the moving parts are functioning properly and not stuck, whether parts are broken or damaged so as to affect the function of the power tool. Have damaged parts repaired before you use the device.** A large number of accidents are caused by poorly maintained power tools.
- f) **Keep cutting tools sharp and clean.** Well maintained cutting tools with sharp cutting edges are less likely to catch and are easier to guide.
- g) **Use the power tool, accessories, insertion tools etc. in accordance with these instructions. At the same time, consider the working conditions and the work to be performed.** Using power tools for applications other than the intended ones may result in dangerous situations.

## Using and handling the cordless tool

- a) **Only charge the rechargeable batteries in chargers recommended by the manufacturer.** Chargers that are only suitable for certain rechargeable battery types pose a risk of fire if used with other rechargeable batteries.
- b) **Use power tools only with specifically designated battery packs**  
Using other rechargeable batteries may result in injury and a risk of fire.
- c) **Keep the unused rechargeable battery away from paper clips, coins, keys, nails, screws or other small metallic objects that could bridge the contacts.** A short circuit between the contacts of the rechargeable battery could result in burns or fire.
- d) **If used improperly, liquid may leak out of the rechargeable battery. Avoid coming into contact with it. Rinse with water in the event of accidental contact. If liquid comes into contact with your eyes, also seek medical attention.** Fluid leaked from the rechargeable battery may cause skin irritations or burns.

## Service

- a) **Only have your power tool repaired by a qualified professional and only with original spare parts.** This will ensure that the safety of the power tool is not compromised.

## Special safety notes for hammers and power screwdrivers

- a) **Wear ear protection!** Noise may cause hearing loss.
- b) **Hold the drill by the insulated handles when performing work where there is a risk of the fitted tool or screw coming into contact with hidden power lines.** Contact with a live line could also energise metallic parts of the device and inflict an electric shock.
- c) **Use suitable detectors to locate concealed supply lines or consult the local utility company. Contact with voltage-carrying lines can cause fire and electrical shock.** Damage to a gas line may cause an explosion. Damage to a water line will result in damage to property.
- d) **Immediately switch off the drill if the fitted tool jams.** The high reaction torques could trigger kickback and result in serious injury.  
The tool being used jams when:
  - the drill is overloaded or
  - the tool being used slips sideways in the work piece.
  - the tool hits a knot, nail screw or a tough irregularity in the workpiece.
- e) **Secure the workpiece.** A work piece held in place with clamping fixtures or in a vice is more secure than if held by your hand.
- f) **Keep your workplace clean. Mixtures of materials are particularly dangerous.** Materials such as light metal dust or chips can catch fire.
- g) **Wait until the drill has come to a complete stop before you put it down.** Otherwise the fitted tool could catch and you could lose control of the drill.
- h) **Before performing any work with the drill or on the drill (e.g. maintenance, changing a tool) as well as before transporting and storing it, move the rotational direction switch to the intermediate position.** There is a risk of injury if you accidentally operate the On/Off switch.
- i) **Protect the drill and its parts against exposure to heat, e.g. in the event of continuous exposure to direct sunlight or fire, as well as water and moisture.** Otherwise, there is a risk of the rechargeable battery exploding.
- j) **Damage and improper use of the rechargeable battery may cause vapours to be emitted that are harmful to health.** Ventilate the area with fresh air. If you experience discomfort, consult a physician. These vapours may irritate your respiratory tract.

**⚠ WARNING!****Risk of electric shock!**

A faulty electrical installation or excessive mains voltage may result in an electric shock.

- Only connect the charger of the drill if the mains voltage of the socket corresponds to the nameplate specification.
- The connector plug must not be modified in any way.
- Do not use any adapter plugs in combination with power tools with protective earthing.
- Only connect the charger to an easily accessible socket so that you can quickly disconnect the charger from the mains in case of a failure.
- Do not operate the charger if it is visibly damaged or if the mains cord or mains plug is defective.
- If the cord of the charger is damaged, it must be replaced. Please contact after sales support.
- Do not open the housing; instead, please contact after sales support if any part of the drill ceases to function as it should. Liability and warranty claims are waived in the event of repairs performed by the user, improper connection of the device or incorrect operation.
- Only parts that comply with the original device data may be used for repairs. Electrical and mechanical parts, which are essential for providing protection against sources of danger, are located in this drill and charger.
- Avoid coming into physical contact with earthed surfaces like pipes, heaters, stoves or refrigerators when working with the drill or connecting it to the charger.
- The charger may not be operated with an external timer or with a separate telecontrol system.
- Do not immerse the charger, the cord or mains plug in water or other liquids. Keep liquid clear of the parts of the tool and away from persons in the working area.

- Never attempt to recharge non-rechargeable batteries.
- Never pull the mains plug out of the socket by the mains cord; instead, always do so by taking hold of the mains plug.
- Never use the mains cord as a carrying handle.
- Keep the charger, mains plug and mains cord away from open flames and hot surfaces.
- Lay the mains cord so that it does not pose a tripping hazard.
- Do not kink the mains cord and do not lay it over sharp edges.
- Only use the charger in indoor areas. Do not use them in wet rooms or in the rain.
- Never store the charger so that it is at risk of falling into a bath tub or washbasin.
- Never reach to retrieve an electrical device if it has fallen in water. In such a case, immediately disconnect the mains plug.
- Make sure that children do not insert any objects in the charger or the charging cradle.
- Always switch the drill charger off and pull the mains plug out of the socket when you are not using the charger, cleaning it or in the event of a fault.

**⚠ WARNING!**

**Danger for children and persons with impaired physical, sensory or mental capacities (e.g. partially disabled persons, older persons with reduced physical and mental capacities) or lack of experience and knowledge (e.g. older children).**

- This drill may be used by persons with impaired physical, sensory or mental capacities or those lacking experience and knowledge if they are supervised or have been instructed in how to safely use the drill and have understood the risks associated with operating it. Children must not play with the drill.
- Do not leave the drill unattended while in operation.
- Do not allow children to play with the packaging wrapper. They may get caught in it when playing and suffocate.

**⚠ WARNING!****Risk of injury due to inattentive use!**

Improper and inattentive use of power tools can result in serious injury to yourself and other persons.

- Before you drill, check the area where you intend to drill the hole for lines of any kind e.g. water, gas and electricity. Use a suitable device such as a metal detector or electrical line detector. In case of doubt, consult a professional or the supplying utility.
- Remove the rechargeable battery before changing the settings of the device, changing accessories or putting away the drill.
- Both the tool and the work pieces can become hot during drilling. Protect your hands and wait until the tool and the work-pieces have cooled off before you continue working.

**⚠ WARNING!****Risk of fire and damage!**

Only use the original rechargeable battery together with the drill. There is a risk of fire if you use another rechargeable battery.

- Only charge the rechargeable battery in chargers recommended by the manufacturer.
- Keep the rechargeable battery away from paper clips, coins, keys, nails or other small metallic objects that could bridge the contacts and cause a short-circuit.
- Only charge the rechargeable battery at an ambient temperature between 10 °C and 40 °C.
- The charged rechargeable battery can be used at temperatures from 0 °C to 50 °C.
- Store the rechargeable battery in a dry place at a temperature between 10 °C and 30 °C.
- Never open the rechargeable battery or the charger. Repairs may only be performed by specialist workshops, e.g. by the customer service of the manufacturer.
- Never attempt to recharge non-rechargeable batteries.

## Residual risks

Even if you use this tool in compliance with applicable regulations, residual risks cannot be ruled out. The following risks associated with the construction and design of this power tool may occur:

The following risks may arise due to the nature of the drill:

- a) Injury and damage to property caused by projected parts or tool adapters that break during use.
- b) Hearing loss due to wearing unsuitable ear protection or use over a prolonged period of time.
- c) Injury to health attributed to hand-arm vibrations if the power tool is used over a prolonged period of time or is not guided and maintained properly.

**Observe all safety notes properly and use the drill carefully to avoid the residual risks.**

 **WARNING!**

### Risk of injury!

This power tool generates an electromagnetic field during operation. Under certain circumstances, this field may affect active or passive medical implants.

- To reduce the risk of serious or fatal injury, we recommend persons with medical implants to consult their physician and the manufacturer of the medical implant before using the machine!

# First use

## Checking the drill and product contents.

1. Take the drill and accessories out of the color box.
2. Check whether the content is complete (see **fig. A-C**).
3. Check whether the drill or the individual parts show damage. If this is the case, do not use the drill. Contact the manufacturer at the service address specified on the warranty card.

## Removing and charging the rechargeable battery

### NOTICE!

### Risk of damage!

Operating the switch for the direction of rotation during operation could damage the drill.

- Make sure that the drill has come to a stop before you flip the switch for the direction of rotation.

You must charge the rechargeable battery before using it for the first time. To do so, proceed as follows:

1. Lock the On/Off switch **3**, by setting the switch for the direction of rotation **2** to the intermediate position (see **fig. D**). Check that the On/Off button is locked.
2. Push the release button **6** and pull the rechargeable battery **4** forward and out of the holder.
3. Connect the connector cord of the quick charger **13** with the jack in the charging cradle **12**.
4. Slide the rechargeable battery into the charging cradle until it audibly locks into place (see **fig. C**).
5. Connect the mains adapter to a properly installed socket. The power indicator of the quick charger will illuminate.  
The following operation modes are shown:
  - No rechargeable battery connected: GREEN;
  - The rechargeable battery is being charged: RED;
  - The rechargeable battery is fully charged: GREEN.
6. Pull the quick charger out of the socket once the rechargeable battery has been fully charged. A full charge will take 1 hour.
7. Push the release button and pull the rechargeable battery out of the charging cradle.

- Slide the rechargeable battery into the holder in the drill until you hear the locking mechanism engage.

As before, the switch for the direction of rotation must be in the intermediate position.

The rechargeable battery has been charged and inserted. You can now use the drill.

## Checking the charge level of the rechargeable battery

The rechargeable battery **4** has a charge level indicator **5** with four colour LEDs.

- Push the button for the charge level indicator **14** to activate the indicator. One or more LEDs will illuminate.

The following charge levels are shown:

- The rechargeable battery is fully charged: RED plus 3× GREEN.
- The rechargeable battery is partially discharged: RED plus 1 – 2 × GREEN.
- The rechargeable battery is discharged and must be recharged: RED.

## Clamping the drills and bits in and removing them

### CAUTION!

#### Risk of injury!

The drills and bits have sharp edges and may become hot during use.

- Always use gloves when clamping them in and removing them.



Only use drills **10** and bits **11** designed for this drill which can be securely clamped into the chuck **8**. This includes drills with a round shaft and a diameter of 1.5 to 10 mm as well as drills and bits with 1/4" outer hexagon shaft. Use a bit holder for other bits.

Proceed as follows to clamp drills or bits in place:

- Make sure that the drill is not operational.
- Lock the On/Off switch **3** by moving the switch for the direction of rotation **2** to the intermediate position (see **fig. D**).
- Open the chuck by turning it in a counterclockwise direction until you can insert a drill or bit (see **fig. E**).
- Insert the drill or bit in the chuck up to the stop point.

5. Turn the chuck clockwise until the drill or bit is firmly clamped in place.
  - To take the drill or bit back out after use, turn the chuck counterclockwise so that it is open again.

## Using the drill

### Changing speeds

#### NOTICE!

#### Risk of damage!

Switching gears during operation could damage the drill.

- Only push the speed selector switch when the drill has come to a stop.

The drill has a 2-speed gearbox for working with different materials. The drill operates at a low speed and with high torque in the first speed. This setting is used for drilling large hole diameters, for drilling in wood and plastic as well as for use as a screwdriver. The drill operates at a high speed and with low torque in the second gear. This setting is used for drilling with small hole diameters and for drilling in metal.

Proceed as follows to select a gear:

1. Make sure that the drill is not operational.
2. To select the first speed, slide the speed selector switch **1** towards the chuck **8**.  
The number “1” will appear on the speed selector switch.
  - To select the second speed, pull the speed selector switch away from the chuck.  
The number “2” will appear on the speed selector switch.

### Setting the torque

#### NOTICE!

#### Risk of damage!

Adjusting the torque during operation could damage the drill.

- Only set the torque if the drill is not in operation.

The torque can be adjusted separately from the speed for specific drilling and

screw-driving tasks. High torque is required for drilling. When screw-driving, on the other hand, the torque must be reduced to prevent damaging screws or sensitive materials.

Proceed as follows to set the torque:

- To set the torque to a higher setting, turn the torque control **9** counterclockwise.
- To set the torque to a lower setting, turn the torque control clockwise.

## Setting the torque for screw-driving

1. Make sure that the drill is not operational.
2. To lock the On/Off switch **3** move the switch for the direction of rotation **2** to the intermediate position (see **fig. D**).
3. Turn the torque control **9** clockwise until the arrow on the housing points to the "1" mark.

In this position, the torque clutch will slip as soon as the chuck is subjected to slight stress.

4. Select a higher torque setting (depending on the material and the diameter of the screw head) as needed by turning the torque control counterclockwise.

## Setting the torque for drilling

1. Make sure that the drill is not operational.
2. To lock the On/Off switch **3** move the switch for the direction of rotation **2** to the intermediate position (see **fig. D**).
3. Turn the torque control **9** clockwise until the arrow on housing points to the drill symbol.

The torque clutch will not slip in this position and you can drill at full power.



To determine which torque is suitable for the task, first perform a test on a test object that can be damaged.

## Setting the direction of rotation

You can use the switch for the direction of rotation **2** to set the direction of rotation for the drill. You can switch between right-handed rotation (clockwise rotation) and left-handed rotation (counterclockwise rotation) (see **fig. D**).

1. Make sure that the drill is not operational.
2. You have the following possibilities for setting the rotation in the desired direction:
  - To set the drill to right-handed rotation, push the switch for the direction of rotation on the right side all the way into the housing.

- To lock the On/Off switch **3** move the switch for the direction of rotation to the intermediate position.
- To set the drill to left-handed rotation, push the switch for the direction of rotation on the left side all the way into the housing.

## Switching the drill on and off

### NOTICE!

#### Risk of damage!

Improperly protecting the drill may damage it.

- To prevent the drill from accidentally switching on and causing damage, always lock off the on/off trigger by switching the direction of rotation to the intermediate position, after use.

### ⚠ WARNING!

#### Risk of electric shock!

Improper handling of the drill may result in an electric shock.

- Before you start working with the drill, make sure that all electrical lines in the work area – on walls, floors or on the ceiling – are switched off using the main switch.

### ⚠ WARNING!

#### Risk of injury!

- Never point directly at people or animals and never look into the beam.
  1. Wear protective clothing. Wear ear protection and protective goggles.
  2. Check whether the drill or bit is securely clamped in.
  3. To unlock the On/Off switch **3**, push the switch for the direction of rotation **2** to the left or right (see chapter “Setting the direction of rotation”).
  4. Push the On/Off switch to switch the drill on.
- For continuous operation, hold the On/Off switch down.

- You can adjust the speed by pressing the On/Off switch down. The further down you push the switch, the higher the speed.  
The built-in LED work light **7** is active during operation in order to illuminate the work piece.
- 5. Release the On/Off switch to switch the drill off.
- 6. To prevent the drill from accidentally switching on, always set the switch for the direction of rotation to the intermediate position.  
The On/Off switch is now locked.

## Cleaning

### **⚠ WARNING!**

#### **Risk of electric shock!**

Improperly cleaning the drill may result in an electrical shock.

- Let the drill cool off completely each time before you clean it!
- Pull the quick charger out of the socket.
- Make sure that no water penetrates inside of the drill.

### **NOTICE!**

#### **Risk of damage!**

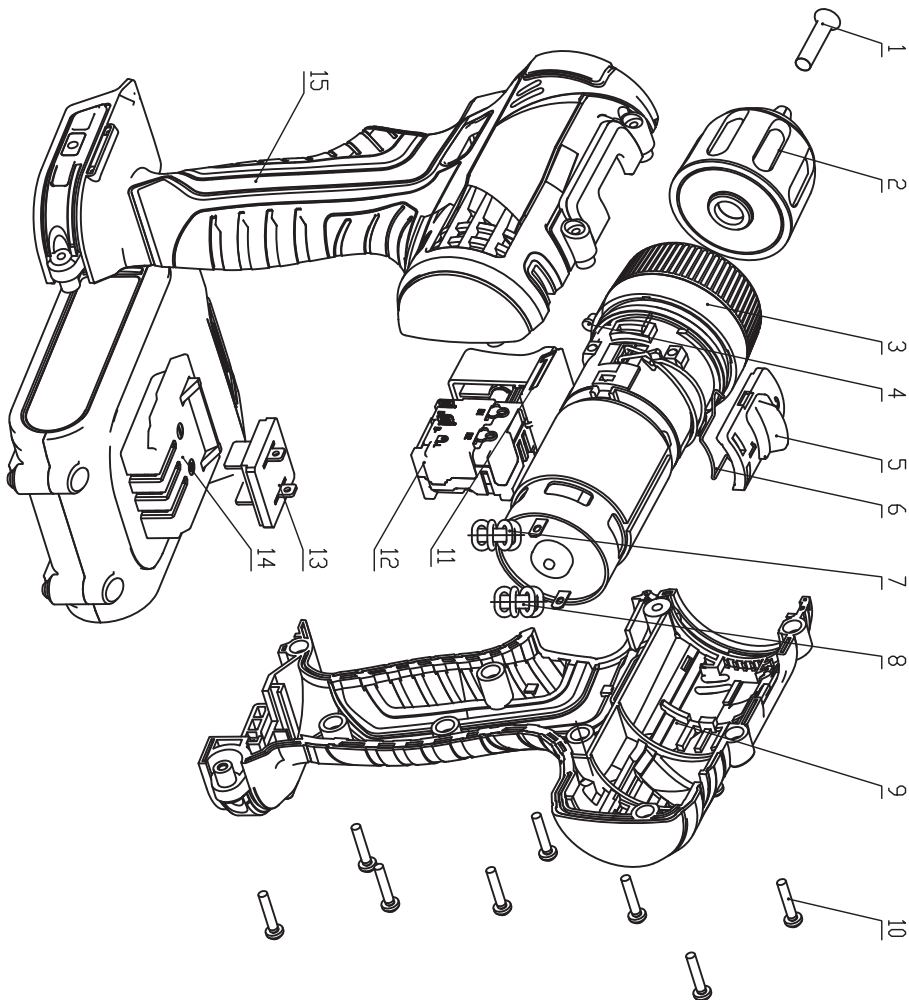
Improperly cleaning the drill can cause damage.

- Do not use any aggressive cleaners, solvent-based cleaners or sharp or metallic cleaning utensils such as knives, hard scrapers and the like. They could damage the surfaces of the drill.
- 1. Brush off the drill and wipe clean with a damp cloth.
- Always keep the vents on the housing free of dust to prevent the drill from overheating.
- 2. Dry the drill and the tools with a soft, dry cloth.

## Storage

Store the drill, the rechargeable battery, the quick charger, the charging cradle and the tools in a dry area that is not accessible for children.


## Construction



Number	Name
1	Countersunk cross-slotted screws
2	Chuck
3	Gearbox with motor
4	LED work light
5	Speed selector switch
6	Clamping element for the speed selector switch
7	Inductance coil (black)
8	Inductance coil (red)
9	Housing (right side)
10	Screw
11	Switch for the direction of rotation
12	Switch components
13	Plug
14	Rechargeable battery
15	Housing (left side)

## Technical data

### Drill

Model:	D019
Nominal voltage:	18 V 
Idle speed 1st/2nd speed:	0–350/0–1300 rpm
Drill sizes that can be used:	1.5–13 mm
Maximum drilling capacity:	Steel $\varnothing$ 10 mm Wood $\varnothing$ 30 mm
Sound pressure level:	while idle 70 dB(A), K = 3.0 dB(A)
Sound power level:	while idle 81 dB(A), K = 3.0 dB(A)
Vibration emissions:	Drilling in metal $a_{h,D} = 1.260 \text{ m/s}^2$ , K=1.5m/s <sup>2</sup>

## Rechargeable battery

Model:	J0Z-SP01-1018-1
Voltage:	18 V ===
Battery type:	Li-Ion batteries, 1.5 Ah

## Quick charger

Model number:	JLH292101500B
Input:	100–240 V~, 50/60 Hz, 50W
Output:	21 V === 1.5A
Charging time:	1 hour
Protection class:	□

## Noise/vibration information



### Health hazard!

- Wear ear protection and suitable protective clothing when working with the device.

### Noise emission levels

Measured in accordance with EN 60745. The noise at your workplace may exceed 85 dB (A); protective measures are necessary in this case (wear suitable ear protection).

- Sound pressure level: while idle  $L_{pA}$  70 dB(A)
- Sound power level: while idle  $L_{WA}$  81 dB(A)
- Uncertainty: K 3.0 dB (A)

The aforementioned values are noise emission values and therefore, do not necessarily represent safe values for the workplace at the same time. The correlation between emission and imission levels cannot reliably provide for a conclusion as to whether additional cautionary measures are necessary or not.

Factors that could affect the respective imission level present at the workplace involve the specification of the work area, the surrounding area, the duration of exposure, other noise sources etc.

You must also observe any divergences in national regulations with respect to the permissible workplace levels. The aforementioned information does, however, allow the user to better assess dangers and risks.

## Vibration levels

Total vibration value at the handle

Vibration value when drilling  $a_{h,D}$ : 1.260 m/s<sup>2</sup>

Measurement uncertainty: 1.5 m/s<sup>2</sup>

The specified vibration emission level was measured on the basis of a standardised test procedure and can be used to compare power tools with one another.

The specified vibration emission level may also be used in a preliminary assessment of exposure.

### Attention!

While actually using the power tool, the vibration emission level may differ from the level specified depending on how the power tool is used.

Safety measures must be defined to protect the operator. They must be based on an assessment of exposure during actual usage conditions (all parts of the operating cycle must be accounted for, e.g. periods when the power tool is switched off and when it is switched on, but not operating under load).

Reduce the vibration risk by

- wearing protective gloves during use and
- limiting the working time and reducing the actual operation time.

# Declaration of conformity

## EC DECLARATION OF CONFORMITY

**We,**

SUMEC Hardware & Tools Co., Ltd.  
 1 Xinghuo RD., Nanjing, China  
 And our branch office  
 SUMEC UK Co., Ltd.  
 Unit A&B, Escrick Business Park  
 Escrick, York YO 19 6FD

**Declare that the product**

18V li-ion cordless drill  
 Model No: D019  
 Manufacture Model No.: D019  
 Function: drilling  
 Serial number :00001---35644

**Complies with the following directives:**

EMC Directive: 2014/30/EU  
 Machinery Directive: 2006/42/EC  
 RoHS Directive 2011/65/EU  
 WEEE Directive 2012/19/EU  
 REACH Regulation

**Standards conform to:**

EN 60745-1:2009+A11:2010  
 EN 60745-2-1:2010  
 EN 60745-2-2:2010  
 EN 55014-1:2006+A1+A2  
 EN 55014-2:2015

**We additionally confirm the following in accordance with the 2000/14/EC emissions guideline:**

Conformity Assessment Procedure as Per Annex VI,  
 Measured sound pressure level LpA: 70 dB (A) ,k=3 dB (A)  
 Measured sound power level LwA: 81 dB (A) ,K=3 dB (A)

Authorized Signatory  
 Date: 28-11-2016  
 Signature:   
 Name: Mr. Liu Kai  
 General Manager  
 SUMEC Hardware & Tools Co., Ltd.



# Disposal

## Disposing of the packaging



Dispose of the packaging separated into single type materials. Dispose of cardboard and carton as waste paper and foils via the recyclable material collection service.

## Disposing of old devices

(Applicable in the European Union and other European states with systems for the separate collection of reusable waste materials)



### **Old devices must not be disposed of with household waste!**

If the drill can no longer be used, every user is required by law **to dispose of old devices separately from their household waste**, e.g. at a collection point in their community/borough. This ensures that old devices are recycled in a professional manner and also rules out negative consequences for the environment. For this reason, electrical devices are marked with the above symbol.



### **Batteries and rechargeable batteries must not be disposed of with household waste!**

As the end user you are required by law to bring all batteries and rechargeable batteries, regardless whether they contain harmful substances\* or not, to a collection point run by the communal authority or borough or to a retailer, so that they can be disposed of in an environmentally friendly manner.

**Li-ion**

Turn in the rechargeable battery at your collection point in a discharged state only!

\* labelled with: Cd = cadmium, Hg = mercury, Pb = lead

# WORKZONE WARRANTY CARD

## 18V LITHIUM-ION CORDLESS DRILL

Your details:

Name \_\_\_\_\_

Address \_\_\_\_\_

\_\_\_\_\_

\_\_\_\_\_

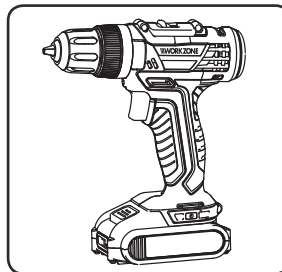
 \_\_\_\_\_ E-mail \_\_\_\_\_

Date of purchase\* \_\_\_\_\_

\* We recommend you keep the receipt with this warranty card.

Location of purchase \_\_\_\_\_

Description of malfunction:



If after contacting the manufacturer you are requested to return the faulty product please return the completed warranty card together with it.

Unit A&B  
 Escrick Business Park  
 Escrick  
 York  
 YO19 6FD  
 UNITED KINGDOM

**AFTER SALES SUPPORT**

 GB 01904 727501  support@coreservice.co.uk  
 IRE 019022605

MODELL: D019 PRODUCT CODE: 75781 02/2017

Phone lines available  
 Monday to Friday, 8am - 6pm.  
 Calls cost 10p per minute from  
 a landline, calls from mobiles  
 may vary.



---

## Warranty conditions

Dear Customer,

The **ALDI warranty** offers you extensive benefits:

**Warranty period:** **3 years** from date of purchase.

**Costs:** Free repair/exchange.  
No transport costs.

**ADVICE:** Please contact our service hotline by phone, e-mail or fax before sending in the device. This allows us to provide support in the event of possible operator errors.

### In order to make a claim under the warranty, please send us:

- the faulty item together with the original purchase receipt and the completed warranty card.
- the product with all components included in the packaging.

---

### The warranty does not cover damage caused by:

- **Accident or unanticipated events** (e.g. lightning, water, fire).
- **Improper use or transport.**
- **Disregard of the safety and maintenance instructions.**
- Other **improper treatment or modification.**
- Faults due to **accidents, customer misuse or unauthorized repairs**
- **Consumable Parts** such as drills, bits, batteries and **other accessories** that are compatible with the product and subject to **wear and tear.**
- Failure due to **lack of routine maintenance.**
- Failure as a result of **not using the equipment in accordance with the manual and safety instructions**
- The **adjustment of cables, drives gears or motors.**

After the expiry of the warranty period, you still have the possibility to have your product repaired at your own expense. If the repair or the estimate of costs is not free of charge you will be informed accordingly in advance.

This warranty does not affect your statutory rights.

---