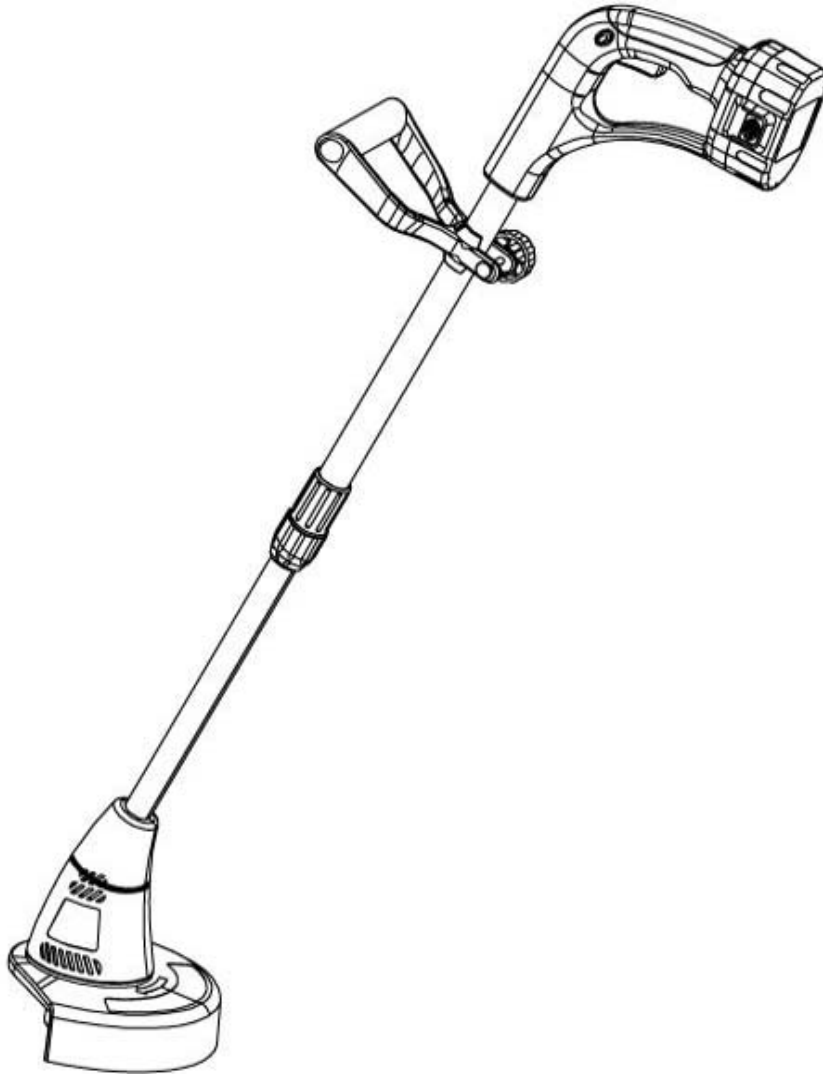




Cordless Grass Trimmer



N0E-2ET-230



OPERATING INSTRUCTIONS

ORIGINAL INSTRUCTIONS

INTRODUCTION

Thank you for purchasing a SOVEREIGN grass trimmer.

We hope you are completely satisfied with your new product and hope you will enjoy using this tool for many years.

Your N0E-2ET-230 Grass Trimmer has been designed for trimming light foliage and is intend for DIY use only.

GENREARL POWER TOOL SAFETY WARNINGS



WARNING!

Read all instructions. Failure to follow all instructions listed below may result in electric shock, fire and/or serious injury. The term "power tool" in all warnings listed below refers to your mains operated power tool.

- 1. Read the instruction carefully.** Be familiar with the controls and the correct use of the appliance. Read and understand the operator's manual and observe the warnings and instruction labels affixed to the appliance.
- 2. Users.** Never allow children or people unfamiliar with these instructions to use the appliance. Local regulations may restrict the age of operator. Never operate the tool under the influence of alcohol, medication or drugs.
- 3. Use appropriate tool.** This device is only intended for trimming grass outdoors and only designated for use on private property. Do not force small tools or attachments to do the job of a heavy duty tool.
- 4. Keep work areas clean.** Cluttered areas can cause accidents.
- 5. Consider work area environment.** Do not expose the tool to high humidity or rain. Do not use the tool in damp and wet conditions. Keep the work area well lit. Do not use the tool where there is a risk of causing fire or explosion, e.g. in the presence of flammable liquids and gases.
- 6. Keep all bystanders, children, and pets away.** The operator or user is responsible for accidents or hazards occurring to other people or the property.
- 7. Dress appropriately.** Do not wear loose clothing or jewelry, as these can be caught in moving parts. Preferably wear non-slip

footwear when working outdoors. Wear protective hair covering to keep long hair out of the way.

8. Head protection. Always use safety glasses and gloves. Use a face or dust mask whenever the operations may produce dust or flying particles. Wear ear protection whenever the sound level seems uncomfortable.

9. Do not overreach. Keep proper footing and balance at all times.

10. Stay alert, watch what you are doing. Use common sense when operating the appliance. Do not operate the tool when you are tired.

11. Grip the tool securely. Operator should have one hand on the main handle, the other on the front handle. Keep finger off trigger until ready to use.

12. Remove adjusting keys and wrenches. Always check that adjusting keys and wrenches are removed from the tool before operating the tool.

13. Risk of cut. Do not touch or try to stop the nylon line when it is rotating.

14. Disconnect the battery. Disconnect battery from the tool when not in use or when servicing or cleaning.

15. Check for damaged parts. Before further use, carefully check the tool for damage. Check for alignment of moving parts, binding of moving parts, breakage of parts, mounting and any other condition that may affect its operation.

Do not use the tool if any parts are damaged or defective. Have any damaged or defective parts repaired or replaced by an authorized service agent. Never attempt any repairs yourself.

16. Store idle tools. When not in use, tools should be stored in a dry, locked-up place out of reach of children.

17. Maintain tools with care. Keep tools clean and in good condition for better and safer performance. Follow the instructions for maintenance and changing accessories. Keep handles and switches dry, clean and free from oil and grease.

18. Have your tool repaired by an authorized service agent. This tool is manufactured in accordance with the relevant safety regulations. To avoid danger, electrical appliances must only be repaired by qualified technicians.

ORIGINAL INSTRUCTIONS



WARNING!

Do not use any attachments or accessories not recommended by the manufacturer of this tool. The use of attachments or accessories not recommended can result in serious personal injury.

ADDITIONAL SAFETY INSTRUCTIONS FOR BATTERIES AND CHARGERS

Batteries

1. Never attempt to open for any reason.
 2. Do not expose to water.
 3. Do not incinerate the battery pack even if it is severely damaged or is completely worn out. The battery pack can explode in a fire.
 4. Do not store in locations where the temperature may exceed 40°C.
 5. Do not leave the battery pack in the charger when the charging is finished, otherwise battery leakage may occur.
 6. Charge only at room temperature.
 7. Charge only by using the charger provided with the tool (see technical data).
 8. Before charging, make sure that the battery is dry and clean.
 9. Use only the correct type of battery for the tool (see technical data).
 10. When dispose of batteries follow the instructions given in the section "protecting the environment".
 11. Under extreme conditions, battery leakage may occur. When you notice liquid on the battery, proceed as follows:
 - Carefully wipe the liquid off using a cloth. Avoid skin contact.
 - In case of skin or eye contact, follow the instructions below.
 - The battery fluid, a 25-30% solution of potassium hydroxide, can be harmful. In case of skin contact, immediately rinse with water. Neutralize with a mild acid such as lemon juice or vinegar. In case of eye contact, rinse abundantly with clean water for at least 10 minutes. Consult a physician.
- NOTE:** the batteries in your battery charger are the nickel-cadmium type. Cadmium is considered to be a toxic material by the

Environmental Protection Agency. Before disposing of damaged or worn out Nickel-Cadmium battery packs, check with your local Environmental Protection Agency to find out about special restrictions on the disposal of these battery packs or return them to a certified service center for recycling.

Chargers

1. Charger's plug must match the outlet. Never modify the plug in any way. Unmodified plugs and matching outlets will reduce risk of electric shock.
2. Use your charger only to charge batteries of the type supplied with your tool. Other batteries could burst, causing personal injury and damage.
3. Only 2 battery packs are allowed to be charged continuously in order to prevent overheating of charger, necessary rest time is required to let the charger cool down before further charging.
4. When charging is finished, unplug the charger from mains socket outlet and take away the battery pack from the charger, do not leave the battery pack in the charger.
5. Never carry the charger by its cord or pull it to disconnect from the socket. Keep the cord away from heat, oil and sharp edges.
6. Never attempt to charge non-rechargeable batteries.
7. The cord of the charger is not changeable, do not continue to use if the cord is damaged.
8. Do not expose to water or rain, do not use in wet condition.
9. Do not open the charger.
10. Do not probe the charger.
11. Intended for indoor use only.

ADDITIONAL SAFETY INSTRUCTIONS FOR GRASS TRIMMERS

1. Wear safety goggles when operating this tool.
2. Wear gloves when operating this tool.
3. Do not expose the tool to rain or high humidity.
4. Be familiar with the controls and proper use of trimmer.
5. Never allow children or people unfamiliar with the instructions to use the trimmer.

ORIGINAL INSTRUCTIONS

6. Keep children, other people and pets away from the trimmer; the grass which is cut and dispersed may contain stones and debris. Stop using the trimmer while people, especially children, or pets are nearby.

7. Do not let other people or animals come within 15 feet of the trimmer when in use.

8. Only use the trimmer in daylight or good artificial light.

9. Before using the trimmer and after any impact, check for signs of wear or damage and repair as necessary; Do not use the trimmer if the cutting device is not secured properly or is damaged.

10. Always check the good working order of the trimmer which, if not adequate, could endanger the user.

11. Never operate the trimmer with damaged guards or without the guards in place.

12. Before starting the trimmer, make sure that the nylon line is not touching stones or debris.

13. Keep hands and feet away from the cutting means at all times and especially when switching on the motor.

14. Take care against injury from the cutter blade fitted for trimming the filament line length. After extending new cutter line always return the trimmer to its normal operating position before switching on.

15. Never fit metal cutting elements.

16. Never use replacement parts or accessories not provided or recommended by the manufacturer.

17. Remove the battery before checking, cleaning or working on the trimmer and when it is not in use.

18. Always ensure that ventilation openings are kept clear of debris.

19. To avoid unintentional starting, do not carry the machine with a finger on the on/off switch.

20. Remain in a stable and secure position while operating the trimmer.

21. Keep the area being cut free from wires, stones and debris.

22. Do not cut against hard objects. This could cause injury or damage the trimmer.

23. **Warning!** Cutting elements continue to rotate after the motor is switched off.

24. Do not try stopping the cutting device (nylon line) with your hands. Always let it come to a stop by itself.

25. Do not use the trimmer to cut grass which is not in contact with the ground; for example

do not cut grass which is on walls or rocks etc.
26. Do not cross roads or gravel paths with the trimmer still running.

ORIGINAL INSTRUCTIONS

SYMBOLS

Symbols are used in this manual to attract your attention to possible risks. The safety symbols and the explanations which accompany them must be perfectly understood. The warning themselves do not prevent the risks and can not be a substitute for proper methods of avoiding accidents.



Before any use, refer to the corresponding paragraph in the present manual.



Warning!



Wear ear protection.



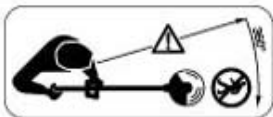
Wear eye protection.



Wear dust mask.



Do not expose to rain.



Keep bystanders away.



Do not dispose of batteries in rivers or immerse in water.



Do not dispose of batteries in a fire. They will explode and cause injury.



Ni-Cd

Contains NI-CD battery. Battery must be recycled or disposed of properly.



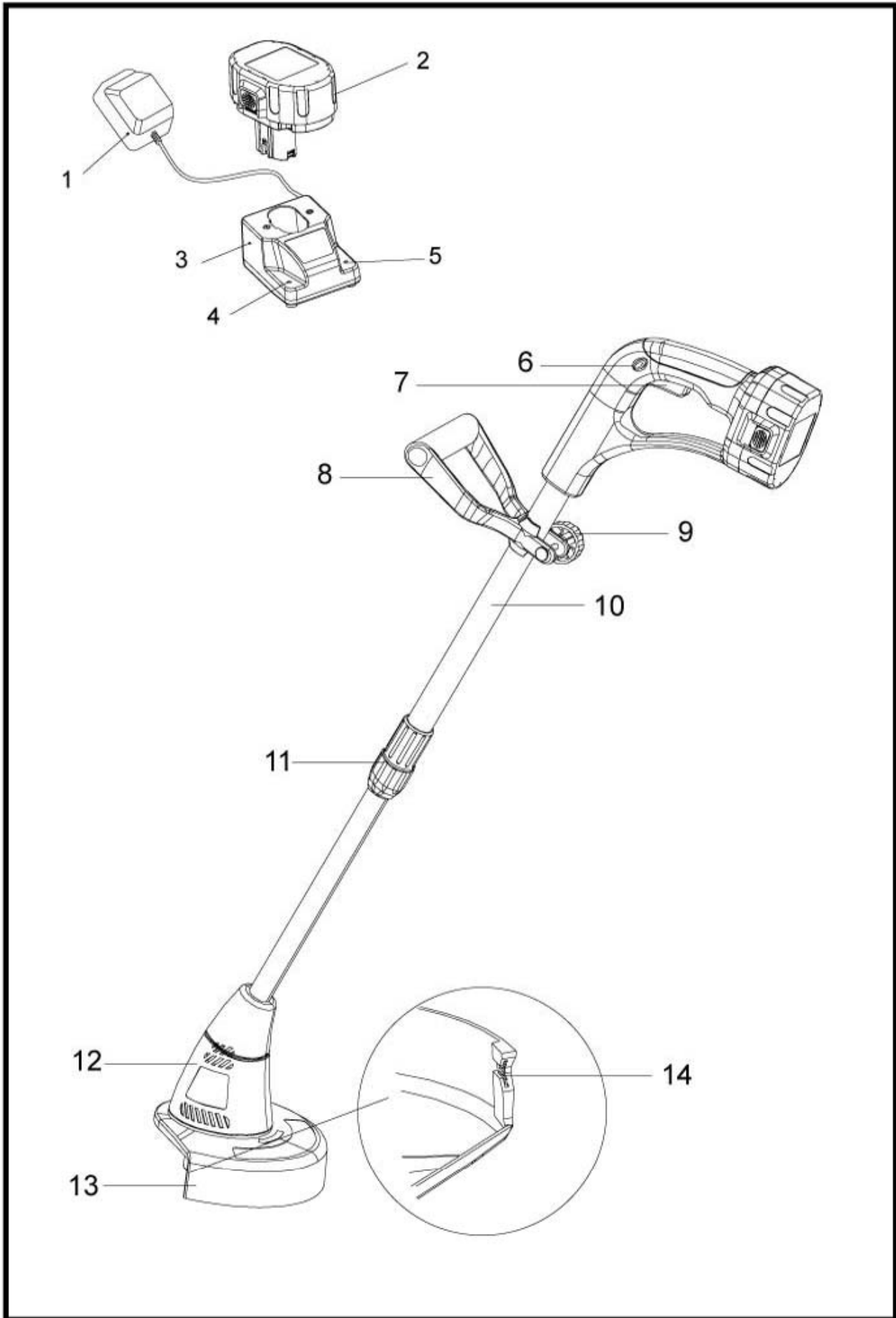
Ni-Cd

Do not dispose of batteries. Return exhausted batteries to your local collection or recycling point.



Waste electrical products should not be disposed of with household waste. Please recycle where facilities exist. Check with your Local Authority or retailer for recycling advice.

ORIGINAL INSTRUCTIONS



ORIGINAL INSTRUCTIONS

-
1. Charger

 2. Battery Pack

 3. Charger Base

 4. Green LED (Indicates Power On)

 5. Red LED (Indicates Tool is Charging)

 6. Switch Lock

 7. On/Off Switch

 8. Front Handle

 9. Front handle Knob

 10. Telescopic Tube

 11. Height Adjustment Knob

 12. Motor Housing

 13. Protection Guard

 14. Line Blade
-

ORIGINAL INSTRUCTIONS

OPERATION INSTRUCTIONS



Note: Before using the tool, read the instruction book carefully.

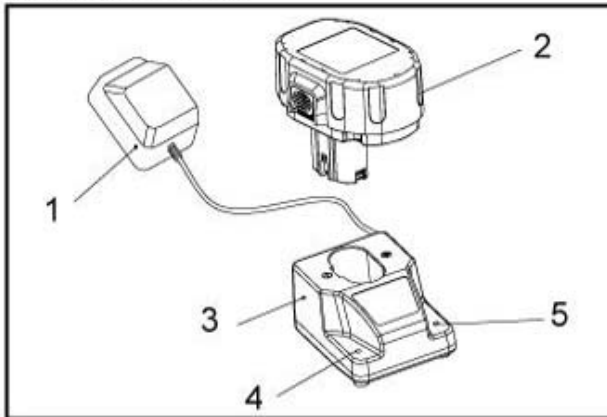
CHARGING THE BATTERY (FIG. A)



WARNING!

The charger and battery pack are specifically designed to work together so do not attempt to use any other devices. Never insert or allow metallic objects into your charger or battery pack connections because an electrical failure and hazard will occur.

The battery needs to be charged before first use and whenever it fails to produce sufficient power on jobs that were easily done before. When charging the battery for the first time, or after prolonged storage, it will only accept an 80% charge. After several charge and discharge cycles, the battery will attain full capacity. The battery may become warm while charging, and this is normal and does not indicate a problem.



A

Remove the battery from the tool and insert it into the charge base (3). The battery pack will only fit into the charge in one way. Do not force. Be sure that battery is fully seated in the charger base.

1. Charging procedure

These chargers require no adjustment and are designed to be as easy as possible to operate. Simply place your battery pack into the

receptacle of a plugged in charger and it will automatically charge the pack.

- 1). Connect the transformer (1) to the charger base (3).
- 2). Plug the transformer into an appropriate AC power outlet. The green LED (POWER) (5) lights to tell you that the charger is ready for use.
- 3). Insert the battery pack (2) into the charger, as shown in Fig A, making sure the pack is fully seated in the charger. The red LED (CHARGE) (4) lights to tell you that the battery pack is on charge.
- 4). The battery pack will be fully charged in about 3-5 hours, and the red LED will be off.

2. Important charging notes

Longest life and best performance can be obtained if the battery pack is charged when the air temperature is between 18-24°C. Do not charge the battery pack in a very low or very high air temperature. This is important and will prevent serious damage to the battery pack.

- 1). The charger and battery pack may become warm to touch while charging. This is a normal condition, and does not indicate a problem.
- 2). Use the charger in normal room temperatures whenever possible. To prevent overheating, do not cover the charger and do not charge battery packs in direct sunlight or near heat sources.
- 3). If the battery pack does not charge properly:
 - a) Check current at receptacle by plugging in a lamp or other appliance.
 - b) Move charger and battery pack to a location where the surrounding air temperature is approximately 18-24°C.
 - c) If charging problems persist, take or send the tool, battery pack and charger to your local service center.
- 4). The battery pack should be recharged when it fails to produce sufficient power on jobs which were easily done previously. DO NOT CONTINUE to use under these conditions. Follow the charging procedure. You may also charge a partially used pack whenever you desire with no adverse affect on the battery pack.
- 5). Under certain conditions, with the charger

ORIGINAL INSTRUCTIONS

plugged in to the power supply, the exposed charging contacts inside the charger can be shorted by foreign material. Foreign materials of a conductive nature such as, but not limited to, steel wool, aluminum foil, or any buildup of metallic particles should be kept away from charger cavities. Always unplug the charger from the power supply when there is no battery pack in the cavity. Unplug charger before attempting to clean.

6). Do not immerse charger in water or any other liquid.



WARNING!

Don't allow any liquid to get inside charger. Electric shock may result. To facilitate the cooling of the battery pack after use, avoid placing the charger or battery pack in a warm environment such as in a metal shed, or an uninsulated trailer.

CAUTION!

Never attempt to open the battery pack for any reason. If the plastic housing of the battery pack breaks or cracks, return to a service center for recycling; do not put it into further use.

NOTE: When the charging is finished, do not leave your battery on charge continuously. This may damage the battery cells. If the battery pack is very hot you must allow it to cool first to ambient temperature and then recharging can be started. If you charge a second battery pack immediately after the first one, then the charger adapter can be overheated. Always allow at least 15 minutes rest between battery pack charging.

WARNING!

NEVER TO LEAVE THE BATTERY AND CHARGER UNATTENDED WHEN CHARGING THE BATTERY.

WARNING!

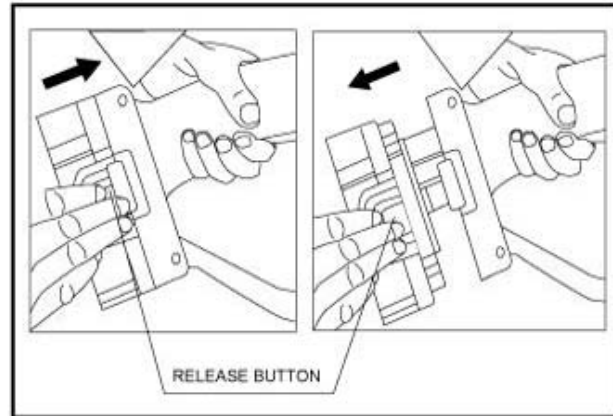
TO AVOID THE SHORT CIRCUIT OF THE BATTERY PACK, DON'T TOUCH THE BATTERY TERMINALS WITH RINGS AND OTHER METALLIC OBJECTS.

TO REMOVE OR INSTALL BATTERY PACK (FIG. B)



WARNING!

Before assembly, remove the battery pack from the tool.



B

Your grass trimmer is equipped with a battery pack, which powers the unit.

1. To fit battery pack

- 1). Place battery pack in your grass trimmer. Align raised rib on battery pack with groove inside grass trimmer. See Figure B.
- 2). Make sure the latches on each side of your battery pack snap in place and the battery pack is secured in grass trimmer before beginning operation.

2. To remove battery pack

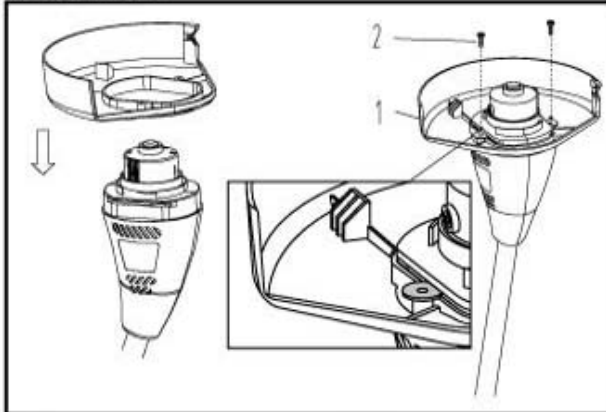
- 1). Locate latches on end of battery pack and depress to release battery pack from your grass trimmer.
- 2). Remove battery pack from your grass trimmer.

ORIGINAL INSTRUCTIONS

ASSEMBLY INSTRUCTIONS

1. Guard installation(FIG. C1, C2)

- 1). Remove two screws and washers from the guard.
- 2). Position the motor housing with string head carrier facing up.(Figure C1)
- 3). Slide guard over motor housing.(Figure C1)
- 4). Install two washers 1 in the correct position.(Figure C2)
- 5). Re-insert the screws 2 through the trimmer head and into the guard and tighten as shown in figure C2.

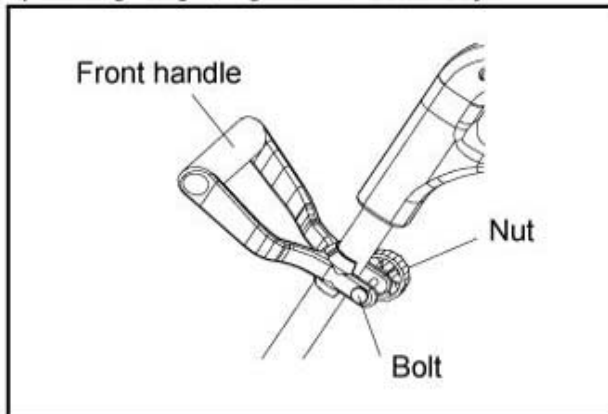


C1

C2

2. Attach front handle (FIG. D)

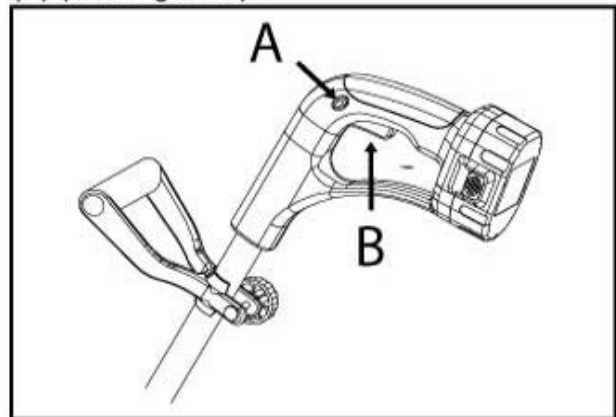
- 1). Insert the handle in comfortable position and lightly tighten.
- 2). Before tightening completely, adjust the front handle height by sliding handle up or down tube. When front handle is at desired operating height, tighten nut securely.



D

OPERATION(FIG. E)

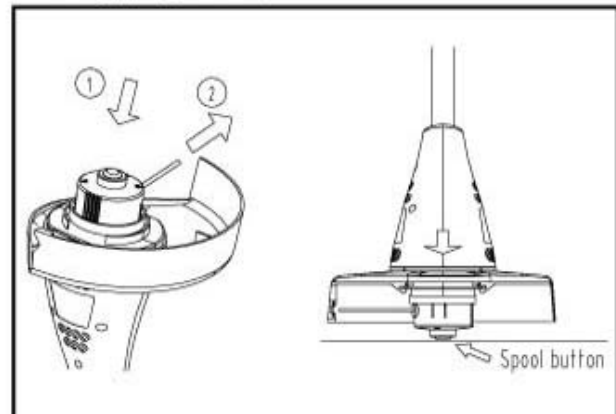
Grip rear handle and press trigger lock-off button (A) with thumb then pull trigger switch (B).(See Figure E)



E

STARTING

1. When starting the lawn trimmer for the first time, check that the nylon lines touch or pass over the wire cutting blade. If they are not long enough, (1). press the button (2).pull more nylon wire to lengthen.(Figure F1)
2. The lengthened nylon line will be cut to size automatically by the wire cutting blade once the string trimmer is turned on.
3. During use, the nylon line will become shortened or worn. To automatically lengthen or advance the nylon cutting line, tap the spool button lightly on ground (while the unit is running).(Figure F2)



F1

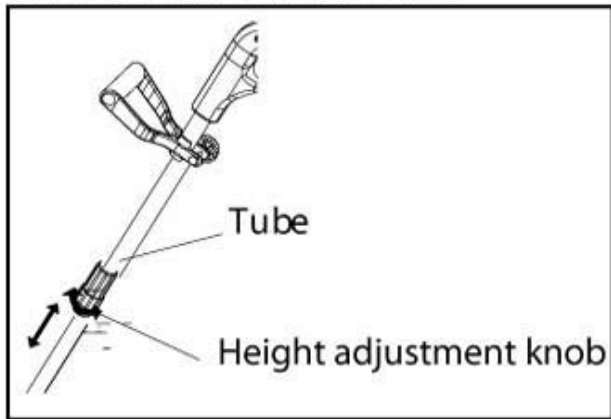
F2

4. The length of the grass trimmer can be infinitely varied and therefore adjusted to your individual height (Figure G):

- 1). Hold the tube with one hand, then loosen the height adjustment knob.
- 2).Set the handle to the correct length and

ORIGINAL INSTRUCTIONS

tighten the height adjustment knob.

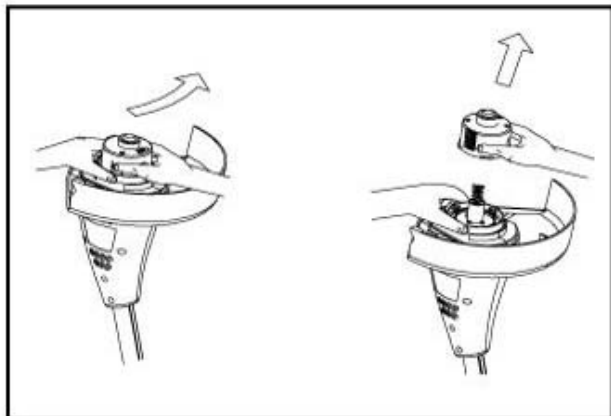


G

REPLACE THE SPOOL OF NYLON LINE

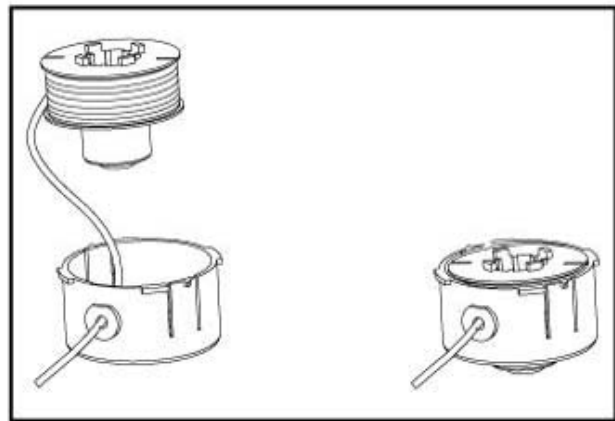
1. Remove the battery.
2. Remove the spool assembly from the trimmer. To do so, hold the outer ribbed part of the assembly with one hand, while pushing down and turning the spool head with the other to unlock it (Figure H). The spool carrier and spool will now disassemble easily.

Note: There is a spring inside the head that could easily be lost. Ensure that it is put in a safe place.



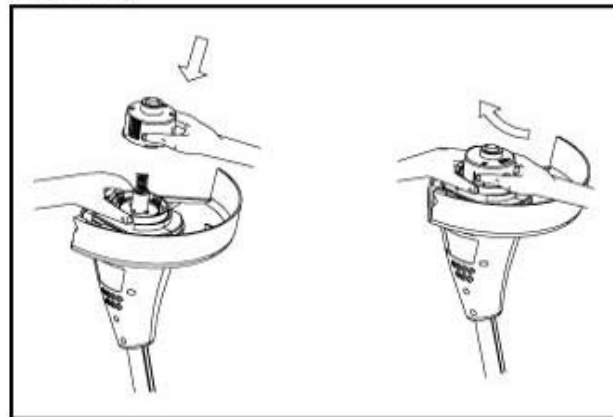
H

3. Choose either OPTION 1 or OPTION 2 below for spool or line replacement.
4. Insert the line through the eyelet in the spool carrier and slide the spool into it. (Figure I)



I

5. Making sure to insert the spring, assemble the spool and spool carrier back onto the trimmer. To do so, push the head on and turn it clockwise until it locks. You will hear a "click". (Figure J)



J

6. To test if the line is advancing properly, push the button with your thumbs while pulling the wire with your fingers. The line should advance freely.

OPTION 1: ACCESSORY REPLACEMENT SPOOL

Use replacement spool.

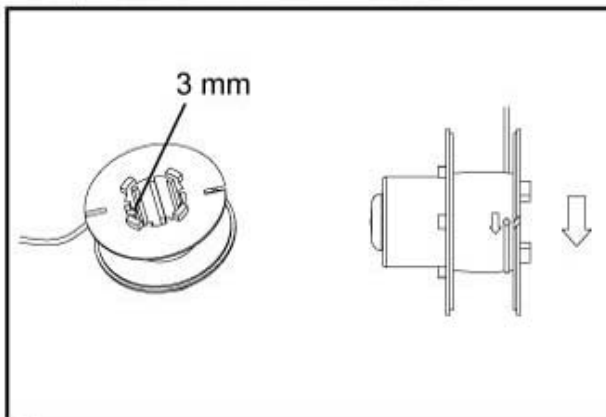
OPTION 2: REWINDING SPOOL USING LINE

Line for your trimmer is available at extra cost from your local dealer. To install line, follow the steps below (Use 1.2mm diameter round Nylon line only).

1. Insert one end of line into the hole in the spool as shown Figure K about 3 mm.

ORIGINAL INSTRUCTIONS

2. Snugly and evenly wind the line onto the spool in the direction of the arrow on the spool,(Figure K),until the line builds up to the notches in the spool rim. Do not overfill spool. The spool holds about 6.5 m of line.



K

MAINTENANCE

Always remove the battery pack before cleaning or repair.

Never use water or chemical cleaners to clean the unit.

Your grass trimmer requires no additional lubrication or maintenance.

Always clean the grass trimmer immediately after use.

Always store the grass trimmer in a dry place.

Inspect the grass trimmer before each use.

Have the unit professionally repaired if any damage occurs.


Keep the motor ventilation slots clean.

Keep all working controls free of dust.

TECHINICAL DATA

Model No.	N0E-2ET-230
Voltage	Ni-Cd
Battery type	18VDC
No-load speed	8000 /min
Cutting width	230 mm
Battery capacity	1300 mAh
Battery charging time	3-5 hours

NOISE AND VIBRATION DATA

A weighted sound pressure	82dB(A) K _{PA} : 3dB(A)
A weighted sound power	94dB(A) K _{WA} : 3dB(A)
Wear ear protection	
Typical weighted vibration	2.3m/s ² K=1.5m/s ²

ORIGINAL INSTRUCTIONS



WARNING!

The vibration emission value during actual use of the power tool can differ from the declared value depending on the ways in which the tool is used dependant on the following examples and other variations on how the tool is used:

How the tool is used and the materials being cut.

The tool being in good condition and well maintained.

The correct accessories for the tool are being used and are in good condition.

The tightness of the grip on the handles and any anti vibration accessories are used.

And the tool is being used as intended by its design and these instructions.

This tool may cause hand vibration syndrome if the use is not adequately managed.



WARNING!

To be accurate, an estimation of exposure level in the actual conditions of use should also take account of all parts of the operating cycle such as the times when the tool is switched off and when it is running idle but not actually doing the job. This may significantly reduce the exposure level over the total working period.

Help to minimize your vibration exposure risk.

Maintain this tool in accordance with these instructions and keep well lubricated (where appropriate).

If the tool is to be used regularly then invest in anti vibration accessories.

Plan your work schedule to spread any high vibration tool use across a number of days.

ENVIRONMENTAL PROTECTION



Waste electrical products should not be disposed of with household waste. Please recycle where facilities exist.

Check with your Local Authority or retailer for recycling advices.

GUARANTEE

This product is selected for DOMESTIC USE ONLY and not for business use. This product is guaranteed against manufacturing defects for a period of 12 months. This does not cover the product where the fault is due to misuse, abuse, use in contravention of the instructions, or where the product has been the subject of unauthorised modifications or alterations, or has been the subject of commercial use. In the event of a problem with the product within the guarantee period please return it to your nearest Homebase store. If the item is shown to have an inherent defect present at the time of sale, the store will provide you with a replacement. Your statutory rights remain unaffected.