



Keeping Britain green and pleasant since 1920

41cm 18V 1.5Ah Cordless Pole Hedge Trimmer 407635



Instruction Manual



IMPORTANT! Please read these instructions fully before starting assembly.

These instructions contain important information that will help you get the best from your product, ensuring it is assembled correctly and safely. If you need help or have damaged or missing parts, call the Customer Helpline on **01904 727 500**.

Contents

General Safety Warnings	3
Intended use	16
Symbols	16
In the box	19
Assembly	21
Operating the hedge trimmer	24
Maintenance and Storage	27
Troubleshooting	28
Technical Data	29
Recycling and Disposal	30
Warranty	31

General Safety Warnings

General power tool safety warnings



WARNING! Read all safety warnings and all instructions. Failure to follow the warnings and instructions may result in electric shock, fire and/or serious injury.

Save all warnings and instructions for future reference.

The term 'power tool' in the warnings refers to your mains-operated (corded) power tool or battery-operated (cordless) power tool.

- **Work area safety**

- **Keep work area clean and well lit.** Cluttered or dark areas invite accidents.
- **Do not operate power tools in explosive atmospheres, such as in the presence of flammable liquids, gases or dust.** Power tools create sparks which may ignite the dust or fumes.
- **Keep children and bystanders away while operating a power tool.** Distractions can cause you to lose control.

- **Electrical safety**

- **Power tool plugs must match the socket. Never modify the plug in any way. Do not use any adapter plugs with earthed (grounded) power tools.** Unmodified plugs and matching sockets will reduce the risk of electric shock.

- **Avoid body contact with earthed or grounded surfaces, such as pipes, radiators, ranges and refrigerators.** There is an increased risk of electric shock if your body is earthed or grounded.
- **Do not expose power tools to rain or wet conditions.** Water entering a power tool will increase the risk of electric shock.
- **Do not abuse the cord. Never use the cord for carrying, pulling or unplugging the power tool. Keep the cord away from heat, oil, sharp edges or moving parts.** Damaged or entangled cords increase the risk of electric shock.
- **When operating a power tool outdoors, use an extension cord suitable for outdoor use.** Use of a cord suitable for outdoor use reduces the risk of electric shock.
- **If operating a power tool in a damp location is unavoidable, use a residual current device (RCD with a tripping current of 30mA or less) protected supply.** Use of an RCD reduces the risk of electric shock.

NOTE: The term ‘residual current device (RCD)’ may be replaced by the term ‘ground fault circuit interrupter (GFCI)’ or ‘earth leakage circuit breaker (ELCB)’.

- **Personal safety**

- **Stay alert, watch what you are doing and use common sense when operating a power tool. Do not use a power tool while you are tired or under the influence of drugs, alcohol or medication.** A moment of inattention while operating power tools may result in serious personal injury.
- **Use Personal Protective Equipment (PPE). Always wear eye protection.** Protective equipment, such as a dust mask, non-skid safety shoes, hard hat, or hearing protection used for appropriate conditions will reduce personal injuries.
- **Prevent unintentional starting. Ensure the switch is in the 'Off' position before connecting to the power source and/or battery pack, picking up or carrying the tool.** Carrying power tools with your finger on the switch or energising power tools that have the switch on invites accidents.
- **Remove any adjusting key or spanner before turning the power tool on.** A spanner or a key left attached to a rotating part of the power tool may result in personal injury.
- **Do not overreach. Keep proper footing and balance at all times.** This enables better control of the power tool in unexpected situations.
- **Dress sensibly. Do not wear loose clothing or jewellery. Keep your hair, clothing and gloves away from moving parts.** Loose clothes, jewellery or long hair can be caught in moving parts.

- **If devices are provided for the connection of dust extraction and collection facilities, ensure these are connected and properly used.** Use of dust collection devices can reduce dust-related hazards.

- **Power tool use and care**
- **Do not force the power tool. Use the correct power tool for your application.** The correct power tool will do the job better and safer at the rate for which it was designed.
- **Do not use the power tool if the switch does not turn it on and off.** Any power tool that cannot be controlled with the switch is dangerous and must be repaired.
- **Disconnect the plug from the power source and/or the battery pack from the power tool before making any adjustments, changing accessories, or storing power tools.** Such preventive safety measures reduce the risk of starting the power tool accidentally.
- **Store idle power tools out of the reach of children and do not allow persons unfamiliar with the power tool or these instructions to operate the power tool.** Power tools are dangerous in the hands of untrained users.
- **Maintain power tools. Check for misalignment or binding of moving parts, breakage of parts and any other condition that may affect the power tool's operation. If damaged, have the power tool repaired before use.** Many accidents are caused by poorly maintained power tools.

- **Keep cutting tools sharp and clean.** Properly maintained cutting tools with sharp cutting edges are less likely to bind and are easier to control.
 - **Use the power tool, accessories and tool bits, etc., in accordance with these instructions, taking into account the working conditions and the work to be performed.** Use of the power tool for operations different from those intended could result in a hazardous situation.
- **Service**
 - **Have your power tool serviced by a qualified repair person using only identical replacement parts.** This will ensure that the safety of the power tool is maintained.

Battery safety warnings

- Immediately remove the battery from the charger after charging is complete.
- Remove the charged battery from the charger when not in use.
- Never try to charge a damaged battery.
- Non-rechargeable batteries must not be charged.
- Improper use of lithium-ion and lithium-polymer cells and batteries may overheat, explode or self-ignite the cells or batteries and cause serious injury.

- Pay attention to correct polarity when inserting the battery.
- Do not short-circuit the positive and negative terminals of the battery (e.g. on a wire).
- Do not wear or store the battery with necklaces, hairpins, or other metal objects.
- Do not pierce or kick the battery, and protect it from mechanical damage.
- Direct soldering to the battery is prohibited.
- Protect the battery from water, salt water, liquids and moisture.
- Do not disassemble the battery or alter the battery. The battery is equipped with various safety devices. Damage to any of these safety devices may cause the battery to overheat, explode or self-ignite. The safety circuit of the battery must not be misused as a circuit breaker.
- Keep the battery away from naked flames, stoves and other sources of heat. Protect the battery from direct sunlight, and do not store or use it in the car in warmer weather. High temperatures damage the safety circuit of the battery and can lead to overheating, explosion or spontaneous ignition of the battery. Using the battery under such conditions may also affect battery performance and reduce the life of the battery.
- Do not place the battery in the microwave oven, in a high-pressure container or on induction hobs.
- When not in use, the battery should be charged to about 30-50% and stored at room temperature (19°C)

to 25°C). For longer storage, the battery must be recharged once a year to avoid complete discharge.

- The permissible temperatures for charging the battery are between 0°C and 40°C, for discharging between 0°C and 60°C.
- Battery and charger will be warm during charging. This is normal and not indicative of a malfunction.
- Charging must not be continued if the battery does not charge within the specified charging time; otherwise, the battery may get hot, explode or ignite. Charging the battery must be carried out at temperatures of 0°C to 40°C. Other temperatures may seriously damage the battery or reduce the life of the battery.
- Insulate used batteries by wrapping the terminals with tape or the like.
- Do not dispose of the battery by burning it, and do not dispose of it with normal household waste. Take used batteries to a local disposal or recycling point.
- In case of unusual odours during charging/discharging, overheating, colour or shape changes or other abnormalities, discontinue the use of the battery immediately.
- If battery fluid gets into the eyes due to a leaking battery: do not rub but rinse with plenty of water and seek medical attention immediately. If left untreated, the eye may be injured by the battery fluid.
- Charge the battery pack only in chargers that have been separately tested and found to comply with EN 60335-2-29.

Note: The batteries in your charger are Li-ion type. Before disposing of damaged or used Li-ion batteries, check your local hazardous waste regulations for the disposal of the batteries. Or you can take the batteries to a certified service for recycling.

- Please use the charger from the manufacturer. Please read the user manual for the charger; failure to comply with the safety instructions may cause electric shock, fire and/or serious injury.

Charger safety warnings

- The charger's plug must match the socket. Never modify the plug in any way. Unmodified plugs and matching sockets will reduce the risk of electric shock.
- Only use your charger to charge batteries of the type supplied with your tool. Other batteries could burst, causing personal injury and damage.
- Only two battery packs are allowed to be charged continuously, in order to prevent overheating of the charger. It is necessary to allow the charger to cool down before charging another battery.
- When charging is complete, unplug the charger from the mains socket and remove the battery pack from the charger. Do not leave the battery pack in the charger.
- Never carry the charger by its cord or pull it to disconnect from the socket. Keep the cord away from heat, oil and sharp edges.
- Never attempt to charge non-rechargeable batteries.

- The cord of the charger is not changeable; do not continue to use if the cord is damaged.
- Do not expose to water or rain. Do not use in wet conditions.
- Do not open the charger. Do not probe the charger.
- The charger is intended for indoor use only.

Hedge trimmer safety warnings

- Keep all parts of the body away from the cutter blade. Do not remove cut material or hold material to be cut when blades are moving. Make sure the switch is off when clearing jammed material. A moment of inattention while operating the hedge trimmer may result in serious personal injury.
- Carry the hedge trimmer by the handle with the cutter blade stopped. When transporting or storing the hedge trimmer always fit the cutting device cover. Proper handling of the hedge trimmer will reduce possible personal injury from the cutter blades.
- Hold the power tool by insulated gripping surfaces only, because the cutter blade may contact hidden wiring or its own cord. Cutter blades contacting a 'live' wire may make exposed metal parts of the power tool 'live' and could give the operator an electric shock.
- Keep cable away from cutting area. During operation the cable may be hidden in shrubs and can be accidentally cut by the blade.
- Check the hedge for foreign objects, e.g. wire fences.



Never let children or untrained persons use the device.

WARNING! The cutting elements continue to rotate a little after the engine has been switched off.

- Only use the device in daylight or with sufficient artificial lighting.
- Remove the battery before checking, maintenance or working on the tool.
- Store the device out of the reach of children.
- Do not expose the device to moisture.
- Beware of overhead power lines.
- Avoid operating while people, especially children and pets, are nearby.
- Dress sensibly! Do not wear loose clothing or jewellery which can be caught in moving parts. Use of sturdy gloves, non-skid footwear, and safety glasses are recommended.
- If the tool stalls, immediately switch it off. Remove the battery before attempting to remove any obstructions.
- While operating the tool, always hold a safe and secure operating position, especially when using steps or a ladder.
- Do not attempt to repair the tool yourself.
- Do not operate the tool with a damaged or excessively worn cutting device.
- Always wear ear protection, goggles and a helmet during operation.

- Always ensure that all guards are fitted when using the device. Never attempt to use an incomplete tool or a tool with unauthorised modifications.
- Always use two hands to operate the power tool.
- When transporting or storing the tool, always fit the blade sheath.
- Always be aware of your surroundings and stay alert for possible hazards that you may not hear due to the noise of the tool.
- Do not carry the tool with your hands on the switch unless the battery has been removed.
- If you have not used a hedge trimmer before, preferably seek practical instruction by an experienced user, in addition to studying this manual, before operating.
- Never touch the blades while the tool is running.
- Never attempt to force the blades to come to a standstill.
- Do not put the tool down until the blade has come to a complete stop.
- Regularly check the blades for damage and wear. Do not use the machine when the blades are damaged.
- Take care to avoid hard objects (e.g. metal wire, railings) when trimming. Should you accidentally hit any such object, immediately switch the tool off and check for any damage.
- Should the tool start to vibrate abnormally, immediately switch it off and check for any damage.

- Always be aware of falling debris when cutting the higher sides of a hedge.
- Be aware of the cutting blade; always wear gloves to protect your hands from injury.

Information about noise reduction

A certain amount of noise caused by this device is unavoidable. Move noise-intensive work to authorised and designated times. If necessary, keep to rest periods and limit the working time to the bare essentials. For your personal protection and protection of nearby persons, suitable hearing protection must be worn.

Emergency

Familiarise yourself with the use of this product by means of this instruction manual. Memorise the safety directions and follow them to the letter; this will help to prevent risks and hazards.

- Always be alert when using this product, so that you can recognise and handle risks early. Fast intervention can prevent serious injury and damage to property.
- Switch off and remove the battery pack if there is any malfunction. Have the product checked by a qualified specialist and repaired, if necessary, before you put it into operation again.

Residual risks

Even if you are operating this product in accordance with all the safety requirements, potential risks of injury and damage remain. The following dangers can arise in connection with the structure and design of this product:

- Health defects resulting from vibration emissions if the product is being used over long periods of time or not adequately managed and properly maintained.
- Injuries and damage to property due to broken application tools or the sudden impact of hidden objects during use.
- Danger of injury and property damage caused by flying objects.



WARNING! This product produces an electromagnetic field during operation! This field may, under some circumstances, interfere with active or passive medical implants! To reduce the risk of serious or fatal injury, we recommend persons with medical implants consult their doctor and the medical implant manufacturer before operating this product.

Intended use

This Li-ion cordless hedge trimmer is intended for trimming hedges, bushes and shrubs. Observe the technical data for the maximum cutting capacity. Do not cut non plant material or branches exceeding the stated maximum capacity. For safety reasons, it is essential to read this entire instruction manual before first operation and to observe all the instructions herein. This product is intended for private domestic use only, not for any commercial trade use. It must not be used for any purposes other than those described in this manual.

Warning symbols on the power tool



Warning!



Conforms to all relevant safety standards.



Read the instruction manual before use.



Wear safety glasses, ear protection and safety helmet (PPE).



Wear suitable foot protection.



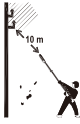
Wear suitable hand protection.



Keep bystanders away. Thrown objects can cause serious injury.



Do not expose to rain.



WARNING! The device is not protected against electric shocks when it touches highvoltage lines! Maintain a safe distance of 10m from live electrical lines.



Guaranteed sound power level data (90dB), in accordance with Directive 2000/14/EC.

Warning symbols on the charger



Before use, carefully read through the user manual.



The charger is for indoor use only.



Protection class II.



Pole orientation.



This symbol is known as the 'Crossed-out Wheelie Bin Symbol'. When this symbol is marked on a product or battery it means that it should not be disposed of with your general household waste. Some chemicals contained within electrical/electronic products or batteries can be harmful to health and the environment. Only dispose of electrical/electronic/battery items in separate collection schemes, which cater for the recovery and recycling of materials contained within. Your cooperation is vital to ensure the success of these schemes and for the protection of the environment.



Fuse

Warning symbols on the battery



Do not dispose of batteries in rivers or immerse them in water.



Do not subject the battery to strong sunlight over long periods and do not leave it on a heater (max. 45°C).



Do not dispose of batteries in a fire. They will explode and cause injury.

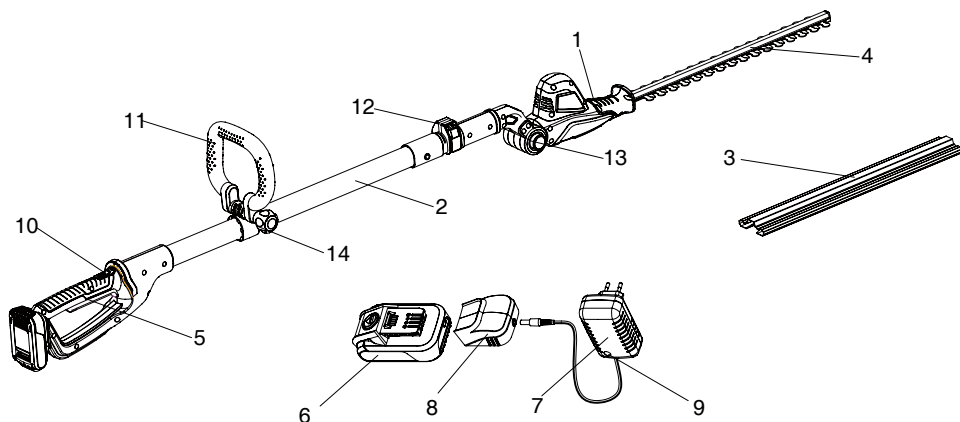


Contains Li-ion battery. Battery must be recycled or disposed of properly.

In the box

Parts

1. Working head
2. Pole tube
3. Blade sheath
4. Blade
5. Main switch
6. Battery pack
7. Charger
8. Charging station
9. LED light
10. Safety lock-off button
11. Front handle
12. Quick release for telescopic handle
13. Pivot knob
14. Front handle adjusting knob



**WARNING!**

Before using the tool, read all instructions carefully.

Charging the battery

**WARNING!**

The charger and battery pack are specifically designed to work together so do not attempt to use any other devices. Never insert or allow metallic objects into your charger or battery pack connections; an electrical failure and hazard will occur.

The battery needs to be charged before first use and whenever it fails to produce sufficient power on jobs that were easily done before.

**WARNING! NEVER LEAVE THE BATTERY AND CHARGER UNATTENDED WHEN CHARGING THE BATTERY.**

This product comes with a Lithium-ion battery pack. Lithium-ion batteries don't lose charge when they are not in use, and don't lose charging capacity over time. Nevertheless, it is best practice to charge the battery when empty or insufficient to do the job.

The charging procedure



WARNING! The battery cannot be charged immediately after use, it should cool down for a period of time first. The LED light (9) switching from green to red means it can be charged.

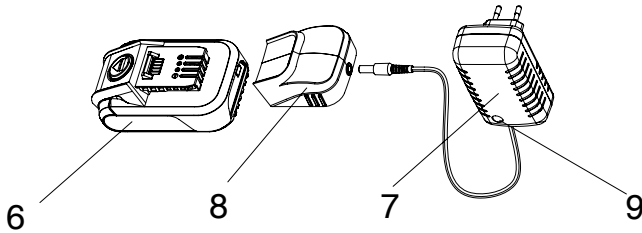
Connect the charger (7) to the charging station (8).

Plug the charger into an appropriate AC power outlet. When the LED light (9) changes to green, the charger is ready for use.

Slide the charging station (8) into the battery pack (6), make sure the station is fully seated in the battery pack. When the LED light (9) switches to red, the battery pack is on charge.

The battery pack will be fully charged after one hour. The LED light (9) will switch to green once the battery is fully charged.

To release the battery, press the round button on the battery (6) and pull the charging station (8) off.



Assembly

Charging procedure

Important charging notes

Longest life and best performance can be obtained if the battery pack is charged when the air temperature is between 18-24°C. Do not charge the battery pack in a very low or very high air temperature. This is important and will prevent serious damage to the battery pack.

- When using your tool continuously, the batteries in your battery pack will become hot. You should let a hot battery pack cool down for approximately 30 minutes before attempting to recharge.
- The charger and battery pack may become warm to touch while charging. This is a normal condition and does not indicate a problem.
- Use the charger in normal room temperatures whenever possible. To prevent overheating, do not cover the charger and do not charge battery packs in direct sunlight or near heat sources.
- If the battery pack does not charge properly:
 - A. Check the main socket by plugging in a lamp or other appliance.
 - B. Move the charger and battery pack to a location where the surrounding air temperature is approximately 18-24°C.
 - C. If charging problems persist, take the tool, battery pack and charger to your local store.
- The battery pack should be recharged when it fails to produce sufficient power on jobs which were easily done previously. **DO NOT CONTINUE** to use under these conditions. Follow the charging procedure. You may also charge a partially used pack whenever you desire with no adverse effect on the battery pack.

- Under certain conditions with the charger plugged into the power supply, the exposed charging contacts inside the charger can be shorted by foreign materials. Foreign materials of a conductive nature, such as, but not limited to, steel wool, aluminium foil, or any build-up of metallic particles, should be kept away from charger cavities. Always unplug the charger from the power supply when there is no battery pack in the cavity. Unplug the charger before attempting to clean.
- Do not immerse the charger in water or any other liquid.



WARNING!

Don't allow any liquid to get inside the charger, as this may result in electric shock. To facilitate the cooling of the battery pack after use, avoid placing the charger or battery pack in a warm environment, such as in a metal shed or an un-insulated trailer.



CAUTION!

Never attempt to open the battery pack for any reason. If the plastic housing of the battery pack breaks or cracks, dispose of the battery pack in accordance with local regulations; do not put it into further use.

Install the battery pack



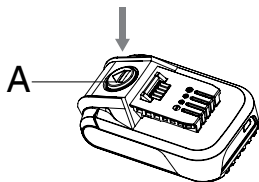
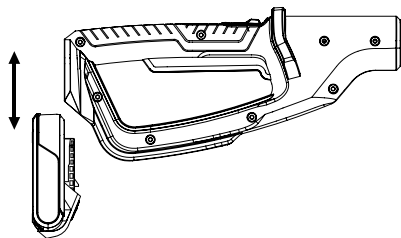
Warning! Always release the On/Off switch before inserting or removing the battery pack.

Remove the battery pack: Depress the button **(A)** on the end of the battery pack, and then remove the pack from the tool.

Install the battery pack: Align the ribs on both sides of the battery pack with the slots in the housing and slip it into place. Always insert it all the way until it locks in place with a click sound.

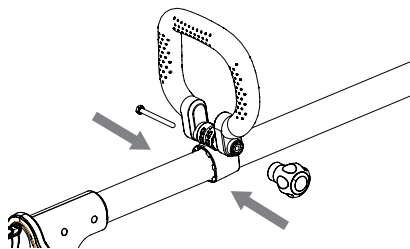
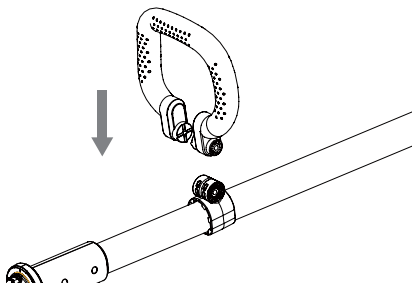
If it's not correctly inserted, it may accidentally fall out of the tool, causing injury to you or bystanders.

To release the battery from the product, push the button **(A)** on the battery pack and pull away from the product.



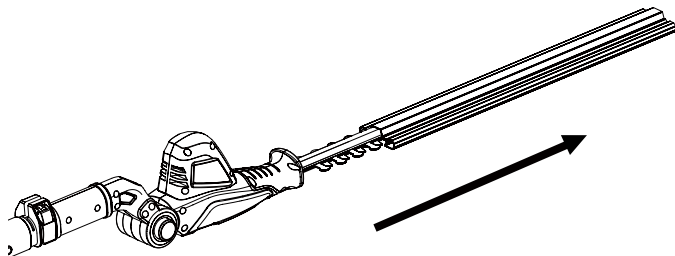
Assemble the front handle

Attach the front handle to the block on the lower handle and insert the bolt. Tighten the knob to the bolt.



Take off the blade sheath

Slide the blade sheath off before you start the machine.



Operating the hedge trimmer

Switch ON/OFF



WARNING!

If any parts are missing, damaged or broken, do not operate your hedge trimmer until all damaged parts have been replaced or repaired. Failure to do so could result in serious personal injury.

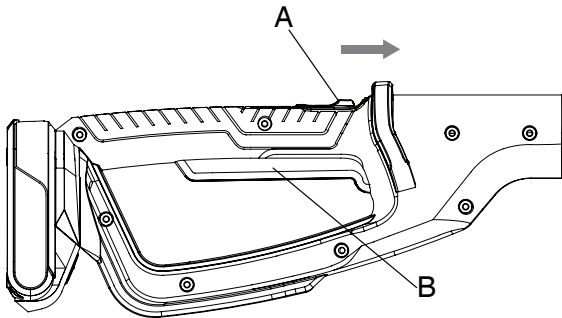
Switching the trimmer on:

Push forward the safety lock-off button **(A)** and then press the start button **(B)** on the handle.

Release the safety lock-off button **(A)**.

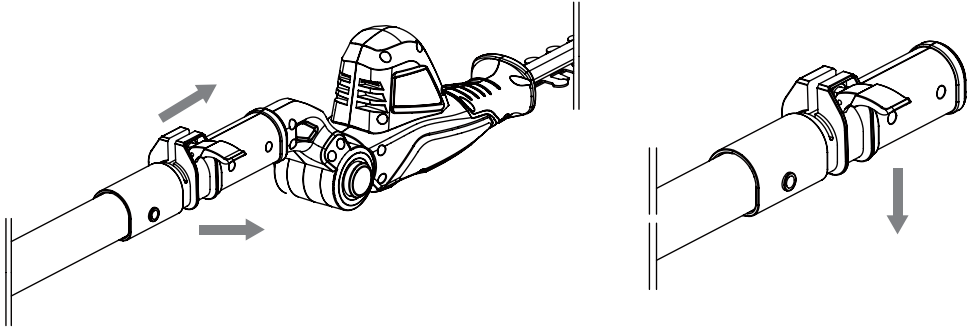
Switching the trimmer off:

Release the start button **(B)** on the handle.



Telescopic handle

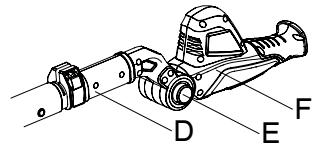
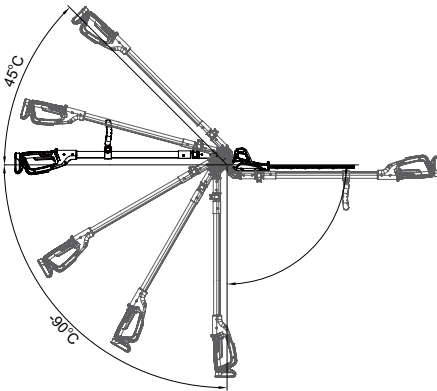
Open the clamping lever and extend the upper part of the handle to the desired handle length. Then click the clamping lever to fix the tube tight.



Function of the swivel head

Note: The cutter head can be locked in nine positions (-45°~90°).

Hold the handle (D) tightly. Push the lock button (E) and then turn the cutter head (F) to the desired position. Release the lock button (E) again and check whether the cutter head is locked in place.



Using the hedge trimmer



WARNING! DO NOT exceed the cutting capacity of this product. Remove the cut branches.

With its unique design, the pole trimmer can be used to trim and shape hard to reach areas of hedges and bushes, such as those shown in the figure overleaf.



Cutting guide

Seasonal hedges and shrubs that lose their leaves in the winter should be trimmed in June and October.

Evergreen hedges and shrubs that retain their leaves in the winter should be trimmed in April and August.

Conifers and other fast-growing shrubs can be trimmed every six weeks, from May onwards, throughout the growing season.

Maintenance and Storage

Maintenance

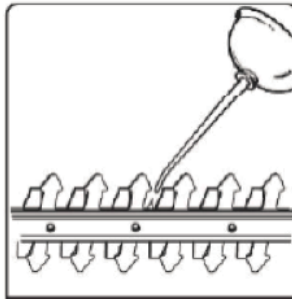


WARNING!

Before any maintenance, always take off the battery pack and wear protective gloves.

Lubrication of the blade

For easier operation and longer life, lubricate the cutting blades before and after each use. Before lubricating, make sure your hedge trimmer is disconnected from the battery. Apply the oil (any kind of lubrication oil) so that it runs between the two blades.



Clean



WARNING!

Before commencing these cleaning procedures or when clearing a blockage, make sure that the hedge trimmer is switched off and disconnected from the battery.

To ensure the best performance from the hedge trimmer, it must be kept clean. Always clean the hedge trimmer immediately after use.

Never use water for cleaning your hedge trimmer; use a soft, damp cloth. Do not clean with chemicals, including petrol or solvents, as this can damage your hedge trimmer.

Do not allow cuttings and other debris to become dry and hard on any of the hedge trimmer surfaces. This will directly affect the cutting performance.
Make sure that the blade is kept free of all cuttings and other debris.
Take extra care to clean the cooling vents.

Storage

Make sure that the hedge trimmer has been thoroughly cleaned before storing it in a clean, dry place, out of the reach of children.

Always fit the transportation blade sheath when storing the hedge trimmer.

Troubleshooting

Although your new cordless hedge trimmer is really easy to operate, if you do experience problems, check the following:

If the trimmer will not operate

Check battery pack assembly.

Charge the battery: operation of the hedge trimmer is dependent upon sufficient charge in the battery pack.

If the battery will not charge

Check to see if the battery is properly inserted into the charging station and make sure the indicator light is on. If not, check the power supply to the socket.

If the trimmer is not cutting properly

Check the condition of the blades; if the blade is blunt or damaged have it repaired by a qualified service agent.

If a fault is suspected, return the trimmer to your local store.

Technical data

Technical data table

Model	M0E-16ET-410
Voltage	18V d.c.
Battery type	Lithium-ion
No load speed	1200/min.
Cutting length/tooth spacing	410mm/14mm
Battery pack	
Battery pack	B0P-SP02-20-15B
Battery type	Lithium-ion
Battery capacity	18Vd.c. 1.5Ah
Charging time	Approx. 1 hour
Charger	
Charger	SMVCH001212000B
Rated voltage	230-240V~/50Hz
Nominal consumption	50W
Output voltage of charger	21V d.c.
Output current of charger	2A
Protection class	Class II
Protection category	IPX0

Noise and vibration data

A weighted sound pressure 75 dB (A) KpA: 3dB (A)

A weighted sound power 89 dB (A) KwA: 3dB (A)

Guaranteed sound power level: 90 dB(A)

Vibration level: 2.0m/s², K:1/5m/s²

The sound values have been determined according to the noise test code given in EN 60745- 1, using the basic standards EN ISO 11094 and EN ISO 3744.

The noise figures quoted are emission levels and are not necessarily safe working levels. Factors that influence the actual level of exposure to the workforce include the characteristics of the work room, the other sources of noise, etc., i.e. the number of machines and other adjacent processes, and the length of time for which an operator is exposed to the noise. Also the permissible exposure level can vary from country to country. This information, however, will enable the user of the machine to make a better evaluation of the hazard and risk.

Wear hearing protection! The sound intensity level for the operator may exceed 80 dB (A) and ear protection measures are necessary!

The declared vibration value has been measured in accordance with a standard test method (according to EN 60745-1) and may be used for comparing one product with another. The declared vibration value may also be used in a preliminary assessment of exposure.

This tool may cause Hand-Arm Vibration Syndrome (HAVS) if its use is not adequately managed.



WARNING!

Depending on the actual use of the product, the vibration values can differ from the declared total! Adopt proper measures to protect yourself against vibration exposures! Take the whole work process, including times the product is running under no load or switched off, into consideration!

Proper measures include, among others, regular maintenance and care of the product and cutting attachments, keeping hands warm, periodical breaks and proper planning of work processes!

Recycling and disposal

Disposal instructions

Waste electrical products should not be disposed with household waste. Please recycle where facilities exist.

Check with your local authority or retailer for recycling advice.

Warranty

Any claim under this warranty must be made within 2 years of the date of purchase. To make a claim under the warranty, take the product (with proof of purchase) to your local store.

HHGL Limited bears reasonable, direct expenses of claiming under the warranty. You may submit details and proof to our store for consideration.

The warranty covers manufacturer defects in materials, workmanship and finish under normal use. This warranty is provided in addition to other rights and remedies you may have under law: our goods come with guarantees, which cannot be excluded under the UK Consumer Rights Act 2015.

You are entitled to a replacement or refund for a major failure, and to compensation for other reasonably foreseeable loss or damage. You are also entitled to have the goods repaired or replaced if the goods fail to be of acceptable quality, and the failure does not amount to a major failure.

The warranty excludes damage resulting from product misuse or product neglect. The warranty covers domestic use only and does not apply to commercial applications.

This warranty is given by HHGL Limited, Witan Gate House, 500-600 Witan Gate, Milton Keynes, MK9 1BA.