



Keeping Britain green and pleasant since 1920

QGTLi18 25cm 18v 1.5Ah Cordless Grass Trimmer 484349



Instruction Manual



IMPORTANT! Please read these instructions fully before starting assembly.

These instructions contain important information that will help you get the best from your product, ensuring it is assembled correctly and safely. If you need help or have damaged or missing parts, call the Customer Helpline on **01904 727 500**.

Contents

General safety warnings	3
Intended use	10
Warning symbols	10
In the box	13
Assemble the grass trimmer	14
Operating the grass trimmer	18
Maintenance and storage	22
Troubleshooting	23
Technical data	24
Disposal	25
Getting help	25
Warranty	26

General safety warnings

Safety warnings



WARNING! Read all safety warnings and instructions.

Failure to follow the warnings and instructions may result in electric shock, fire and/or serious injury.

IMPORTANT

READ CAREFULLY BEFORE USE

KEEP FOR FUTURE REFERENCE

Training

- Read the instructions carefully. Be familiar with the controls and the proper use of the machine.
- Never allow children or people unfamiliar with these instructions to use the machine. Local regulations can restrict the age of the operator.
- Keep in mind that the operator or user is responsible for accidents or hazards occurring to other people or their property.

Preparation

- Before use, always visually inspect the machine for damaged, missing or misplaced guards or shields.
- Never operate the machine while people, especially children or pets, are nearby.

Operation

- Wear eye protection and suitable shoes at all times while operating the machine.
- Avoid using the machine in bad weather conditions especially when there is a risk of lightning.
- Use the machine only in daylight or good artificial light.
- Never operate the machine with damaged guards or shields or without guards or shields in place.
- Switch on the motor only when the hands and feet are away from the cutting means.
- Always disconnect the machine from the power supply (i.e. remove the plug from the mains, remove the disabling device or removable battery):
 - whenever the machine is left unattended;
 - before clearing a blockage;
 - before checking, cleaning or working on the machine;
 - after striking a foreign object;
 - or whenever the machine starts vibrating abnormally.

- Avoid injury to feet and hands from the cutting means.
- Always ensure that the ventilation openings are kept clear of debris.

Maintenance and storage

- Disconnect the machine from the power supply (i.e. remove the plug from the mains, remove the disabling device or removable battery) before carrying out maintenance or cleaning work.
- Only use the manufacturer's recommended replacement parts and accessories.
- Inspect and maintain the machine regularly. Have the machine repaired only by an authorised repairer.
- When not in use, store the machine out of the reach of children.

General safety warnings for battery chargers



WARNING! This appliance is not intended for use by persons (including children) with reduced physical, sensory or mental capabilities, or lack of experience and knowledge, unless they have been given supervision or instruction concerning the use of the appliance by a person responsible for their safety.



WARNING! Children should be supervised to ensure that they do not play with the appliance.

- Before charging the battery, read all the instructions carefully.
- After charging, disconnect the battery charger from the mains supply. Then remove the chassis connection and then the battery connection.
- Do not charge a leaking battery.
- Do not use chargers for works other than those for which they are designed and intended.
- Before charging, ensure your charger is matching the local AC supply.
- For indoor use. DO NOT expose to rain. The charging device must be protected from moisture.
- The charging device must be protected from moisture.
- Do not use the charging device in the open.
- Do not short out the contacts of the battery or charger.

- Respect the polarity (+/-) when charging.
- Do not open the unit and keep out of the reach of children.
- Do not charge the batteries of other manufacturers or ill-suited models.
- Ensure that the connection between the battery charger and battery is correctly positioned, and is not obstructed by foreign bodies.
- Keep the battery charger's slots free of foreign objects and protect it from dirt and humidity. Store in a dry and frost-free place.
- When charging batteries, ensure that the battery charger is in a well-ventilated area and away from flammable materials. Batteries can get hot during charging. Do not overcharge any batteries. Ensure that batteries and chargers are not left unsupervised during charging.
- Do not attempt to recharge non-rechargeable batteries, as they can overheat and break.
- Longer life and better performance can be obtained if the battery pack is charged when the air temperature is between 18°C and 24°C. Do not charge the battery pack in air temperatures below 0°C, or above 45°C. This is important as it can prevent serious damage to the battery pack.
- Only charge a battery pack of the same model provided by the manufacturer or different models recommended by them.

Safety warnings for battery packs

- Do not dismantle, open or shred cells or battery packs.
- Do not short-circuit a battery pack. Do not store battery packs haphazardly in a box or drawer where they may short circuit each other, or be short-circuited by conductive materials. When the battery pack is not in use, keep it away from other metal objects, like paper clips, coins, keys, nails, screws or other small metal objects, that can make a connection from one terminal to another. Shorting the battery terminals together may cause burns or a fire.
- Do not expose the battery pack to heat or fire. Avoid storing in direct sunlight.
- Do not subject the battery pack to mechanical shock.
- In the event of battery leakage, do not allow the liquid to come into contact with the skin or eyes. If contact has been made, wash the affected area with copious amounts of water and seek medical advice.
- Seek medical advice immediately if a cell or battery pack has been swallowed.
- Keep the battery pack clean and dry.
- Wipe the battery pack terminals with a clean, dry cloth if they become dirty.
- The battery pack needs to be charged before use. Always refer to this instruction manual and use the correct charging procedure.
- Do not keep the battery pack on charge when it is not in use.
- After extended periods of storage, it may be necessary to charge and discharge the battery pack several times to obtain maximum performance.
- The battery pack gives its best performance when it is operated at normal room temperature ($20^{\circ}\text{C} \pm 5^{\circ}\text{C}$).
- When disposing of several battery packs, keep battery packs of different electrochemical systems separate from each other.
- Recharge only with the charger specified by the manufacturer. Do not use any charger other than that specifically provided for use with the equipment. A charger that is suitable for one type of battery pack may create a risk of fire when used with another battery pack.
- Do not use any battery pack which is not designed for use with the equipment.
- Keep the battery pack out of the reach of children.
- Retain the original product literature for future reference.
- Remove the battery from the equipment when it is not in use.
- Dispose of safely in an environmentally-friendly manner. Not with domestic, household waste.

Intended use

This Li-ion cordless grass trimmer is intended for cutting weeds, grass or similar soft vegetation, in areas that are hard to reach, e.g. under bushes, on slopes and edges. It may not be used to work on unusually thick, dry or wet grass, e.g. pasture grass, or to shred leaves. For safety reasons, it is essential to read this entire instruction manual before first operation and to observe all the instructions herein. This product is intended for private domestic use only, not for any commercial trade use. It must not be used for any purposes other than described in this manual.

Warning symbols on the power tool



Warning!



Conforms to all relevant safety standards.



WARNING!

This is a warning symbol. This symbol is used throughout the instruction manual whenever there is a risk of personal injury. Ensure that these warnings are read and understood at all times.

Read the instruction manual before operating this machine.



Wear eye protection.



Wear ear protection.



Wear a dust mask.



Do not expose the machine to water or operate it in the rain.



Guaranteed sound power level.



Keep bystanders away.



Beware of thrown or flying objects. Keep bystanders a safe distance away from the machine.



This symbol is known as the 'Crossed-out Wheellie Bin Symbol'. When this symbol is marked on a product or battery, it means that it should not be disposed of with your general household waste. Some chemicals contained within electrical/electronic products or batteries can be harmful to health and the environment. Only dispose of electrical/electronic/battery items in separate collection schemes which cater for the recovery and recycling of materials contained within. Your cooperation is vital to ensure the success of these schemes and for the protection of the environment.

Warning symbols on the charger



Before use, carefully read through the user manual.




The charger is for indoor use only.



Protection class II.

 Pole orientation.

 T2A Fuse.

Warning symbols on the battery



Do not dispose of batteries in rivers or immerse in water.



Do not subject the battery to strong sunlight over long periods, and do not leave it on a heater (max. 45°C).



Do not dispose of batteries in a fire; they will explode and cause injury.



Contains a Li-ion battery. Batteries must be recycled or disposed of properly.

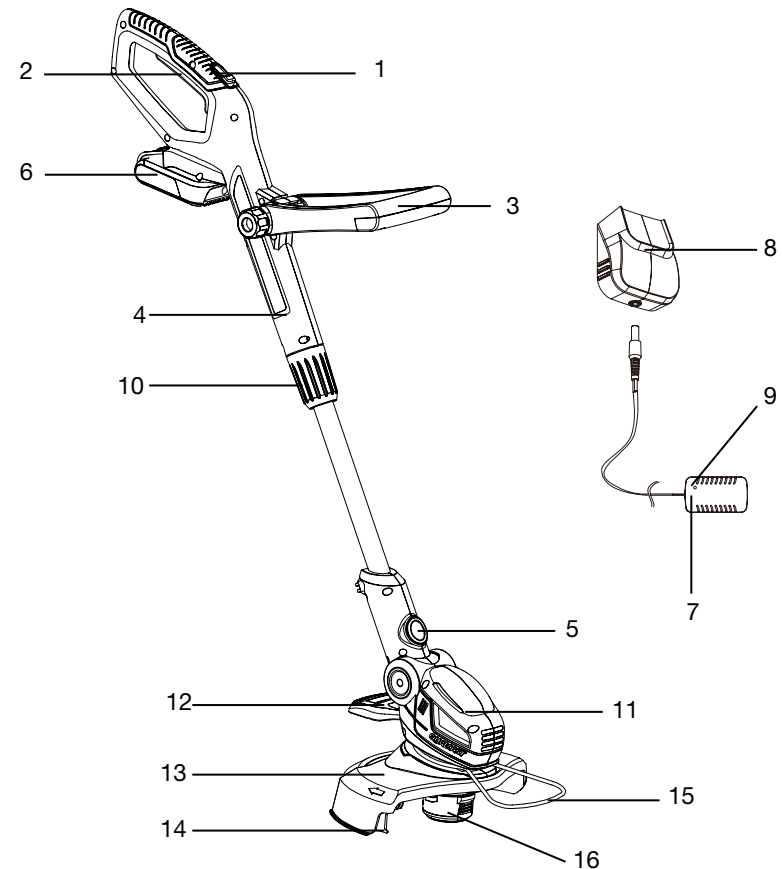


Return exhausted batteries to your local collection or recycling point.

In the box

Parts

- | | |
|-----------------------|---------------------------------|
| 1. Safety switch lock | 9. LEDs (indicators on charger) |
| 2. Main switch | 10. Telescopic knob |
| 3. Front handle | 11. Motor housing |
| 4. Upper tube | 12. Tilt-adjustment pedal |
| 5. Edge button | 13. Protection guard |
| 6. Battery pack | 14. Line blade |
| 7. Charger | 15. Plant protector |
| 8. Charging station | 16. Spool head |



Assemble the grass trimmer



WARNING!

Before using the tool, read all instructions carefully.

Charging the battery



WARNING!

The charger and battery pack are specifically designed to work together so do not attempt to use any other devices. Never insert or allow metallic objects into your charger or battery pack connections; an electrical failure and hazard will occur.

The battery needs to be charged before first use and whenever it fails to produce sufficient power on jobs that were easily done before.



WARNING! NEVER LEAVE THE BATTERY AND CHARGER UNATTENDED WHEN CHARGING THE BATTERY.

This product comes with a lithium-ion battery pack. Lithium-ion batteries don't lose charge when not in use, and don't lose charging capacity overtime. Nevertheless, it is best practice to charge the battery when empty or insufficient to do the job.

Charging procedure



WARNING!

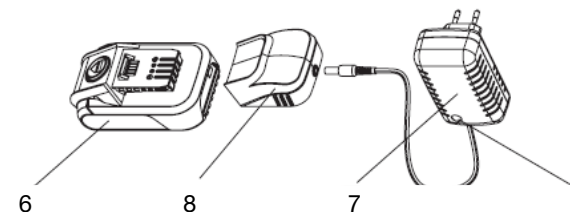
The battery cannot be charged immediately after use, it should cool off for a period of time. The LED (9) lights switching from green to red means it can be charged.

Connect the charger (7) to the charging station (8).

Plug the charger into an appropriate a.c. power outlet. The LED (9) lights green to tell you that the charger is ready for use.

Slide the charging station (8) into the battery pack (6), make sure the charging station is fully seated in the battery pack. The LED (9) lights up red to tell you that the battery pack is on charge.

The battery pack will be fully charged in 1 hour. And the LED (9) lights up green again to tell you that the battery pack is fully charged.



Important charging notes

Longest life and best performance can be obtained if the battery pack is charged when the air temperature is between 18-24°C. Do not charge the battery pack in a very low or very high air temperature. This is important and will prevent serious damage to the battery pack.

When using your tool continuously, the batteries in your battery pack will become hot. You should let a hot battery pack cool down for approximately 30 minutes before attempting to recharge.

The charger and battery pack may become warm to touch while charging. This is a normal condition and does not indicate a problem.

Use the charger in normal room temperatures whenever possible. To prevent overheating, do not cover the charger and do not charge battery packs in direct sunlight or near heat sources.

If the battery pack does not charge properly:

1. Check the main socket by plugging in a lamp or other appliance.
2. Move the charger and battery pack to a location where the surrounding air temperature is approximately 18-24°C.
3. If charging problems persist, take or send the tool, battery pack and charger to your local service centre.

The battery pack should be recharged when it fails to produce sufficient power on jobs which were easily done previously. **DO NOT CONTINUE** to use under these conditions. Follow the charging procedure. You may also charge a partially used pack whenever you desire with no adverse effect on the battery pack.

Under certain conditions, with the charger plugged in to the power supply, the exposed charging contacts inside the charger can be shorted by foreign material. Foreign materials of a conductive nature, such as, but not limited to, steel wool, aluminium foil, or any build-up of metallic particles, should be kept away from charger cavities. Always unplug the charger from the power supply when there is no battery pack in the cavity. Unplug the charger before attempting to clean it.

Do not immerse the charger in water or any other liquid.

**WARNING!**

Don't allow any liquid to get inside the charger; electric shock may result. To facilitate the cooling of the battery pack after use, avoid placing the charger or battery pack in a warm environment, such as in a metal shed, or an un-insulated trailer.

**WARNING!**

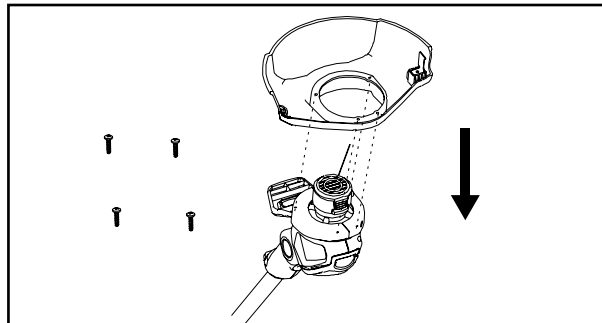
Never attempt to open the battery pack for any reason. If the plastic housing of the battery pack breaks or cracks, return it to a service centre for recycling; do not put it into further use.

Install the guard

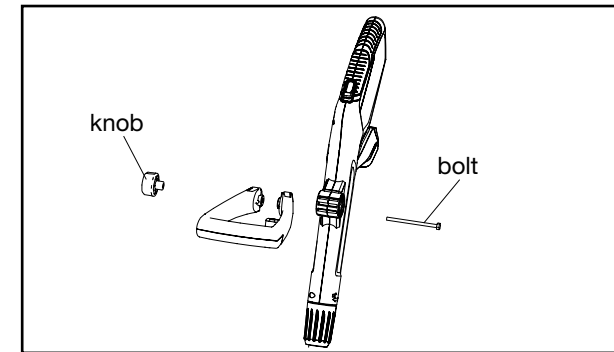
1. Remove four mounting screws from motor housing.

Note: They are pre-mounted on the motor housing by factory to help the end-user find them quickly and indicate to the end-user where these four screws should be used.

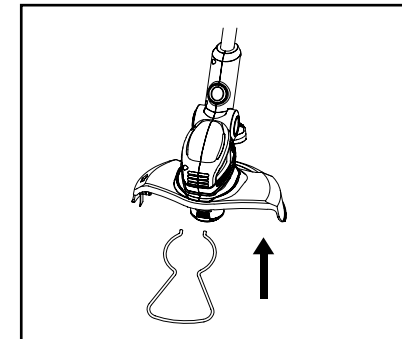
2. Fit the safety guard onto the motor housing.
3. Fix the safety guard in place by using these four screws.

**Front handle assembly**

1. Loosen the knob and remove it together with the bolt from the front handle.
2. Align the front handle to the support and place it onto it.
3. Insert the bolt from the right through the opening. Ensure that the bolt head sits properly in the recessed shape in the support, then tighten the knob.

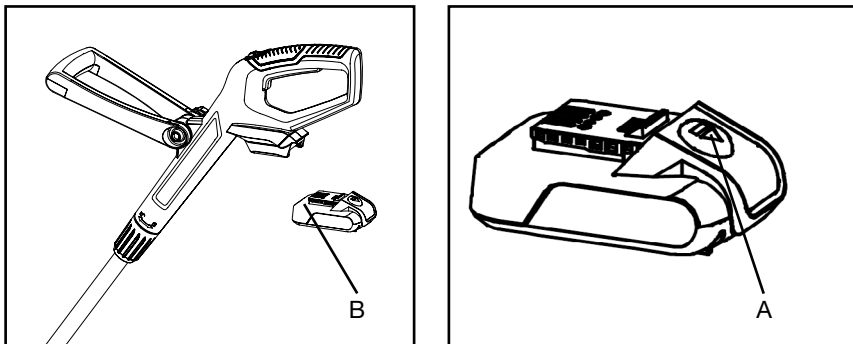
**Plant protector assembly**

Assemble the plant protector into the slot in between the guard and the motor housing.

**Remove or install the battery pack****WARNING!**

Always release the on/off trigger before insertion or removal of the battery pack.

To remove the battery pack: Depress button (A) on the end of the battery pack, and then remove the pack (B) from the tool.



Install the battery pack: Align the ribs on both sides of the battery pack with the slots in the housing, and slip it into place. Always insert it all the way until it locks in place with a click sound. If not, it may accidentally fall out of the tool, causing injury to you or someone around you.

Operating the grass trimmer

Starting

Before starting the grass trimmer for the first time, check that the nylon lines touch or pass over the wire cutting blade. If they are not long enough, follow these steps:

- Take off the battery pack from the machine.
- Press the spool button.
- Pull more nylon wire to lengthen.

Install the battery pack. Switch the trimmer on. Press and hold the safety lock-off button and then press the trigger on the handle. Release the safety lock-off button.

The lengthened nylon line will be cut to size automatically by the wire cutting blade once the grass trimmer is turned on.

During use, the nylon line will become shortened or worn. To automatically lengthen or advance the nylon cutting line, tap the spool button lightly on the ground (while the unit is running).

These operations should be repeated a few times before starting work to make sure that everything is functioning properly and to familiarise you with the grass trimmer. Start off slowly; when you have gained experience, you will be able to use the grass trimmer to its full potential.

Switch on/off

Switching the trimmer on:

Press and hold the safety lock-off button and then press the trigger on the handle. Release the safety lock-off button again.

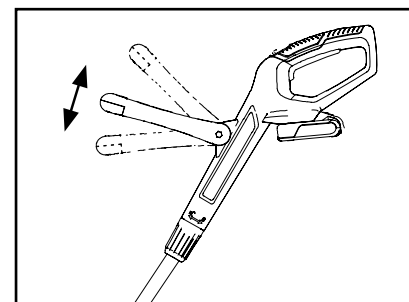
Switching the trimmer off:

Release the trigger on the handle.

Front handle adjustment

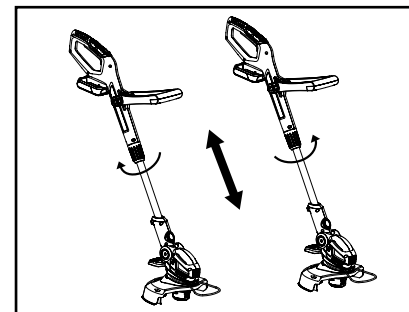
Adjust the angle of the auxiliary handle to ease operation and prevent loss of control:

1. Loosen the knob and move the handle up or downward.
2. Tighten the knob to secure the auxiliary handle in the adjusted position.



Height adjustment

1. Loosen the locking sleeve counter clockwise.
2. Adjust the pole length to fit your body height.
3. Tighten the locking sleeve anti-clockwise.

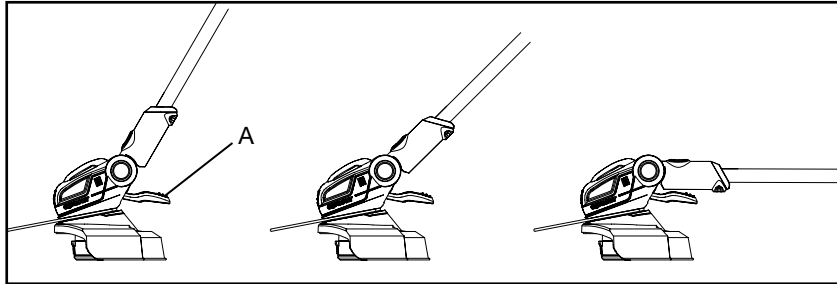


Setting the cutting angle

Adjust the vertical angle of the trimmer head to fit the trimming conditions:

1. Press the tilt-adjustment pedal (A) down with your foot.
2. Adjust the angle of the pole, up or down.
3. Release the pedal and keep moving the pole until it locks in place.

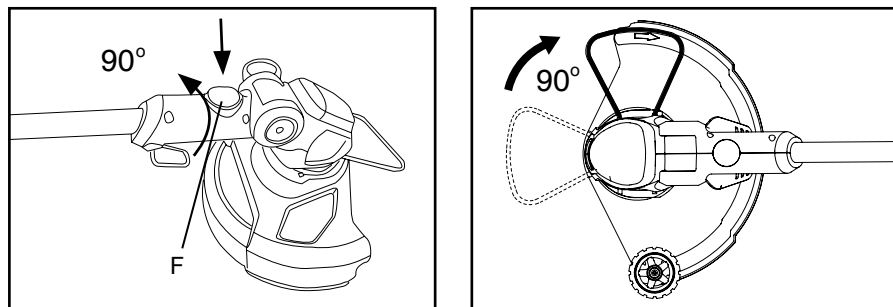
Note: Always ensure that the pedal snaps into place after adjusting the trimmer in one of the three positions!



Edging function

Set the cutting angle to 0° (see setting the cutting angle).

Press the edging button (F), rotate the lower tube 90°.



Automatic line feeding

The equipment features a fully automatic single line system.

The lines will automatically elongate every time you turn on the appliance. To support proper line elongation, ensure that the coil has stopped moving completely before turning on the appliance again.

The lines are automatically cut to the correct length by the line cutter.

Cutting guide



WARNING!

Always wear eye protection. Never lean over the trimmer head. Stones or debris can bounce or be thrown into the eyes and face, and cause blindness or other serious injury.

When operating the unit:

Hold the front handle with one hand and auxiliary handles with the other hand.

Keep the unit below waist level. Work only from your right to your left, to ensure debris is thrown away from you. The guard should face you, protecting you from debris.

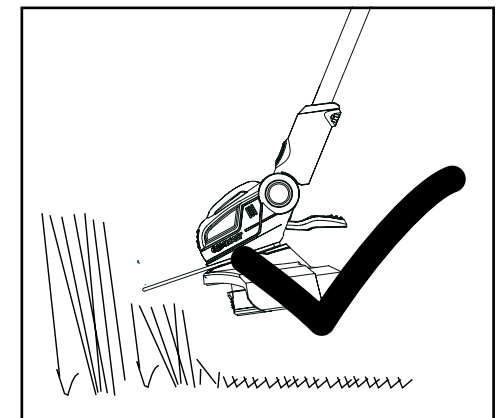
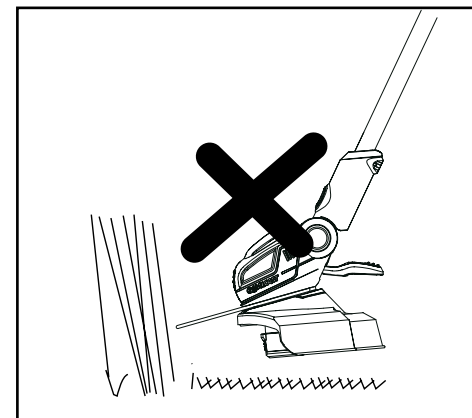
Do not switch the machine on with the cutting head on or near material to be cut.

Ensure the cutting line is at full speed before contacting the grass.

Use the trimmer at an angle of approximately 15° to the working area.

In a controlled manner, swing the trimmer head from side to side.

If the grass is very long, cut it in stages rather than trying to cut it all in one go. Do not overload your trimmer; take small cuts, this will keep the machine operating at high speed and improve the cutting efficiency.



Maintenance and storage

Replace the spool



WARNING!

Before replacing the spool, always switch off the machine and take off the battery pack!

RISK OF INJURY! Cutting elements continue to rotate after the motor is switched off. Do not try to stop the cutting device (nylon blade) with your hands. Always let it come to a stop by itself.

Remove the spool assembly from the trimmer. To do so, hold the outer ribbed part of the assembly with one hand, while pushing down and turning the spool head with the other to unlock it. The spool carrier and spool will now disassemble easily.

Note: There is a spring inside the head that could easily be lost. Ensure that it is put in a safe place.

Choose either Option 1 or Option 2 below for spool or line replacement.

Option 1: Replacing the spool

Insert the line from the replacement spool through the eyelet in the spool carrier and slide the spool into it.

Making sure to insert the spring, assemble the spool and spool carrier back onto the trimmer. To do so, push the head on and turn it clockwise until it locks.

To test if the line is advancing properly, push the button with your thumbs while pulling the line with your fingers. It should advance freely.

Option 2: Replacing the line



WARNING!

Please use 1.2mm or 1.4mm diameter line only.

Line for your trimmer is available at extra cost from your local store or the customer support service. Replace the line, as follows:

Insert one end of the line into the hole in the spool, about 3mm.

Wind the line tight and evenly onto the spool in the direction of the arrow until the line builds up to the notches in the spool rim. Do not overfill the spool. The spool holds about 6.5m of line.

Cleaning and storage

After use, remove the battery pack from the trimmer.

When not in use, store the machine in a dry, safe place, out of the reach of children.

Use only manufacturer recommended replacement parts and accessories.

To clean the tool, remove the battery pack and use a mild soap solution and a damp cloth to clean it. Do not immerse the tool in water or squirt it with a hose. Do not allow any liquid to get inside it. Do not clean with a pressure washer.

Troubleshooting

Although your new cordless grass trimmer is really easy to operate, if you do experience problems, check the following:

Tool runs slowly

Check that the spool housing can rotate freely. Carefully clean it if necessary.

Check that the cutting line does not protrude more than 9cm from the spool housing. If it does, cut it off so that it just reaches the line trimming blade.

If the trimmer is not cutting properly

Check the condition of the cutting head if the cutting line is too short or the cutting head is damaged.

Note: Do not use a damaged cutting head.

If the trimmer will not operate

Check the battery pack assembly.

Charge the battery: operation of the grass trimmer is dependent upon sufficient charge in the battery pack.

If the battery will not charge

Check to see if the battery is properly inserted into the charger base, and make sure the indicator light is on. If not, check the power supply to the socket used for the charger plug.

If a fault is suspected, return the trimmer to an authorised dealer for repair.

Technical data

Model no.	N0F-GT-250/18-E
Voltage	18V d.c.
Battery type	Lithium-ion
No load speed	8000/min
Cutting width	25cm
Battery pack	
Model no.	B0P-SP02-20-15B
Battery type	Lithium-ion
Battery capacity	18V d.c. 1.5Ah
Charging time	Approx. 1 hour
Charger	
Model no.	SMVCH001212000B
Input	230-240V~ 50/60Hz 50W
Output	21V d.c. 2A

Noise and vibration data

A weighted sound pressure 73dB(A) K_{pA} : 3dB(A)

A weighted sound power 86dB(A)

The guaranteed sound power level: 94dB(A)

Wear ear protection

Typical weighted vibration 2m/s^2 $K=1.5\text{m/s}^2$



WARNING!

The sound values have been determined according to the noise test code given in EN50636-2-91, using the basic standards EN ISO 11201 and EN ISO 3744.

The sound intensity level for the operator may exceed 80dB(A) and ear protection measures are necessary.

The declared vibration value (according to EN 50636-2-91) has been measured in accordance with a standard test method, and may be used for comparing one product with another. The declared vibration value may also be used in a preliminary assessment of exposure.

Depending on the actual use of the product, the vibration values can differ from the declared total! Adopt proper measures to protect yourself against vibration exposures! Take the whole work process, including times the product is running under no load or switched off, into consideration!

Proper measures include, among others, regular maintenance and care of the product and cutting attachments, keeping hands warm, periodical breaks and proper planning of work processes!

Recycling and disposal

Waste battery-powered products should not be disposed of with household waste. Please recycle where facilities exist.

Check with your local authority or retailer for recycling advices.

Disposal

The hedge trimmer and its accessories are made of various recyclable materials. Dispose of the hedge trimmer in accordance with your local recycling regulations.

Getting help

Our dedicated UK-based customer helpline is open 7 days a week to assist you with assembly, parts queries and technical support. We are open during office hours but you can always send an email via support@gardenservicecentre.co.uk. Our experts are here to get you back enjoying your garden in no time.

For useful assembly, starting and maintenance videos, and for ordering spares, please visit www.gardenservicecentre.co.uk.

Calling our service does not affect your statutory rights.

Warranty

Any claim under this warranty must be made within 24 months of the date of purchase. To make a claim under the warranty, take the product (with proof of purchase) to your local store.

HHGL Limited bears reasonable, direct expenses of claiming under the warranty.

You may submit details and proof to our store for consideration. The warranty covers manufacturer defects in materials, workmanship and finish under normal use.

This warranty is provided in addition to other rights and remedies you may have under law: our goods come with guarantees, which cannot be excluded under the UK Consumer Rights Act 2015.

You are entitled to a replacement or refund for a major failure, and to compensation for other reasonably foreseeable loss or damage. You are also entitled to have the goods repaired or replaced if the goods fail to be of acceptable quality and the failure does not amount to a major failure.

The warranty excludes damage resulting from product misuse or product neglect. The warranty covers domestic use only and does not apply to commercial applications.

This warranty is given by HHGL Limited, Witan Gate House, 500-600 Witan Gate, Milton Keynes, MK9 1BA.