



10.8V CORDLESS DRILL

7863862 (Model: MCLDD108)

Important - Please read these instructions fully before using the product

These instructions contain important information that will help you get the best from your product, ensuring it is operated correctly and safely.

If you need help or have damaged or missing parts, call the Customer Helpline on **0345 605 2062**

AFTER SALES SUPPORT
0345 605 2062
SAN NO.: 03218AHBGO12

Contents

Safety information	3
Parts list	17
Before use	18
Preparation.....	19
Assembly	18
Operation	21
Maintenance and Storage.....	25
Troubleshooting	26
Technical data	27
Recycling and Disposal.....	29
Getting Help.....	29
Guarantee	30

Produced in China for Argos Limited, London, EC1M 6HA, UK.

Argos (N.I.) Ltd, Forestside Shopping Centre, Upper Galwally, Belfast, BT8 6FX, UK.

<https://bit.ly/Coreservice-McGregor>



Safety Information

Important - Please read these instructions fully before operating or maintaining

Warning Symbols



Warning!



Read the instructions.



Wear ear protection.



Wear eye protection.



Wear dust mask.



The product complies with the applicable European directives and an evaluation method of conformity for these directives were done.



The product complies with the applicable UK Directives, and an evaluation method of conformity for these directives were done.



Recycle unwanted materials instead of disposing of them as household waste. All tools, hoses and packaging should be sorted, taken to the local recycling centre and disposed of in an environmentally safe way.



Safety Information

Important - Please read these instructions fully before starting assembly

Warning symbols on battery pack and charger



To reduce the risk of injury, user must read instruction manual carefully.



Do not throw into water.



Do not throw on fire.



Do not subject the battery to strong sunlight over long periods of time. Do not leave on a heater (max.45°C).



Batteries contain Li-ion. Do not dispose of waste batteries in domestic waste. Contact local authority to find out how to dispose of batteries.



The charger is for indoor use only.



Double insulation(Only for charger).



Protective 2A limited with YB-S321302200B.



Recycle unwanted materials instead of disposing of them as household waste. All tools, hoses and packaging should be sorted, taken to the local recycling centre and disposed of in an environmentally safe way.



Pole orientation



Safety Information

Important - Please read these instructions fully before starting assembly

General power tool safety warnings



WARNING Read all safety warnings, instructions, illustrations and specifications provided with this power tool. Failure to follow all instructions listed below may result in electric shock, fire and/or serious injury.

Save all warnings and instructions for future reference.

The term "power tool" in the warnings refers to your mains-operated (corded) power tool or battery-operated (cordless) power tool.

Work area safety

- **Keep work area clean and well lit.** Cluttered or dark areas invite accidents.
- **Do not operate power tools in explosive atmospheres, such as in the presence of flammable liquids, gases or dust.** Power tools create sparks which may ignite the dust or fumes.
- **Keep children and bystanders away while operating a power tool.** Distractions can cause you to lose control.

Electrical safety

- **Power tool plugs must match the outlet. Never modify the plug in any way. Do not use any adapter plugs with earthed (grounded) power tools.** Unmodified plugs and matching outlets will reduce risk of electric shock.
- **Avoid body contact with earthed or grounded surfaces, such as pipes, radiators, ranges and**



Safety Information

Important - Please read these instructions fully before starting assembly

refrigerators. There is an increased risk of electric shock if your body is earthed or grounded.

- **Do not expose power tools to rain or wet conditions.** Water entering a power tool will increase the risk of electric shock.
- **Do not abuse the cord. Never use the cord for carrying, pulling or unplugging the power tool.** Keep cord away from heat, oil, sharp edges or moving parts. Damaged or entangled cords increase the risk of electric shock.
- **When operating a power tool outdoors, use an extension cord suitable for outdoor use.** Use of a cord suitable for outdoor use reduces the risk of electric shock.
- **If operating a power tool in a damp location is unavoidable, use a residual current device (RCD) protected supply.** Use of an RCD reduces the risk of electric shock.

Personal safety

- **Stay alert, watch what you are doing and use common sense when operating a power tool. Do not use a power tool while you are tired or under the influence of drugs, alcohol or medication.** A moment of inattention while operating power tools may result in serious personal injury.
- **Use personal protective equipment. Always wear eye protection.** Protective equipment such as a dust mask, non-skid safety shoes, hard hat or hearing protection used for appropriate conditions will reduce personal injuries.
- **Prevent unintentional starting. Ensure the switch is in the off-position before connecting to power source and/or battery pack, picking up or carrying**



Safety Information

Important - Please read these instructions fully before starting assembly

the tool. Carrying power tools with your finger on the switch or energising power tools that have the switch on invites accidents.

- **Remove any adjusting key or wrench before turning the power tool on.** A wrench or a key left attached to a rotating part of the power tool may result in personal injury.
- **Do not overreach. Keep proper footing and balance at all times.** This enables better control of the power tool in unexpected situations
- **Dress properly. Do not wear loose clothing or jewellery. Keep your hair and clothing away from moving parts.** Loose clothes, jewellery or long hair can be caught in moving parts.
- **If devices are provided for the connection of dust extraction and collection facilities, ensure these are connected and properly used.** Use of dust collection can reduce dust-related hazards.
- **Do not let familiarity gained from frequent use of tools allow you to become complacent and ignore tool safety principles.** A careless action can cause severe injury within a fraction of a second.

Power tool use and care

- **Do not force the power tool. Use the correct power tool for your application.** The correct power tool will do the job better and safer at the rate for which it was designed.
- **Do not use the power tool if the switch does not turn it on and off.** Any power tool that cannot be controlled with the switch is dangerous and must be repaired.
- **Disconnect the plug from the power source and/ or remove the battery pack, if detachable, from the power tool before making any adjustments,**



Safety Information

Important - Please read these instructions fully before starting assembly

Power tool use and care

changing accessories, or storing power tools. Such preventive safety measures reduce the risk of starting the power tool accidentally.

- **Store idle power tools out of the reach of children and do not allow persons unfamiliar with the power tool or these instructions to operate the power tool.** Power tools are dangerous in the hands of untrained users.
- **Maintain power tools and accessories. Check for misalignment or binding of moving parts, breakage of parts and any other condition that may affect the power tool's operation.** If damaged, have the power tool repaired before use. Many accidents are caused by poorly maintained power tools.
- **Keep cutting tools sharp and clean.** Properly maintained cutting tools with sharp cutting edges are less likely to bind and are easier to control.
- **Use the power tool, accessories and tool bits etc. in accordance with these instructions, taking into account the working conditions and the work to be performed.** Use of the power tool for operations different from those intended could result in a hazardous situation.
- **Keep handles and grasping surfaces dry, clean and free from oil and grease.** Slippery handles and grasping surfaces do not allow for safe handling and control of the tool in unexpected situations.

Battery tool use and care

- **Recharge only with the charger specified by the manufacturer.** A charger that is suitable for one type of battery pack may create a risk of fire when used with another battery pack.



Safety Information

Important - Please read these instructions fully before starting assembly

Battery tool use and care

- **Use power tools only with specifically designated battery packs.** Use of any other battery packs may create a risk of injury and fire.
- **When battery pack is not in use, keep it away from other metal objects, like paper clips, coins, keys, nails, screws or other small metal objects, that can make a connection from one terminal to another.** Shorting the battery terminals together may cause burns or a fire.
- **Under abusive conditions, liquid may be ejected from the battery ;avoid contact. If contact accidentally occurs, flush with water.** If liquid contacts eyes, additionally seek medical help. Liquid ejected from the battery may cause irritation or burns.
- **Do not use a battery pack or tool that is damaged or modified.** Damaged or modified batteries may exhibit unpredictable behaviour resulting in fire, explosion or risk of injury.
- **Do not expose a battery pack or tool to fire or excessive temperature.** Exposure to fire or temperature above 130°C may cause explosion.
- **Follow all charging instructions and do not charge the battery pack or tool outside the temperature range specified in the instructions.** Charging improperly or at temperatures outside the specified range may damage the battery and increase the risk of fire.

Service

- **Have your power tool serviced by a qualified repair person using only identical replacement parts.** This will ensure that the safety of the power tool is maintained.



Safety Information

Important - Please read these instructions fully before starting assembly

Service

- **Never service damaged battery packs.** Service of battery packs should only be performed by the manufacturer or authorized service providers.

Drill safety warnings

Safety instructions for all operations

- Hold the power tool by the insulated gripping surfaces, when performing an operation where the cutting accessory may contact hidden wiring or its own cord. Cutting tools contacting a “live” wire may make exposed metal parts of the power tool “live” and could give the operator an electric shock.

Safety instructions when using long drill bits

- Never operate at a higher speed than the maximum speed rating of the drill bit.
- a) At higher speeds, the bit is likely to bend if allowed to rotate freely without contacting the workpiece, resulting in personal injury.
- Always start drilling at a low speed and with the bit tip in contact with the workpiece. At higher speeds, the bit is likely to bend if allowed to rotate freely without contacting the workpiece, resulting in personal injury.
- Apply pressure only in direct line with the bit and do not apply excessive pressure. Bits can bend causing breakage or loss of control, resulting in personal injury.

Additional safety warnings

- Hold the power tool securely. When tightening and loosening screws be prepared for temporarily high torque reactions.
- Secure the workpiece. A workpiece clamped with



Safety Information

Important - Please read these instructions fully before starting assembly

Additional safety warnings

clamping devices or in a vice is held more secure than by hand.

- Use suitable detectors to determine if there are hidden supply lines or contact the local utility company for assistance. Contact with electric cables can cause fire and electric shock. Damaging gas lines can lead to explosion. Breaking water pipes causes property damage.
- Always wait until the power tool has come to a complete stop before placing it down. The application tool can jam and cause you to lose control of the power tool.

Safety warnings for charger



WARNING! Read all safety warnings and all instructions. Failure to follow the warnings and instructions may result in electric shock, fire and/or serious injury.

Save all warnings and instructions for future reference.

This appliance can be used by children aged from 8 years and above and persons with reduced physical, sensory or mental capabilities or lack of experience and knowledge if they have been given supervision or instruction concerning use of the appliance in a safe way and understand the hazards involved. Children shall not play with the appliance.

Cleaning and user maintenance shall not be made by children without supervision.

If the supply cord is damaged, it must be replaced by the manufacturer, its service agent or similarly qualified persons in order to avoid a hazard.

- Before charging, read the instructions.



Safety Information

Important - Please read these instructions fully before starting assembly

Safety warnings for charger

- After charging, disconnect the battery charger from the supply mains. Then remove the chassis connection and then the battery connection.
- Do not charge a leaking battery.
- Do not use chargers for functions other than those for which they are designed.
- Before charging, ensure your charger is matching the local AC supply.
- For indoor use, or do not expose to rain.
- The charging device must be protected from moisture.
- Do not use the charging device in the open.
- Do not short out the contacts of battery or charger.
- Respect the polarity “+/-“ when charging.
- Do not open the unit and keep out of the reach of children.
- Do not charge the batteries of other manufactures or ill-suited models.
- Ensure that the connection between the battery charger and battery is correctly positioned and is not obstructed by foreign bodies.
- Keep the battery charger’s slots free of foreign objects and protect against dirt and humidity. Store in a dry and frost-free place.
- When charging batteries, ensure that the battery charger is in a well-ventilated area and away from inflammable materials. Batteries can get hot during charging. Do not overcharge any batteries. Ensure that batteries and chargers are not left unsupervised during charging.
- Do not recharge non-rechargeable batteries, as they can overheat and break.



Safety Information

Important - Please read these instructions fully before starting assembly

Safety warnings for charger

- Longer life and better performance can be obtained if the battery pack is charged when the air temperature is between 18°C and 24°C. Do not charge the battery pack in air temperatures below 4.5°C, or above 40.5°C. This is important as it can prevent serious damage to the battery pack.
- Charge only battery pack of the same model provided by Argos and of models recommended by Argos.

Safety warnings for battery packs

- Do not dismantle, open or shred cells or battery packs.
- Do not short-circuit a battery pack. Do not store battery packs haphazardly in a box or drawer where they may short circuit each other or be short-circuited by conductive materials. When the battery pack is not in use, keep it away from other metal objects, like paper clips, coins, keys, nails, screws or other small metal objects that can make a connection from one terminal to another. Shorting the battery terminals together may cause burns or a fire.
- Do not expose the battery pack to heat or fire. Avoid storing in direct sunlight.
- Do not subject the battery pack to mechanical shock.
- In the event of battery leakage, do not allow the liquid to come into contact with the skin or eyes. If contact has been made, wash the affected area with copious amounts of water and seek medical advice.
- Seek medical advice immediately if a cell or battery pack has been swallowed.
- Keep the battery pack clean and dry.
- Wipe the battery pack terminals with a clean, dry cloth if they become dirty.



Safety Information

Important - Please read these instructions fully before starting assembly

Safety warnings for battery packs

- The battery pack needs to be charged before use. Always refer to this instruction manual and use the correct charging procedure.
- Do not keep the battery pack on charge when it is not in use.
- After extended periods of storage, it may be necessary to charge and discharge the battery pack several times to obtain maximum performance.
- The battery pack gives its best performance when it is operated at normal room temperature ($20^{\circ}\text{C} \pm 5^{\circ}\text{C}$).
- When discharging several battery packs, keep battery packs of different electrochemical systems separate from each other.
- Recharge only with the charger specified by the manufacturer. Do not use any charger other than that specifically provided for use with the equipment. A charger that is suitable for one type of battery pack may create a risk of fire when used with another battery pack.
- Do not use any battery pack which is not designed for use with the equipment.
- Keep the battery pack out of the reach of children.
- Retain the original product literature for future reference.
- Remove the battery from the equipment when it is not in use.
- Dispose of safely in an environmentally friendly manner. Not with domestic, household waste.

Vibration and noise reduction

To reduce the impact of noise and vibration emission, limit the time of operation, use low-vibration and low noise



Safety Information

Additional safety instructions for grass trimmers

Emergency

operating modes as well as wear personal protective equipment.

- Take the following points into account to minimize the vibration and noise exposure risks:
- Only use the product as intended by its design and these instructions.
- Ensure that the product is in good condition and well maintained.
- Use correct application tools for the product and ensure they in good condition.
- Keep tight grip on the handles/gripping surface.
- Maintain this product in accordance with these instructions and keep it well lubricated (where appropriate).
- Plan your work schedule to spread any high vibration tool use across a longer period of time.

Emergency

- Familiarise yourself with the use of this product by means of this instruction manual. Memorise the safety directions and follow them to the letter. This will help to prevent risks and hazards.
- Always be alert when using this product, so that you can recognise and handle risks early. Fast intervention can prevent serious injury and damage to property.
- Switch off and disconnect from the power supply if there is any malfunction. Have the product checked by a qualified specialist and repaired, if necessary, before you put it into operation again.



Safety Information

Important - Please read these instructions fully before starting assembly

Residual risks

Even if you are operating this product in accordance with all the safety requirements, potential risks of injury and damage remain. The following dangers can arise in connection with the structure and design of this product:

- Health defects resulting from vibration emissions if the product is being used over long periods of time, or not adequately managed and properly maintained.
- Injuries and damage to property due to broken tools or the sudden impact of hidden objects during use.
- Danger of injury and property damage caused by flying objects or debris.

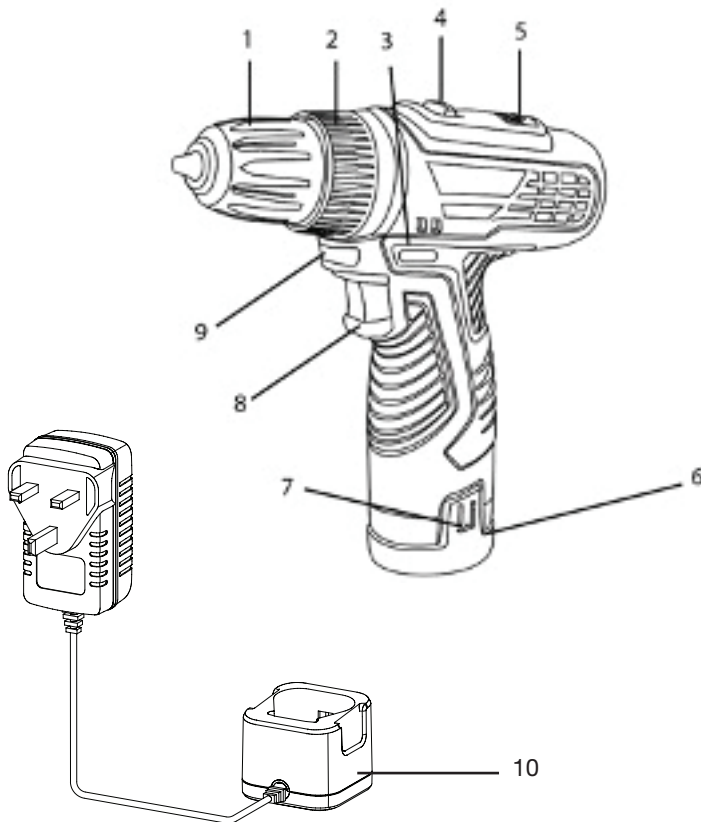


WARNING! This product produces an electromagnetic field during operation. This field may, under some circumstances, interfere with active or passive medical implants. To reduce the risk of serious or fatal injury, we recommend persons with medical implants consult their doctor and the medical implant manufacturer before operating this product.

Part List

Parts Description

- | | |
|-------------------------------------|--------------------------------|
| 1. Keyless chuck | 6. Battery pack |
| 2. Torque adjustment ring | 7. Battery pack release button |
| 3. Forward/reverse control button | 8. On/Off Switch |
| 4. Gear speed selection - (I or II) | 9. LED light |
| 5. Battery capacity indicator | 10. Charger |



Before use

Preparing to assemble the drill



NOTE: Before using the tool, read the instruction manual carefully.

Intended Use

This tool is intended for driving in and loosening screws as well as for drilling in wood, metal and plastic.

For safety reasons, it is essential to read this entire instruction manual before first operation and to observe all the instructions herein. This product is intended for private domestic use only, not for any commercial trade use. It must not be used for any purposes other than those described in this manual.

Assembly

Unpacking

- Unpack all parts and lay them on a flat, stable surface.
- Remove all packing materials and shipping devices if applicable.
- Make sure the delivery contents are complete and free of any damage. If you find that parts are missing or show damage, do not use the product but contact the aftersales service within 28 days of purchase. Using an incomplete or damaged product represents a hazard to people and property.
- Ensure that you have all the accessories and tools needed for assembly and operation. This also includes suitable personal protective equipment.



NOTE: This product is fully assembled. There is no additional assembly except battery pack before using.

Preparation

Checking battery capacity



WARNING!

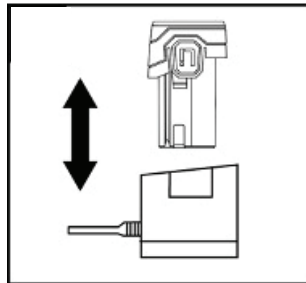
The charger and battery pack are specifically designed to work together so do not attempt to use any other devices. Never insert or allow metallic objects into your charger or battery pack connections; an electrical failure and hazard will occur.

The battery needs to be charged before first use and whenever it fails to produce sufficient power on jobs that were easily done before.

Charging Procedure

NOTE:

- Do not use any charger other than that specifically provided for use with the tool.
- If the battery pack is very hot, you must remove your battery pack from the charger and allow time for your battery pack to cool down before recharging.
- The battery in your new tool is not charged when it leaves the plant. Therefore, it must be fully charged before using the first time.
- Please charge the battery to reach full or no less than half charge before storage. If the tool will not be used for long periods of time, charge the battery every 3-6 months.



Check the battery capacity via battery capacity indicator on the drill.

Press the button and check the LEDs:

- Red: battery too low
- Red + yellow: battery half charged
- Red + yellow + green: battery fully charged.

Preparation

Charging

- Plug charger plug into a suitable power outlet, and the charger indicator will be green.
- Insert the battery pack into the charger socket, the charger indicator will be red to indicate the charging process has started.
- On completion of charge, the charger indicator is green.
- The pack is now fully charged, unplug the charger and remove the battery pack.

IMPORTANT:

When charging, the charger and battery may become warm to the touch, this is normal and does not indicate a problem.



WARNING!

When the battery charge runs out after continuous use or exposure to direct sunlight or heat, allow time for the tool to cool down before re-charging to achieve the full charge.

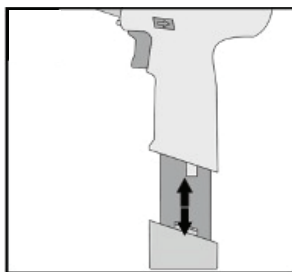
Installing and removing the battery pack

TO REMOVE THE BATTERY PACK

First, press the Battery Pack Release Button firmly and then pull the Battery Pack out from your tool.

TO INSTALL THE BATTERY PACK

Position the fully charged Battery Pack into the tool with sufficient force until it clicks into position.



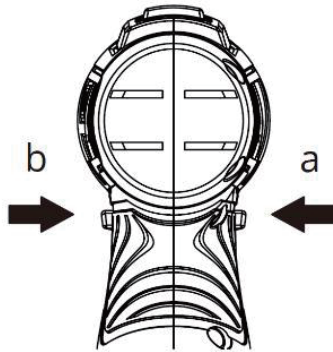
Operation

Switching on/off





WARNING! Do not operate for long periods at low speed because excess heat will be produced internally.

Press the On/off switch to start and release it to stop your drill. It is also a variable speed switch that delivers higher speed and torque with increased trigger pressure. The speed is controlled by the amount you depress the trigger.



Switch trigger lock

The switch trigger can be locked in the OFF position. This helps to reduce the possibility of accidental starting when not in use. To lock the switch trigger, place the Forward/reverse control in the center position.

For drilling and screw driving, depress the forward rotation marked a “” (Forward/reverse control button is moved to the left). Only use the reverse rotation marked b “” (Forward/reverse control button is moved to the right) to remove screws or release a jammed drill-bit.



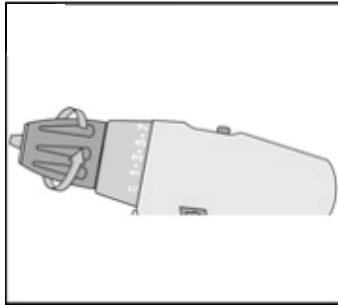
WARNING! Never change the direction of rotation when the chuck is rotating. Wait until it has stopped!

Operation

Chuck adjustment

To open the chuck jaws, hold the rear section and rotate the front section of the chuck.

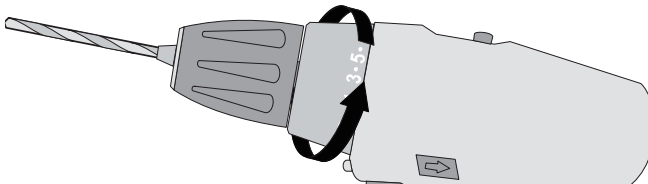
Insert the drill bit between the chuck jaws and rotate the front section in the opposite direction. Ensure the drill bit is in the center of the chuck jaws. Finally, firmly rotate the front chuck section in the opposite directions. Your drill bit is now clamped in the chuck.




Torque adjustment

The torque is adjusted by rotating the torque adjustment ring.

This drill has variable torque settings, allowing you to complete a wide variety of tasks. The torque can be adjusted by rotating the torque adjustment ring.



When driving screws in, the harder the material the lower speed and more torque you're likely to need. When drilling holes, the harder the material the higher the speed required to get the best result. Use the following table to help select the best setting to complete your task:

1-4	1 - 4 for driving small screws
5-9	5 - 9 for driving screws into soft material
10-14	10 - 14 for driving screws into soft and hard material
15-20	15 - 20 for driving screws into hard wood
	for heavy drilling.

Operation

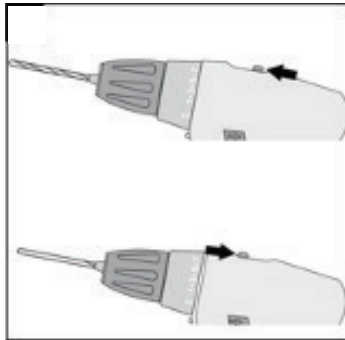
Using the sight light

To turn on the light, simply press the on/off switch and make sure the forward/reverse rotation control is in the right/left position. When you release the on/off switch, the light will be off.

LED lighting increases visibility; great for dark or enclosed areas.

Gear selection

For drilling with large drill diameters, choose the slow gear speed I. For drilling with small diameters, choose the fast gear speed II.



Drilling

- When drilling into a hard smooth surface, use a centre punch to mark the desired hole location. This will prevent the drill bit from slipping off centre as the hole is started. Hold the tool firmly and place the tip of the bit at the point to be drilled. Depress the switch trigger to start the tool. Move the drill bit into the workpiece, applying only enough pressure to keep the bit cutting. Do not force or apply side pressure to elongate a hole.
- If you want to activate the drill function (for drilling wood or plastic), turn the torque adjustment ring on the drill position.

Operation

Over load protection

When the drill is overloaded, the motor automatically comes to a stop.

Relieve the load on the tool immediately and release the on/off switch. Restart the tool as normal.

Temperature dependent overload protection

When using as intended, the power tool cannot be subject to overload. When the load is too high or the allowable battery temperature is too hot, the electronic control switches off the power tool until the temperature is in the optimum temperature range again.

Protection against deep discharging

The lithium-ion battery is protected against deep discharging by the "Discharging Protection System". When the battery is empty, the tool is switched off by means of a protective circuit; The drill will no longer rotate. Remove the battery and recharge.

Maintenance and Storage

Maintenance and Storage



WARNING! Remove the battery pack from the tool before carrying out any adjustment, servicing or maintenance.



WARNING! This product does not contain any parts that can be repaired by the consumer. Contact an authorized service centre or a similarly qualified person to have it checked and repaired.



WARNING! Always switch the product off, remove battery pack and let the product cool down before performing inspection, maintenance and cleaning work!

- Never use water or chemical cleaners to clean your power tool.
- Wipe clean with a dry cloth.
- Always store your power tool in a dry place.
- Keep the motor ventilation slots clean.
- Keep all working controls free of dust.
- Occasionally you may see sparks through the ventilation slots. This is normal and will not damage your power tool.
- The ambient temperature range for tool and battery use and storage is 0°C -40°C.
- The recommended ambient temperature range for the charging system during charging is 0°C -40°C.
- Regular and proper cleaning will help ensure safe use and prolong the life of the product.
- Inspect the product before each use for worn and damaged parts. Do not operate it if you find broken and worn parts.
- Keep all nuts, bolts and screws tight to be sure that the product is in safe working condition.
- After cleaning the unit thoroughly. Store the unit in a safe, dry room, allowing the motor to cool down beforehand.
- Store the product out of the reach of children.
- Use the original packaging whenever possible.
- Always carry the product by its handles/gripping surfaces.
- Protect the product from any heavy impact or strong vibrations which may occur during transportation in vehicles.
- Secure the product to prevent it from slipping or falling over.

Troubleshooting

General Troubleshooting

Although your new cordless drill driver is really easy to operate, if you do experience problems, please check the following:

Problem	Possible case	Solution
Can't turn on	<ol style="list-style-type: none">1. Battery not fully connected2. Low battery capacity3. The forward/reverse rotation control, which is on top of the trigger, is positioned in the lock function.4. Battery stored outside of battery temperature	<ol style="list-style-type: none">1. Remove the battery and reinsert it.2. Recharge battery; also see "Charging The Battery"3. Depress forward / reverse button as you require.4. Allow battery to warm/cool naturally to room temperature (within battery operating temperature 10–40 °C)
Product suddenly Stops	<ol style="list-style-type: none">1. Overload protection: Extremely high torque, binding and stalling situations,overloading of the tool2. The battery pack is overheat	<ol style="list-style-type: none">1. Relieve the load immediately, reset the tool by switching off and back on again.2. Cool down the battery
Temperature extremely high	Product is overheat	Please let the machine to cool completely.
Battery charge indicator does not light up	<ol style="list-style-type: none">1. Mains plug of battery charger not plugged in (properly)2. Socket outlet, mains cable or battery charger defective	<ol style="list-style-type: none">1. Insert mains plug (fully) into the socket outlet2. Contact service centre at 0345 605 2062

Technical Data

Technical Data Table

Model No.	MCLDD108
Voltage	10.8V(Max.12V)DC
Battery type	Lithium-ion
No load speed	"I":0-350/min "II": 0-1400/min
Torque Setting	20+1
Max torque	25Nm
Chuck size	10mm
Max. drilling capacity	20mm for wood 6mm for steel
Charger	
Model no.	YB-S321302200B
Input voltage & power	220-240V~ 50/60Hz 2.2A
Output voltage & current	13V --- 2.2A
Protection class	II
Battery pack	
Model no.	D023-2.0
Battery voltage	10.8V --- Li-Ion
Battery capacity	2.0Ah
Noise and vibration data	
A weighted sound pressure	L_{pA} : 62.1 dB(A) K=5dB(A)
A weighted sound power	L_{WA} : 70.1 dB(A) K=5dB(A)
The vibration total value	a_h =1.097 m/s ² K: 1,5 m/s ²

Noise and vibration data



WARNING!

The sound values have been determined according to the noise test code given in EN 62841-1 and EN 62841-2-1.

The declared vibration value (according to EN 62841-1) has been measured in accordance with a standard test method, and may be used for comparing one product with another.

The declared vibration value may also be used in a preliminary assessment of exposure.

Technical Data

Noise and vibration data

Depending on the actual use of the product, the vibration values can differ from the declared total. Adopt proper measures to protect yourself against vibration exposure.

Take into consideration the whole work process, including times the product is running under no load or is switched off.



WARNING!

This equipment may cause Hand-Arm Vibration Syndrome (HAVS) if its use is not adequately monitored and managed.

Preventative measures include, among others, regular maintenance and care of the product and cutting attachments, keeping hands warm and periodical breaks, as well as proper planning of work processes.

Recycling and Disposal

Recycling and disposal



The product comes in a package that protects it against damage during shipping. Keep the packaging until you are sure that all parts have been delivered and the product is functioning properly. Recycle the packaging afterwards.

Old products are potentially recyclable and do not, therefore, belong in your household waste. You are requested to assist us and our contribution to saving resources and protecting the environment by handing this product at an equipped collection centre.

Getting Help

Customer Helpline 0345 605 2062

Our dedicated UK based customer service centre is open 7 days a week to assist you with assembly, parts queries and technical support. We are open during office hours. Our experts are here to get you back enjoying your garden in no time.

Calling our service does not affect your statutory rights.
UK/N.I. 0345 605 2062

Guarantee

Dear Customer,

In the unlikely event that your device develops a fault, please contact our customer service department on the following telephone number shown below (0345 605 2062).

1. These warranty terms cover additional warranty rights and do not affect your statutory warranty rights. Claims must be accompanied by proof of purchase. This must be in the form of a sales receipt or bank statement and must show that the product has been purchased within 2 year prior to the claim, from the retailer that it was originally sold to.
2. Our warranty covers problems caused by material or manufacturing defects, and will result in the repair of these defects or replacement of the product with a like for like or similar article. Please note that our product have not been designed for use in commercial, trade or industrial applications. Consequently, the warranty is invalidated if the equipment is used in commercial, trade or industrial applications or for other equivalent activities.
3. The following are also excluded from our warranty:
 - A. Faults due to accidents, customer misuse or unauthorized repairs
 - B. Consumable parts such as shoulder strap, blade cover and other accessories that are compatible with the product.
 - C. Failure due to lack of routine maintenance.
 - D. Failure as a result of not using the equipment in accordance with the manual and safety instructions
 - E. The adjustment of chargers, or battery packs
4. The warranty is valid for a period of 2 year starting from the purchase date of the product. Warranty claims should be submitted before the end of the warranty period within two weeks of the defect being noticed. No warranty claims will be accepted after the end of the warranty period. The original guarantee period remains applicable to the product even if repairs are carried out or parts are replaced. In such cases, the work performed or parts fitted will not result in an extension of the warranty period, and no new warranty will become active for the work performed or parts fitted. This also applies when an on-site Service is used.
5. Please keep your sales receipt in a safe place. If the defect is covered by our warranty your product will either be repaired under the terms of warranty or we will send you a replacement product. This product may be re-conditioned or like for like replacement.