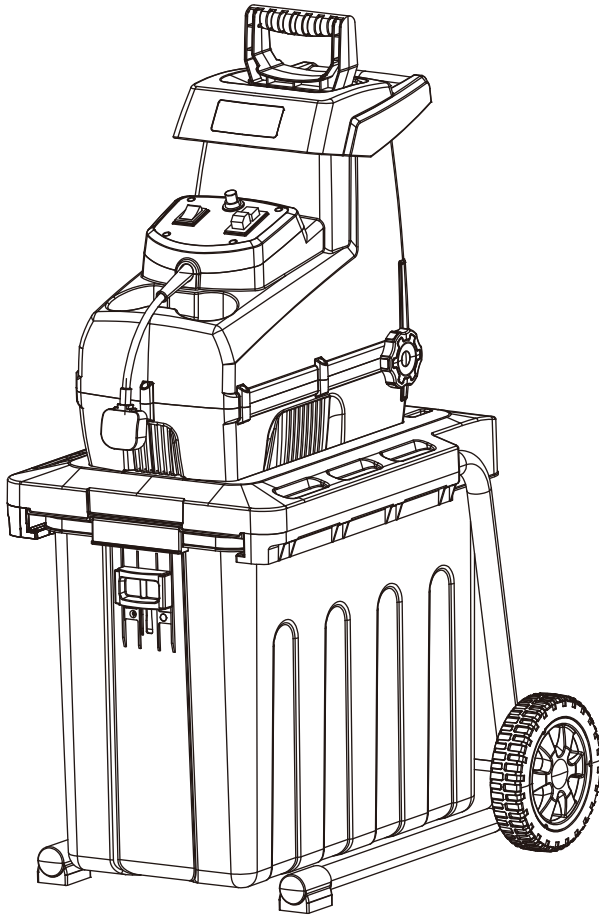




Original User Instructions

2800W Garden Shredder

SKU: AH935



READ BEFORE USE

PLEASE KEEP THESE INSTRUCTIONS FOR FURTHER REFERENCE

PRODUCT SUPPORT

In the unlikely event of you needing technical support, replacement parts, or you believe a repair is needed, please contact us in the first instance by following the steps below.



SCAN ME

STEP 1

Find your proof of purchase and scan this QR code **OR** call our helpline below

STEP 2

Get in touch with our team and receive expert technical support



STEP 3

Our team will arrange collection to repair your product under warranty **OR** an alternative resolution



STEP 4

Your product will be assessed and if required, repaired back to full working order



STEP 5

Your repaired product will be returned to you via courier within 10 days



GET IN TOUCH

 01904 947568

 support@coreservice.co.uk

We recommend you keep the original packaging, if repair is needed.

 Technical support: 9am-5pm, Mon-Fri

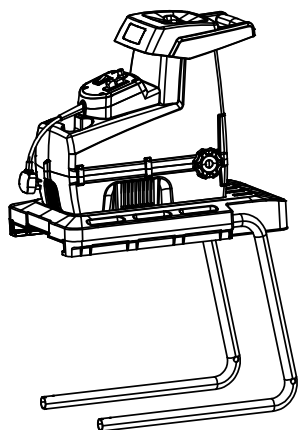
 Helpline: 24/7


HAWKSMOOR

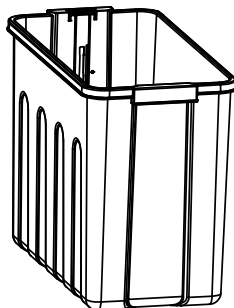
CONTENTS

• WHAT'S IN THE BOX -----	4
• SPECIFICATIONS -----	5
• EXPLANATIONS AND SYMBOLS, CAUTIONS AND WARNINGS -----	6
• IMPORTANT SAFETY WARNINGS -----	8
• PRODUCT DESCRIPTION AND IDENTIFICATIONS -----	16
• ASSEMBLY AND OPERATING INSTRUCTIONS -----	17
• CARE AND CLEANING -----	27
• TROUBLESHOOTING -----	28
• DECLARATION OF CONFORMITY / PERFORMANCE -----	29
• ENVIRONMENTAL INFORMATION -----	30
• WARRANTY -----	31
• CUSTOMER SUPPORT -----	31

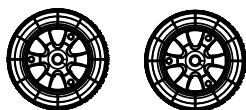
WHAT'S IN THE BOX



Shredder housing



Collection box



Wheels x 2



Wheel caps x 2



Plunger



Sleeves x 2



Washers x 2
Nuts x 2



Hex key



Wheel axle



Wrench

If you do not have all these items, please contact:

www.coreservice.co.uk

Hotline: +44 01904 947568

Email support@coreservice.co.uk

SPECIFICATIONS

Technical Data	
SKU/Model	AH935/GY6610
Rated voltage (V)	230-240V~ 50Hz
Rated power (W)	2800W (P40)
No load speed (RPM)	60
Max. cutting dia. (mm)	Ø44
Measured sound pressure level dB(A)	L_{pA} :79.1dB(A), K=3
Measured sound power level dB(A)	L_{wA} :91.7dB(A), K=2.67
Guaranteed sound power level dB(A)	94dB(A)
Cable	H07RN-F, 2x1.5mm ² , 3 metres, BS plug
IP rating	IPX4
Net weight (kg) approx.	20

Note: The above specifications are the MAXIMUM capacities of the tool. The maximum branch diameter depends on the hardness of the wood and its branches scale.

EXPLANATIONS AND SYMBOLS, CAUTIONS AND WARNINGS



Please read this user manual carefully and keep it for further reference.



Warning of accident and injury to persons and serious damage to property.



Wear safety glasses and hearing protection for protection of your eyes and ears.



Wear protective gloves for protection of your hands.



Do not use the appliance in wet or humid conditions for protection of electric shock.



Warning! Switch off and remove the plug from mains before adjusting, cleaning or if the cord is damaged.



Take care that no metal parts, stones, bottles, cans or other debris are included when introducing material into the appliance.



Warning! Read the instruction manual, prior to use and familiarise yourself with the controls and proper use of the appliance.



Danger! Rotating blades. Keep hands and feet out of openings while the machine is running. Do not reach into the intake opening or the discharge chute. The blades will continue to rotate for approx. 5 seconds after the appliance has been switched off.



Do not step on the recovery tank.



Keep bystanders away.



Blades continue to rotate after machine is switched off.



Disconnect the mains plug if the cord becomes damaged or entangled. DO NOT TOUCH THE CORD BEFORE DISCONNECTING THE SUPPLY.



Turn the cutting plate adjustment knob clockwise for narrower clearance / anticlockwise for wider clearance.



Fully press down the interlock switch to position "OFF". Fully pull up the interlock switch to position "ON"



Guaranteed sound power level.



Double insulation. Protection class II



The product complies with the applicable European Directives and an evaluation method of conformity for these Directives was done.



UK Conformity Assessed



This marking indicates that this product should not be disposed with other household wastes. To prevent possible harm to the environment or human health from uncontrolled waste disposal, recycle it responsibly to promote the sustainable reuse of material resources.



IMPORTANT SAFETY WARNINGS

General Safety Instructions



Warning: Please read the following instructions carefully, failure to do so could lead to serious personal injury. When using the electric cutting shredder, basic safety precautions, including the following, should always be followed to reduce the risk of fire, electric shock and personal injury. Read all these instructions before operating this product and save these instructions.

Become familiar with the owner's manual before attempting to operate this machine.

- This appliance is not intended for use by persons (including children) with reduced physical, sensory or mental capabilities, or lack of experience and knowledge, unless they have been given supervision or instruction concerning use of the appliance by a person responsible for their safety.
- Children should be supervised to ensure that they do not play with the appliance.
- Follow the checklist below, before attempting to use the machine.
 - The sheathing of the flex in the plug or socket is securely gripped under the cord grip.
 - There is no damage to the sheath of the extension lead.
 - The cable is not trapped under the wheel or support feet to avoid damage or accidental tripping.
 - The lead is fully unwound from the reel to avoid overheating.

- Note: The electrical AC mains supply may experience voltage drops when starting this equipment. This can influence other equipment (e.g. blinking of lights). If the AC mains supply impedance Z_{max} is less than 0.40 Ohm at 50Hz, such disturbances are not expected. If necessary, you may contact your local supply authority for further information.
- Use outdoor extension leads: When this tool is used outdoors, use only extension cords intended for outdoor use.
- Keep work area clean: Cluttered and untidy areas invite injuries.
- Consider work area environment
 - Do not expose this shredder to rain.
 - Do not use power tools in damp or wet conditions.
 - Keep work areas well lit.
 - Do not use power tools where there is a risk of causing fire or explosion.
- Guard against electric shock: Avoid body contact with earthed or grounded surfaces, e.g. pipes, cables etc.
- Keep children and pets away from the work area: Do not let visitors touch the tool or extension cord. All visitors should be kept away from the work area.
- Store the idle tool: When not in use, tools should be stored in a dry, high or locked up place, out of reach of children.
- Use the right tool: Do not force this shredder or attachments to do the job of a heavy-duty tool. Do not use this tool for a purpose for which it is not intended.
- Dress properly: Do not wear loose clothing or jewelry. They can be caught in moving parts. Gloves and non-slip footwear are recommended when working outdoors. Wear protective hair covering to contain long hair.
- Use protective equipment: Use safety glasses, a face or dust mask if the cutting operation is dirty. When using for extended periods, or when the noise level is high, use hearing protection.

- Do not force the tool: It will do the job better and safer at the rate for which it was intended.
- Arrange cord: Ensure the cord is arranged so that it cannot be tripped over, stepped on or have heavy weights rested on it and make sure that the cord will not be subjected to any damage.
- Do not abuse the cable: Never carry the tool by the cord or pull it to disconnect it from the socket. Keep the cord away from heat, oil and sharp edges.
- Do not overreach: Keep proper footing and balance at all times.
- Maintaining your tool: Keep cutting blades sharp and clean for better performance. Follow instructions for lubrication and changing accessories. Inspect tool cable periodically and if damaged have it repaired by an authorised service facility. Inspect extension cable periodically and replace if damaged. Keep handles dry, clean and free from oil and grease.
- Check damaged parts: Before further use of the tool, a guard or other part that is damaged should be carefully checked to determine that it will operate properly and perform its intended function. Check for alignment of moving parts, free running of moving parts, damage to parts, mounting and any other conditions that may affect its operation. A guard or other part that is damaged should be properly repaired or replaced by an authorised service center unless otherwise indicated in this instruction manual. Have defective switches replaced by an authorised service facility. Do not use the tool if the switch does not turn it on and off.
- Disconnect tools: When not in use, before servicing and when changing accessories such as blades and cutters, always ensure the machine is disconnected from the mains supply.
- Removing keys and wrenches: Form the habit of checking to see that keys and adjusting wrenches are removed from the tool before turning it on.

- Avoid unintentional starting: Do not move a plugged-in tool with a finger on the switch. Ensure the switch is off when plugging in.
- Stay alert: Watch what you are doing. Use common sense. Do not operate the tool when you are tired.
- Warning! The use of any accessory or attachment, other than those recommended in this instruction manual, may present a risk of personal injury.
- Have your tool repaired by a qualified person: This electric tool is in accordance with the relevant safety requirements. Repairs should only be carried out by qualified persons using original spare parts, otherwise this may result in considerable danger to the user. Do not attempt to open the casing of the tool. The power supply cord of the tool should be replaced by an authorised service agent.

Additional safety advice

- The supply voltage must correspond to the voltage specified on the nameplate.
- It is recommended that the shredder should be used with a Residual Current Device (R.C.D.) with a tripping current of no more than 30mA.
- Only use extension cables no lighter than rubber-insulated flexible cord (H07RN-F). Preferably use brightly colored extension leads that are clearly visible.
- Watch what you are doing. Use common sense.
- Take care when the blades are in operation.
- Do not abuse the cable. Never move the shredder by the cable or pull the cable to disconnect it from the socket. Keep the cable away from heat, oil, and sharp edges. Ensure that the cable is arranged so that it cannot be tripped over, stepped on or have heavy weights rested on it. Make sure the cable will not be subjected to any damage.

- Do not attempt to open the casing of the machine. Do not attempt to modify the machine in any way.
- The supply cord should only be replaced by an authorised service agent.
- Not to use the shredder, if the cords are damaged or worn.
- Not to connect a damaged cord to the mains supply or touch a damaged cord before it is disconnected from the mains supply. A damaged cord can lead to contact with live parts.
- Not to touch the shredding means before the machine is disconnected from the mains supply and the shredding means have come to a complete stop.
- Keep extension cords away from the shredding means. The shredding means can cause damage to the cords and lead to contact with live parts.
- Pull the plug from the socket:
 - Whenever the machine is left unattended.
 - Before cleaning a blockage.
 - Before checking, cleaning or working on the appliance.
 - After striking a foreign object, inspect the appliance for damage and make repairs as necessary.
 - Whenever the machine starts vibrating abnormally.

Cutting Shredder Warnings and Safety Instructions

Preparation

- Do not allow children to operate this equipment.
- Do not operate this equipment in the vicinity of bystanders.
- Do not connect a damaged cord to the mains supply or touch a damaged cord before it is disconnected from mains supply. A damaged cord can lead to contact with live parts.
- Wear ear protection and safety glasses at all times while operating the machine.

- Avoid wearing clothing that is loose-fitting or that has hanging cords or ties.
- Only operate the machine in open space (e.g. not close to a wall or other fixed object) and on a firm, level surface.
- Do not operate the machine on a paved or gravel surface where ejected material could cause injury.
- Before starting the machine, check that all screws, nuts, bolts, and other fasteners are properly secured and that guards and screens are in place. Replace damaged or unreadable labels.

Operation

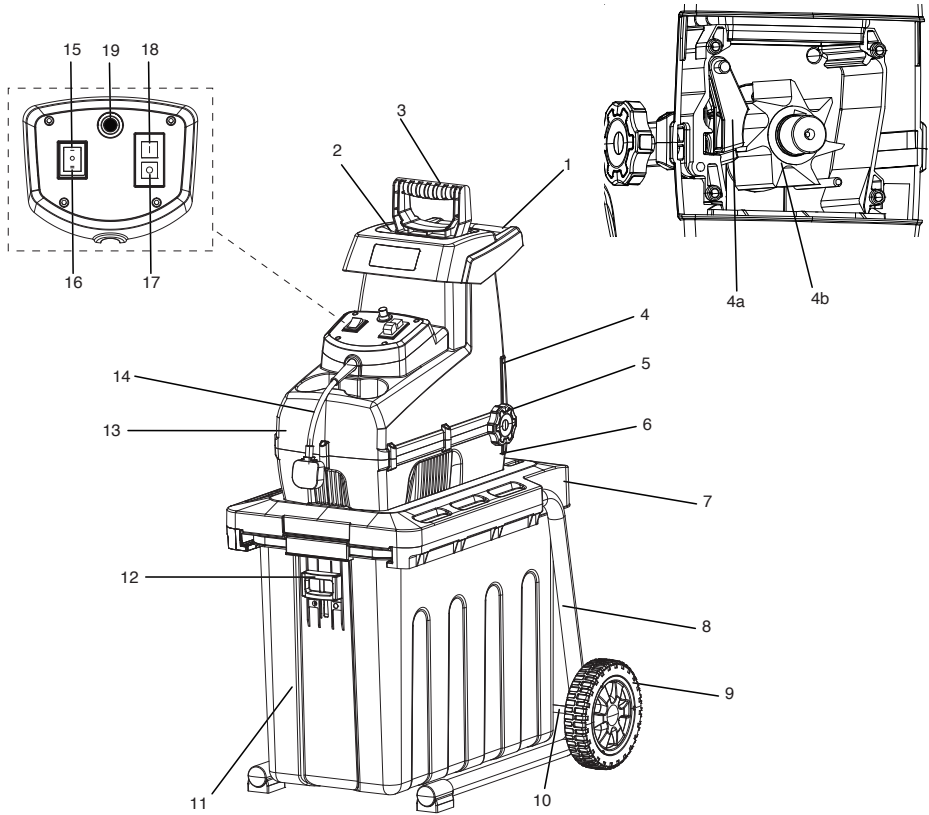
- Before starting the machine, look into the feeding funnel chamber to make certain that it is empty.
- The shredder has high power consumption. Do not share a power outlet with other devices to prevent the BS plug from activating overload protection or blowing the fuse.
- Keep your face and body away from the feed intake opening.
- Do not allow hands or any other part of the body or clothing inside the feeding chamber, discharge chute, or near any moving part.
- Keep proper balance and footing at all times. Do not overreach. Never stand at a higher level than the base of the machine when feeding material into it.
- Always stand clear of the discharge zone when operating this machine.
- When feeding material into the machine, be extremely careful that pieces of metal, rocks, bottles, cans or other foreign objects are not included.

- If the cutting mechanism strikes any foreign objects or if the machine should start making any unusual noise or vibration, shut off the power source and allow the machine to stop. Disconnect from mains supply and take the following steps:
 - Inspect for damage.
 - Check for and tighten any loose parts.
 - Have any damaged parts replaced or repaired with parts having equivalent specifications.
- Do not allow processed material to build up in the discharge zone; this may prevent proper discharge and can result in kickback of material through the feed intake opening.
- If the machine becomes clogged, shut off the power source and disconnect from mains supply before clearing debris. Keep the power source clear of debris and other accumulations to prevent damage to the power source or possible fire. Remember that operating the starting mechanism on engine powered machines will still cause the cutting means to move.
- Keep all guards and deflectors in place and in good working condition.
- Do not transport this machine while the power source is running.
- Shut off the power source and disconnect from mains supply whenever you leave the work area.
- Do not tilt the machine while the power source is running.
- Keep extension cords away from the shredding means. The shredding means can cause damage to the cords and lead to contact with live parts.

Maintenance and storage

- When the machine is stopped for servicing, inspection, or storage, or to change an accessory, shut off the power source, disconnect from mains supply, make sure that all moving parts have come to a complete stop and where a key is fitted, remove the key. Allow the machine to cool before making any inspections, adjustments, etc.
- Always allow the machine to cool before storing.
- When servicing the cutting means be aware that, even though the power source will not start due to the interlock feature of the collection box, the cutting means can still be moved by a manual starting mechanism.
- Keep the motor cooling vents clean of debris and other accumulations to prevent damage to the motor or possible fire.
- If an extension cord is used it shall not be of lighter grade than the supply cord already fitted to the appliance.
- Check the supply and any extension cord regularly for damage or signs of ageing. Do not use the appliance, if the cords are damaged.
- Never attempt to override the interlock feature of the hopper assembly.

PRODUCT DESCRIPTION AND IDENTIFICATIONS



- | | |
|----------------------------|----------------------|
| 1. Handle | 10. Wheel axle |
| 2. Feeding funnel | 11. Collection box |
| 3. Plunger | 12. Interlock switch |
| 4. Blade compartment guard | 13. Motor housing |
| 4a. Cutting plate | 14. Power cord |
| 4b. Cutting blades | 15. Forward switch |
| 5. Blade adjustment knob | 16. Reverse switch |
| 6. Discharge chute | 17. Off switch |
| 7. Base plate | 18. On switch |
| 8. Frame | 19. Reset button |
| 9. Wheel | |

Not all the accessories illustrated or described are included in standard delivery.

ASSEMBLY AND OPERATING INSTRUCTIONS

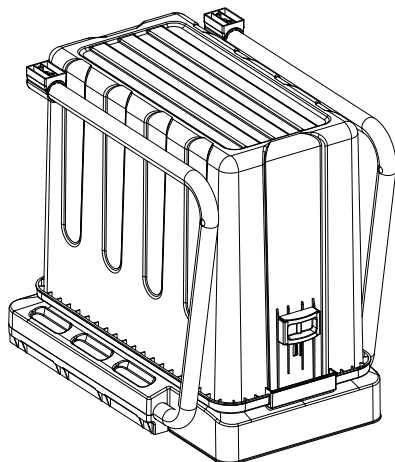


Caution! Before starting the appliance, check the protective devices and fastening elements for damage.

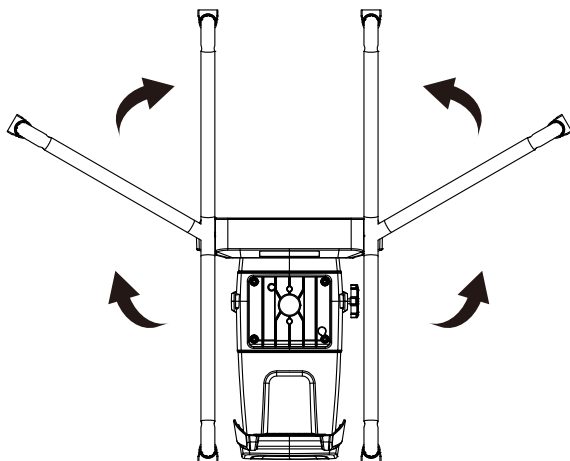
How do I assemble this product?

Please follow assembly instructions as below:

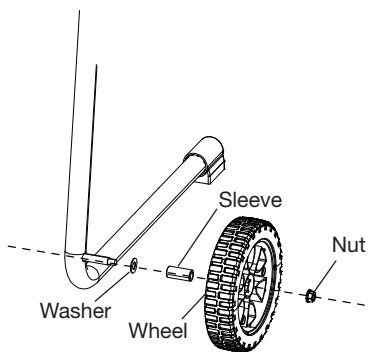
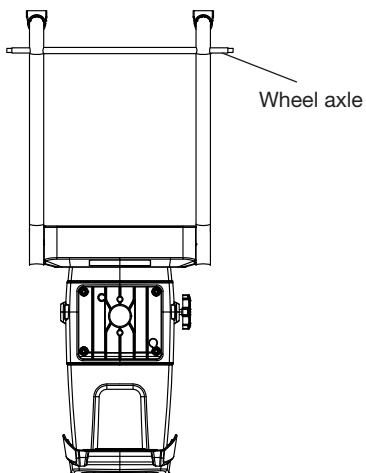
1. Open the packaging and remove the machine.



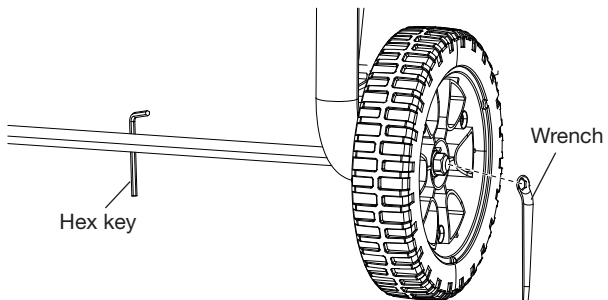
2. Remove the collection box (11) and turn the shredder upside down and pivot the legs upward.



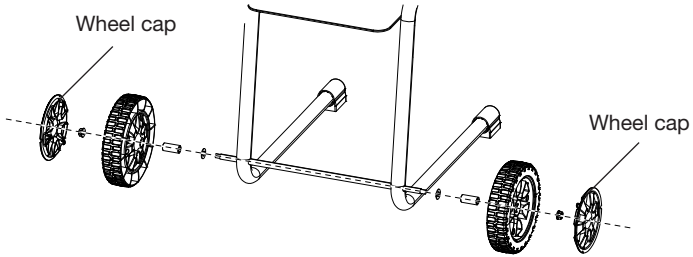
3. Align and pass the wheel axle (10) through the two side mounting holes of the frame. Then, attach the washer, the sleeve, the wheel (9) and the nut onto the wheel axle as shown below.



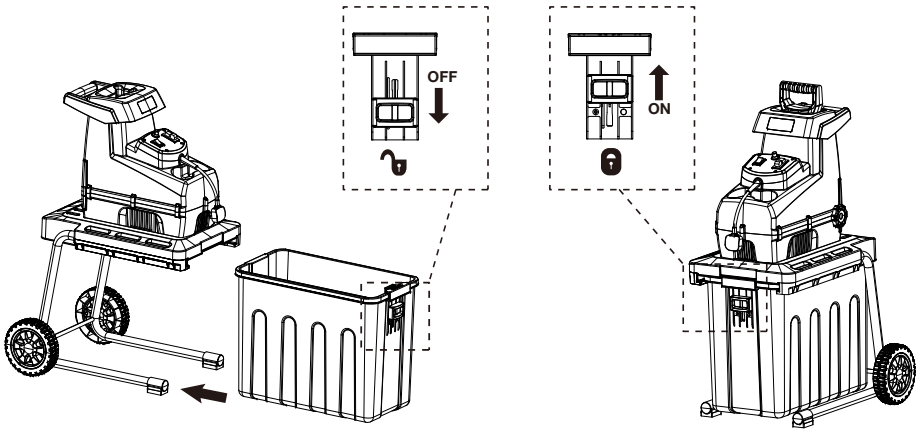
4. Tighten the nut by using the wrench and hex key.



5. Repeat the wheel assembly on the other side of wheel axle.
6. Align the three latches with the slots and attach the wheel caps onto the wheel. Ensure the latches snap in position.



7. Set the machine upright. Fully press down the interlock switch to position "OFF". Insert the collection box into the frame. Then, fully pull up the interlock switch to position "ON" to secure the collection box in position.



WARNING! The machine will not start if the interlock switch is not fully pulled up

The machine automatically stops if the interlock switch is unlocked during operation

How do I use this product?

Before using the machine, read the instructions thoroughly and acquaint yourself with the features of the machine.

Before inspecting or servicing any part of the machine, switch off, pull the plug from the mains and make sure that all moving parts have come to a complete stop.



Disconnect the mains plug if the cord becomes damaged or entangled. Do not touch the cord before disconnecting the supply.



Take care that no metal parts, stones, bottles, cans or other debris are included when introducing material into the feeding funnel.

1. Inspect the material to be shredded before starting. Remove any objects or debris that could be thrown, jammed or become entangled in the blades. Remove any soil from root balls. Foreign bodies like stones, glass, metals, fabrics, or plastics must not enter the feeding funnel, as these could damage the blades.
2. Always place the machine on firm level ground. During operation, do not tilt or move.
3. Allow the cutting blades to reach full speed before feeding the material into the feeding funnel.
4. Use the machine to shred the following materials only:

Owing to the different shapes of branches, it is recommended to shred branches up to 44mm in diameter.

- Waste from pruning bushes
 - Waste from trimming hedges
 - Plant material and other garden waste
 - Leaves and plant roots (remove soil from roots before shredding)
5. Do not put soft waste such as kitchen waste into the shredder.
 6. Feed the material to be shredded into the feeding funnel, if it is not too bulky, the material will be drawn in by the blades.
 7. Only insert as much material so that the feeding funnel does not become blocked.



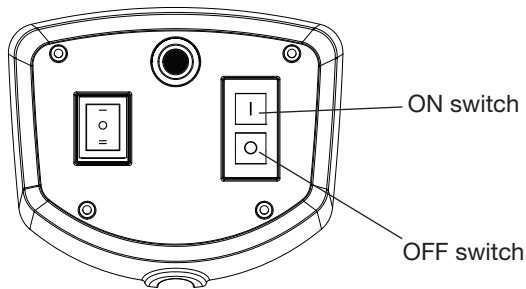
Warning: Long material extending out from the machine could whip when being drawn in by the blades, therefore please keep a safe distance from the shredder.

8. Ensure the shredded material can fall freely from the discharge chute.
9. To make finer chippings the shredded material can be shredded for a second time.
10. Do not allow the shredded material to build up to a level where it blocks the discharge chute. If the material builds up too much it could reach the cutting blades and be thrown out of the hopper.
11. Organic material contains a large amount of water and sap that can stick to the shredder. To avoid this, the material should be left for a few days to dry out.
12. If during cutting the blade stalls, stop the shredder immediately and disconnect it from the mains supply before investigating the cause.
13. Remove any jammed debris from the blades and examine them for any damage before re-commencing shredding.
14. If the blade has stalled for more than 5 seconds the safety overload switch will automatically switch the machine off. Allow the machine to cool down for at least 1 minute before restarting. Push the overload switch first and then push on the On/Off switch to re-start the machine.
15. If the cutting mechanism strikes any foreign object or if the shredder starts to make any unusual

noise or vibration, immediately switch off and allow the cutting blades to stop. Pull the plug from the mains supply and take the following steps:

- i) Inspect for damage.
 - ii) Replace or repair any damaged parts.
 - iii) Check for and tighten any loose parts.
16. If the shredder becomes clogged, switch off and allow the cutting blades to stop. Pull the plug from the mains supply before cleaning debris.
 17. Keep the motor cooling vents clear of debris and other accumulations to prevent damage to the motor or possible fire.
 18. Switch off, allow the cutting blades to stop and pull the plug from the mains supply whenever you leave the work area.
 19. Do not allow processed material to build up in the discharge chute. This may prevent proper discharge and can result in kickback of material through the feed intake opening.

Starting and Stopping the shredder

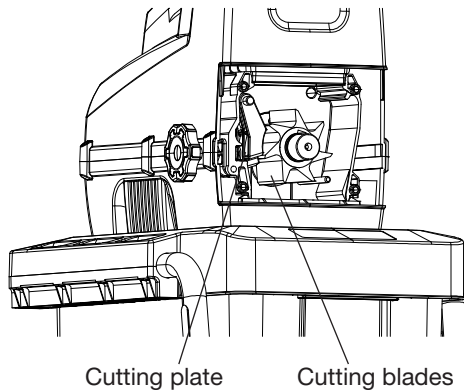
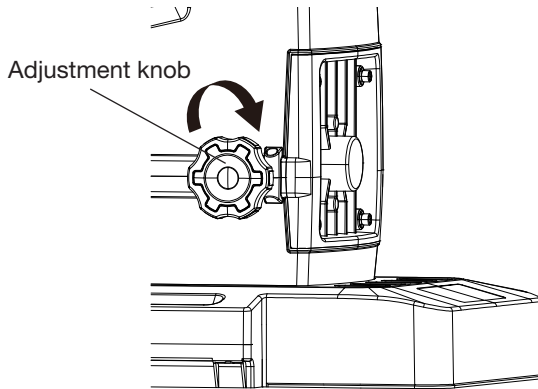


1. Make sure that the ON switch is not pressed. Connect the plug of the power cord to a suitable socket.
2. Press the ON switch for about 1 second to switch the machine on.
3. Press the OFF switch to switch the machine off.

Adjusting the blade clearance

NOTE: Always adjust the clearance between the cutting plate and cutting blades before using the machine for an effective operation.

1. Switch the machine on.
2. Turn the blade adjustment knob (5) slowly in a clockwise direction until a scraping noise is heard (The cutting plate (4a) making contact with the cutting blades (4b)).
3. As soon as the scraping noise is heard, rotate the adjustment knob anticlockwise 1/4 of a turn. Ensure that the cutting plate is set from 0 to 0.5 mm from the cutting blades.
4. Avoid unnecessary wear on the cutting plate by not over-adjusting.
5. Readjust if necessary.






WARNING! Stop adjusting when the gear touches the plate.

Forward/reverse operation



WARNING! Always switch the forward/reverse switch (15/16) to standby mode for 2 seconds before changing the forward/reverse mode.

NOTE: Use the reverse switch to release the jammed material. Repetitions of forward and reverse operations may be required to shred a large object.

Position	Operation mode	Application
	“I” Forward mode	For shredding
	“O” Standby mode	Switching between forward/reverse mode during operation (time interval: min. 2 seconds)
	“II” Reverse mode	For releasing jammed material

Overload protection



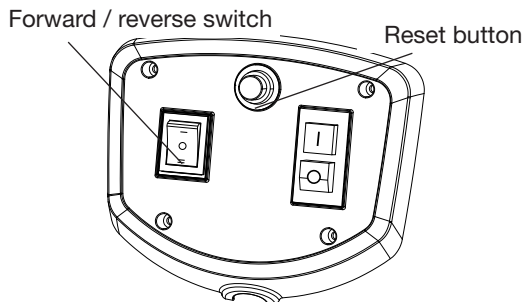
WARNING! Wear protective gloves when removing blockages
Use an implement to remove debris, e. g. a wooden stick



Never use your bare hands.

Machine is equipped with an overload protection.

1. The overload protection will automatically activate within 5 seconds and shut off the power supply.
2. In the event of the overload protection being activated, perform the following steps:
 - Wait until the blades completely stop.
 - Press OFF switch to switch the machine off.
 - Press the reset button.
 - Set the forward/reverse switch to reverse mode II.
 - Press the ON switch to switch the machine on. Carefully remove the jammed material from the feeding funnel.
 - Press OFF switch to switch the machine off.
 - Set the forward/reverse switch to forward mode I.
 - Press the ON switch to switch the machine on.
 - Feed softer/smaller material to perform a shredding test to ensure the machine runs smoothly before continuing further operation.



Shredding



Wear safety glasses and hearing protection for protection of your eyes and ears.



Wear protective gloves for protection of your hands.

1. Ensure the forward/reverse switch is on forward position I and the interlock switch is fully locked.
2. Press the ON switch to switch the machine on.
3. Slowly feed branches into the feeding funnel. Only insert as much feeding material as to avoid blockage or overload of the machine.
4. Wait until all the feeding material has been shredded before adding more material.

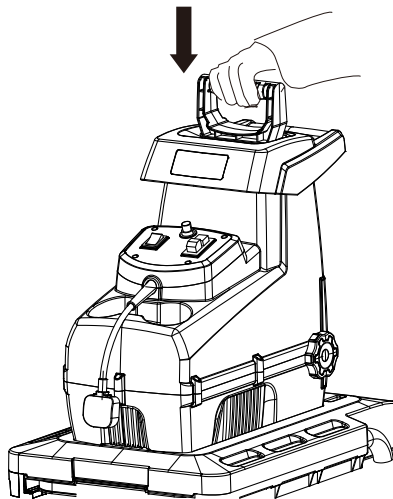


WARNING! Beware branches may 'whip' when being fed into the feeding funnel. Please hold the material with both hands and feed it into the feeding funnel.

Using the Plunger

A plunger is provided to aid feeding less bulky items such as small twigs, leaves and other garden waste into the feeding funnel.

1. Load the material into the feeding funnel.
2. Insert the plunger into the feeding funnel pushing the material onto the cutting blades.
3. Wait until all the material has been shredded before adding more material.



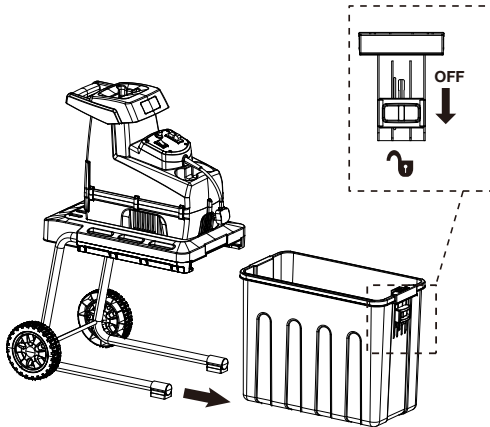
NOTE: Your fingers must never enter the feeding funnel.

NOTE: Never use the tool if the feeding funnel is not fitted.

NOTE: Do not overreach.

Emptying collection box

1. Switch the machine off and disconnect it from the power supply.
2. Fully press down the interlock switch to position “OFF”, carefully pull the collection box out of the frame.



Warning: Do not wait until the collection box is full to empty it.

Removing blockages



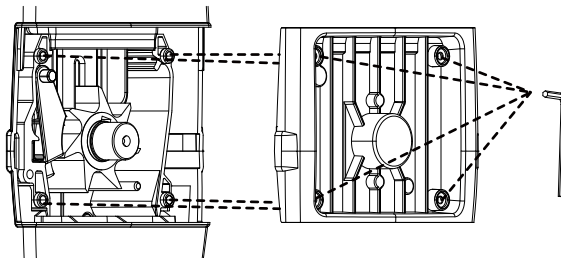
WARNING! Always switch the machine off, disconnect it from the power supply and allow to cool down before removing blockages.



Wear protective gloves when removing blockages. Use proper tools to remove debris, e. g. provided plunger. Never use your bare hands.

In the event of a severe blockage in the upper enclosure, remove by opening the blade compartment guard (4):

1. Press the OFF switch to switch the machine off. Wait until the cutting blades stop rotating completely.
2. Place the machine on an even surface.
3. Fully loosen the four mounting bolts anticlockwise with the hex key and remove the blade compartment guard.
4. Carefully remove the jammed material from the discharge chute.



CARE AND CLEANING

How do I maintain this product?



Warning: During maintenance and cleaning ensure the machine is disconnected from the mains.

1. When the appliance is stopped for servicing, inspection, storage, or to change an accessory, switch off and pull the plug from the mains supply before making any inspections, adjustments, etc.
2. If an extension cord is used, it shall not be of lighter grade than the supply cord already fitted to the appliance.
3. Check the supply and any extension cord regularly for damage or signs of ageing. Do not use the appliance, if the cords are damaged.
4. When servicing the cutting means be aware that, even though the motor will not start due to the interlock feature of the hopper assembly, the cutting means can still be moved if the motor is turned by hand.
5. Never attempt to override the interlock feature of the hopper assembly.
6. Remove deposited matter from the machine using a brush.
7. Always clean the machine after use. Clean the plastic body and plastic parts using soap and a moist cloth. Do not use aggressive agents or solvents for cleaning.
8. Never clean the shredder with a jet of water or by rinsing. Make sure that no water is allowed to enter the shredder.
9. Use only the recommended accessories and attachments for this shredder.

List of consumable parts

Plunger 8057-600001

TROUBLESHOOTING

Use this section to help you to try and solve any problems you may have:

Problem	Cause	Solutions
Product does not start	Not connected to power supply	Connect to power supply
	Power cord or plug is defective	Check by a specialist electrician
	Overload protection is activated	Refer to section "Overload protection"
	Interlock switch of the collection box is unlocked	Check and lock the interlock of collection box
	Other electrical defect to the product	Check by a specialist electrician
Product does not reach full power	Extension cord not suitable for operation with this product	Use a proper extension cord
	Power source (e. g. generator) has too low voltage	Connect to another power source
	Air vents are blocked	Clean the air vents
	Collection box is full	Empty collection box
Motor sounds but does not start	Cutting blades are blocked	Refer to section "Overload protection"
	Forward/reverse switch in middle position	Set the switch to forward "I" or reverse "II" position
	The blade compartment guard (4) is not fixed correctly	Fix the blade compartment guard correctly
Unsatisfactory result / shredding material is not cut cleanly	Cutting plate is not adequately adjusted	Adjust the cutting plate position
	Cutting blades are worn / damaged	Replace the blades
Excessive vibration or noise	Cutting blades are worn / damaged	Replace the blades
	Cutting blades are blocked	Remove the blockage
	Bolts/knobs are loose	Tighten the bolts/knobs

NOTE: IF YOU EXPERIENCE A PROBLEM WITH YOUR TOOL, PLEASE DO NOT ATTEMPT TO OPEN OR REPAIR THE TOOL YOURSELF. DOING SO MAY VOID THE WARRANTY AND COULD CAUSE DAMAGE OR PERSONAL INJURY. IF THE PROBLEM STILL PERSISTS, PLEASE CONTACT US BY REFERRING TO THE SERVICE & SUPPORT INFORMATION ON THE FOLLOWING PAGE.

DECLARATION OF CONFORMITY / PERFORMANCE



Product Code: AH935(GY6610)

Product Description: 2800W Garden Shredder

1. Toolstation (company number 04372131)

This declaration of conformity is issued under the sole responsibility of Toolstation

2. Object of the declaration

The object of the declaration described above is in conformity with the relevant Community harmonisation legislation:

Supply of Machinery (Safety) Regulations 2008
2006/42/EC

Electromagnetic Compatibility Regulations 2016
2014/30/EU

The Restriction of the Use of Certain Hazardous Substances in Electrical and Electronic Equipment
Regulations 2012

2011/65/EU&(EU)2015/863

2000/14/EC amended by 2005/88/EC:

-Measured Sound Power level:91.7dB(A),K=2.67dB(A)

-Guaranteed Sound Power level:94dB(A)

3. References to the relevant standards used or references to the specifications in relation to which conformity is declared:

BS EN IEC 60335-1

BS EN 50434

BS EN IEC 55014-1

BS EN IEC 55014-2

BS EN IEC 61000-3-2

BS EN IEC 61000-3-11

4. Additional information:

Signed for and on behalf of Toolstation Limited

ENVIRONMENTAL INFORMATION



The symbol on the product or its packaging indicates that this product must not be disposed of with your other household waste. Instead, it is your responsibility to dispose of your waste equipment by handing it over to a designated collection point for the recycling of waste electrical and electronic equipment. The separate collection and recycling of your waste equipment at the time of disposal will help conserve natural resources and ensure that it is recycled in a manner that protects human health and the environment. For more information about where you can drop off your waste for recycling, please contact your local authority, or where you purchased your product.

WARRANTY

Toolstation products deliver reliable service for normal, household use in domestic settings. All Toolstation products are individually tested before leaving the factory.

If you are a consumer and you experience a problem with your Toolstation product, which is found to be defective due to faulty materials or workmanship within the Warranty Period, this Toolstation Warranty will cover repair or - at the discretion of Toolstation – replacement with a functionally equivalent Toolstation product.

Your product is under warranty for 2 years from the date of purchase or the date of delivery of the product, if later.

The warranty is subject to the following provisions:

- The warranty does not cover accidental damage, misuse, knobs, or consumable items.
- The product must be correctly installed and operated in accordance with the instructions contained in this manual.
- It must be used solely for domestic purpose.
- The warranty will be rendered invalid if the product is re-sold or has been damaged by inexperienced repair.
- Specifications are subject to change without notice.
- The manufacturer disclaims any liability for incidental or consequential damages.
- The warranty is in addition to, and does not diminish your statutory or legal rights.

CUSTOMER SUPPORT

www.coreservice.co.uk

Call us +44 01904 947568

Email: support@coreservice.co.uk

Made in China

PRODUCT SUPPORT

In the unlikely event of you needing technical support, replacement parts, or you believe a repair is needed, please contact us in the first instance by following the steps below.



SCAN ME

STEP 1

Find your proof of purchase and scan this QR code **OR** call our helpline below

STEP 2

Get in touch with our team and receive expert technical support



STEP 3

Our team will arrange collection to repair your product under warranty **OR** an alternative resolution



STEP 4

Your product will be assessed and if required, repaired back to full working order



STEP 5

Your repaired product will be returned to you via courier within 10 days



GET IN TOUCH

 01904 947568

 support@coreservice.co.uk

We recommend you keep the original packaging, if repair is needed.

 Technical support: 9am-5pm, Mon-Fri

 Helpline: 24/7


HAWKSMOOR