

SOVEREIGN

EASY GARDENING

18V CORDLESS GRASS TRIMMER

ITEM No. 555374

Model No. ASYEGT01240



Technical Support & Parts

01904 727509

Mon-Fri 9am-5pm Sat-Sun 11am-4pm
www.gardenservicecentre.co.uk

INSTRUCTION MANUAL

Please read these instructions fully before starting assembly.

CONTENTS

General safety warning	3
Intended use	12
Warning symbols	12
In the box	15
Assemble the grass trimmer	16
Operating the grass trimmer	20
Maintenance and storage	23
Troubleshooting	24
Technical data	25
Recycling and disposal	27
Getting help	27
Warranty	28

GENERAL SAFETY WARNINGS

SAFETY WARNINGS



WARNING! Read all safety warnings and instructions.

Failure to follow the warnings and instructions may result in electric shock, fire and/or serious injury.



WARNING! Read all safety warnings and instructions designated by the  symbol. Save all warnings and instructions for future reference.

- Always ensure anyone intending to operate this grass trimmer is fully conversant with the contents of this assembly manual prior to assembling, maintaining or operating the grass trimmer.
- Perform assembly operations as described in this manual. Failure to observe this warning may lead to serious injury, death, or damage to the grass trimmer.
- Always take care when removing the packaging, to prevent damage to you or to the grass trimmer.

IMPORTANT! Before assembling the grass trimmer, check all the parts indicated in the manual are in the box. Inspect all the parts for signs of damage. Do not assemble the grass trimmer if you observe any damaged components.

GENERAL POWER TOOL SAFETY WARNINGS

- **Read the instructions carefully.** Be familiar with the controls and the correct use of the appliance. Read and understand the operator's manual and observe the warnings and instruction labels affixed to the appliance.
- **Users.** Never allow children or people unfamiliar with these instructions to use the appliance. Local regulations may restrict the age of the operator. Never operate the tool under the influence of alcohol, medication or drugs.
- **Use the appropriate tool.** This device is only intended for trimming hedges outdoors and only designated for use on private property. Do not force small tools or attachments to do the job of a heavy-duty tool.
- **Keep work areas clean.** Cluttered areas can cause accidents.
- **Consider work area environment.** Do not expose the tool to high humidity or rain. Do not use the tool in damp and wet conditions. Keep the work area well lit. Do not use the tool where there is a risk of causing fire or explosion, e.g. in the presence of flammable liquids and gases.
- **Keep all bystanders, children and pets away.** The operator or user is responsible for accidents or hazards occurring to other people or their property.
- **Dress appropriately.** Do not wear loose clothing, hair or jewellery, as these can be caught in moving parts. Wear non-slip footwear when working outdoors. Wear protective hair covering to keep long hair out of the way.
- **Personal Protective Equipment (PPE).** Always use safety glasses and gloves. Use a face or dust mask whenever the operations may produce dust or flying particles. Wear ear protection whenever the sound level seems uncomfortable.
- **Do not overreach.** Keep proper footing and balance at all times.
- **Stay alert, watch what you are doing.** Use common sense when operating the appliance. Do not operate the tool when you are tired.
- **Grip the tool securely.** The operator should have one hand on the main handle, the other on the front handle. Ensure you keep your finger off the trigger until you are ready to use the product.
- **Remove adjusting keys and wrenches.** Always check that adjusting keys and wrenches are removed from the tool before operating.
- **Risk of harm.** Do not try to grasp or remove trimmings when the product is running. Only remove trimmings when the product is switched off and disconnected from the power supply.
- **Disconnect the battery.** Disconnect the battery from the tool when not in use, or when servicing or cleaning.

- **Check for damaged parts.** Before further use, carefully check the tool for damage. Check for alignment of moving parts, binding of moving parts, breakage of parts, mounting, and any other condition that may affect its operation. Do not use the tool if any parts are damaged or defective. Have any damaged or defective parts repaired or replaced by an authorised service agent. Never attempt any repairs yourself.
- **Store idle tools.** When not in use, tools should be stored in a dry, locked-up place, out of the reach of children.
- **Maintain tools with care.** Keep tools clean and in good condition for better and safer performance. Follow the instructions for maintenance and changing accessories. Keep handles and switches dry, clean and free from oil and grease.
- **Have your tool repaired by an authorised service agent.** This tool is manufactured in accordance with the relevant safety regulations. To avoid danger, electrical appliances must only be repaired by qualified technicians.



WARNING!

The use of attachments or accessories, not recommended by the manufacturer of this tool, can result in serious personal injury.

ADDITIONAL SAFETY INSTRUCTIONS FOR BATTERIES AND CHARGERS

Batteries

- Never attempt to open the unit for any reason.
- Do not expose it to water.
- Do not incinerate the battery pack, even if it is severely damaged or is completely worn out; the battery pack can explode in a fire.
- Do not store in locations where the temperature may exceed 40°C.
- Do not leave the battery pack in the charger when charging is finished, otherwise battery leakage may occur.
- Charge only at room temperature.
- Charge only by using the charger provided with the tool (see technical data).
- Before charging, make sure that the battery is dry and clean.
- Use only the correct type of battery for the tool (see technical data).
- Only dispose of electrical or battery items in separate collection schemes.
- Under extreme conditions, battery leakage may occur. When you notice liquid on the battery, proceed as follows:
 - Carefully wipe the liquid off using a cloth.
 - Avoid skin contact.

- Dispose of the battery in an environmentally-friendly manner.
- In case of skin or eye contact, follow the instructions below:
 - The battery fluid, a 25-30% solution of potassium hydroxide, can be harmful. In case of skin contact, immediately rinse with water. Neutralise with a mild acid, such as lemon juice or vinegar. In case of eye contact, rinse thoroughly with clean water for at least 10 minutes. Consult a physician.
- Don't let any metal objects contact the electrode plate on the battery pack.



WARNING!

The batteries in your battery pack are the lithium-ion type. Do not dispose of battery packs/batteries into household waste, fire or water. Battery packs/batteries should be collected, recycled or disposed of in an environmentally-friendly manner.

Chargers

- The charger's plug must match the socket. Never modify the plug in any way. Modified plugs and non-matching socket will increase the risk of electric shocks.
- Use your charger only to charge batteries of the type supplied with your tool. Other batteries could burst, causing personal injury and damage.

- Only 2 battery packs are allowed to be charged continuously, in order to prevent over heating of the charger. Necessary rest time is required to let the charger cool down before further charging.
- When charging is finished, unplug the charger from the mains socket outlet and remove the battery pack from the charger. Do not leave the battery pack in the charger.
- Never carry the charger by its cord or pull it to disconnect it from the socket. Keep the cord away from heat, oil and sharp edges.
- Never attempt to charge non-rechargeable batteries.
- The cord of the charger is not changeable; do not continue to use if the cord is damaged.
- Do not expose to water or rain, and never use in wet conditions.
- Do not open the charger.
- Do not probe the charger.
- Intended for indoor use only.

ADDITIONAL SAFETY INSTRUCTIONS FOR GRASS TRIMMERS

- Wear safety goggles when operating this tool.
- Wear gloves when operating this tool.
- Do not expose the tool to rain or high humidity.
- Be familiar with the controls and proper use of the grass trimmer.

- Never allow children or people unfamiliar with the instructions to use the trimmer.
- Keep children, bystanders, and pets away from the trimmer; the grass which is cut and dispersed may contain stones and debris. Stop using the trimmer while people, especially children or pets, are nearby.
- Do not let other people or animals come within 15m of the trimmer when in use.
- Only use the trimmer in daylight or good artificial light.
- Before using the trimmer and after any impact, check for signs of wear or damage and repair as necessary. Do not use the trimmer if the cutting device is not secured properly or is damaged.
- Always check the good working order of the trimmer which, if not adequate, could endanger the user.
- Never operate the grass trimmer with damaged guards or without the guards in place.
- Before starting the trimmer, make sure that the cutting blade is not touching stones or debris.
- Keep hands and feet away from the cutting area at all times, and especially when switching on the motor.
- Take care against injury from the cutting blade. After replacing a new blade, always return the trimmer to its normal operating position before switching on.
- Never fit metal cutting elements.

- Never use replacement parts or accessories not provided or recommended by the manufacturer.
- Remove the battery before checking, cleaning or working on the trimmer, and when it is not in use.
- Always ensure that ventilation openings are kept clear of debris.
- To avoid unintentional starting, do not carry the machine with your finger placed on the on/off switch.
- Remain in a stable and secure position while operating the trimmer.
- Keep the working area free from wires, stones and debris.
- Do not cut against hard objects. This could cause injury or damage to yourself or the trimmer.
- **Warning!** Cutting elements continue to rotate after the motor is switched off.
- Do not try stopping the cutting device with your hands. Always let it come to a stop by itself.
- Do not use the trimmer to cut grass which is not in contact with the ground; for example, do not cut grass which is on walls or rocks, etc.
- Do not cross roads or gravel paths with the trimmer still running.

INTENDED USE

This Li-ion cordless grass trimmer ASYEGT01240 is intended for cutting weeds, grass or similar soft vegetation, in areas that are hard to reach, e.g. under bushes, on slopes and hedges. It may not be used to work on unusually thick, dry or wet grass, e.g. pasture grass, or to shred leaves. For safety reasons, it is essential to read the entire instruction manual before first operation and to observe all the instructions herein. This product is intended for private domestic use only, not for any commercial trade use. It must not be used for any purposes other than those described.

Important! This equipment must not be used for composting purposes (shredding), as this could result in injury or damage to property.

WARNING SYMBOLS



Warning!



Conforms to all relevant safety standards.



Read the instruction manual before use.



Wear ear protection.



Wear eye protection.



Wear a dust mask.



Keep other people out of the working area during operation.



A distance of at least 15m must be observed.



Keep bystanders away.



Disconnect the battery pack before any repair or maintenance.



Do not expose to rain.



Guaranteed sound power level data (96dB), in accordance with Directive 2000/14/EC.

WARNING SYMBOLS ON THE CHARGER



Before use, carefully read through the user manual.



The charger is for indoor use only.



Protection class II.



Pole orientation.



Waste electrical products should not be disposed of with household waste. Please recycle where facilities exist. Check with your local authority or retailer for recycling advice.

WARNING SYMBOLS ON THE BATTERY



Do not dispose of batteries in rivers or immerse in water.



Do not subject the battery to strong sunlight over long periods and do not leave it on a heater (max.45 °C).



Do not dispose of batteries in a fire. They will explode and cause injury.



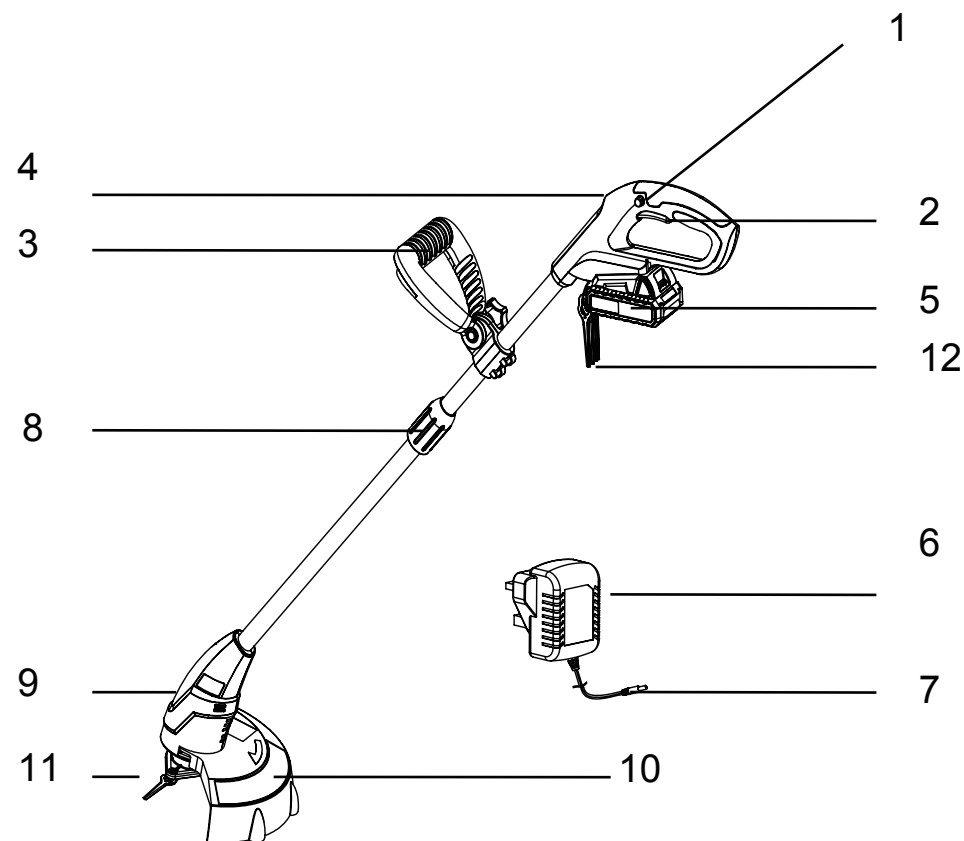
Contains Li-ion battery. All batteries must be recycled or disposed of properly.



Do not dispose of batteries in household waste. Return exhausted batteries to your local collection or recycling point.

IN THE BOX PARTS

- | | |
|-----------------------|-------------------------|
| 1. Safety switch lock | 7. Charger plug |
| 2. Main switch | 8. Connecting knob |
| 3. Front handle | 9. Motor housing |
| 4. Upper tube | 10. Protection guard |
| 5. Battery pack | 11. Cutting blade |
| 6. Charger | 12. Spare cutting blade |



ASSEMBLE THE GRASS TRIMMER



WARNING!

Before using the tool, read all instructions carefully.

CHARGING THE BATTERY



WARNING!

The charger and battery pack are specifically designed to work together so do not attempt to use any other devices. Never insert or allow metallic objects into your charger or battery pack connections because an electrical failure and hazard will occur.

The battery needs to be charged before first use and whenever it fails to produce sufficient power on jobs that were easily done before.



WARNING! NEVER LEAVE THE BATTERY AND CHARGER UNATTENDED WHEN CHARGING THE BATTERY.

This product comes with a lithium-ion battery pack. Lithium-ion batteries don't lose charge when not in use, and don't lose charging capacity over time. Nevertheless, it is best practice to charge the battery when empty or insufficient to do the job.

CHARGING PROCEDURE

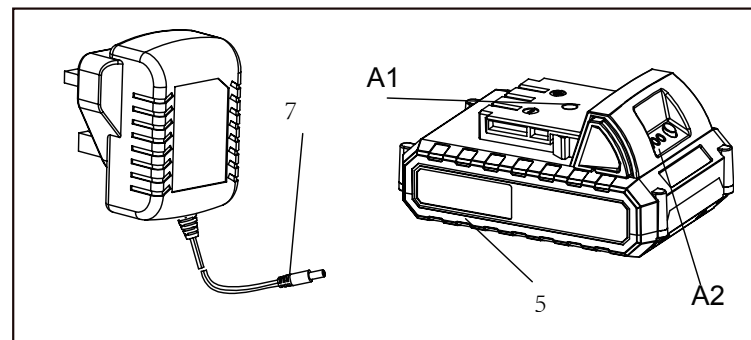


WARNING!

The battery cannot be charged immediately after use, it should cool off for a period of time.

1. Plug the charger into an appropriate AC power socket.
2. Insert the charger plug (7) into the charging hole (A1) in the battery pack (5), make sure the plug is fully in position. The LED (A2) lights on the battery pack flash to tell you that the battery pack is on charge.

3. The battery pack will be fully charged in 4-5 hours. And the three LED (A2) lights all turn green to tell you that the battery pack is fully charged.



Important charging notes

Longest life and best performance can be obtained if the battery pack is charged when the air temperature is between 18-24°C. Do not charge the battery pack in a very low or very high air temperature. This is important and will prevent serious damage to the battery pack.

1. When using your tool continuously, the batteries in your battery pack will become hot. You should let a hot battery pack cool down for approximately 30 minutes before attempting to recharge.
2. The charger and battery pack may become warm to touch while charging. This is a normal condition and does not indicate a problem.
3. Use the charger in normal room temperatures whenever possible. To prevent overheating, do not cover the charger and do not charge battery packs in direct sunlight or near heat sources.

4. If the battery pack does not charge properly:
 - (1) Check the main socket by plugging in a lamp or other appliance.
 - (2) Move the charger and battery pack to a location where the surrounding air temperature is approximately 18-24°C.
 - (3) If charging problems persist, take or send the tool, battery pack and charger to your local service centre.
5. The battery pack should be recharged when it fails to produce sufficient power on jobs which were easily done previously. **DO NOT CONTINUE** to use under these conditions. Follow the charging procedure. You may also charge a partially used pack whenever you desire with no adverse effect on the battery pack.
6. Under certain conditions, with the charger plugged in to the power supply, the exposed charging contacts inside the charger can be shorted by foreign material. Foreign materials of a conductive nature, such as, but not limited to, steel wool, aluminium foil, or any buildup of metallic particles, should be kept away from charger cavities. Always unplug the charger from the power supply when there is no battery pack in the cavity. Unplug the charger before attempting to clean it.
7. Do not immerse the charger in water or any other liquid.



WARNING!

Don't allow any liquid to get inside the charger; electric shocks may result. To facilitate the cooling of the battery pack after use, avoid placing the charger or battery pack in a warm environment, such as in a metal shed, or an un-insulated trailer.

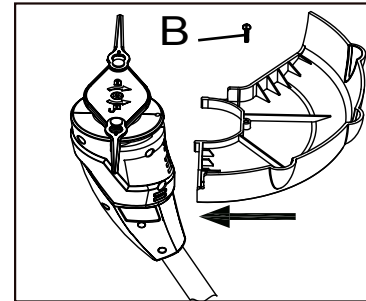


WARNING!

Never attempt to open the battery pack for any reason. If the plastic housing of the battery pack breaks or cracks, return to a service centre for recycling; do not put it into further use.

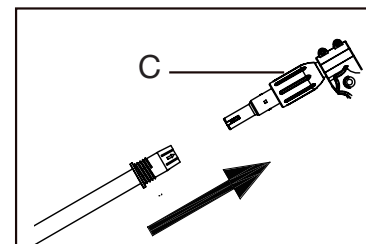
INSTALL THE GUARD

1. Remove one screw from the motor housing.
2. Slide the guard over the motor housing.
3. Re-insert the screw into the guard and tighten.



CONNECT THE UPPER HANDLE AND LOWER SHAFT

1. Plug the upper handle into the lower shaft.
2. Tighten the knob (C) to make sure it is tight.



REMOVE OR INSTALL THE BATTERY PACK



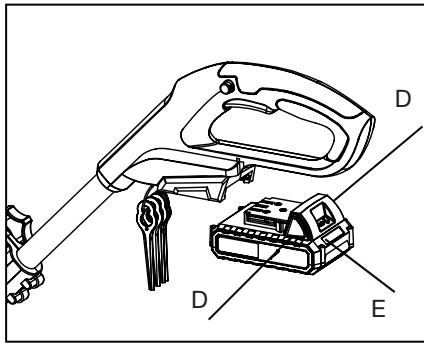
WARNING!

Always release the on/off trigger before insertion or removal of the battery pack.

Remove the battery pack. Depress the button (D) on the two sides of the battery pack, and then remove the pack (E) from the tool.

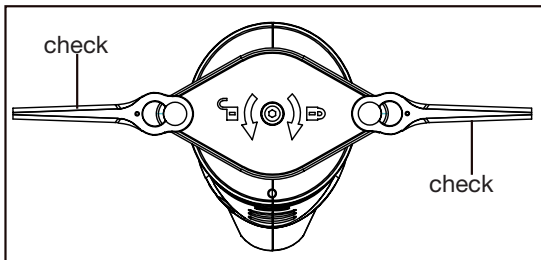
Install the battery pack. Align the ribs on both sides of the

battery pack with the slots in the housing, and slip it into place. Always insert it all the way until it locks in place with a click sound. If not, it may accidentally fall out of the tool, causing injury to you or someone around you.



OPERATING THE GRASS TRIMMER STARTING

1. Before starting the grass trimmer every time, check if the cutting blade is worn or not. If it is badly worn, please replace the blade.
2. Take off the battery pack.
3. Take off the worn cutting blade.
4. Install the new cutting blade.



Note! During use, the cutting blades will become worn. Check them before use every time. If they are worn, please replace them with new cutting blades.

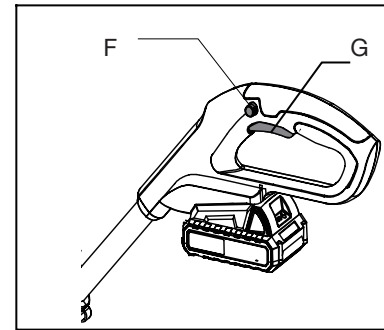
SWITCH ON/OFF

Switching the trimmer on:

Press and hold the safety lock-off button (F) and then press the trigger (G) on the handle.

Release the safety lock-off button (F) again.

Switching the trimmer off:



Release the trigger (G) on the handle.

CUTTING GUIDE



WARNING!

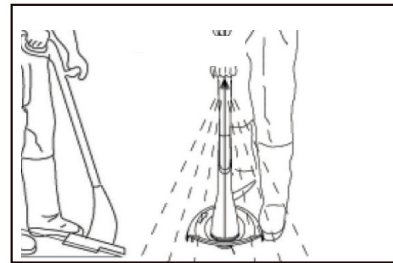
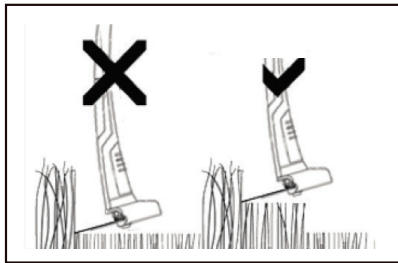
Always wear eye protection. Never lean over the trimmer head. Stones or debris can bounce or be thrown into the eyes and face, and cause blindness or other serious injury.

When operating the unit:

- Hold the front handle with one hand and auxiliary handles with the other hand.
- Keep the unit below waist level. Work only from your right to your left, to ensure debris is thrown away from you.
- The guard should face you, protecting you from debris.

Do not switch the machine on with the cutting head on or near material to be cut.

- Ensure the cutting blade is at full speed before contacting the grass.
- Use the trimmer at an angle of approximately 15° to the working area.
- In a controlled manner, swing the trimmer head from side to side.
- If the grass is very long, cut it in stages rather than trying to cut it all in one go. Do not overload your trimmer; take small cuts, this will keep the machine operating at high speed and improve the cutting efficiency.



MAINTENANCE AND STORAGE

REPLACE THE CUTTING BLADES

WARNING!

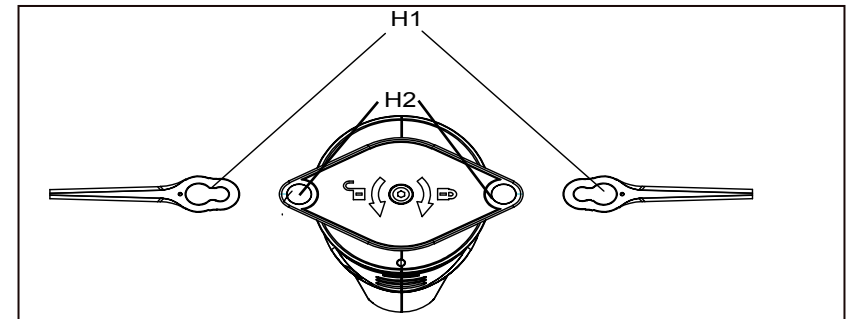


Before replacing the cutting blades, always switch off the machine and take off the battery pack!



RISK OF INJURY! Cutting elements continue to rotate after the motor is switched off. Do not try to stop the cutting device (nylon blade) with your hands. Always let it come to a stop by itself.

Remove the worn blade from the trimmer. To do so, hold the rotating plate firmly, and place the blade on the holder (H2) through the big hole (H1). And pull the blade outwards to fix it.



CLEANING AND STORAGE

1. To clean the tool, remove the battery pack and use only mild soap and a damp cloth to clean it. Do not immerse the tool in water or spray it with a hose. Do not allow any liquid to get inside it. Do not clean with a pressure washer.

TROUBLESHOOTING

Although your new cordless grass trimmer is really easy to operate, check the following if you experience problems.

TOOL RUNS SLOWLY

Check that the blade plate can rotate freely. Carefully clean it if necessary.

IF THE TRIMMER IS NOT CUTTING PROPERLY

Check the condition of the cutting blade and blade plate, if the blade is worn out, change it.

Note: Do not use a damaged cutting blade.

IF THE TRIMMER WILL NOT OPERATE

Check the battery pack assembly.

Charge the battery: operation of the grass trimmer is dependent upon sufficient charge in the battery pack.

IF THE BATTERY WILL NOT CHARGE

Check to see if the charger plug is properly inserted into the battery pack, and make sure the indicator light is on. If not, check the power supply to the socket used for the charger plug.

If a fault is suspected, return the trimmer to an authorised dealer for repair.

TECHNICAL DATA

Model no.	ASYEGT01240
Voltage	18V DC
Battery type	Lithium-ion
No load speed	8500/min
Cutting width	24cm
Battery pack	
Model	ZDBP18012001
Battery type	Lithium-ion
Battery capacity	2.0Ah
Charging time	Approx. 4 hours
Charger	
Model	XH2200-0500wE
Rated voltage	100-240VAC 50-60Hz
Input voltage of charger	0.5A
Output voltage of charger	22V DC
Output current of charger	500mA
Protection category	IP20

Noise and vibration data

A weighted sound pressure 78dB(A) K_{PA} : 3dB(A)

A weighted sound power 90.3dB(A) K_{WA} : 3dB(A)

The guaranteed sound power level: 96dB(A)

Wear ear protection

Typical weighted vibration 1.9m/s² K=1.5m/s²



WARNING!

The sound values have been determined according to the noise test code given in EN50636-2-91, using the basic standards EN ISO 11201 and EN ISO 3744.

The sound intensity level for the operator may exceed 80dB(A) and ear protection measures are necessary.

The declared vibration value (according to EN 786) has been measured in accordance with a standard test method, and may be used for comparing one product with another. The declared vibration value may also be used in a preliminary assessment of exposure.

Depending on the actual use of the product, the vibration values can differ from the declared total. Adopt proper measures to protect yourself against vibration exposures. Take the whole work process into consideration, including times the product is running under no load or switched off.

WARNING! This tool may cause Hand-Arm Vibration Syndrome (HAVS) if its use is not adequately monitored and managed.

Preventative measures include, among others, regular maintenance and care of the product and cutting attachments, keeping hands warm and periodical breaks, as well as proper planning of work processes.

RECYCLING AND DISPOSAL

Waste electrical products should not be disposed with household waste. Please recycle where facilities exist.

Check with your local authority or retailer for recycling advice.

GETTING HELP

Our dedicated UK-based customer helpline is open 7 days a week to assist you with assembly, parts queries and technical support. We are open during office hours but you can always send an email via **support@gardenservicecentre.co.uk**. Our experts are here to get you back enjoying your garden in no time.

For useful assembly, starting and maintenance videos, and for ordering spares, please visit **www.gardenservicecentre.co.uk**
Calling our service does not affect your statutory rights.

WARRANTY

Any claim under this warranty must be made within 12 months of the date of purchase. To make a claim under the warranty, take the product (with proof of purchase) to your local store.

HHGL Limited bears reasonable, direct expenses of claiming under the warranty. You may submit details and proof to our store for consideration. The warranty covers manufacturer defects in materials, workmanship, and finish under normal use.

This warranty is provided in addition to other rights and remedies you may have under law: our goods come with guarantees which cannot be excluded under the UK Consumer Rights Act 2015.

You are entitled to a replacement or refund for a major failure, and to compensation for other reasonably foreseeable loss or damage. You are also entitled to have the goods repaired or replaced if the goods fail to be of acceptable quality and the failure does not amount to a major failure.

The warranty excludes damage resulting from product misuse or product neglect. The warranty covers domestic use only and does not apply to commercial applications.

This warranty is given by:

HHGL Limited, MK9 1BA

HHGL (ROI) Limited, D02 X576