

SOVEREIGN

EASY GARDENING

18V CORDLESS HEDGE TRIMMER

Item No. 555375

Model No. ASYEHT01450



Technical Support & Parts
01904 727509
Mon-Fri 9am-5pm Sat-Sun 11am-4pm
www.gardenservicecentre.co.uk

INSTRUCTION MANUAL

Please read these instructions fully before starting assembly.

CONTENTS

General safety warning	3
Intended use	12
Warning symbols	12
In the box	15
Assemble the hedge trimmer	16
Operating the hedge trimmer	20
Maintenance and storage	22
Troubleshooting	24
Technical data	25
Recycling and disposal	27
Getting help	27
Warranty	28

GENERAL SAFETY WARNINGS

SAFETY WARNINGS



WARNING! Read all safety warnings and instructions.

Failure to follow the warnings and instructions may result in electric shock, fire and/or serious injury.



WARNING! Read all safety warnings and instructions designated by the  symbol. Save all warnings and instructions for future reference.

- Always ensure anyone intending to operate this hedge trimmer is fully conversant with the contents of this assembly manual prior to assembling, maintaining or operating the hedge trimmer.
- Perform assembly operations as described in this manual. Failure to observe this warning may lead to serious injury, death, or damage to the hedge trimmer.
- Always take care when removing the packaging, to prevent damage to you or to the hedge trimmer.

IMPORTANT! Before assembling the hedge trimmer, check all the parts indicated in the manual are in the box. Inspect all the parts for signs of damage. Do not assemble the hedge trimmer if you observe any damaged components.

GENERAL POWER TOOL SAFETY WARNINGS

- **Read the instructions carefully.** Be familiar with the controls and the correct use of the appliance. Read and understand the operator's manual and observe the warnings and instruction labels affixed to the appliance.
- **Users.** Never allow children or people unfamiliar with these instructions to use the appliance. Local regulations may restrict the age of the operator. Never operate the tool under the influence of alcohol, medication or drugs.
- **Use the appropriate tool.** This device is only intended for trimming hedges outdoors and only designated for use on private property. Do not force small tools or attachments to do the job of a heavy-duty tool.
- **Keep work areas clean.** Cluttered areas can cause accidents.
- **Consider work area environment.** Do not expose the tool to high humidity or rain. Do not use the tool in damp and wet conditions. Keep the work area well lit. Do not use the tool where there is a risk of causing fire or explosion, e.g. in the presence of flammable liquids and gases.
- **Keep all bystanders, children and pets away.** The operator or user is responsible for accidents or hazards occurring to other people or their property.
- **Dress appropriately.** Do not wear loose clothing, hair or jewellery, as these can be caught in moving parts. Wear non-slip footwear when working outdoors. Wear protective hair covering to keep long hair out of the way.
- **Personal Protective Equipment (PPE).** Always use safety glasses and gloves. Use a face or dust mask whenever the operations may produce dust or flying particles. Wear ear protection whenever the sound level seems uncomfortable.
- **Do not overreach.** Keep proper footing and balance at all times.
- **Stay alert, watch what you are doing.** Use common sense when operating the appliance. Do not operate the tool when you are tired.
- **Grip the tool securely.** The operator should have one hand on the main handle, the other on the front handle. Ensure you keep your finger off the trigger until you are ready to use the product.
- **Remove adjusting keys and wrenches.** Always check that adjusting keys and wrenches are removed from the tool before operating.
- **Risk of cut.** Do not try to grasp or remove trimmings when the product is running. Only remove trimmings when the product is switched off and disconnected from the power supply.
- **Disconnect the battery.** Disconnect the battery from the tool when not in use, or when servicing or cleaning.

- **Check for damaged parts.** Before further use, carefully check the tool for damage. Check for alignment of moving parts, binding of moving parts, breakage of parts, mounting, and any other condition that may affect its operation. Do not use the tool if any parts are damaged or defective. Have any damaged or defective parts repaired or replaced by an authorised service centre. Never attempt any repairs yourself.
- **Store idle tools.** When not in use, tools should be stored in a dry, secure place, out of the reach of children.
- **Maintain tools with care.** Keep tools clean and in good condition for better and safer performance. Follow the instructions for maintenance and changing accessories. Keep handles and switches dry, clean and free from oil and grease.
- **Have your tool repaired by an authorised service centre.** This tool is manufactured in accordance with the relevant safety regulations. To avoid danger, electrical appliances must only be repaired by qualified technicians.



WARNING!

The use of attachments or accessories not recommended by the manufacturer of this tool, can result in serious personal injury.

ADDITIONAL SAFETY INSTRUCTIONS FOR BATTERIES AND CHARGERS

Batteries

- Never attempt to open the unit for any reason.
- Do not expose it to water.
- Do not incinerate the battery pack, even if it is severely damaged or is completely worn out; the battery pack can explode in a fire.
- Do not store in locations where the temperature may exceed 40°C.
- Do not leave the battery pack in the charger when the charging is finished, otherwise battery leakage may occur.
- Charge only at room temperature.
- Charge only by using the charger provided with the tool (see technical data).
- Before charging, make sure that the battery is dry and clean.
- Use only the correct type of battery for the tool (see technical data).
- Only dispose of electrical or battery items in separate collection schemes.
- Under extreme conditions, battery leakage may occur. When you notice liquid on the battery, proceed as follows:
 - Carefully wipe the liquid off using a cloth.
 - Avoid skin contact.

- Dispose of the battery in an environmentally-friendly manner.
- In case of skin or eye contact, follow the instructions below:
 - The battery fluid, a 25-30% solution of potassium hydroxide, can be harmful. In case of skin contact, immediately rinse with water. Neutralise with a mild acid, such as lemon juice or vinegar. In case of eye contact, rinse thoroughly with clean water for at least 10 minutes. Consult a physician.
- Don't let any metal objects contact the electrode plate on the battery pack.



WARNING!

The batteries in your battery pack are the lithium-ion type. Do not dispose of battery packs/batteries into household waste, fire or water. Battery packs/batteries should be collected, recycled or disposed of in an environmentally-friendly manner.

Chargers

- The charger's plug must match the outlet. Never modify the plug in any way. Modified plugs and non-matching outlets will increase the risk of electric shocks.
- Use your charger only to charge batteries of the type supplied with your tool. Other batteries could burst, causing personal injury and damage.

- Only 2 battery packs are allowed to be charged continuously, in order to prevent over heating of the charger. Necessary rest time is required to let the charger cool down before further charging.
- When charging is finished, unplug the charger from the mains socket outlet and remove the battery pack from the charger. Do not leave the battery pack in the charger.
- Never carry the charger by its cord or pull it to disconnect it from the socket. Keep the cord away from heat, oil and sharp edges.
- Never attempt to charge non-rechargeable batteries.
- The cord of the charger is not changeable; do not continue to use if the cord is damaged.
- Do not expose to water or rain, and never use in wet conditions.
- Do not open the charger.
- Do not probe the charger.
- Intended for indoor use only.

ADDITIONAL SAFETY INSTRUCTIONS FOR HEDGE TRIMMERS

- **THIS TOOL CAN CAUSE SERIOUS INJURIES.** Read instructions carefully for the correct handling, preparation, maintenance, starting and stopping of the tool. Be familiar with all controls and proper use of the tool.
- Only use the tool in daylight or good artificial light.

- Never allow children to use the tool.
- Beware of overhead power lines.
- Avoid operating while people, especially children are nearby.
- Dress properly! Do not wear loose clothing or jewellery which can be caught in moving parts. Use of sturdy gloves, non-skid footwear, and safety glasses is recommended.
- If the tool stalls, immediately switch it off. Remove the battery before attempting to remove any obstructions.
- Remove the battery before checking, maintenance or working on the tool.
- While operating the tool always be sure of a safe and secure operating position especially when using steps or a ladder.
- Do not attempt to repair the tool.
- Do not operate the tool with a damaged or excessively worn cutting device.
- Always wear ear protection, goggles and a helmet whilst operating.
- Always ensure that all guards are fitted when using the tool. Never attempt to use an incomplete tool or a tool with unauthorized modifications.
- Always use two hands to operate the tool.
- When transporting or storing the tool, always fit the blade sheath.

- Always be aware of your surroundings and stay alert for possible hazards that you may not hear due to the noise of the tool.
- Do not carry the tool with your hands on the switch unless the battery has been removed.
- If you have not used a hedge trimmer before, preferably seek practical instruction by an experienced user in addition to studying this manual.
- Never touch the blades while the tool is running.
- Never attempt to force the blades to come to a standstill.
- Do not put the tool down until the blade has come to a complete standstill.
- Regularly check the blades for damage and wear. Do not use the machine when the blades are damaged.
- Take care to avoid hard objects (e.g. metal wire, railings) when trimming. Should you accidentally hit any such object, immediately switch the tool off and check for any damage.
- Should the tool start to vibrate abnormally, immediately switch it off and check for any damage.
- Always be aware of falling debris when cutting the higher sides of a hedge.
- Be aware of the cutting blade; always wear gloves to protect your hands from being potentially injured.
- NOTE: Do not switch the hedge trimmer on and off frequently over a short period of time, and in particular do not play with the ON/OFF switch.

INTENDED USE

This Li-ion hedge trimmer ASYEHT01450 is intended for trimming hedges, bushes and shrubs. Observe the technical data for the maximum cutting capacity. Do not cut non-plant material or branches exceeding the stated maximum capacity.

For safety reasons it is essential to read the entire instruction manual before first operation and to observe all the instructions therein.

This product is intended for private domestic use only, not for any commercial trade use. It must not be used for any purposes other than those described.

WARNING SYMBOLS



Warning!



Conforms to all relevant safety standards.



Read the instruction manual before use.



Wear ear protection.



Wear eye protection.



Wear dust mask.



Keep fingers away from moving cutting device!



Keep bystanders away.



Disconnect the battery pack before any repair or maintenance.



Do not expose to rain.



Guaranteed sound power level data (96dB), in accordance with Directive 2000/14/EC.

WARNING SYMBOLS ON THE CHARGER



Before use, carefully read through the user manual.



The charger is for indoor use only.



Protection class II.



Pole orientation.



Waste electrical products should not be disposed of with household waste. Please recycle where facilities exist. Check with your local authority or retailer for recycling advice.

WARNING SYMBOLS ON THE BATTERY



Do not dispose of batteries in rivers or immerse in water.



Do not subject the battery to strong sunlight over long periods and do not leave it on a heater (max. 45°C).



Do not dispose of batteries in a fire. They will explode and cause injury.



Contains Li-ion battery. All batteries must be recycled or disposed of properly.

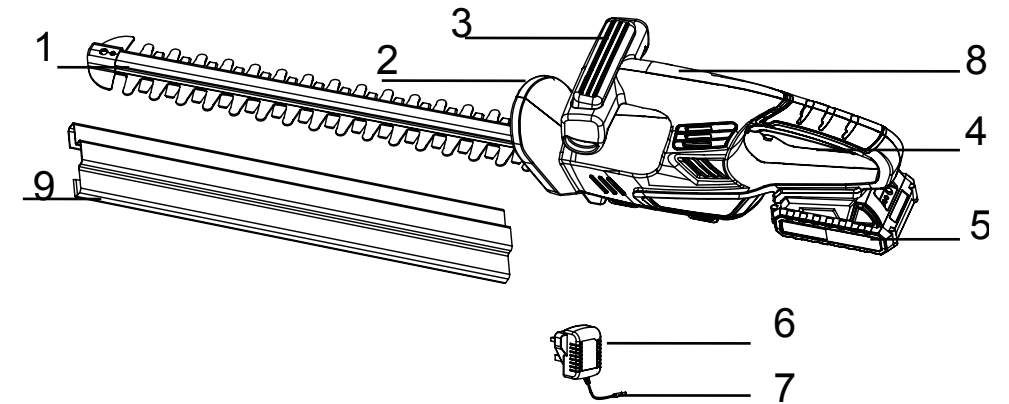


Do not dispose of batteries in household waste. Return exhausted batteries to your local collection or recycling point.

IN THE BOX

Parts

1. Blade
2. Guard
3. Safety Switch
4. Trigger
5. Battery Pack
6. Charger
7. Charging plug
8. Front Handle
9. Blade Sheath



ASSEMBLE THE HEDGE TRIMMER



WARNING!

Before using the tool, read all instructions carefully.

CHARGING THE BATTERY



WARNING!

The charger and battery pack are specifically designed to work together so do not attempt to use any other devices. Never insert or allow metallic objects into your charger or battery pack connections because an electrical failure and hazard will occur.

The battery needs to be charged before first use and whenever it fails to produce sufficient power on jobs that were easily done before.



WARNING! NEVER LEAVE THE BATTERY AND CHARGER UNATTENDED WHEN CHARGING THE BATTERY.

This product comes with a lithium-ion battery pack. Lithium-ion batteries don't lose charge when not in use, and don't lose charging capacity overtime. Nevertheless, it is best practice to charge the battery when empty or insufficient to do the job.

CHARGING PROCEDURE

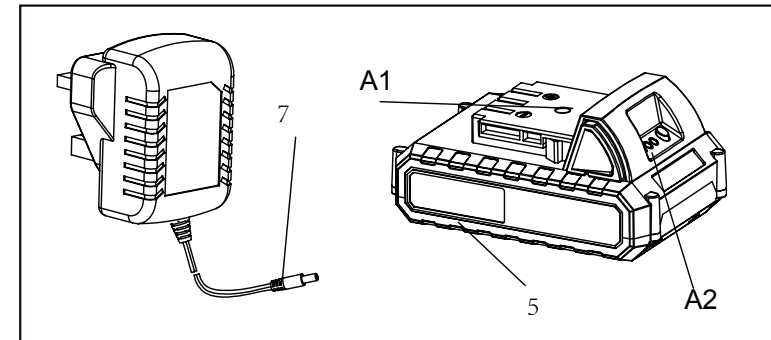


WARNING!

The battery cannot be charged immediately after use, it should cool off for a period of time.

1. Plug the charger into an appropriate AC power outlet.
2. Insert the charger plug (7) into the charging hole (A1) in battery pack (5), make sure the plug is fully in position. The LED (A2) lights on battery pack flashes to tell you that the battery pack is on charge.

3. The battery pack will be fully charged in 4-5 hours. And the three LED (A2) lights turn green to tell you that the battery pack is fully charged.



Important charging notes

Longest life and best performance can be obtained if the battery pack is charged when the air temperature is between 18-24°C. Do not charge the battery pack in a very low or very high air temperature. This is important and will prevent serious damage to the battery pack.

1. When using your tool continuously, the batteries in your battery pack will become hot. You should let a hot battery pack cool down for approximately 30 minutes before attempting to recharge.
2. The charger and battery pack may become warm to touch while charging. This is a normal condition and does not indicate a problem.
3. Use the charger in normal room temperatures whenever possible. To prevent overheating, do not cover the charger and do not charge battery packs in direct sunlight or near heat sources.

4. If the battery pack does not charge properly:
 - (1). Check the main socket by plugging in a lamp or other appliance.
 - (2). Move the charger and battery pack to a location where the surrounding air temperature is approximately 18-24°C.
 - (3). If charging problems persist, take or send the tool, battery pack and charger to your local service centre.
5. The battery pack should be recharged when it fails to produce sufficient power on jobs which were easily done previously. **DO NOT CONTINUE** to use under these conditions. Follow the charging procedure. You may also charge a partially used pack whenever you desire with no adverse effect on the battery pack.
6. Under certain conditions, with the charger plugged in to the power supply, the exposed charging contacts inside the charger can be shorted by foreign material. Foreign materials of a conductive nature, such as, but not limited to, steel wool, aluminium foil, or any build-up of metallic particles, should be kept away from charger cavities. Always unplug the charger from the power supply when there is no battery pack in the cavity. Unplug the charger before attempting to clean it.
7. Do not immerse the charger in water or any other liquid.



WARNING!

Don't allow any liquid to get inside the charger; electric shocks may result. To facilitate the cooling of the battery pack after use, avoid placing the charger or battery pack in a warm environment, such as in a metal shed, or an un-insulated trailer.



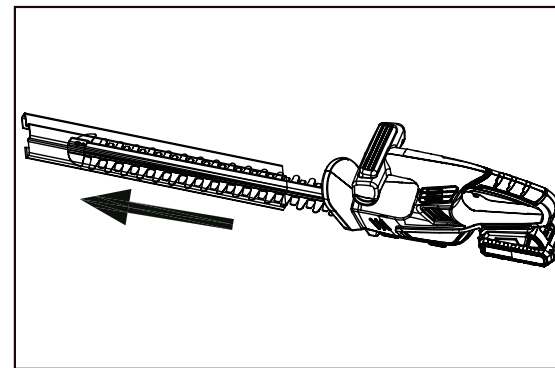
WARNING!

Never attempt to open the battery pack for any reason. If the plastic housing of the battery pack breaks or cracks, return it to a service centre for recycling; do not put it into further use.

TAKE OFF THE BLADE SHEATH

1. Take off the blade sheath.

Note! Make sure the battery pack is taken from the trimmer.



REMOVE OR INSTALL THE BATTERY PACK

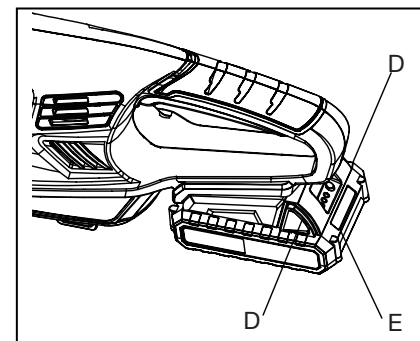


WARNING!

Always release the on/off trigger before insertion or removal of the battery pack.

Remove the battery pack. Depress the button (D) on the two sides of the battery pack, and then remove the pack (E) from the tool.

Install the battery pack. Align the ribs on both sides of the battery pack with the slots in the housing, and slip it into place. Always insert it all the way until it locks in place with a click sound. If not, it may accidentally fall out of the tool, causing injury to you or someone around you.



OPERATING THE HEDGE TRIMMER

Starting



WARNING!

If any parts are missing, damaged or broken, do not operate your hedge trimmer until all damaged parts have been replaced or repaired. Failure to do so could result in serious personal injury.

For your safety, this tool is equipped with a dual safety-switch system. This system prevents starting the tool inadvertently, and will only allow operation while holding the tool with both hands.

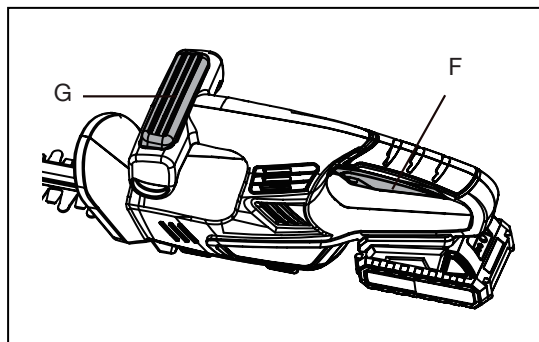
SWITCHING ON

Hold the product with one hand at the rear handle and the other at the front handle.

Press the trigger (F) and the front handle safety switch (G) at the same time, to switch the product on.

SWITCHING OFF

Release the front handle safety switch (G) or the trigger (F).



NOTE! Never attempt to lock the dual safety-switch system in the on position.

CUTTING GUIDE



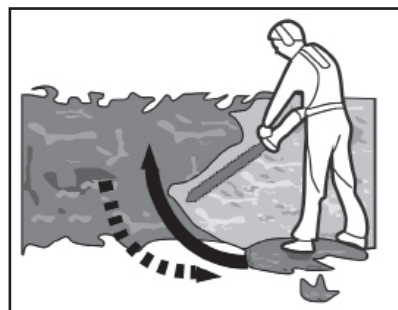
WARNING!

Before using this hedge trimmer, make sure that you have read all of the safety instructions.

When operating the unit, check for the following:

- Wear eye protection and appropriate clothing.
- Hold the front handle with one hand and the rear handle with the other hand.

1. When trimming, the blade should be tilted towards the hedge. Always trim from the bottom upwards.
2. Trim the sides of the hedge first and then trim the top.
3. If the branches are very long, they should be cut back in several stages.
4. Make sure that there are no hard objects in the hedge, such as railings, that could damage the blade.
5. If the blade becomes jammed, switch it off and remove the battery pack before clearing the obstruction.
6. Do not force the hedge trimmer to cut oversized branches. These should be cut by hand using secateurs or shears.



Note: Evergreen hedges and shrubs that retain their leaves in the winter, should be trimmed in April and August.

Conifers and other fast-growing shrubs can be trimmed every six weeks throughout the growing season.

MAINTENANCE AND STORAGE



WARNING!

Before performing any repair work, always remove the battery pack.

CLEANING THE PRODUCT

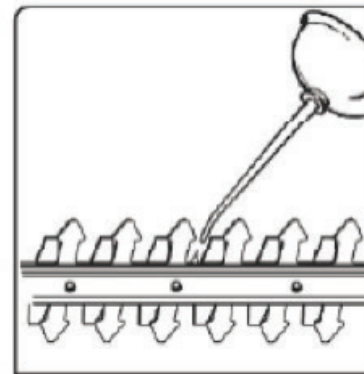
- Use a soft brush to remove any accumulated dust.
- Wear safety glasses to protect your eyes whilst cleaning.
- Wipe down the product enclosure with a slightly damp cloth.
- Do not spray the unit with water. Ingress of water may destroy the switch and the electric motor.

MAINTENANCE

1. Keep all nuts, bolts and screws tight to be sure that the machine is in safe working condition.
2. Examine the machine and replace worn or damaged parts for safety.
3. Check that the guards are undamaged and correctly fitted. Carry out necessary maintenance or repairs before using.
4. Do not use the unit if the blades are blunt or worn. This will overstress the motor and gearbox of the machine.

BLADE MAINTENANCE

1. Wear gloves when handling or cleaning the cutting blade.
2. Always clean the cutting blade after operation and lubricate with protective spray. During longer cutting jobs, we recommend periodically lubricating the cutting blade with protective spray.
3. Visually check the condition of the cutting edges of the cutting blade. Check tightness of blade bolts. Ensure that the blade is covered with the blade protection supplied.



STORAGE AND TRANSPORT

1. After cleaning the unit thoroughly. Store the unit in a safe, dry room, allowing the motor to cool down beforehand.
2. Store the machine out the reach of children.
3. Use the original packaging whenever possible.

TROUBLESHOOTING

Although your new cordless hedge trimmer is really easy to operate, if you do experience problems, check the following:

Problem	Possible cause	Solution
Product does not start	1. Not connected to battery pack	1. Connect to battery pack
	2. Low battery capacity	2. Charge the battery pack
	3. Other defect to the product	3. Check with a specialist
Product does not reach full power	1. Low battery capacity	1. Charge the battery pack
	2. Air vents are blocked	2. Clean the air vents
Does not cut	Cutting device worn	Have a specialist replace it

If a fault is suspected, return the trimmer to an authorised service centre for repair.

TECHNICAL DATA

Model no.	ASYEHT01450
Voltage	18V DC
Battery type	Lithium-ion
No load speed	1400/min
Cutting length/tooth gap	405cm/14cm
Battery pack	
Model	ZDBP18012001
Battery type	Lithium-ion
Battery capacity	2.0Ah
Charging time	Approx. 4 hours
Charger	
Model	XH2200-0500wE
Rated voltage	100-240VAC 50-60Hz
Input voltage of charger	0.5A
Output voltage of charger	22V DC
Output current of charger	500mA
Protection category	IP20

Noise and vibration data

A weighted sound pressure 78dB(A) K_{PA} : 3dB(A)

A weighted sound power 90.3dB(A) K_{WA} : 3dB(A)

The guaranteed sound power level: 96dB(A)

Wear ear protection (PPE).

Typical weighted vibration 1.9m/s² K=1.5m/s²



WARNING!

The sound values have been determined according to the noise test code given in EN50636-2-91, using the basic standards EN ISO 11201 and EN ISO 3744.

The sound intensity level for the operator may exceed 80dB(A) and ear protection measures are necessary.

The declared vibration value (according to EN 786) has been measured in accordance with a standard test method, and may be used for comparing one product with another. The declared vibration value may also be used in a preliminary assessment of exposure.

Depending on the actual use of the product, the vibration values can differ from the declared total! Adopt proper measures to protect yourself against vibration exposures! Take the whole work process into consideration, including times the product is running under no load or switched off!

Proper measures include, among others, regular maintenance and care of the product and cutting attachments, keeping hands warm, periodical breaks and proper planning of work processes!

RECYCLING AND DISPOSAL

Waste electrical products should not be disposed with household waste. Please recycle where facilities exist.

Check with your local authority or retailer for recycling advices.

GETTING HELP

Our dedicated UK-based customer helpline is open 7 days a week to assist you with assembly, parts queries and technical support. We are open during office hours but you can always send an email via **support@gardenservicecentre.co.uk**. Our experts are here to get you back enjoying your garden in no time.

For useful assembly, starting and maintenance videos, and for ordering spares, please visit **www.gardenservicecentre.co.uk**
Calling our service does not affect your statutory rights.

WARRANTY

Any claim under this warranty must be made within 12 months of the date of purchase. To make a claim under the warranty, take the product (with proof of purchase) to your local store.

HHGL Limited bears reasonable, direct expenses of claiming under the warranty.

You may submit details and proof to our store for consideration. The warranty covers manufacturer defects in materials, workmanship and finish under normal use.

This warranty is provided in addition to other rights and remedies you may have under law: our goods come with guarantees which cannot be excluded under the UK Consumer Rights Act 2015.

You are entitled to a replacement or refund for a major failure, and to compensation for other reasonably foreseeable loss or damage. You are also entitled to have the goods repaired or replaced if the goods fail to be of acceptable quality and the failure does not amount to a major failure.

The warranty excludes damage resulting from product misuse or product neglect. The warranty covers domestic use only and does not apply to commercial applications.

This warranty is given by:

HHGL Limited, MK9 1BA

HHGL (ROI) Limited, D02 X576