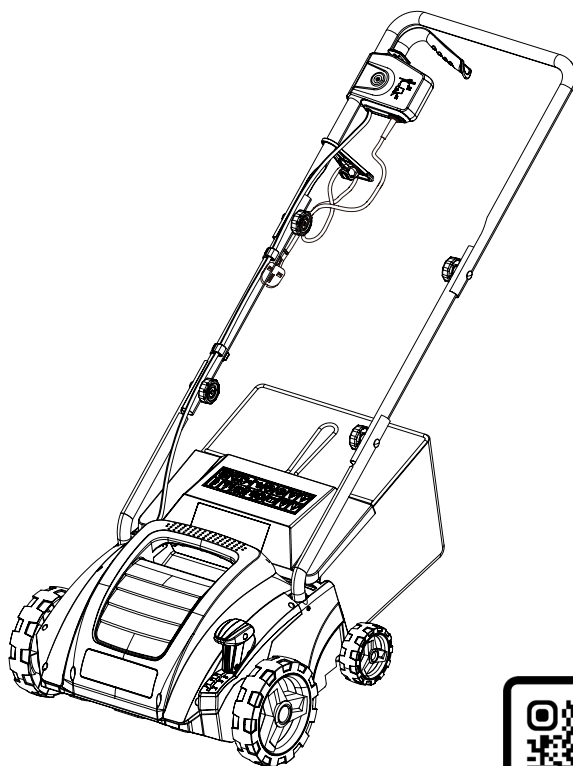


GB

1500W ELECTRIC SCARIFIER

Original Instructions



READ & UNDERSTAND INSTRUCTION MANUAL

Save all warnings and instructions for future reference.



SCAN FOR WHATSAPP
SUPPORT

YARD FORCE

EA U32 Original Instructions

CONTENT

Intended use	04
Safety	04
Symbols	14
Technical data	18
Description of product	19
Installation	21
Operation	24
Maintenance and storage	30
Troubleshooting	32
Declaration of conformity	34
Disposal	36

INTENDED USE

The scarifier is designed exclusively for scarifying and aerating the lawn. It is intended exclusively for private use and not suitable for commercial use.

Use the scarifier only as described in these operating instructions. Any other use is considered improper and can lead to property damage or even personal injury. The scarifier is not a child's toy.

The manufacturer or dealer does not accept any liability for damage caused by improper or incorrect use.

SAFETY

The following signal words are used in this operating manual.

WARNING!

This signal symbol/word denotes a hazard with an average risk level that could lead to death or severe injury if it is not avoided.

NOTE!

This signal word provides a warning about potential material damage.

TRAINING

1. Read the instructions carefully. Make yourself familiar with the controls and the proper use of the machine.
2. Never allow people who are not familiar with these instructions or children to use the machine. Local regulations may limit the age of the user.
3. It must be noted that the user is responsible for accidents or hazards towards other people or their property.

SAFETY

PREPARATION

1. When operating the machine, hearing protection and protective goggles must always be worn as long as the machine is in operation.
2. Before use, the connection and extension cables must always be checked for signs of damage or aging. If the cable is damaged during use, it must be disconnected from the power supply immediately. **DO NOT TOUCH THE CABLE BEFORE IT IS DISCONNECTED FROM THE MAINS.** Do not use the machine if the cord is damaged or worn.
3. Always wear sturdy shoes and long trousers when operating the machine. Do not operate the machine barefoot or in light sandals. Avoid wearing loose clothing or clothing with dangling strings or ties.
4. Carefully inspect the area where the machine will be used and remove any objects that the machine could catch and throw away.
5. Use the machine only in the recommended position and only on a firm, level surface.
6. Do not operate the machine on paved or gravelled surfaces, where material thrown out can lead to injuries.
7. Before switching on the machine, always check whether all screws, nuts, bolts and other fastenings are well secured and that the protective devices and protective grids are in place. Worn or damaged stickers must be replaced.
8. Never operate the machine while people, especially children, or animals are nearby.

SAFETY

OPERATION

1. Work only in daylight or under good artificial lighting.
2. Avoid using the machine when the grass is wet.
3. Always make sure that the machine is always in a good position, especially on slopes. Avoid abnormal posture and always keep your balance.
4. Walk, do not run.
5. Operate the machine at right angles to the slope, never up or down.
6. Be especially careful when changing the direction of travel on a slope.
7. Do not scarify or aerate on excessively steep slopes.
8. Be especially careful when reversing the machine or pulling it towards you.
9. Stop the tines when the machine needs to be tilted for transport over surfaces other than grass and when the machine is moved to and from the surface to be worked.
10. Never use the machine with damaged safety devices or safety grids or without mounted safety devices, e.g. baffle plates and/or catching devices.
11. Start the motor carefully, according to the operating manual and make sure that there is sufficient distance between the feet and the tines.
12. Keep connecting and extension cables away from the tines.
13. When starting the machine, the machine must not be tilted, unless the machine has to be lifted for the operation. In this case, tilt the machine only as far as absolutely necessary and lift only the side facing away from the user. Always make sure that both hands are in working position before

SAFETY

the machine returns to the floor.

14. Never transport the machine while the drive is running.
15. Never put hands or feet on or underneath rotating parts.
Always stay away from the ejection opening.
16. Switch off the motor and pull the plug out of the socket.
Make sure that all moving parts have come to a complete stop:
 - a. Whenever you leave the machine;
 - b. Before you remove blockages or clear blockages in the ejection channel;
 - c. Before checking, cleaning or working on the machine;
 - d. After contact with a foreign body. Inspect the machine for damage and carry out the necessary repairs before you start again and work with the machine.
17. If the machine starts to vibrate unusually strong, an immediate check is necessary;
 - a. Look for damages;
 - b. Carry out the necessary repairs of damaged parts;
 - c. Check for loose parts and tighten them.
18. Keep children away from the scarifier and the connection cable.
19. Do not leave children unattended during operation.

VIBRATION AND NOISE REDUCTION

To reduce the influence of vibration and noise, limit working hours and wear personal protective equipment.

Observe the following points to keep the vibration and noise exposure low:

1. Use the product only as intended according to the design and instructions.

SAFETY

2. Make sure that the product is in a good condition and well maintained.
3. Use the correct accessories and ensure that it is in good condition.
4. If excessive vibrations occur, e.g. due to a jammed stone, turn off the machine, disconnect it from the power supply and check the roller. If necessary, have the machine checked by a specialist.
5. Hold the product firmly but not cramped by the handles provided.
6. Maintain the product according to this manual and keep it well lubricated.
7. Plan your working hours according to these operating instructions in order to distribute a higher load over a longer period of time.

RECOMMENDATION

1. The machine should be operated via a residual current device (RCD) with a trigger current of no more than 30 mA.
2. Do not operate the machine in bad weather conditions, especially not in case of danger of lightning.

EMERGENCY

Familiarize yourself with the use of the product by reading the manual completely. Remember the safety instructions and follow them carefully. This will help you to avoid risks and dangers.

1. Always be attentive when using the product so that you can identify and react to hazards at an early stage. Rapid intervention can prevent serious injury and damage to

SAFETY

property.

2. Turn off the product, disconnect the power supply and unplug the extension cord from the power outlet if problems occur. Have the product repaired by a qualified expert, if necessary, before using the product again.

RESIDUAL RISKS

Even if you use this power tool in accordance with the regulations, there are always residual risks. The following hazards can occur in connection with the design and construction of this power tool:

1. Injuries and material damage caused by flying parts. Hearing damage if you do not wear suitable hearing protection or use the power tool for a long period of time.
2. Damage to health resulting from hand-arm vibrations if the power tool is used for a long period of time or is not properly operated and maintained.



WARNING! RISK OF ELECTRIC SHOCK!

This machine generates an electromagnetic field during operation. Under certain circumstances, this field can affect active or passive medical implants. To reduce the risk of serious or fatal injuries, we recommend that persons with medical implants consult their physician and the manufacturer of the medical implant before operating the machine!

SAFETY

GENERAL SAFETY



WARNING! RISK OF SHORT CIRCUIT!

Penetrated liquids can cause a short circuit in the scarifier.

- If you then come into contact with the vertical scarifier, you may be injured by electric shock. The scarifier can also be damaged by a short circuit.
- If it starts to rain during scarifying, switch off the scarifier immediately, disconnect the mains plug from the extension cable and pull it out of the socket.



WARNING! DANGER OF ELECTRIC SHOCK!

- Only connect the scarifier if the mains voltage of the socket corresponds to the information on the type plate.
- Use an extension cable of type H05 RN-F, H05 VVF or better with a cable cross-section of at least $2 \times 1.5 \text{ mm}^2$. The extension cable must not be longer than 20 m.
- Do not operate the scarifier if it shows visible damage or if the mains cable or the mains plug is defective.
- Do not use the scarifier with a defective extension cable.
- Do not change the motor settings. Do not overload the motor.
- Do not immerse the scarifier, the extension cord and the power plug in water or other liquids.
- Never touch the power plug with wet hands.
- Never pull the power plug out of the socket by the power cord, but always touch the power plug.
- Never use the power cord as a carrying handle. Always carry the scarifier by its carrying handle.
- Keep the scarifier's power cable and the extension cable away from open fires, hot surfaces, oil and sharp edges.

SAFETY

- Lay the power cable in such a way that it does not become a tripping hazard.
- Do not bend the power cord or place it over sharp edges.
- Do not drive the scarifier over the extension cord.
- Make sure that the extension cord is not knotted.
- Ensure that no objects are inserted into the scarifier housing.
- Switch off the scarifier and disconnect it from the power supply when it is no longer in use, for cleaning or maintenance purposes or if a fault occurs.
- If the power cable from the motor to the start button is damaged, it must be replaced by the manufacturer or its customer service department or a similarly qualified person in order to avoid hazards.



WARNING! DANGER OF SHARP BLADES!

The scarifier uses a fast rotating roller with sharp blades. You could injure yourself or others with them if handled carelessly. Small objects (stones, sticks, wires, bones, etc.) can be thrown away from the scarifier by the rotation of the roller. This can cause serious injuries to yourself or others.

- Never lift or carry the scarifier while the motor is running.
- Remember that as an operator, you are responsible for accidents or risks involving other persons or their property.
- Ensure that all nuts, bolts and screws are tightened securely so that the scarifier is in a safe working condition.
- The roller continues to rotate for a short time after the scarifier has been switched off. Wait for the roller to stop before lifting, carrying, tilting or transporting the scarifier.
- Switch off the scarifier and disconnect the extension cable from the power supply before lifting, carrying or tipping the scarifier to another location.

SAFETY

- Never place hands or feet on or under rotating parts. Always keep your hands and feet away from the ejector opening.
- Make sure that there is sufficient distance between the feet and the roller.
- Do not start the engine when standing in front of the ejection channel.
- Switch off the scarifier and disconnect the extension cable from the power supply before lifting, carrying or tipping the scarifier to another location.
- Never place hands or feet on or under rotating parts. Always keep your hands and feet away from the ejector opening.
- Make sure that there is sufficient distance between the feet and the roller.
- Do not start the engine when standing in front of the ejection channel.



WARNING! DANGER OF EXPLOSION!

The roller of the scarifier or objects thrown away can cause sparks when hitting metal. These sparks can ignite flammable liquids, gases or dust.

- Do not use the scarifier in environments where there is a risk of explosion due to flammable liquids, gases or dust.



WARNING! RISK OF INJURY!

Hazards for children and persons with reduced physical, sensory or mental abilities (e.g. partially disabled, elderly persons with reduced physical and mental abilities) or lack of experience and knowledge (e.g. older children).

- This scarifier can be used by persons with reduced

SAFETY

physical, sensory or mental abilities or lack of experience and knowledge, if they have been instructed or instructed in the safe use of the scarifier and understand the resulting dangers. Children must not play with the scarifier.

- Keep children away from the scarifier and the connecting cable.
- Do not leave the scarifier unattended during operation.
- Do not let children play with the packaging film. Children can get caught and suffocate while playing.



NOTE! DANGER OF DAMAGE!

Improper handling of the scarifier may result in damage to the scarifier.

- Do not bring the power cord into contact with hot parts.
- Never expose scarifiers to high temperatures (heating, etc.) or weather conditions (rain, etc.).
- Never fill liquid into the scarifier.
- Never immerse the scarifier in water for cleaning and never use a steam cleaner for cleaning. The scarifier may otherwise be damaged.
- Do not use the scarifier if the plastic components of the scarifier have cracks or fissures or have become deformed. Only replace damaged components with suitable original spare parts.
- Switch off the scarifier when areas other than grass are crossed and when transporting the scarifier to and from the area to be worked.
- Do not change the controller setting of the motor or over-rotate it.
- Check the collection bag regularly for wear or damaged parts.

SYMBOLS

SAFETY SYMBOLS

The purpose of safety symbols is to attract your attention to any possible dangers. The safety symbols and their explanations deserve your careful attention and full understanding. The symbol warnings do not, by themselves, eliminate any danger. The instructions and warnings they give are no substitute for proper accident prevention measures.



WARNING: Be sure to read and understand all safety instructions within this operator's manual, including all safety alert symbols such as "**DANGER**", "**WARNING**", and "**CAUTION**" before using this tool. Failure to follow all instructions listed below may result in electric shock, fire and/or serious personal injury.

SAFETY ALERT SYMBOLS: Indicate **DANGER**, **WARNING**, or **CAUTION**. May be used in conjunction with other symbols or pictographs.

SYMBOL MEANINGS

This page depicts and describes safety symbols that may appear on this product. Read, fully understand and follow all instructions on the appliance before attempting to assemble and operate.

SYMBOLS



Caution! Read the user manual prior to start-up!



Declaration of conformity (see chapter “Declaration of conformity”): Products marked with this symbol meet all the applicable Community regulations of the European Economic Area.



Conforms to relevant UK regulatory requirements.



Keep bystanders away. Objects thrown by the product could hit the user or other bystanders. Always ensure that other people and pets remain at a safe distance from the product when it is in operation.



Beware of sharp tines. Tines continue to rotate after the motor is switched Off. Switch off! Remove plug from mains before cleaning or maintenance. Remove plug from the mains immediately if the cable is damaged or cut.



There is a danger of electric shock. Take care not to drive over the flexible extension cable when scarifying. The roller would cut it. Always hook the cable into the cable safety catch.

SYMBOLS



Risk of explosion - The scarifier roller or objects thrown away can cause sparks when they hit metal. These sparks can ignite flammable liquids, gases or dust.



Wear ear protection, eye protection and gloves when using the product.



This symbol indicates that the device complies with the protection class II.

IPX4 Protection against water jets from all directions



To avoid potential electric shock, do not use the unit in humid or wet conditions.



Guaranteed sound power level value is 98 dB



This symbol indicates that the mains plug must be disconnected from the power supply immediately if the cord is damaged, twisted or knotted, if it has been severed, or if the washer is left unsupervised, even for a short period of time.

SYMBOLS



WEEE symbol. Waste electrical products should not be disposed of with household waste.

Please recycle where facilities exist. Check with your Local Authority or local store for recycling guidelines.

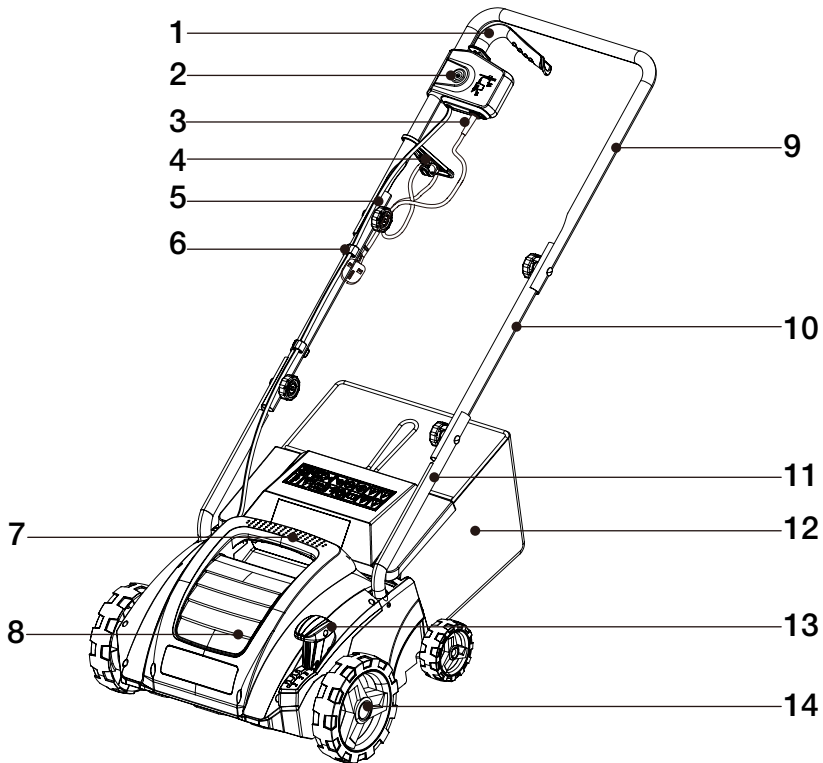
TECHNICAL DATA

MODEL	EA U32
Nominal voltage / Frequency	230–240 V~/50 Hz
Power	1500W
Engine speed Idle speed	3000 min ⁻¹
Protection class	II
Weight	9.7 kg
Working Width	32 cm
Working depth in mm	-12, -8, -4, +6
Collecting Bag Capacity	30 L
Vibration	4.246 m/s ² ; K = 1.5 m/s ²
Protection class	IPX4
Measured sound power level (L _{WA})	96.75 dB(A), K = 1.08 dB(A)
Measured sound pressure level (L _{PA})	84.3 dB(A), K = 3.0 dB(A)
Guaranteed sound power level (L _{WA})	98 dB(A)

The declared vibration value has been measured in accordance with a standard test method and may be used for comparing one tool with another. The declared vibration value may also be used in a preliminary assessment of exposure.

DESCRIPTION OF PRODUCT

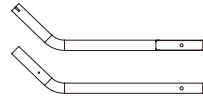
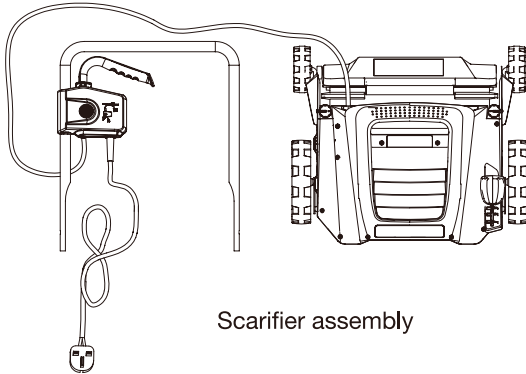
PARTS DESCRIPTION



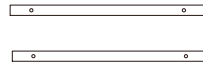
- | | |
|--------------------------------|-----------------------------|
| 1. Start/Stop lever | 8. Scarifier deck |
| 2. Lock-off button | 9. Upper handle |
| 3. Power supply | 10. Middle handle |
| 4. Cord strain relief | 11. Lower handle |
| 5. Mounting set for handle bar | 12. Collection box |
| 6. Cord clip with Allen key | 13. Height adjustment lever |
| 7. Handle | 14. Wheel |

DESCRIPTION OF PRODUCT

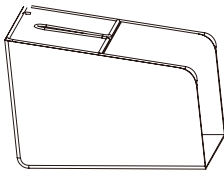
THE DELIVERY PARTS



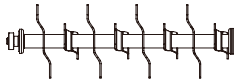
Lower handle x 2



Middle handle x 2



Collection box



Scarifier roller



Raking roller



Cord clips x 2



Allen key



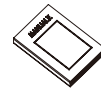
Nut x 4



Screw x 4



Cord strain relief

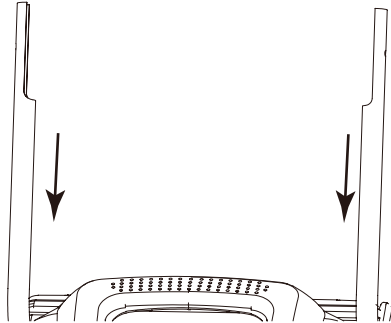


Manual

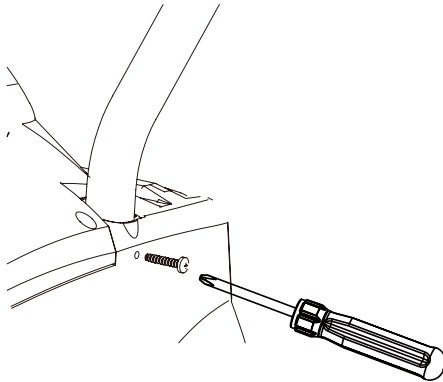
INSTALLATION

ASSEMBLY THE ACCESSORIES

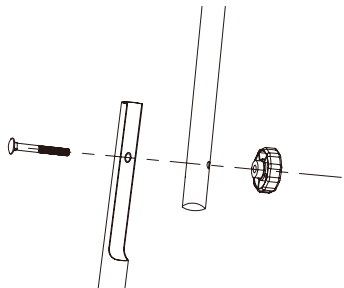
1. Slide the two bottom handle parts into the locating holes in the housing until they reach the stops. Make sure the holes in the lower handle face outwards for screw fixing.



2. Fasten the handle with the two self-tapping screw.

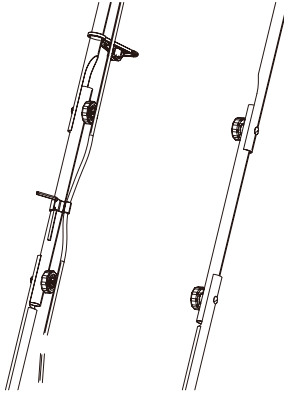


3. Align the middle handle bars to the lower ones. Make sure the holes of the handle bars correspond and secure them with handle assembly mounting set on each side, make sure the locking knob is located inside.

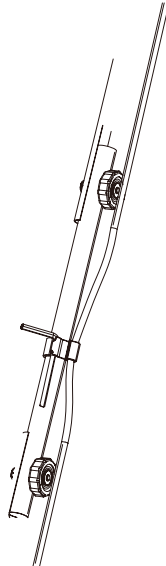


INSTALLATION

- Slide the cord strain relief onto the upper handle bar (the side of handle with switch) before assembly. Align the upper handle bar with the middle handle bar and secure them with handle assembly mounting set with locking knobs located inside on each side.



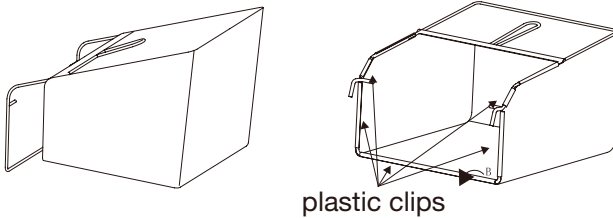
- Assemble the cord clip with cord and allen key as a storage.



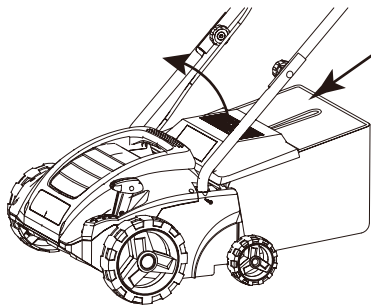
INSTALLATION

ASSEMBLY THE COLLECTION BOX

1. First attach the 5 plastic clips onto the metal frame of the grass collection box.



2. Lift up the protective cover.
3. Hang the grass collecting box in place by hooking the 2 hooks into the corresponding holes on the discharge opening .



Note: If you do not wish to collect the grass, the machine can also be operated without the collecting box. In this case the protective cover folds downwards.

OPERATION



WARNING! In some countries regulations define at what time of the day and on what special days products are allowed to be used and what restrictions apply!

Ask your community for detailed information and observe the regulations in order to preserve a peaceful neighborhood and avoid committing administrative offences!



WARNING! If the product strikes a foreign object stop the motor! Switch the product off, disconnect it from the power supply and let it cool down. Inspect the product thoroughly for damage! Have any damage repaired before restarting!



WARNING! Extensive vibration of the product during operation is an indication of damage! The product should be promptly inspected and repaired!

1. Check the product, its power cord and plug as well as accessories for damage before each use. Do not use the product if it is damaged or shows wear
2. Double check that accessories are properly fixed.
3. Push the product forward by its handle. Keep the handle dry to ensure safe support.
4. Ensure that the air vents are always unobstructed and clear. Clean them if necessary with a soft brush Blocked air vents may lead to overheating and damage the product.
5. Switch the product off immediately if you are disturbed while working by other people entering the working area. Always let the product come to complete stop before putting it down.
6. Do not overwork yourself. Take regular breaks to ensure

OPERATION

you can concentrate on the work and have full control over the product.

7. Mow the lawn before working and fertilise afterwards
8. Make sure that the lawn is clear of stones, sticks, wire or other objects that could damage the product or its motor.
9. Select the suitable cutting depth for the actual grass height.
10. Do not work with this product on a wet lawn because it tends to stick to the underbody of the product, preventing the proper discharge of collected material, and it could also cause you to slip and fall.
11. Slowly push the product forward. Move the product at appropriate speed. Do not move it too fast to prevent the discharge opening from getting blocked and engine from useless overloading.
12. Work in slight overlapping rows. The most effective pattern for scarifying/raking lawns is straight lines along one of the sides. This will keep the rows even and ensures that all the lawn is scarified/raked without missing any spots.
13. Circle around flower beds. When reaching a flower bed in the middle of the lawn, make a row or two around the circumference of the bed
14. Pay special attention when changing direction.
15. Never tilt or transport appliance with running motor
16. Never leave the appliance unattended.
17. When leaving, disconnect the appliance from the power supply.

OPERATION

SELECT/REPLACE ROLLER



NOTE!

How to use the scarifier (using scarifying roller)

- By scarifying you remove the hardened surface, grass felt and flat-growing weeds and the crusted over grassroots are loosened up. The lawn will start to breath again and assimilate the nourishing substances, oxygen and water. This also prevents the establishing of bacteria in the lawn felt during the wintertime.
- Cut the grass to a height of about 40 mm before scarifying. The lawn must be dry when using the machine The best time for an scarifying is any time during the vegetative season, from end April through to September. Scarify it at least once a year. We recommend using a fertilizer straight after airing if you want a green carpet.

How to use the raker (using rake roller)

- By raking you remove the dead matter, moss and weed which disfigures a lawn. The build up of dead grass provides a mat of absorbent fibres which prevents water gelling through to the ground
- Do not force your rake through grass that is longer than 75mm. The lawn must be dry when using the machine. It's recommend that your raker is used at the beginning and the end of each grass cutting season to give your lawn a thorough raking. Your raker should also be used after each mowing to remove any grass culling that may be left by your mower.



WARNING!

Danger from sharp knives and prongs!

OPERATION

The scarifier uses a fast rotating roller with sharp blades or tines. You could injure yourself or others if handled carelessly. Small objects (stones, sticks, wires, bones, etc.) can be thrown away from the machine by the rotation of the roller. This could cause serious injury to yourself or others.

- Check that you have correctly assembled the scarifier before use.
- Wear protective gloves when inserting the roller to avoid injury.

CHANGING THE WORKING ROLLERS

WARNING!



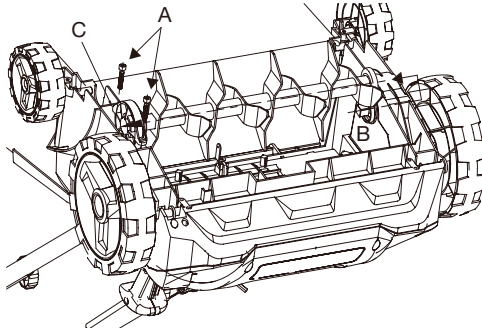
Wear work gloves before starting work, pull the mains plug out of the outlet and wait until the roller has come to a standstill.

For scarifying

Correct cutting blade fitted already thus no need for extra installation.

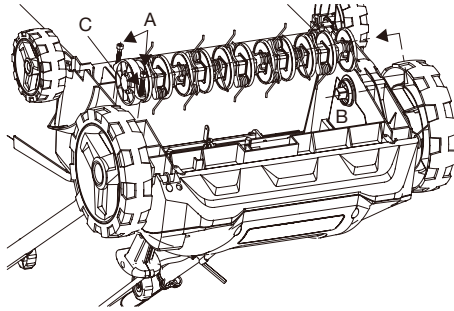
For raking

1. Use an Allen key to replace the working roller.
2. Turn the machine over and loosen the two screws (A) on the bearing shell (C) .
3. Lift the roller on the bearing side and pull it out of the drive (B).



OPERATION

4. Lift the complete roller upwards out of the machine
5. Pull the bearing shell (C) off the roller. Fit the bearing shell (C) to the new work roller.
6. Slide the square drive bushing of the new roller onto the drive axle (B) of the machine.



7. Fit the other end of the work roller with the bearing shell (C) into the corresponding mount on the machine
8. Fasten the roller with the two screws (A) and tighten these with the Allen key. Then turn the machine back over again.

SETTING THE WORKING DEPTH

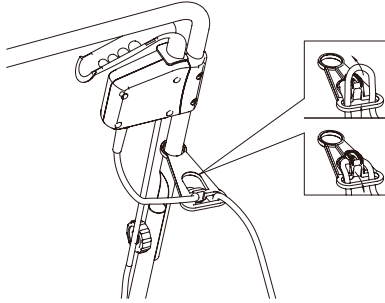
The working depth is adjustable to 4 heights referring to below table. Pull adjustment lever (7) away from one position and move to catch in desired position.

POSTION	Working height
1	-12 mm
2	-8 mm
3	-4 mm
4	+6 mm

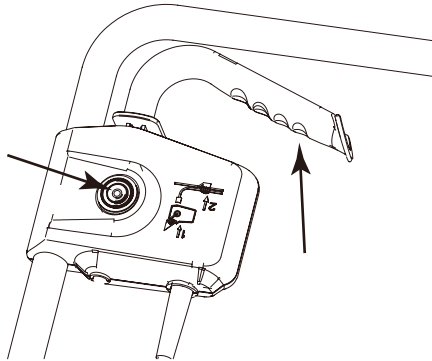
OPERATION

SWITCHING ON/OFF

1. Secure the cable to the wire strain relief.



2. Push the safety lock-off button on the switchbox, then pull the switch lever towards the handle. After the tool has been switched on, you do not have to hold the switch on lock any longer.



WARNING!

After motor has been switched off, the roller continues to rotate for a few seconds - therefore, do not put your hands under the appliance straight away.

MAINTENANCE AND STORAGE



WARNING!

Before carrying out any repairs or servicing work, you must ensure that the product has been disconnected from the power supply. Repairs and maintenance work other than described within this instruction manual may be performed only by qualified specialist!

To ensure long and reliable service, carry out the following maintenance regularly. Servicing and cleaning work on the product and the removal of the guards may only be carried out after the motor has been switched off and the plug disconnected from the power supply.

1. Regularly check for obvious defects such as loose, dislodged or damaged chain and guide bar, loose fixings and worn or damaged components
2. Check that covers and guards are undamaged and correctly fitted. Carry out necessary maintenance or repairs before using the product
3. If the cutting device should happen to fail despite the care taken in manufacturing and testing, repair should be carried out by an authorized specialist
4. Do not clean the product while it is running
5. Ensure that all the fastening elements (screws, nuts, etc.) are tight at all times so that you can safely work with the product.
6. Check the product frequently for signs of wear. Replace worn or damaged parts.
7. Store your product in a dry place. To ensure a long service life all screw parts should be cleaned and then oiled.
8. Clean the product with a brush or cloth. Do not use any solvents or water to remove dirt.
9. The component that is subject to most wear is the cutting device. You should therefore check the condition of the cutting device

MAINTENANCE AND STORAGE

and its mounting at regular intervals.

- If the cutting device is worn or blunt it must be replaced immediately;
- If the product starts to suffer from excessive vibrations, this means that the cutting device has not been balanced correctly or has suffered deformation due to impacts. In this case it must be repaired or replaced

After use

1. Switch the product off, disconnect it from the power supply and let it cool down.
2. Check, clean and store the product as described below.
3. Turn the adjustment lever to the "HIGH" position

Collection box

1. Inspect the collection box before each use. Do not use it if you find any damage
2. Clean the collection box after operation. Let the collection box dry thoroughly before storing to avoid mildew

Transportation

1. Switch the product off and disconnect it from power supply before transporting it anywhere
2. Turn the adjustment lever to the "HIGH" position
3. Attach transportation guards, if applicable
4. Always transport the product by its handle
5. Protect the product from any heavy impact or strong vibrations which may occur during transportation in vehicles.
6. Secure the product to prevent it from slipping or falling over.

TROUBLESHOOTING



WARNING!

Only perform the steps described in these instructions! All further inspection, maintenance and repair work must be performed by a qualified specialist! Contact a specialist if the problem cannot be solved by yourself!



WARNING!

The product does not perform properly, or sound are abnormal, or motor cannot be started, or stopped as described, or the cutting device does not work properly, or any other irregularity, or malfunction occurs, do not attempt to repair the product by yourself

Please contact helpline or service center.



WARNING!

Before carrying out any maintenance operations, cut off the electric power supply by disconnecting the plug from the extension cable.

Problem	Possible cause	Solution
The motor will not start.	The mains connection is defective.	Check the cable and fuse.
	The power cable is defective.	Check the power cable.
	The switch is defective.	Call customer service.
	The connections at the motor are loose.	Call customer service.
	The scarifier housing is clogged.	Change the scarifying depth and clean the housing.
The motor has misfiring.	The power cable is not plugged in correctly.	Check the plug connection on the machine and the extension cable for tightness.

TROUBLESHOOTING

Problem	Possible cause	Solution
The motor power decreases.	The floor is too hard.	Correct the scarifying depth.
	The scarifier housing is clogged.	Clean the housing.
	The roller is worn out.	Replace the roller.
It is scarified uncleanly.	The roller is worn.	Replace the roller.
	The scarifying depth is incorrect.	Correct the scarifying depth.
	The lawn is too high.	Mow the lawn.
The motor is running, the roller is not.	The toothed belt is torn.	Call the customer service.
The scarifier is very loud.	Individual parts are not correctly mounted and/or screws are loose.	Check the individual parts for correct assembly and tighten loose screws.
The scarifier rattles.	Foreign objects on the roller strike against the scarifier.	Remove the foreign bodies.

DECLARATION OF CONFORMITY

Declaration of Conformity

We
MEROTEC GmbH
Otto-Brenner-Str. 8, D-47877 Willich, Germany
Herewith declare under our own, sole responsibility that our product:

Declare that the product:
Machine Description: 1500W Electric Scarifier
EA U32 / WR6005-1500
Function: Clean the walls of buildings etc.

Complies with the following directives:

2006/42/EC Machinery Directive
2014/30/EU EMC Directive
2000/14/EC Noise Directive, amended by 2005/88/EC
Conformity assessment procedure: 2000/14/EC Annex V
Measured sound power level $L_{WA} = 96.75$ dB(A)
Guaranteed sound power level $L_{WA} = 98$ dB(A)
2011/65/EU RoHS

Applied harmonized standards:

EN 60335-1:2012+A11+A13+A14+A2+A15
EN 50636-2-92:2014
EN IEC 55014-1:2021
EN IEC 55014-2:2021
EN 61000-3-3:2013+A1+A2
EN IEC 61000-3-2:2019+A1

MEROTEC GmbH
Otto-Brenner-Str. 8
D-47877 Willich
Place, date: Willich, 28.09.2025

Ronald Menken



Authorised Signature: _____
Ronald Menken
General Manager

DECLARATION OF CONFORMITY

To the provisions of Council Directives

We
SUMEC UK

Unit A&B Escrick Business Park Escrick, York YO19 6 FD/ United Kingdom

Declare that the product:

Machine Description: 1500W Electric Scarifier
EA U32 / WR6005-1500

Function: Clean the walls of buildings etc.

Complies with the essential health and safety requirements of the following directives:

Supply of Machinery (Safety) Regulations 2008

Electromagnetic Compatibility Regulations 2016

The Restriction of the Use of Certain Hazardous Substances in Electrical and Electronic Equipment Regulations 2012

Noise Emission in the Environment by Equipment for use Outdoors Regulations 2001

Measured Sound Power Level: 96.75 dB (A)

Declared Guaranteed Sound Power Level: 98 dB (A)

Standards and technical specification referred to :

EN 60335-1:2012+A11+A13+A1+A14+A2+A15

EN 50636-2-92:2014

EN IEC 55014-1:2021

EN IEC 55014-2:2021

EN 61000-3-3:2013+A1+A2

EN IEC 61000-3-2:2019+A1

Authorized Signatory

Date: 28.09.2025



Signature: _____

Place: York

Name: Mariana Hall

General Manager



SUMEC UK

Unit A&B Escrick Business Park Escrick

York YO19 6 FD, United Kingdom

DISPOSAL

DISPOSING OF PACKAGING

Dispose of packaging according to type. Sort the paperboard and cardboard as waste paper and the film as recyclable material.

Disposing of the appliance

Applicable in the European Union and other European countries with systems for separate collections of recyclable waste.



This symbol indicates that this product may not be disposed of together with domestic waste in compliance with the (2012/19/EU) Regulation pertaining to waste electrical and electronic devices (WEEE). This product must be handed in at a collection point intended for the purpose. This can occur, for example, by handing it in at an authorised collecting point for the recycling of waste electrical and electronic equipment. Owing to potentially hazardous substances that are frequently contained in waste electronic equipment, incorrect handling of waste equipment may have a negative impact on the environment and on the health of human beings. By disposing of this product correctly, you are also contributing towards an efficient use of natural resources. Information on collecting points for waste equipment can be obtained from your local authority, an authorised institution for the disposal of waste electrical and electronic equipment or the waste collection services.