



# User Manual



# 1700 W DEMOLITION BREAKER

Z1G-DS-65D

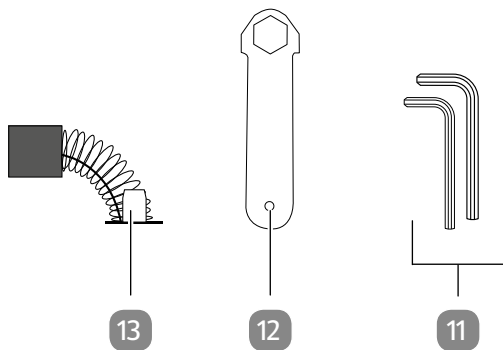
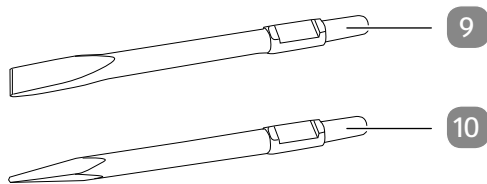
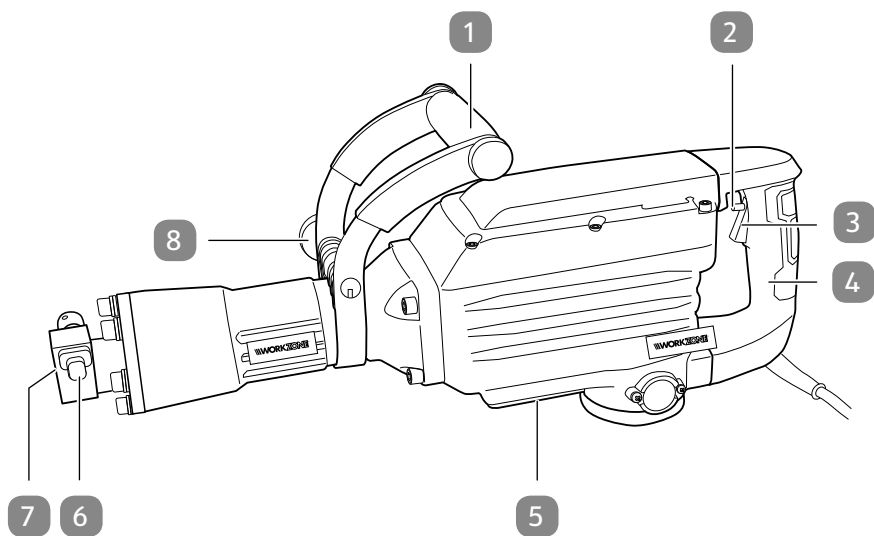


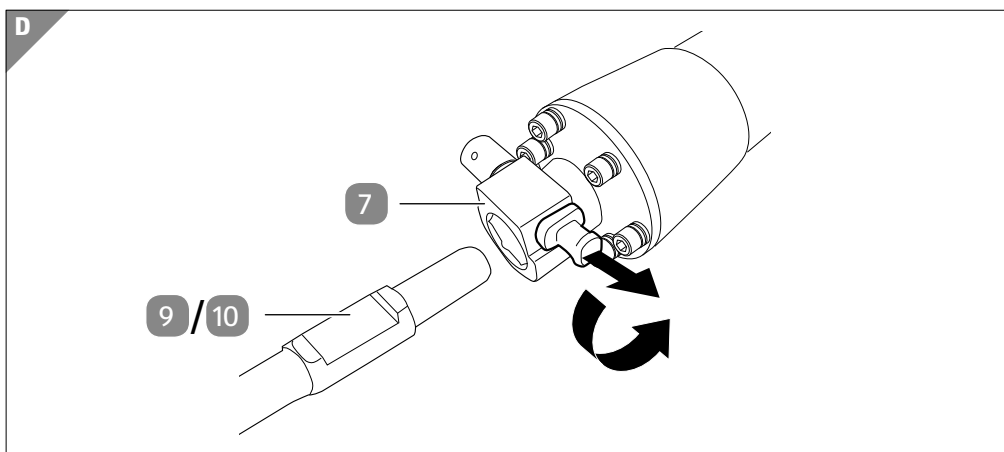
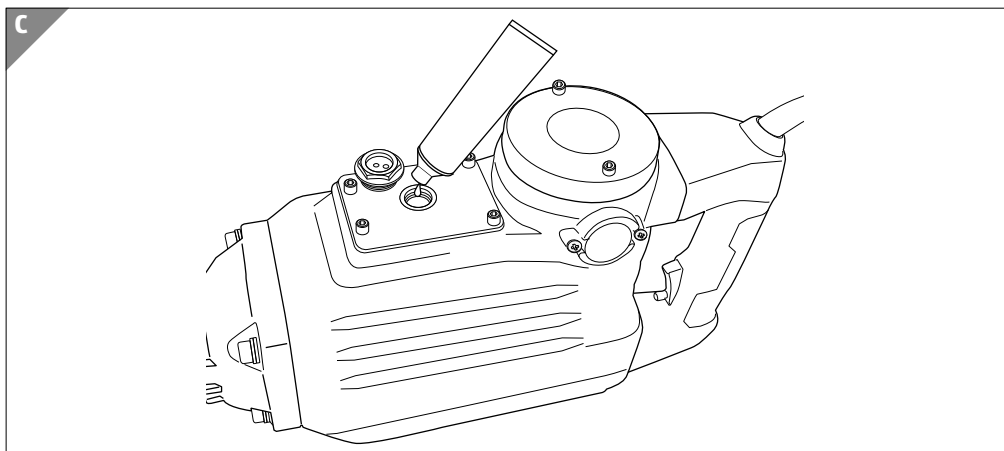
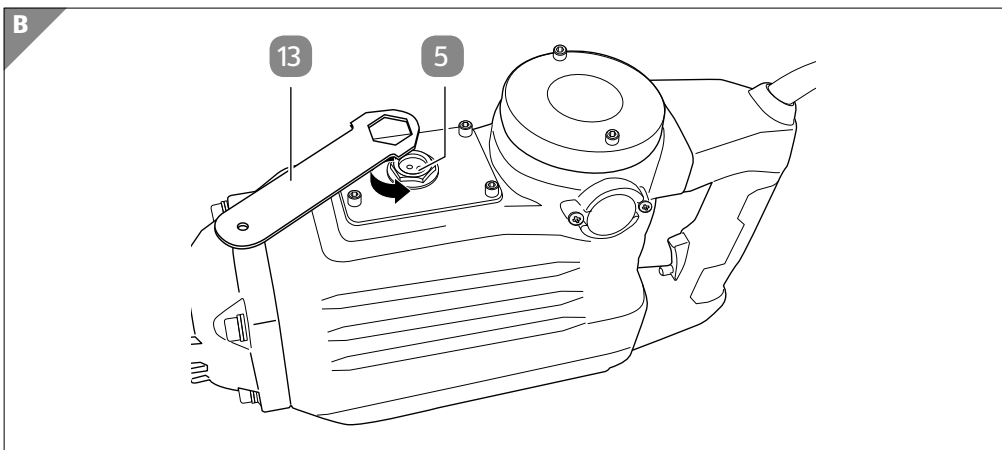
**Original instructions**

# Contents

<b>Overview .....</b>	<b>3</b>
<b>Use.....</b>	<b>4</b>
<b>Package contents/parts list.....</b>	<b>6</b>
<b>General information.....</b>	<b>7</b>
Reading and storing the user manual .....	7
Explanation of symbols .....	7
<b>Safety .....</b>	<b>8</b>
Proper use.....	8
Residual risks.....	9
General safety notes for power tools.....	9
Safety instructions for demolition breakers.....	12
Safety instructions for the mains connection .....	13
Supplementary safety instructions .....	13
<b>First use.....</b>	<b>14</b>
Checking the demolition breaker and package contents .....	14
Mounting the extra handle .....	14
Attach and remove the insertion tool .....	15
<b>Operation.....</b>	<b>16</b>
Switching the demolition breaker on and off .....	16
Working with the demolition breaker .....	16
<b>Cleaning and maintenance.....</b>	<b>17</b>
Replacing the carbon brushes .....	17
Refilling the lubricant .....	18
Tighten the screws .....	18
Checking the demolition breaker .....	18
<b>Storage and transport .....</b>	<b>18</b>
<b>Technical data .....</b>	<b>19</b>
<b>Noise/vibration information .....</b>	<b>19</b>
<b>Disposal.....</b>	<b>21</b>
Disposing of the packaging .....	21
Disposing of the demolition breaker .....	21
<b>Declaration of conformity.....</b>	<b>22</b>

A







## Package contents/parts list

- 1 Extra handle
- 2 Locking knob
- 3 On/Off switch
- 4 Handle
- 5 Screw plug for the system
- 6 Locking bolts
- 7 Tool holder
- 8 Tensioning knob
- 9 Flat chisel (insertion tool)
- 10 Sharp chisel (insertion tool)
- 11 Hex key set
- 12 Spanner
- 13 Carbon brushes, 2×
- 14 Storage case (without image)

# General information

## Reading and storing the user manual



This user manual accompanies this 1700 W Demolition breaker (referred to below only as the “demolition breaker”). It contains important information on safety, usage and care.

Read this user manual carefully before using the demolition breaker.

Pay particular attention to the safety instructions and warnings. Failure to follow the instructions in this user manual may result in severe injury or damage to the demolition breaker.

You must comply with applicable local or national regulations concerning the use of this product. Keep this user manual in a safe place for future reference. If you pass the demolition breaker on to third parties, please be absolutely sure to include this user manual.

## Explanation of symbols

The following symbols and signal words are used in this user manual, on the demolition breaker or on the packaging.



Indicates a hazardous situation that, if not avoided, could result in death or serious injury.



Designates a dangerous situation that may result in minor or moderate injury if not avoided.



Warns of possible damage to property.



Declaration of conformity (see chapter “Declaration of conformity”): Products marked with this symbol meet all applicable Community regulations for the European Economic Area.



This test seal confirms that the demolition breaker is safe if used in the proper way. The “GS” symbol stands for certified safety. Products marked with this symbol meet the requirements of the German Product Safety Act (ProdSG).



The demolition breaker complies with protection class II.



Read the user manual.



Wear protective goggles.



Wear a dust mask.



Wear ear protection.



Wear suitable secure footwear.



Wear suitable protective gloves.



Do not dispose of old appliances with your household waste.

## Safety

### Proper use

The demolition breaker is only designed for private users in connection with hobby and DIY projects for the following purposes:

- for heavy chiselling and demolition jobs on concrete, brick, stone and similar materials with the corresponding accessories.

Any other applications are expressly prohibited and are deemed improper use.

Neither the manufacturer nor the retailer can accept any responsibility for injury, loss or damage caused by misuse of this product of any kind. Examples of misuse are given in the following non-exhaustive list:

- Use of the demolition breaker for other purposes than that for which it is intended;
- Failure to observe the safety instructions and warnings as well as the assembly, operating, maintenance and cleaning instructions contained in this user manual;
- Failure to comply with any regulations relating to accident prevention, occupational medicine or safety, which specifically and/or generally apply to the use of this demolition breaker;

- Use of accessories and spare parts not intended for the demolition breaker;
- Modifications to the demolition breaker;
- Repairs to the demolition breaker performed by parties other than the manufacturer or a qualified professional;
- Commercial or industrial use of the demolition breaker as well as in connection with the trades;
- Operation or maintenance of the demolition breaker by persons not familiar with how to handle the demolition breaker and/or who are not aware of the related risks.

## Residual risks

Despite proper use, **certain** residual risks cannot be completely ruled out.

Depending on the type of demolition breaker, the following risks may occur:

- hearing loss in the event of failure to use the required ear protection;
- nerve and muscle damage in the event of failure to use suitable gloves;
- lung damage in the event of failure to use a dust protection mask.

## General safety notes for power tools

 **WARNING** Read all safety instructions and instructions.

*Failure to follow the safety notes and instructions may result in an electric shock, fire and/or severe injury.*

**Keep all safety notes and instructions for future reference.**

*The term “power tool” used in the safety instructions refers to mains-operated power tools (corded) and battery-powered power tools (cordless).*

## Work place safety

- a) **Keep your work area clean and well lit.** *Disorganisation or unlit work areas may result in accidents.*
- b) **Do not work with the power tool in areas with a risk of explosion where flammable liquids, gases or dusts are present.** *Power tools may produce sparks that could ignite dust or vapours.*
- c) **Keep children and other persons away from the power tool while you are using it.** *If you are distracted, you could lose control of the device.*

## Electrical safety

- a) **The connector plug for the power tool must fit in the socket. The plug must not be modified in any way. Do not use any adapter plugs in combination with power tools with protective earthing.** *Plugs that have not been modified and sockets with the proper fit reduce the risk of an electric shock.*
- b) **Avoid body contact with earthed surfaces like pipes, heaters, stoves and refrigerators.** *There is an increased risk of electric shock if your body is grounded.*
- c) **Keep power tools away from rain or moisture.** *If water penetrates a power tool, there is an increased risk of electric shock.*
- d) **Do not use the cord for purposes other than the intended one such as for carrying the power tool, hanging it up or pulling the plug out of the socket. Keep the cord away from heat, oil, sharp edges or moving parts of the device.** *A damaged or wound up cable increases the risk of an electric shock.*
- e) **If you are working with a power tool outdoors, only use extension cords that are also suitable for outdoor use.** *The use of an extension cord suitable for outdoor application reduces the risk of electrical shock.*
- f) **If operating the power tool in a damp environment cannot be avoided, use a RCD.** *Using a RCD reduces the risk of an electric shock.*

## Safety of persons

- a) **Be careful, pay attention to what you are doing and approach work with a power tool in a reasonable manner. Do not use any power tool if you are tired or under the influence of drugs, alcohol or medication.** *A single moment of inattentiveness when using the power tool can result in serious injury.*
- b) **Wear personal protective gear and always wear safety glasses.** *Depending on the type of power tool and how it is used, wearing personal protective gear such as a dust mask, non-slip safety shoes, a protective helmet or ear protection reduces the risk of injury.*
- c) **Avoid accidentally activating the device. Make sure that the power tool is turned off before you connect it to the power supply and/or the rechargeable battery, pick it up or carry it.** *If you have your finger on the switch when carrying the power tool or connect the device to the power supply when it is turned on, this may cause an accident.*

- d) **Remove all adjusting tools or spanners before you switch the power tool on.** *A tool or spanner in contact with a rotating part of the device may result in injury.*
- e) **Avoid an abnormal posture. Keep proper footing and balance at all times.** *This will allow you to have better control of the power tool in the event of unexpected situations.*
- f) **Wear suitable clothing. Do not wear loose clothing or jewellery. Keep your hair, clothing and gloves away from the moving parts.** *Loose clothing, jewellery or long hair may get caught in the moving parts.*
- g) **If the tool is provided for the connection of dust extraction and collecting equipment, ensure these are connected and properly used.** *Using a dust extractor may reduce risks associated with dust.*

### Using and handling the power tool

- a) **Do not overload the device. Use the right power tool for your work.** *The right power tool will ensure that you work more effectively and safely within the specified power range.*
- b) **Do not use a power tool if its switch is defective.** *A power tool that can no longer be switched on or off is dangerous and must be repaired.*
- c) **Pull the plug out of the socket and/or remove the rechargeable battery before you make any adjustments to the device, change the accessories or put away the device.** *This precaution will prevent the power tool from accidentally starting.*
- d) **Keep all power tools out of the reach of children. Do not let persons use the device if they are not familiar with it or have not read these instructions.** *Power tools are dangerous if used by inexperienced persons.*
- e) **Maintain power tools with care. Check to make sure that the moving parts are functioning properly and not stuck, whether parts are broken or damaged so as to affect the function of the power tool.** *Have damaged parts repaired before you use the device. A large number of accidents are caused by poorly maintained power tools.*

- f) **Keep cutting tools sharp and clean.** *Well maintained cutting tools with sharp cutting edges are less likely to catch and are easier to guide.*
- g) **Use the power tool, accessories, insertion tools etc. in accordance with these instructions. At the same time, consider the working conditions and the work to be performed.** *Using power tools for applications other than the intended ones may result in dangerous situations.*

## Service

- a) **Only have your power tool repaired by a qualified professional and only with original spare parts.** *This will ensure that the safety of the power tool is not compromised.*

## Safety instructions for demolition breakers

- a) **Wear ear protection.** *Noise may cause hearing loss.*
- b) **Use the extra handles supplied with the device.** *Loss of control may cause injury.*
- c) **Hold the device by the insulated gripping surfaces when performing work where the fitted tool may come into contact with hidden power lines or its own mains cord.** *Cutting accessory contacting a “live” wire may make exposed metal parts of the power tool “live” and could give the operator an electric shock.*
- d) **Use appropriate search devices in order to detect hidden supply lines or contact the supply company at the location for this purpose.** *Contact with voltage-carrying lines can cause fire and electric shocks. Damage to a gas line may cause an explosion. Penetrating a water pipe can cause damage to property or may cause an electric shock.*
- e) **Grip the tool with two hands when working and maintain a stable posture.** *It is always safer to operate the tool with two hands.*
- f) **Ensure you maintain a healthy, stable posture when working.**

---

## Safety instructions for the mains connection

- Do not use the demolition breaker in wet rooms or in areas where work is performed with spraying water or in the rain.
- Only connect the demolition breaker if the mains voltage of the socket corresponds to the operating voltage as indicated on the machine's rating plate.
- Only connect the demolition breaker to an easily accessible socket so that you can quickly disconnect it from the power supply in the event of a fault.
- Always pull the mains cord out of the socket before adjusting the settings or conducting any maintenance work.
- Do not use any adapter plugs in combination with power tools with protective earthing. Plugs that have not been modified and sockets with the proper fit reduce the risk of an electric shock.
- Lay the mains cord so that it does not pose a tripping hazard.
- Always position the mains cord to the rear away from the demolition breaker.
- Do not kink the mains cord and do not lay it over sharp edges.
- Do not carry the demolition breaker by the mains cord and do not hang it up by the mains cord.
- Do not use the demolition breaker if the mains connection line or the mains plug is damaged. If the mains connection line is damaged, it must be replaced by the manufacturer or an electrician to avoid risks.
- Connect the demolition breaker using a **RCD** switch with a release current of no more than 30 mA.
- With respect to outdoor use, only use an extension cord which is approved for outdoor use.

## Supplementary safety instructions

- Only work with the appropriate insertion tools. Check that the insertion tool is positioned correctly by pulling on it.
- For tasks carried out above ground level: Ensure that the area below is clear for tasks carried out above ground level.
- Check the demolition breaker and the insertion tool for rust and damage before each use. Never operate the demolition breaker if it is damaged or deformed. If you identify damage, contact our After Sales Support immediately at the service address indicated on the warranty card.

- Reduce the dust pollution. Particles caused by working with the demolition breaker may contain materials which can cause cancer, allergic reactions, respiratory illnesses, birth defects or other reproductive damage. Some examples of these materials are: Lead (in paint containing lead), mineral dust (from materials including bricks and concrete), additives in wood treatment agents (chromate, wood protection agents), some types of wood (such as oak or beech dust), metals, asbestos.
- Always wear hearing protection, protective goggles, protective gloves, a dust protection mask and sturdy shoes when working with the demolition breaker in order to avoid injuries.
- Vacuum or wash the protective clothing. Do not blow, beat or brush particles of dirt away.

## First use

### Checking the demolition breaker and package contents

1. Lift the demolition breaker out of the packaging with both hands.
2. Place the demolition breaker on a level, stable surface, such as a workbench.
3. Check whether the demolition breaker or the individual parts exhibit damage. If this is the case, do not use the demolition breaker. Contact the manufacturer at the service address specified on the warranty card.
4. Check to make sure that the delivery is complete (see **Fig. A**).

### Mounting the extra handle

- Fix the clamp ring of the extra handle **1** in the required position, by screwing the tensioning knob **8** tight (see **Fig. A**).

## Attach and remove the insertion tool



### Risk of injury!

There is a risk of injury from the insertion tool when it is running.

- Pull the mains plug out of the socket before attaching or removing the insertion tool.



### Burn hazard!

After working with the demolition breaker the insertion tool may become hot and cause burns.

- Do not touch the insertion tool or parts in the vicinity of the insertion tool immediately after working.
  - Always wear protective gloves when removing and inserting the insertion tool.
1. Pull the locking bolts **6** out gently and turn them by 180°, in such a way that the tool holder **7** is released (see **Fig. D**).
  2. Position the spigot of the insertion tool **9** / **10** with the nut facing upwards in the tool holder.
  3. Pull the locking bolts out gently and turn them by 180°, in such a way that the tool holder is locked.
  4. Check that the insertion tool is positioned correctly by pulling on it gently and rattling it.  
The insertion tool may move slightly but it must not be possible to pull it out.
  5. To remove the insertion tool, pull the locking bolts out gently and turn them by 180°, in such a way that the tool holder is released.
  6. Remove the insertion tool.

## Operation



### Risk of injury!

There is a risk of injury from the moving insertion tool.

- Do not point the insertion tool at yourself, other people or animals during operation.



### Risk of heat stroke!

Working for long periods at high temperatures may cause heat stroke.

- Ensure that you do not work at high temperatures for too long and take regular breaks when working.

## Switching the demolition breaker on and off

1. To switch the demolition breaker on, push the On/Off switch **3** and hold it down. The insertion tool will begin to move.
2. In order to lock the On/Off switch, push it in completely and then push the locking knob **2**.  
You can release the On/Off switch; the demolition breaker will continue to work.
3. To switch the demolition breaker off, push the locked On/Off switch briefly and hold it down.  
The locking knob will be released and the demolition breaker will switch off.

## Working with the demolition breaker

1. If you use the demolition breaker at low temperatures or after a long period of inactivity, let it warm up for a few seconds without the insertion tool.  
This makes it easier for the lubricating oil to circulate within the demolition breaker.
2. Hold the demolition breaker during the task with both hands on the handles **1** and **4** with a firm grip.
3. Only apply light pressure to the insertion tool.  
The chisel mechanism of the demolition hammer is activated when light pressure is applied to the working surface with the insertion tool.

## Cleaning and maintenance



### Risk of injury!

Improper cleaning and maintenance of the demolition breaker can lead to injury.

- Pull the mains plug out of the socket before cleaning and maintaining it.
- Remove the insertion tool before cleaning.
- Regularly maintain the demolition breaker and have necessary maintenance and repair work performed without delay.
- Never submerge the demolition breaker in water or other liquids.
- Make sure that no water or other liquids penetrate the housing.

### NOTICE!

### Risk of damage!

Cleaning the demolition breaker with unsuitable cleaners could damage it.

- Never clean the compressor with solvents or similar.
  - Do not use any aggressive cleaners or sharp or metallic cleaning utensils such as knives, hard scrapers or similar. They could damage the surfaces.
  - Never use a high-pressure cleaner to clean the demolition breaker.
  - Keep all protective devices, vents and the motor housing as free of dust and dirt as possible.
1. Switch the demolition breaker off and pull the mains plug out of the mains socket.
  2. Wipe the washer and the insertion tool off **9** / **10** with a slightly dampened cloth.
  3. Then dry all of the parts thoroughly.
  4. Clean the vents with a soft brush or paintbrush.

## Replacing the carbon brushes

The carbon brushes **13** may only be replaced by a specialist workshop or qualified specialist personnel.

- Always have both carbon brushes replaced at the same time.

## Refilling the lubricant

### NOTICE!

#### Risk of damage!

Insufficient lubrication can lead to damage to the demolition breaker.

- Always ensure that sufficient lubricant is present.

10 ml of lubricant must be refilled after 30 hours of operation in accordance with the specifications.

1. In order to refill the lubricant, open the screw plug for the system **5** using the spanner **12** (see **Fig. B**).
2. Refill the system with the lubricant (see **Fig. C**).
3. Close the screw plug again.

## Tighten the screws

- Make a regular check, prior to every use, that the screws are securely positioned in the demolition breaker's housing using the hex key set **11** and if necessary, pull it tight.

## Checking the demolition breaker

Check the condition of the demolition breaker regularly. Among other things, check to make sure:


- that the switches are not damaged,
- that the accessories are in proper condition,
- that the mains cord and the plug are not damaged,
- that the vents are unobstructed and clean. If applicable, use a soft brush to clean them.

**If you identify any damages, you must have them repaired by a specialist workshop to prevent risks.**

## Storage and transport

1. Pull the mains plug out of the socket.
2. Allow the demolition breaker to cool down completely.
3. Position the demolition hammer and accessories in the storage case **14** it was supplied with.
4. Store the demolition hammer in a dry, secure space that it is not accessible for children.
5. Secure the demolition breaker to prevent it from slipping when transporting it in a vehicle.

## Technical data

Article number:	94972
Model:	Z1G-DS-65D
Supply voltage:	230 V~/50 Hz
Nominal output:	1700 W
Protection class:	II 
Lubricant:	Long-life lubricating grease in accordance with DIN 51502
Number of strokes:	1900 min <sup>-1</sup>
Impact energy:	55 joules
Weight:	15 kg
Size (L × B × H):	approx. 88 × 17 × 35 cm

## Noise/vibration information



### Health hazard!

Working without ear protection and suitable protective clothing poses a health hazard.

- Wear ear protection and suitable protective clothing when working with the device.

Measured in accordance with DIN EN 60745. The noise at your workplace may exceed 85 dB(A); protective measures are necessary in this case (wear suitable ear protection).

- Sound pressure level  $L_{pA}$ : 92.87 dB(A)
- Sound power level  $L_{wA}$ : 105 dB(A)
- Uncertainty K: 3 dB(A)

The aforementioned values are noise emission values and therefore, do not necessarily represent safe values for the workplace. The correlation between emission and imission levels cannot reliably provide for a conclusion as to whether additional cautionary measures are necessary or not.

Factors that could affect the respective imission level present at the workplace involve the specification of the work area, the surrounding area, the duration of exposure, other noise sources etc.

You must also observe any deviations from national regulations with respect to permissible workplace levels. The aforementioned information does, however, allow the user to better assess dangers and risks.

- Vibration value  $a_h$ , CHeq: 18.575  $m/s^2$
- Uncertainty K: 1.5  $m/s^2$

**WARNING!**

The aforementioned vibration emission level (vibration value) has been measured in accordance with a test method standardised in DIN EN 60745 and can be used to compare one power tool to another. It is also suited for preliminary estimation of exposure to vibration.

The vibration emission value during actual use of the tool can differ from the declared vibration level depending on the way in which the air shears are used, for example:

- Condition of the demolition breaker and proper maintenance;
- Type of material and use of the demolition breaker;
- Use of the right accessories and whether they are in good condition;
- Firm grip of the demolition breaker by the user;
- Proper use of the demolition breaker as described in this user manual.

Improper use of the demolition breaker can cause vibration-related ailments.

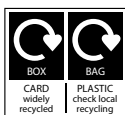
**WARNING!**

Depending on the type of use or conditions of use, the following safety measures must be taken to protect the user:

- Avoid exposure to vibrations as much as possible.
- Only use accessories in perfect working order.
- Use gloves which protect against vibration when using the demolition breaker.
- Follow this user manual on care and maintenance of the demolition breaker.
- Avoid using the demolition breaker at temperatures below 10 °C.
- Plan your work steps so as not to use strongly vibrating devices over several consecutive days.

# Disposal

## Disposing of the packaging



Dispose of the packaging separated into single type materials. Dispose of paperboard and cardboard with wastepaper and plastics with recyclable waste.

## Disposing of the demolition breaker

- Dispose of the demolition breaker in accordance with the regulations in your country.



### **Old devices must not be disposed of with household waste!**

This symbol indicates that this product may not be disposed of together with domestic waste in compliance with the Directive (2012/19/EU) pertaining to waste electrical and electronic equipment (WEEE). This product must be handed in at a collection point intended for the purpose. This can occur, for example, by handing it in at an authorised collecting point for the recycling of waste electrical and electronic equipment. Improper handling of waste equipment may have negative consequences for the environment and human health due to potentially hazardous substances that are often contained in electrical and electronic equipment. By properly disposing of this product, you are also contributing to the effective use of natural resources. You can obtain information on collection points for waste equipment from your local authority, public waste disposal authority, an authorised body for the disposal of waste electrical and electronic equipment or a waste disposal company.

# Declaration of conformity

EC Declaration of Conformity

We,

MEROTEC GmbH  
D-47877 Willich, Hanns-Martin-Schleyer Str. 18a, Germany

herewith declare that our product

Demolition Breaker  
Model No. Z1G-DS-65D

is in conformity with the following directives:

MD 2006/42/EG  
EMC directive 2014/30/EU  
RoHS 2011/65/EU<sup>\*)</sup>

Applied harmonized standards:

EN 60745-1:2009 + A11:2010  
EN 60745-2-6:2010  
EN 62233:2008  
EN 61000-3-2:2014  
EN 61000-3-3:2013  
EN 55014-1:2006+A1:2009+A2:2011  
EN 55014-2:1997+A1:2001+A2:2008

Person authorised to compile the technical file:  
Dirk Wohlrab  
MEROTEC GmbH

Date: 10.04.2017  
Legally valid signature:



Ronald Menken  
General Manager MEROTEC GmbH



This declaration of conformity is issued under the sole responsibility of the manufacturer.

<sup>\*)</sup> The object of the declaration described above satisfies the provisions of directive 2011/65/EU of the European Parliament and the Council of 8 June 2011 on limiting the use of certain harmful substances in electrical and electronic appliances.



Great care has gone into the manufacture of this product and it should therefore provide you with years of good service when used properly. In the event of product failure within its intended use over the course of the first 3 years after date of purchase, we will remedy the problem as quickly as possible once it has been brought to our attention. In the unlikely event of such an occurrence, or if you require any information about the product, please contact us via our helpline support services, details of which are to be found both in this manual and on the product itself.



**PRODUCED IN CHINA FOR:**

ALDI STORES LTD. PO BOX 26, ATHERSTONE  
WARWICKSHIRE, CV9 2SH.

ALDI STORES (IRELAND) LTD.  
PO BOX 726, NAAS, CO. KILDARE.  
Visit us at [www.aldi.com](http://www.aldi.com)

**AFTER SALES SUPPORT**

94972



**GB 01904727501**

**IRE 019022605**



**support@coreservice.co.uk**

MODEL:  
Z1G-DS-65D

10/2017

**3**  
**YEAR**  
**WARRANTY**