



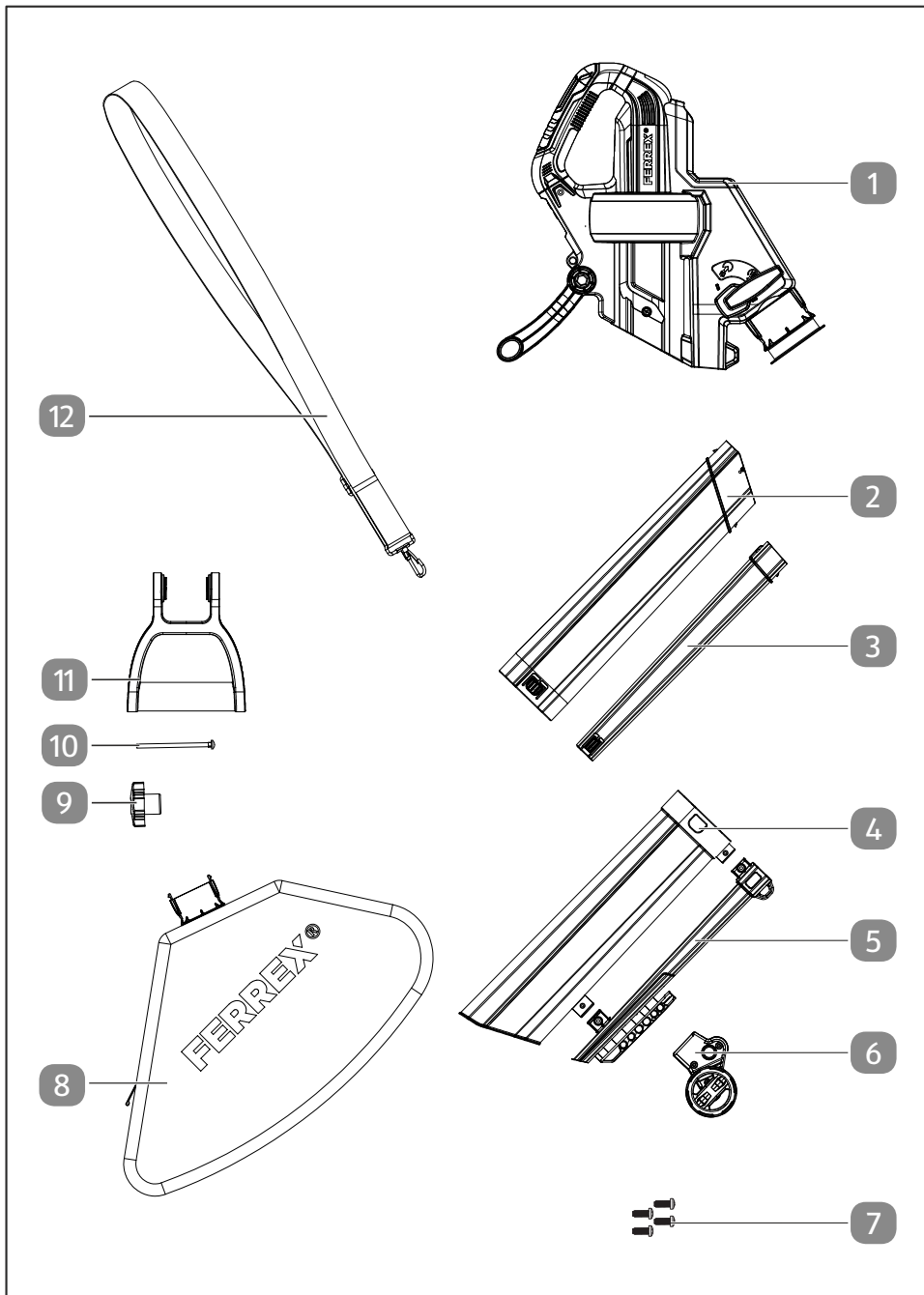
# User Manual

**FERREX®**

# CORDLESS LEAF BLOWER



Original User Manual



## Package contents

- 1 Motor housing
- 2 Top vacuum tube
- 3 Top blow tube
- 4 Bottom vacuum tube
- 5 Bottom blow tube
- 6 Guide wheels
- 7 Screw (x 4)
- 8 Collecting bag
- 9 Star grip nut
- 10 Screw for extra handle
- 11 Extra handle
- 12 Shoulder strap

### Tools required (not supplied)

- 13 PH1 Phillips screwdriver



# Table of content

<b>Overview</b> .....	<b>2</b>
<b>Package contents</b> .....	<b>3</b>
<b>General information</b> .....	<b>5</b>
Reading and storing the user manual.....	5
Proper use.....	5
<b>Explanation of symbols</b> .....	<b>6</b>
<b>Safety</b> .....	<b>8</b>
<b>Before first use</b> .....	<b>16</b>
Check the device and scope of delivery.....	16
<b>Assembly instruction</b> .....	<b>17</b>
Attaching the extra handle.....	17
Attaching the guide wheels.....	17
Attaching the blow and vacuum tubes.....	18
Attaching the collecting bag.....	19
Attaching the shoulder strap.....	20
<b>Operation</b> .....	<b>20</b>
Adjusting the extra handle.....	20
Setting the operating mode.....	20
Inserting/exchanging the battery.....	21
Switching the device on and off/setting the speed.....	22
Removing the collecting bag.....	23
Emptying the collection bag.....	23
<b>Use</b> .....	<b>23</b>
Using the shoulder strap.....	23
Assuming the work position.....	24
Vacuuming/blowing leaves.....	24
<b>Cleaning and maintenance</b> .....	<b>24</b>
<b>Testing</b> .....	<b>25</b>
<b>Storage</b> .....	<b>25</b>
<b>Transport</b> .....	<b>25</b>
<b>Spare parts</b> .....	<b>25</b>
<b>Troubleshooting</b> .....	<b>26</b>
<b>Technical data</b> .....	<b>26</b>
<b>Declaration of conformity</b> .....	<b>29</b>
<b>Disposal</b> .....	<b>30</b>

## General information

### Reading and storing the user manual



This user manual is part of the cordless leaf blower (hereinafter also referred to as "device"). It contains important information on how to set up and use the device.

Before using the device, read the operating manual carefully, in particular the safety instructions. Failure to follow this operating manual may lead to severe injuries or product damage.

This user manual is based on the standards and regulations that are valid within the European Union. Outside the EU, please also note the country-specific directives and laws.

Keep this operating manual for future reference. If you pass this device on to a third party, you must also supply this operating manual.

This manual is also available in PDF format from our after sales support.

### Proper use

The device is exclusively intended for private users in the hobby and DIY sector for the following purposes:

- In vacuuming mode, for picking up dry leaves or general dry, light garden waste
- In blow mode, for piling up leaves or general garden waste

This device is intended for private use only and is not suitable for commercial use. Use the device only as described in this operating manual. Any other use is improper and may lead to product damage or even personal injury. This device is not a toy.

The manufacturer or retailer assume no liability for damage caused by improper or incorrect use.

### Residual risks

Despite proper use, hidden residual risks cannot be completely excluded.

Depending on the type of device, the following risks may occur:

- Lung damage if not wearing a suitable dust mask;
- Hearing damage if not wearing suitable hearing protection;
- Health risks which may result from vibrations on the arm and hand if you use the device for a long time or if it is not properly used or maintained.

## Explanation of symbols

The following symbols and signal words are used in this user manual, on the device or on the packaging.



**WARNING!** Please read the instructions carefully before starting the machine.



This symbol provides you with useful additional information on handling and use.



Declaration of conformity (see chapter “Declaration of conformity”): Products marked with this symbol meet all the applicable Community regulations of the European Economic Area.



Wear goggles.



Wear a dust mask.



Wear hearing protection.



Wear safety shoes.



Caution! Risk of injury due to flying scraps! Keep a safe distance when operating the device!



Caution! Rotating parts!



WARNING-Disconnect battery before maintenance!



Do not point the blower at persons.



Do not use the device in the rain.



The symbol shows the maximum sound power level  $L_{WA}$ .



DC voltage

## Safety

The following signal words are used in this user manual.

 **WARNING!**

This signal symbol/word denotes a hazard with an average risk level that could lead to death or severe injury if it is not avoided.

 **CAUTION!**

This signal symbol/word denotes a hazard with a low risk level that could lead to mild or moderate injury if it is not avoided.

**NOTE!**

This signal word provides a warning about potential material damage.

### General safety notes for power tools

 **WARNING!**

**Read all safety notes, instructions, illustrations and technical data provided with this power tool.** Failure to follow the instructions below may result in electric shock, fire and/or serious injury.

**Keep all safety notes and instructions for future reference.**

The term "power tool" used in the safety notes refers to both mains-operated power tools (with power cord) and battery-powered power tools (without power cord).

### Workplace safety

- **Keep your work area tidy and well lit.** *Clutter or unlit work areas can lead to accidents.*
- **Do not operate power tools in explosive atmospheres, such as in the presence of flammable liquids, gases or**

---

**dust.** *Power tools create sparks which may ignite the dust or fumes.*

- **Keep children and bystanders away while operating a power tool.** *Distractions can cause you to lose control.*

### Electrical safety

- **Avoid body contact with earthed or grounded surfaces, such as pipes, radiators, ranges and refrigerators.** *There is an increased risk of electric shock if your body is earthed or grounded.*
- **Do not expose power tools to rain or wet conditions.** *Water entering a power tool will increase the risk of electric shock.*

### Personal safety

- **Stay alert, watch what you are doing and use common sense when operating a power tool. Do not use a power tool while you are tired or under the influence of drugs, alcohol or medication.** *A moment of inattention while operating power tools may result in serious personal injury.*
- **Use personal protective equipment. Always wear eye protection.** *Protective equipment such as a dust mask, non-skid safety shoes, hard hat or hearing protection used for appropriate conditions will reduce personal injuries.*
- **Prevent unintentional starting. Ensure the switch is in the off-position before connecting to power source and/or battery pack, picking up or carrying the tool.** *Carrying power tools with your finger on the switch or energising power tools that have the switch on invites accidents.*
- **Remove any adjusting key or wrench before turning the power tool on.** *A wrench or a key left attached to a rotating part of the power tool may result in personal injury.*

- **Do not overreach. Keep proper footing and balance at all times.** *This enables better control of the power tool in unexpected situations.*
- **Dress properly. Do not wear loose clothing or jewellery. Keep your hair and clothing away from moving parts.** *Loose clothes, jewellery or long hair can be caught in moving parts.*
- **If devices are provided for the connection of dust extraction and collection facilities, ensure these are connected and properly used.** *Use of dust collection can reduce dust-related hazards.*
- **Do not let familiarity gained from frequent use of tools allow you to become complacent and ignore tool safety principles.** *A careless action can cause severe injury within a fraction of a second.*

### Using and handling the power tool

- **Do not overload the power tool. Use the appropriate power tool for your work.** *The right power tool allows you to work better and safer in the specified power range.*
- **Do not use any power tool that has a defective switch.** *Power tools that can no longer be switched on or off are dangerous and must be repaired.*
- **Disconnect the plug from the socket and/or remove any removable batteries before making adjustments to the device, changing any insert tool parts, or putting the power tool away.** *This precaution helps prevent unintentional starting of the power tool.*
- **Keep power tools out of the reach of children when not in use. Whoever is not familiar with the power tool or who has not read these instructions should not be allowed to**

---

**use it.** *Power tools are dangerous if used by inexperienced persons.*

- **Power tools and insert tools must be subject to careful maintenance.** Check whether moving parts function properly without jamming, and whether parts are broken or damaged to such an extent that they impair the functions of the power tool. Have damaged parts repaired before using the power tool. *Many accidents happen due to poorly maintained power tools.*
- **Use power tools, insert tools, insert tool parts, etc. according to these instructions.** While doing so, take into account the working conditions and the activity to be performed. *The use of power tools for applications other than those intended can lead to dangerous situations.*
- **Keep handles and grip surfaces dry, clean and free of oil and grease.** *Slippery handles and grip surfaces hinder safe operation and control of the power tool in unforeseen situations.*

### **Using and handling the cordless tool**

- **Only charge the batteries using chargers recommended by the manufacturer.** *Chargers suitable for a particular type of battery may present a fire hazard if used with other batteries.*
- **Only use purposely provided batteries in the power tools.** *The use of other batteries may lead to injuries and present a fire hazard.*
- **Keep unused batteries away from paper clips, coins, keys, nails, screws, or other small metal objects that could short**

**the contacts.** *A short circuit between the battery contacts can cause burns or fire.*

- **If used incorrectly, fluid may leak from the battery. Avoid touching it. In case of accidental contact, rinse with water. If the fluid gets into your eyes, seek additional medical attention.** *Leaking battery fluid may cause skin irritation or burns.*
- **Do not use a damaged or modified battery.** *Damaged or modified batteries may behave unpredictably and cause fire, explosion or injury.*
- **Do not expose batteries to fire or excessive temperatures.** *Fire or temperatures above 130 °C may cause an explosion.*
- **Follow all charging instructions and never charge the battery or cordless tool outside the temperature range specified in the operating manual.** *Incorrect charging or charging outside the permitted temperature range can destroy the battery and aggravate the fire hazard.*

## Service

- **Have your power tool serviced by a qualified repair person using only identical replacement parts.** *This will ensure that the safety of the power tool is maintained.*
- **Never service damaged battery packs.** *Service of battery packs should only be performed by the manufacturer or authorized service providers.*

## Additional safety notes for chargers



### Risk of injury!

Faulty operation due to improper handling may cause injuries. This poses a risk to children and persons with reduced physical,

---

sensory or mental abilities (such as partially disabled or older persons with restricted physical and mental abilities) or a lack of experience and knowledge (such as older children).

- Children must not play with the device or the connection cable.
- Do not let children carry out cleaning or user maintenance.
- Children must not operate the device.
- Do not leave the device unattended when in use.

### **Additional safety notes for handheld cordless leaf vacuums with blow function**

#### **Instructions**

- Read the instructions carefully. Familiarise yourself with the controls and the proper handling of the device.
- Never allow children or persons with reduced physical, sensory or mental abilities or lack of experience and knowledge to use the device.
- Please note that the operator or user is responsible for accidents or risks to other persons or their property.

#### **Preparation**

- Use ear protectors and protective goggles. Wear these the whole time while using the device.
- Always wear sturdy shoes and long trousers when operating the device. Do not use the device barefoot or with open sandals. Avoid wearing loose-fitting clothing or clothing with dangling attachments or ties.
- Do not wear any loose-fitting clothing or jewellery that could get sucked into the suction opening. Keep long hair away from the suction opening.
- Operate the device in a recommended position and only on a solid and level surface.

- Do not use the device on paved or gravel surfaces; debris flung out of the device can cause injuries.
- Before using the device, always perform a visual inspection to ensure that the shredder, the pins of the shredder and other attachments are secured, that the housing is undamaged and that the safety devices and screens are in place. Replace worn or damaged components to maintain equilibrium. Replace damaged or illegible labels.
- Never operate the device while persons, especially children, or pets are in the vicinity.

## **Operation**

- Prior to starting the device, make sure that the inlet is empty.
- Keep your face and body away from the filling hole.
- Make sure that hands, other body parts or clothing are not located in the inlet, the discharge chute or close to moving parts.
- Make sure to keep your balance and ensure firm footing, especially on inclines. Avoid uncomfortable working positions.
- Walk, don't run.
- Do not stand in the ejection zone during operation of the device.
- When vacuuming up material with the device, take extreme care to avoid sucking up metal objects, stones, bottles, tins or other foreign objects.
- Switch the device off and wait until the device has stopped if the cutting mechanism hits a foreign object or if the device

---

starts vibrating heavily. Remove the battery and carry out the following steps before restarting and operating the device:

- Check the device for damage
  - Replace or repair damaged parts
  - Check for loose parts and tighten these
- Do not let processed material collect in the ejection zone as this prevents proper ejection and might cause material that has already been processed to be drawn in again via the filling hole.
  - If the device is clogged, switch it off and remove the battery before removing any debris.
  - Do not operate the device without safety equipment, such as the attached collecting bag.
  - Keep waste and collected debris away from the motor to prevent damage or a possible fire.
  - Do not transport the device while the motor is running.
  - Switch the device off and remove the battery. Make sure that all moving parts come to a complete standstill:
    - Every time you leave the device unattended;
    - Before removing any blockages or clearing clogged ducts;
    - Before checking, cleaning or carrying out any other work on the device.
  - Do not operate the device during bad weather, especially during thunderstorms.

### **Maintenance and storage**

- When stopping the device for maintenance, inspection, storage or changing accessories, switch off the motor, remove the battery and make sure that all moving parts have come to

a stop. Let the device cool down prior to inspection, adjustments, etc.

- Store the device in a dry place and out of the reach of children.
- Replace worn or damaged parts for safety reasons. Only use original spare parts and accessories.
- Switch the device off and remove the battery before attaching or removing the collecting bag.

## **Before first use**

### **Check the device and scope of delivery**

#### **NOTE!**

#### **Risk of damage!**

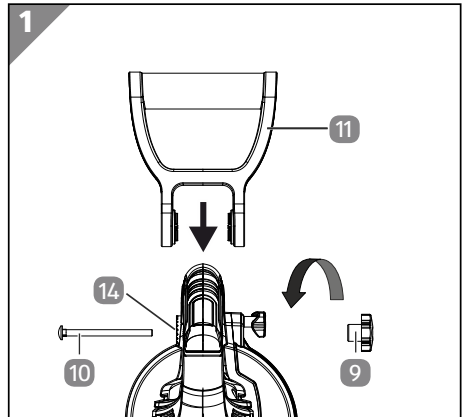
If opening the packaging with a sharp knife or other pointed objects, careless handling can damage the device.

- Therefore, be very careful when opening.
1. With both hands, lift the device out of the packaging.
  2. Check that the delivery is complete (see chapter “Package contents”).
  3. Inspect the device and individual parts for damage. Do not operate a damaged device; instead, contact the manufacturer via the service centre listed on the warranty card.

# Assembly instruction

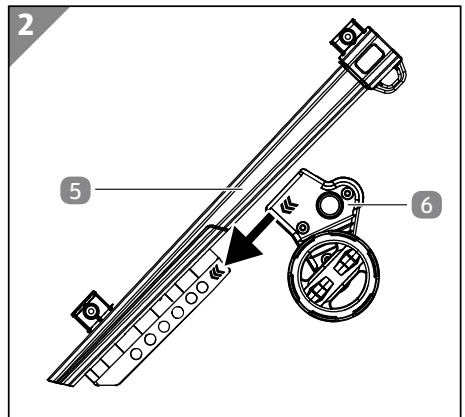
## Attaching the extra handle

1. Attach the extra handle **11** to the mount for the extra handle **14** with the bulge pointing down.  
The teeth on the mount and on the extra handle must engage.
2. Push the screw for the extra handle **10** through the hole in the mount and in the extra handle.
3. Screw the star grip nut **9** clockwise onto the thread of the screw and tighten it.

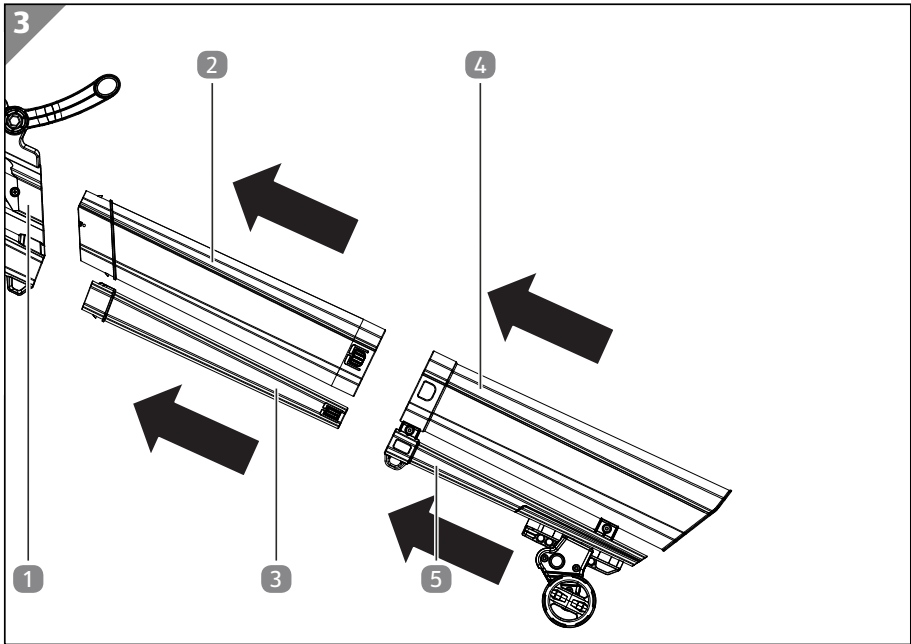


## Attaching the guide wheels

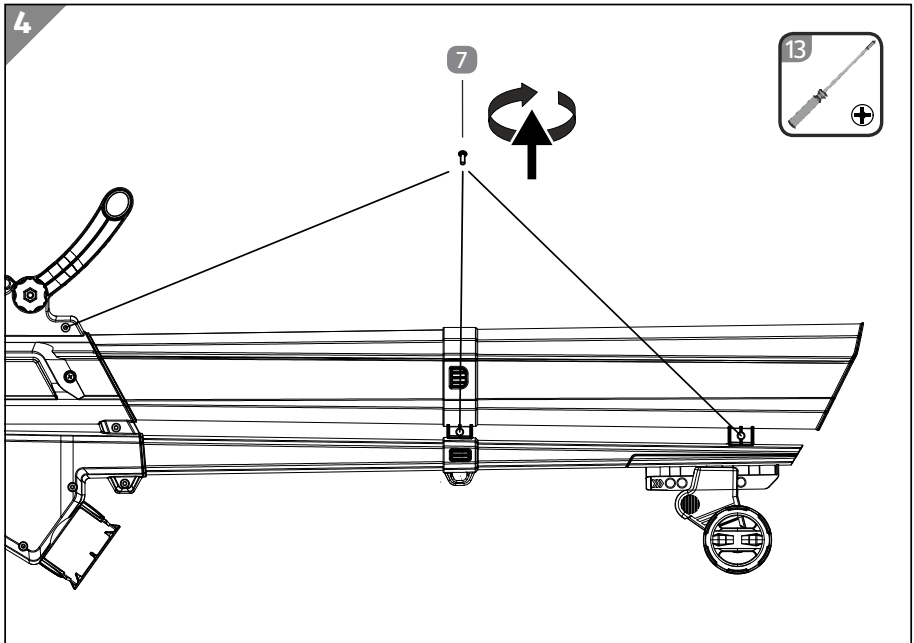
- Press and hold the unlock button and insert the guide wheels **6** into the guide rail towards the mark at the bottom blow tube **5**.
- Release the unlock button in the desired position and make sure that the guide wheels **6** have engaged at the predefined positions.



## Attaching the blow and vacuum tubes



1. Push the top vacuum tube **2** into the large opening on the motor housing **1** until it audibly snaps into place.
2. Push the bottom vacuum tube **4** onto the open end of the top vacuum tube until it audibly snaps into place.
3. Push the top blow tube **3** into the small opening on the motor housing until it audibly snaps into place.
4. Push the bottom blow tube **5** onto the open end of the top blow tube until it audibly snaps into place.



- Using a Philips screwdriver PH1 **13**, screw the screws **7** into the illustrated positions in the clockwise direction.

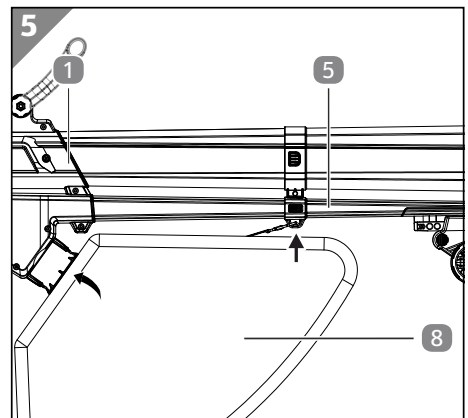
Screw in an additional screw on the opposite side of the motor housing.

*The blow/vacuum tubes have been installed.*

### Attaching the collecting bag

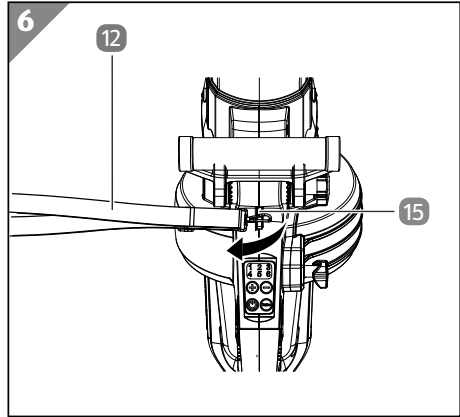
- Push the connecting piece of the collecting bag **8** into the bottom opening of the motor housing **1** until it audibly snaps into place.
- Attach the snap hook of the collecting bag **8** to the eyelet on the bottom blow tube **5**.

*The collecting bag is attached.*



## Attaching the shoulder strap

- Connect the clip of the shoulder strap **12** with the attachment point for the shoulder strap **15**.



## Operation

**⚠ CAUTION!**

### Risk of injury!

A damaged device or damaged accessories can lead to injuries.

- Check the device and the accessories (see section "Testing").

This chapter describes how to operate the device. The following instructions for use serve for your own safety and for successful, safe use of the device.

### Adjusting the extra handle

Adjust the extra handle **11** to obtain the optimum working position. Always make sure that the teeth on the extra handle and on the mount **14** engage.

1. Undo the star grip nut **9**.
2. Set the desired position of the extra handle.
3. Tighten the star grip nut again.

### Setting the operating mode



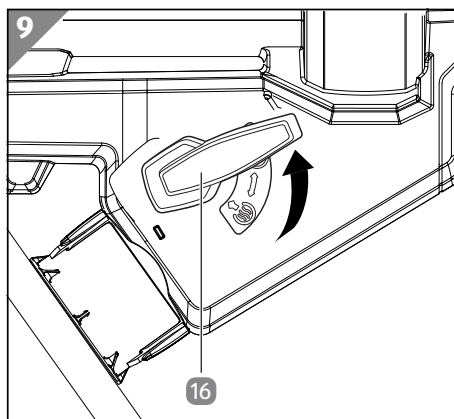
Blow function: use this function to blow away dirt outdoors.



Vacuum function: use this function to vacuum up dirt outdoors.

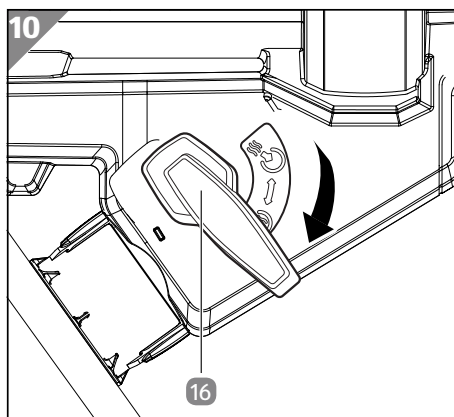
- Set the blow/vacuum selection lever **16** to vacuum.

*The vacuum function is active.*



- Set the blow/vacuum selection lever **16** to blow.

*The blow function is active.*



## Inserting/exchanging the battery

Read the battery's user manual before inserting the battery.

**⚠ CAUTION!**

## Fire and explosion hazard through reverse polarity or short circuiting

- Only use suitable batteries (see chapter "Technical Data") approved by the manufacturer.
- Only use undamaged batteries.

## Removing the battery

1. Press and hold the battery release button.
2. Pull the battery out of the battery holder **19**.

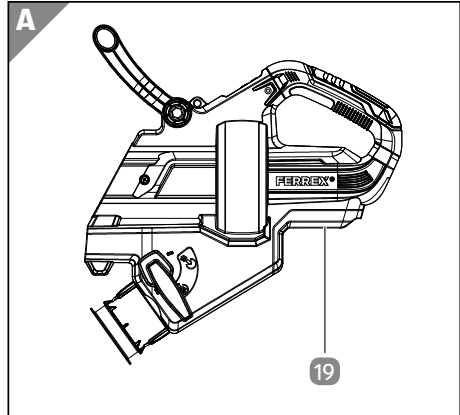
If the battery does not come off easily, you have not applied enough pressure to the battery release button. Press the battery release button harder.

## Inserting the battery

1. To insert the battery, slide it into the battery holder **19**.

*You will hear a "click" when the battery lock engages.*

2. Check the battery for tight fit.



## Switching the device on and off/setting the speed

1. Press the ON/OFF switch **23**.  
*The device is switched on.*
2. Press the **21** and **24** buttons to set the device's speed.

- Press the **21** button to reduce the speed.
- Press the **24** button to increase the speed.

*The current speed is shown on the **20** display.*

3. Press the **22** button to set the maximum speed.

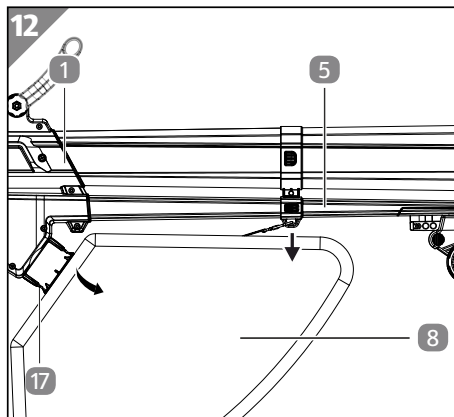
After approx. 15 seconds, the device automatically switches back to the initial speed.

4. Press the ON/OFF switch **23**.  
*The device is switched off.*



## Removing the collecting bag

- Release the snap hook of the collecting bag from the eyelet on the bottom blow tube **5**.
- Press in the release **17** on both sides of the connecting piece and pull the collecting bag **8** off the motor housing **1**.



## Emptying the collection bag

**⚠ WARNING!**

With normal use, the collection bag can wear out over time. A worn collection bag can leak small objects and hit and injure the operator or bystanders.

- Check the collection bag regularly and replace it if it is damaged.
1. Open the zip of the collecting bag **8**.
  2. Empty out the contents of the collecting bag.
  3. Turn the collecting bag inside out and thoroughly beat it out.

## Use

### Using the shoulder strap

When using the leaf vacuum in blow mode and in vacuum mode, always wear the shoulder strap **12** so that you can work without becoming fatigued.

The shoulder strap is fitted with a snap lock so that it can be released quickly in the event of an accident.

## Assuming the work position

1. Put on the carrying strap **12** so that it lies across your shoulder and crosses your chest and back.

Adjust the length of the carrying strap so that the bottom vacuum tube **4** can be moved close to the ground.

2. Hold the handle of the motor housing **1** with one hand and the extra handle **11** with the other hand.

## Vacuuming/blowing leaves

1. Set the desired operating mode (see section entitled "Setting the operating mode").
2. Switch the device on (see section "Turning the device on and off/adjusting the speed").

Vacuuming: hold the leaf vacuum in front of you and push it over the ground with the guide rollers.

Blowing: walk slowly and swing the blow tube left and right with controlled motions, approx. 10 cm above the ground.

3. Switch the device off and remove the battery.

## Cleaning and maintenance

### NOTE!

### Risk of damage!

Improper handling can damage the device.

- Do not use any harsh cleaning products, brushes with metal or nylon bristles, or sharp or metallic cleaning materials such as knives, hard scrapers or similar. They may damage the surfaces.

Clean the device immediately after each use as otherwise mud mixed with foliage residue dries and it may potentially no longer be possible to remove it without having to disassemble the motor housing.

- Remove the battery from the battery holder **19** (see section entitled "Inserting/exchanging the battery").
- Clean the motor housing, the tubes and the vents at regular intervals with a soft brush or cloth.
- Clean the collecting bag in soapy water and by hand once a year and let it dry in the open.

## Testing

Regularly inspect the device and its accessories to ensure that they are in fault-free condition and

- the controls for damage.
- that the accessories are in perfect condition.
- that the vents are open and clean.

Do not operate a damaged device or accessory. Have the damaged device or accessory checked and repaired by an authorised service centre.

## Storage

### NOTE!

### Risk of damage!

Improper storage of the device can result in damage.

- Allow the device to completely cool down.
  - Place the device so that it can't fall into water.
  - Store the device in a clean, dry, frost-protected place out of the reach of children.
1. Thoroughly clean the device (see "Cleaning").
  2. Always store device parts and accessories together with the device.
  3. If possible, pack the device in the original packaging.

## Transport

Transport the device and its accessories in the original packaging and protect them from blows and vibrations.

### Load securing for transport

- When transporting the device in vehicles, the device must be secured in accordance with the applicable regulations (load securing).

## Spare parts

Contact after sales support if you need any of the spare parts listed below.

Name	Item number
Collecting bag	AUBB011009
Extra handle	AUBB011003

## Spare parts

Guide wheel set	AUBB011006
Shoulder strap	AUBB011002

## Troubleshooting

Problem	Potential cause	Remedy
Motor not running.	Battery flat	Charge the battery.
	Battery not inserted.	Insert the battery.
	Motor's overload protection triggered because the motor is overloaded or overheated.	Allow the device to cool down for 15–20 minutes.

If the problem persists, contact the customer service listed on the last page.

## Technical data

Model number:	GDLB40
Item number:	837544 / 568979
Supply voltage:	40 V ===
Idle speed:	8000-13000 rpm
Vacuuming capacity:	max. 570 m <sup>3</sup> /h
Blow speed:	max. 210 km/h
Mulching ratio:	15:1
Capacity of collecting bag:	45 l
Machine weight:	approx. 2.75 kg

## Noise measurement values

Sound pressure level $L_{pA}$ :	80 dB(A)
Correction value $K_{pA}$ :	3 dB(A)
Sound power level $L_{wA}$ :	95 dB(A)
Correction value $K_{wA}$ :	3 dB(A)
Guaranteed sound power level $L_{wA}$ :	103 dB(A)

## Vibration measurement values

Blowing/vacuuming ( $a_h$ ):	<2.5 m/s <sup>2</sup>
Correction value K:	1.5 m/s <sup>2</sup>

**Noise/vibration information****Health hazard!**

Working without hearing protection or protective clothing can damage your health.

- Wear hearing protection and appropriate protective clothing when working.

The specified total vibration value and the specified noise emission values have been measured according to a standardized test method (EN 60335-1:2012+A11+ A13 +A1+A14+ A2+A15, EN 50636-2-100:2014) and can be used to compare one power tool with another. They can also be used for a preliminary assessment of exposure.

**Warning!**

The vibration and noise emissions can deviate from the stated values during actual use of the power tool. This depends on the way the power tool is actually used and especially on the type of workpiece you are working on.

It is necessary to establish safety measures that protect the operator based on an estimate of the exposure during actual conditions of use (taking into account all parts of the operating cycle, such as periods when the power tool is switched off and periods when it is switched on but running without load).

Try to keep the exposure to vibrations and noise as low as possible. Examples of measures to reduce the exposure:

- wearing vibration-damping gloves while using the tool;
- limiting the working time;
- using accessories in good condition;
- regular maintenance and cleaning of the device;
- turning the device off while not in use;
- preventing overload of the device.

**Battery and charger information (not included in the scope of delivery)**

**Only use the device with Active Energy® batteries and chargers that meet the following technical specifications:**

**Suitable for Active Energy®**

**Batteries of the type:** 20/40 V === 90 Wh/ Li-ion

**Models:** XYZ562a

## Technical data

---

**Charging time:** 20 V  $\text{---}(\times 2)$ / 90 Wh = approx. 95 min.

**Chargers of the type:** 21 V  $\text{---}$ / 4.0 A

**Models:** XYZ563a

Please note the technical specifications for the battery and the charger.

## EC Declaration of Conformity

We,

MEROTEC GmbH  
Otto-Brenner-Str. 8, 47877 Willich, Germany

herewith declare under our own, sole responsibility that our product

Cordless leaf blower  
Model No. GDLB40

is in conformity with the following directives:

2006/42/EC Machinery Directive  
2014/30/EU EMC directive  
2000/14/EC Outdoor Noise Directive, amended by 2005/88/EC  
Conformity assessment procedure: 2000/14/EC-Annex V  
Measured noise power level  $L_{wA} = 95 \text{ dB(A)}$  ( $K = 3 \text{ dB(A)}$ )  
Guaranteed noise power level  $L_{wA} = 103 \text{ dB(A)}$   
2011/65/EU\*) RoHS amended by (EU) 2015/863

Applied harmonized standards:

EN 60335-1:2012+A11:2014+A13:2017+A1:2019+A14:2019+A2:2019+A15:2021  
EN 50636-2-100:2014  
EN IEC 55014-1:2021  
EN IEC 55014-2:2021  
EN IEC 63000:2018

Person authorised to compile the technical file:

Dirk Wohlrab  
MEROTEC GmbH  
Otto-Brenner-Str. 8  
D-47877 Willich

Place, date: Willich, 16/05/2024

Legally valid signature:



Roland Menken  
General Manager  
MEROTEC GmbH



This declaration of conformity is issued under the sole responsibility of the manufacturer.

\*) The object of the declaration described above satisfies the provisions of directive 2011/65/EU of the European Parliament and the Council of 8 June 2011 on limiting the use of certain harmful substances in electrical and electronic appliances.

# Disposal

## Disposing of packaging



Dispose of packaging according to type. Sort the paperboard and cardboard as waste paper and the film as recyclable material.

## Dispose of old electrical device

Applicable in the European Union and other European countries with systems for separate collections of recyclable waste.



This symbol indicates that this product may not be disposed of together with domestic waste in compliance with the (2012/19/EU) Regulation pertaining to waste electrical and electronic devices (WEEE). This product must be handed in at a collection point intended for the purpose. This can occur, for example, by handing it in at an authorised collecting point for the recycling of waste electrical and electronic equipment. Owing to potentially hazardous substances that are frequently contained in waste electronic equipment, incorrect handling of waste equipment may have a negative impact on the environment and on the health of human beings. By disposing of this product correctly, you are also contributing towards an efficient use of natural resources. Information on collecting points for waste equipment can be obtained from your local authority, an authorised institution for the disposal of waste electrical and electronic equipment or the waste collection services.

Before disposing of lithium-containing batteries and rechargeable batteries, tape off the terminals to prevent an external short circuit. A short circuit can lead to a fire or explosion.

Batteries with increased pollutant content are also marked with the following symbols: Cd = Cadmium, Hg = Mercury, Pb = Lead, Li = Lithium



Great care has gone into the manufacture of this product and it should therefore provide you with years of good service when used properly. In the event of product failure within its intended use over the course of the first 3 years after date of purchase, we will remedy the problem as quickly as possible once it has been brought to our attention. In the unlikely event of such an occurrence, or if you require any information about the product, please contact us via our helpline support services, details of which are to be found both in this manual and on the product itself.



**PRODUCED IN CHINA FOR:**

ALDI STORES LTD. PO BOX 26, ATHERSTONE  
WARWICKSHIRE, CV9 2SH

---

ALDI STORES (IRELAND) LTD.  
PO BOX 726, NAAS, CO. KILDARE  
Visit us at [www.aldi.com](http://www.aldi.com)

**AFTER SALES SUPPORT**

568979  
837544



GB +44(0) 1904727501 IE +353(0) 19022605



[support@coreservice.co.uk](mailto:support@coreservice.co.uk)

MODEL:  
GDLB40

08/2024

**3**  
**YEAR**  
**WARRANTY**