



User Manual


Great care has gone into the manufacture of this product and it should therefore provide you with years of good service when used properly. In the event of product failure within its intended use over the course of the first 3 years after date of purchase, we will remedy the problem as quickly as possible once it has been brought to our attention. In the unlikely event of such an occurrence, or if you require any information about the product, please contact us via our helpline support services, details of which are to be found both in this manual and on the product itself.




PRODUCED IN CHINA FOR:
ALDI STORES LTD. PO BOX 26, ATHERSTONE
WARWICKSHIRE, CV9 2SH

ALDI STORES (IRELAND) LTD.
PO BOX 726, NAAS, CO. KILDARE
Visit us at www.aldi.com

AFTER SALES SUPPORT 846655 / 629481 (SAP)

 **GB** +44(0) 1904727501 **IE** +353(0) 19022605

 support@coreservice.co.uk

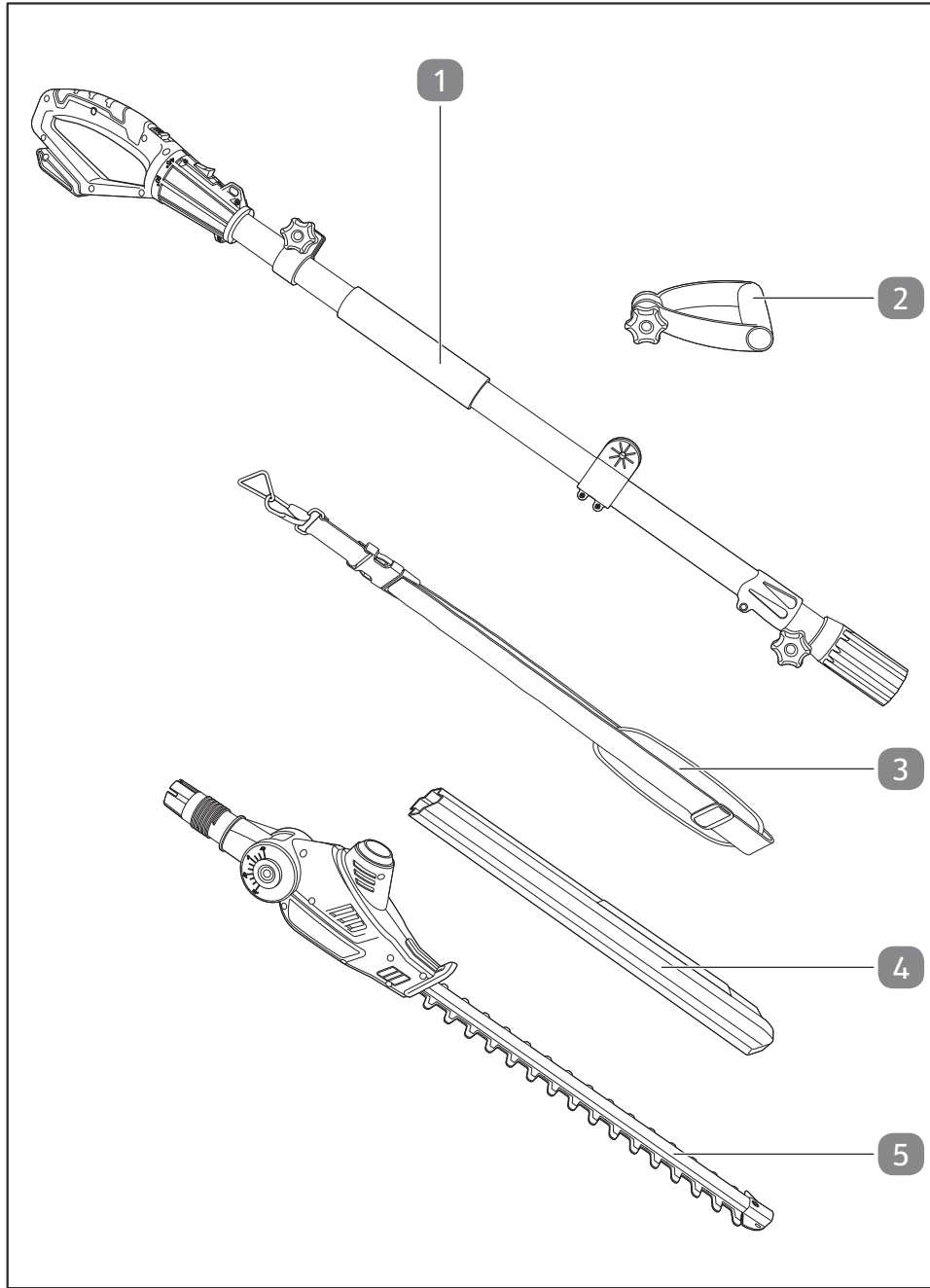
MODEL: GTHT20A 03/2025

3
YEAR
WARRANTY

FERREX® CORDLESS TELESCOPIC HEDGE TRIMMER



Original User Manual



Package contents/device parts

- 1 Telescopic hedge trimmer
- 2 Extra handle
- 3 Carrying strap
- 4 Blade guard
- 5 Hedge trimmer head

Table of content

Overview	2
Package contents/device parts	3
General information	5
Reading and storing the user manual.....	5
Proper use.....	5
Explanation of symbols	6
Safety	7
Explanation of instructions.....	7
General safety notes for power tools.....	8
Residual risks.....	15
Before first use	15
Check the device and scope of delivery.....	15
Cleaning the device and accessories.....	16
Controls.....	17
Assembly instruction	18
Attaching and adjusting the extra handle.....	18
Attaching the carrying strap.....	19
Operation	19
Using the carrying strap.....	19
Adjusting the telescopic tube.....	20
Adjusting the tilt angle.....	20
Turning the handle.....	21
Inserting/replacing the battery.....	21
Switching on/switching off the device.....	22
Working with the device.....	22
Removing blockages.....	24
Inspection	24
Maintenance	25
Cleaning	25
Storage	26
Transport	26
Troubleshooting	26
Technical data	27
Declaration of conformity	29
Disposal	30
Disposing of packaging.....	30
Dispose of old electrical device.....	30

General information

Reading and storing the user manual



This user manual is part of the cordless telescopic hedge trimmer (hereinafter also called "device"). It contains important information on how to set up and use the device.

Before using the device, read the operating manual carefully, in particular the safety instructions. Failure to follow this operating manual may lead to severe injuries or product damage.

This user manual is based on the standards and regulations that are valid within the European Union. Outside the EU, please also note the country-specific directives and laws.

Keep this operating manual for future reference. If you pass this device on to a third party, you must also supply this operating manual.

This user manual is also available in PDF format from our after sales support.

Proper use

The device must only be used to cut hedges and bushes with branches with a maximum diameter of 15 mm in private homes and gardens.

Please note that according to the nature conservation law, hedges, "living" fences, bushes and other shrubs must not be trimmed or cut down in the period from March 1st to September 30th. However, gentle shaping or cutting to remove new plant growth is permitted at any time.

This device is intended for private use only and is not suitable for commercial use. Use the device only as described in this operating manual. Any other use is improper and may lead to product damage or even personal injury. This device is not a toy.

The manufacturer or retailer assume no liability for damage caused by improper or incorrect use.

Explanation of symbols

Explanation of symbols

The following symbols and signal words are used in this user manual, on the device or on the packaging.



Read the user manual.



General warning sign.



This symbol provides you with useful additional information on handling and use.



Declaration of conformity (see chapter “Declaration of conformity”):
Products marked with this symbol meet all the applicable Community regulations of the European Economic Area.



The “GS” (Tested Safety) certification mark confirms the device’s compliance with the German Product Safety Act (ProdSG for short).



Wear protective goggles.



Wear hearing protection.



Safety helmet



Wear safety shoes.



Do not use the device in the rain.



Warning! Cutting injuries.



Disconnect the battery from the device prior to any maintenance or cleaning.

The user manual contains important maintenance and repair information.



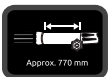
Risk of electric shock! Keep a distance of at least 10 m from live cables.



Caution! Risk of injury due to flying scraps! Keep a safe distance when operating the device!



The symbol shows the maximum sound power level L_{WA} .



Length of the telescopic tube

Safety

Explanation of instructions

The following signal words are used in this user manual.



This signal symbol/word denotes a hazard with an average risk level that could lead to death or severe injury if it is not avoided.

 **CAUTION!**

This signal symbol/word denotes a hazard with a low risk level that could lead to mild or moderate injury if it is not avoided.

NOTE!

This signal word provides a warning about potential material damage.

General safety notes for power tools

 **WARNING!**

Read all safety notes, instructions, illustrations and technical data provided with this power tool. Failure to follow the instructions below may result in electric shock, fire and/or serious injury.

Keep all safety notes and instructions for future reference.

The term "power tool" used in the safety notes refers to both mains-operated power tools (with power cord) and battery-powered power tools (without power cord).

Workplace safety

- **Keep your work area tidy and well lit.** *Clutter or unlit work areas can lead to accidents.*
- **Do not operate power tools in explosive atmospheres, such as in the presence of flammable liquids, gases or dust.** *Power tools create sparks which may ignite the dust or fumes.*
- **Keep children and bystanders away while operating a power tool.** *Distractions can cause you to lose control.*

Electrical safety

- **Avoid body contact with earthed or grounded surfaces, such as pipes, radiators, ranges and refrigerators.** *There is*

an increased risk of electric shock if your body is earthed or grounded.

- **Do not expose power tools to rain or wet conditions.** *Water entering a power tool will increase the risk of electric shock.*

Personal safety

- **Stay alert, watch what you are doing and use common sense when operating a power tool. Do not use a power tool while you are tired or under the influence of drugs, alcohol or medication.** *A moment of inattention while operating power tools may result in serious personal injury.*
- **Use personal protective equipment. Always wear eye protection.** *Protective equipment such as a dust mask, non-skid safety shoes, hard hat or hearing protection used for appropriate conditions will reduce personal injuries.*
- **Prevent unintentional starting. Ensure the switch is in the off-position before connecting to power source and/or battery pack, picking up or carrying the tool.** *Carrying power tools with your finger on the switch or energising power tools that have the switch on invites accidents.*
- **Do not overreach. Keep proper footing and balance at all times.** *This enables better control of the power tool in unexpected situations.*
- **Dress properly. Do not wear loose clothing or jewellery. Keep your hair and clothing away from moving parts.** *Loose clothes, jewellery or long hair can be caught in moving parts.*
- **Do not let familiarity gained from frequent use of tools allow you to become complacent and ignore tool safety principles.** *A careless action can cause severe injury within a fraction of a second.*

Using and handling the power tool

- **Do not overload the power tool. Use the appropriate power tool for your work.** *The right power tool allows you to work better and safer in the specified power range.*
- **Do not use any power tool that has a defective switch.** *Power tools that can no longer be switched on or off are dangerous and must be repaired.*
- **Disconnect the plug from the socket and/or remove any removable batteries before making adjustments to the device, changing any insert tool parts, or putting the power tool away.** *This precaution helps prevent unintentional starting of the power tool.*
- **Keep power tools out of the reach of children when not in use. Whoever is not familiar with the power tool or who has not read these instructions should not be allowed to use it.** *Power tools are dangerous if used by inexperienced persons.*
- **Power tools and insert tools must be subject to careful maintenance. Check whether moving parts function properly without jamming, and whether parts are broken or damaged to such an extent that they impair the functions of the power tool. Have damaged parts repaired before using the power tool.** *Many accidents happen due to poorly maintained power tools.*
- **Keep cutting tools sharp and clean.** *Carefully maintained cutting tools with sharp blades tend to jam less and are easier to guide.*
- **Use power tools, insert tools, insert tool parts, etc. according to these instructions. While doing so, take into account the working conditions and the activity to be**

performed. *The use of power tools for applications other than those intended can lead to dangerous situations.*

- **Keep handles and grip surfaces dry, clean and free of oil and grease.** *Slippery handles and grip surfaces hinder safe operation and control of the power tool in unforeseen situations.*

Using and handling the cordless tool

- **Only charge the batteries using chargers recommended by the manufacturer.** *Chargers suitable for a particular type of battery may present a fire hazard if used with other batteries.*
- **Only use purposely provided batteries in the power tools.** *The use of other batteries may lead to injuries and present a fire hazard.*
- **Keep unused batteries away from paper clips, coins, keys, nails, screws, or other small metal objects that could short the contacts.** *A short circuit between the battery contacts can cause burns or fire.*
- **If used incorrectly, fluid may leak from the battery. Avoid touching it. In case of accidental contact, rinse with water. If the fluid gets into your eyes, seek additional medical attention.** *Leaking battery fluid may cause skin irritation or burns.*
- **Do not use a damaged or modified battery.** *Damaged or modified batteries may behave unpredictably and cause fire, explosion or injury.*
- **Do not expose batteries to fire or excessive temperatures.** *Fire or temperatures above 130 °C may cause an explosion.*
- **Follow all charging instructions and never charge the battery or cordless tool outside the temperature range**

specified in the operating manual. *Incorrect charging or charging outside the permitted temperature range can destroy the battery and aggravate the fire hazard.*

Service

- **Have your power tool serviced by a qualified repair person using only identical replacement parts.** *This will ensure that the safety of the power tool is maintained.*
- **Never service damaged battery packs.** *Service of battery packs should only be performed by the manufacturer or authorized service providers.*

Safety notes for hedge trimmers

- **Keep all parts of the body away from the blade. Do not remove cut material or hold material to be cut when blades are moving.** Blades continue to move after the switch is turned off. A moment of inattention while operating the hedge trimmer may result in serious personal injury.
- **Carry the hedge trimmer by the handle with the blade stopped and taking care not to operate any power switch.** Proper carrying of the hedge trimmer will decrease the risk of inadvertent starting and resultant personal injury from the blades.
- **When transporting or storing the hedge trimmer, always fit the blade cover.** Proper handling of the hedge trimmer will decrease the risk of personal injury from the blades.
- **When clearing jammed material or servicing the unit, make sure all power switches are off and the battery pack is removed or disconnected.** Unexpected actuation of the hedge trimmer while clearing jammed material or servicing may result in serious personal injury.

- **Hold the hedge trimmer by insulated gripping surfaces only, because the blade may contact hidden wiring.** Blades contacting a "live" wire may make exposed metal parts of the hedge trimmer "live" and could give the operator an electric shock.
- **Keep all power cords and cables away from cutting area.** Power cords or cables may be hidden in hedges or bushes and can be accidentally cut by the blade.
- **Do not use the hedge trimmer in bad weather conditions, especially when there is a risk of lightning.** This decreases the risk of being struck by lightning.
- **Before starting work, search the hedge for hidden objects, e.g. wire, etc.** This will prevent damage to the equipment.
- **Hold the hedge trimmer correctly, e.g. with both hands on the hand grips if it has two of them.** Injuries may occur if you lose control over the device.
- **Wear suitable clothing and work gloves when working with the device. Never touch or pick up the device by the cutting blade.** Injuries may occur from contact with the cutting blade.
- Do not run with the device – just walk.

Additional tips for telescopic hedge trimmers

- **To prevent the risk of an electric shock, never use the hedge trimmer close to power lines..** Contact with a power line or use of the device close to power lines can lead to serious injuries or fatal electric shocks.
- **Always use both hands when operating the hedge trimmer with a large radius.** Hold the hedge trimmer with large radius with both hands to maintain control over the device.

- **Always wear head protection when using the hedge trimmer overhead.** Falling cuttings can cause severe injuries.

 **WARNING!**

Risk of electric shock!

- Keep a distance of at least 10 m from live cables.

 **WARNING!**

Risk of injury for persons with impaired mobility or lack of experience and expertise!

Improper handling of the device can lead to severe injuries or damage to the device.

- Do not leave the device unattended when in use.
- Do not allow others to handle the device until you have read and understood this operating manual or until you have been instructed about its intended use and the associated risks.
- Never let children or persons with impaired physical, sensory or mental abilities, or lack of experience or knowledge, or persons unfamiliar with the device's operating instructions use the device.
- The minimum age of the user might be prescribed by local or national regulations.

 **WARNING!**

Risk of injury!

Improper handling may pose a risk of injury.

- Do not use the device to cut grass, hard twigs and wood or to chop up compostable materials.



Risk of injury!

Improper use of the device can lead to injuries.

- The blade is sharp. Wear protective gloves and be especially careful when working near the blade.
- Do not operate the device when other persons or animals are around.
- Do not operate the device when impaired (e.g.: under the influence of drugs, alcohol, medication or if tired).
- Wear sturdy shoes, long trousers and hearing protection.
- Wait until the blade has stopped moving before removing any blockage or clogging and carrying out any other work on the device.

Residual risks

Despite proper use, hidden residual risks cannot be completely excluded.

Depending on the type of device, the following risks may occur:
Health risks which may result from vibration emissions if the device is used for a long period of time or is not properly used or maintained.

Injuries and material damage, which are caused by the moving blade or breaking tool heads.

Before first use

Check the device and scope of delivery

NOTE!

Risk of damage!

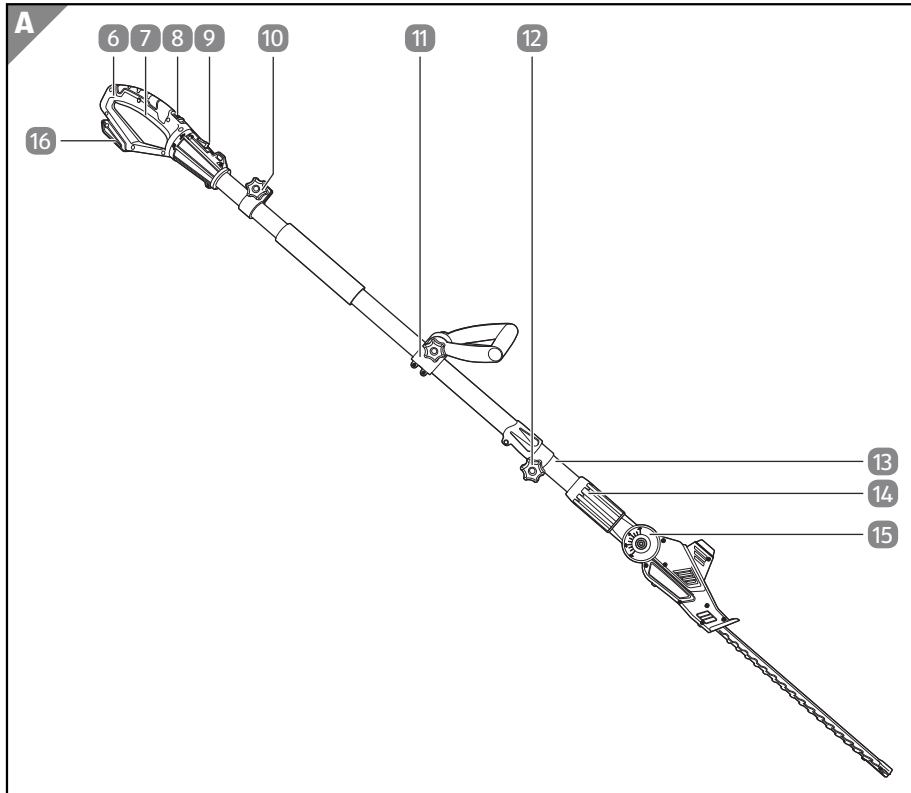
If opening the packaging with a sharp knife or other pointed objects, careless handling can damage the device.

- Therefore, be very careful when opening.
- 1. With both hands, lift the device out of the packaging.
- 2. Check that the delivery is complete (see chapter “Package contents/device parts”).
- 3. Inspect the device and individual parts for damage. Do not operate a damaged device; instead, contact the manufacturer via the service centre listed on the warranty card.

Cleaning the device and accessories

1. Remove the packaging and all protective film.
2. Clean the device and accessories before using them for the first time.

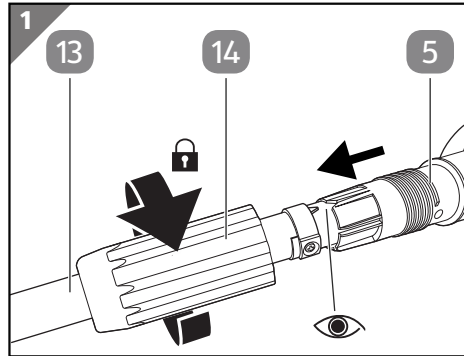
Controls



- | | | | |
|----|--------------------------------------|----|-----------------------|
| 6 | Handle | 12 | Telescopic tube latch |
| 7 | ON/OFF switch | 13 | Telescopic tube |
| 8 | Switch lock | 14 | Screw sleeve |
| 9 | Handle latch | 15 | Tilt angle latch |
| 10 | Adjustable carrying strap attachment | 16 | Battery holder |
| 11 | Mount for extra handle | | |

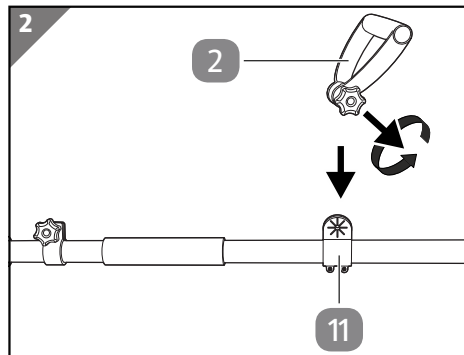
Assembly instruction

1. Put the blade guard **4** onto the hedge trimmer blade **5**.
2. Put the hedge trimmer head **5** into the recess on the telescopic tube **13**.
3. Completely screw the screw sleeve **14** clockwise onto the hedge trimmer thread.
4. Tighten the screw sleeve.



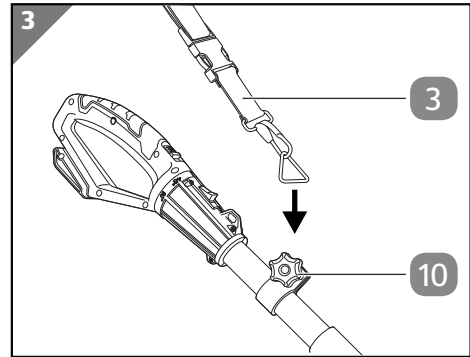
Attaching and adjusting the extra handle

1. Unscrew the clamping screw on the extra handle **2** counter-clockwise.
2. Pull the screw from the extra handle.
3. Attach the extra handle to the extra handle mount **11**.
4. Insert the screw through the hole of the extra handle and the extra handle mount.
5. Loosely screw the clamping screw clockwise onto the thread of the screw.
6. Adjust the extra handle to the desired position.
The teeth on the mount and on the extra handle must engage.
7. Tighten the clamping screw.



Attaching the carrying strap

1. Unscrew the clamping screw of the adjustable carrying strap attachment **10** counter-clockwise.
2. Remove the screw from the adjustable carrying strap attachment.
3. Insert the triangular carrying strap ring **3** into the adjustable carrying strap attachment.
4. Re-insert the screw into the adjustable carrying strap attachment and through the triangular ring.
5. Screw the clamping screw clockwise onto the thread of the screw.
6. Tighten the clamping screw.



Operation

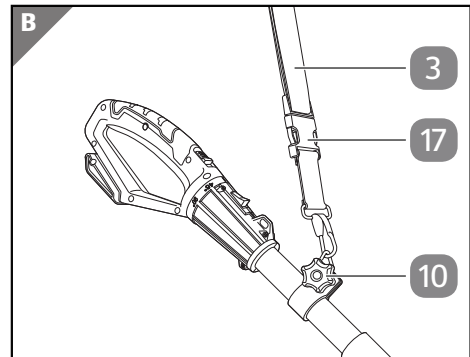
Using the carrying strap

Always wear the carrying strap **3** when using the device to work without getting tired.

Use the carabiner on the carrying strap when removing the carrying strap from or attaching it to the device.

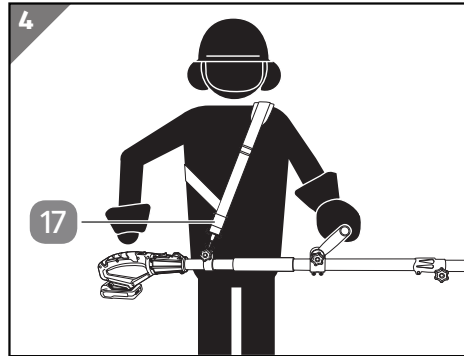
To undo the carrying strap quickly in the case of an accident, the carrying strap is additionally fitted with a quick latch **17**.

Undo the clamping screw and move the adjustable carrying strap attachment **10** to the desired position to change the strap position on the device. Then re-tighten the clamping screw.



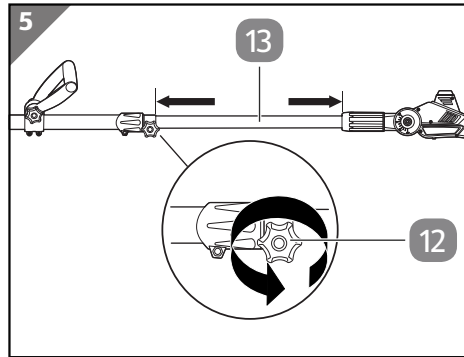
Operation

- Put on the carrying strap so that it lies across your shoulder and crosses your chest and back.
- Adjust the strap length so that the quick latch **17** is at hip height.



Adjusting the telescopic tube

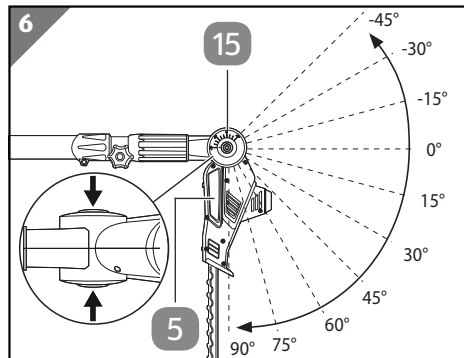
1. Loosen the telescopic tube latch clamping screw **12** by turning it counter-clockwise.
2. Pull out the telescopic tube **13** completely or to the extent required for your working height.
3. Tighten the telescopic tube latch clamping screw clockwise.



Adjusting the tilt angle

For an optimal operating position the hedge trimmer head can be tilted by up to 45° upwards and 90° downwards **5** in steps of 15°.

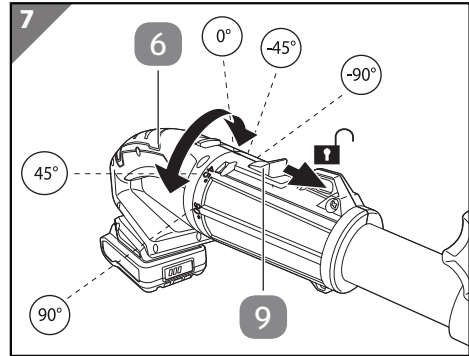
1. Press the tilt angle latch **15** on both sides and set the desired hedge trimmer head tilt angle.
2. Release the tilt angle latch.
Make sure that the hedge trimmer head **5** snaps securely into one of its tilt angle positions.



Turning the handle

To enable an optimal working position, you can turn the handle **6** by 45° and 90° clockwise or counter-clockwise.

1. Completely slide the handle latch **9** forwards and turn the handle by 45° or 90° clockwise or counter-clockwise.
2. Let go of the handle latch.
Make sure that the handle snaps securely into its position.



Inserting/replacing the battery

The device's battery is a system battery and must be purchased separately. Read the battery's user manual before using the battery.

⚠ CAUTION!

Fire and explosion hazard through reverse polarity or short circuiting

- Only use suitable batteries (see chapter "Technical Data") approved by the manufacturer.
- Only use undamaged batteries.

Removing the battery

1. Press and hold the battery release button.
2. Pull the battery out of the battery holder.

If the battery does not come off easily, you have not applied enough pressure on the battery release button. Press the battery release button harder.

Inserting the battery

1. To insert the battery, slide it into the battery holder.
You will hear a "click" when the battery lock engages.
2. Make sure that the battery is seated firmly.

Switching on/switching off the device

⚠ WARNING!

Risk of injury

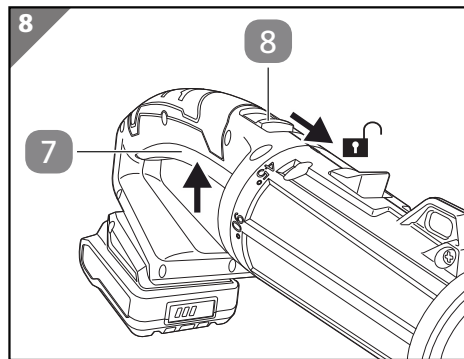
Firmly hold the device until the blade stops.

- Remove the blade guard before each use and replace it after use and during interruptions.

1. Remove the blade guard **4**.
2. Slide the switch lock **8** all the way forward and then press the ON/OFF switch **7**.
Once the device is switched on, you can let go of the switch lock.
3. Let go of the ON/OFF switch to turn off the device.

Stop the device and disconnect it from the power supply (remove battery):

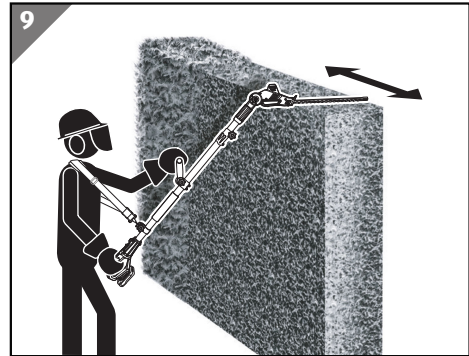
- before making any adjustments to the device
- whenever you put the device down
- when remedying blockages
- before checking, cleaning or working on the device
- after contact with a foreign object to check the device for damage



Working with the device

- Before starting work, check the area for hidden electric lines, wires or other objects that can cause injuries or damage to the device when using it and remove these.
- Before each start-up, check all screw and plug connections, especially the blade screws, check all latches for tight fit and moving parts for ease of movement.
- Remove thicker branches with a saw or loppers before starting work.

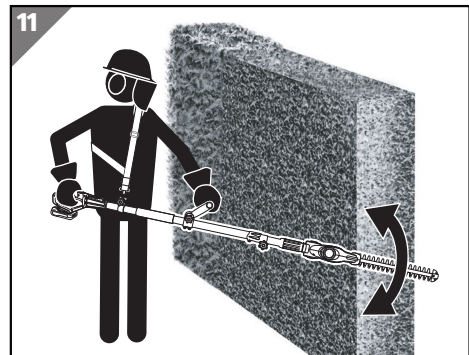
- Always grip the device firmly in both hands. Keep one hand on the handle and the other on the extra handle.
- Put your body and arms into a position in which you can resist kickback forces.



- You will achieve the best cutting result when guiding the device so that the blade teeth are aligned at an angle of roughly 15° to the hedge.



- The sides of a hedge are cut in sweeping motions from the bottom to the top.
- The double-sided, counter-directional blades allow cutting in both directions.



Removing blockages



Risk of injury!

Accidental activation can lead to injuries.

- Make sure that the device is turned off.
- Disconnect the battery from the device.

1. Stop the device.
2. Remove the battery.
3. Remove stuck material from the blade.

Inspection



Risk of injury from sharp blades

- Use protective gloves.

Before each use check that:

- the device is undamaged,
- the controls are not damaged,
- the accessories are in perfect condition,
- the vents are clear and clean.

Do not operate a damaged device or accessory. Instead, get it inspected and repaired by the manufacturer or their customer service or a similarly qualified person.

Maintenance

Use the following original spare parts only:

Name	Item number	Position
Hedge trimmer head	AJBH011002	5
Protective cover	AJBH011001	4
Extra handle	AJBH011005	2
Carrying strap	AJBH011004	3

Cleaning

WARNING!

Risk of injury from sharp blades

- Use protective gloves.

NOTE!

Risk of damage!

Improper handling can damage the device.

- Do not use any harsh cleaning products, brushes with metal or nylon bristles, or sharp or metallic cleaning materials such as knives, hard scrapers or similar. They may damage the surfaces.

Thoroughly clean the device and its accessories after each use and allow all parts to dry. Keep the protective guards, air vents and motor unit as clean from dust and dirt as possible.

1. Remove the battery.
2. Remove all plant residues with a hand broom or a brush.
3. Clean all smooth surfaces with a damp cloth.
4. Apply some oil (e.g. sewing machine oil or printer's oil) on the cutting blades to keep them running smoothly and let the device run briefly to distribute the oil.

Storage

NOTE!

Risk of damage!

Improper storage of the device can result in damage.

- Allow the device to completely cool down.
- Place the device so that it can't fall into water.
- Store the device in a clean, dry, frost-protected place out of the reach of children.

1. Remove the battery from the device.
2. Thoroughly clean the device (see "Cleaning").
3. Store the battery at 50–80% capacity. If the battery is stored for over 6 months, check the charge level after this period and recharge the battery if necessary.
4. Pull on the protective cover.
5. Disconnect the hedge trimmer head from the tube if necessary.
6. If possible, pack the device in the original packaging.
7. Store the device in a location away from sunlight and other heat sources.
8. Store the device and accessories at a temperature between +10 °C and +30 °C.

Transport

Carry the device by the extra handle while the device is off, with the battery removed and the blade pointing away from the body. Always attach the protective cover when not using the device and lock all latches.

When transporting the device in a vehicle, secure it so that it cannot slide around.

Troubleshooting

Problem	Possible cause	Remedy
Device not working	Battery flat	Charge the battery
	Battery faulty	Replace battery
Device works unevenly	Internal loose contact	Go to specialist workshop
	ON/OFF switch defective	Go to specialist workshop
Blade runs hot	Too much friction due to insufficient lubrication	Apply lubrication spray

Problem	Possible cause	Remedy
Poor cutting behaviour/messy cuts	Dull blade	Sharpen/replace blade
Frequent blocking	Low battery charge	Charge the battery

If the problem persists, contact the customer service listed on the last page.

Technical data

Model	GTHT20A
Item number	846655 / 629481 (SAP)
Voltage	20 V Li-ion
Cutting length	max. 415 mm
Device length	approx. 200 - 277 cm
Blade length	approx. 450 mm
Distance between teeth	approx. 16 mm
Weight (without battery)	approx. 2.9 kg

Noise information

Measured in accordance with ⁹EN 62841-1; ⁹EN 62841-4-2; correction value K = 3 dB(A)

Sound pressure level L_{pa}^9 80 dB (A)

Measured sound power level: 93 dB (A)

Guaranteed sound power level L_{wa}^{20} 98 dB (A)

Vibration information

Vibration total values (vector sum of three directions), determined in acc. with EN 62841-1, EN 62841-4-2; correction value K = 1.5 m/s²

Vibration emission value a_v : < 2.5 m/s²

Total vibration value

The stated total vibration value and the stated noise emission values have been measured according to a standardised test procedure (EN 62841-1:2015+A11:2022 / EN 62841-4-2:2019+A11:2022+A1:2022) and can be used to compare one power tool with another. They can also be used for a preliminary assessment of the exposure.

Warning

Vibration and noise emissions while actually using power tool may differ from the values given due to the manner in which the power tool is used and, in particular, the type of workpiece being machined.

Technical data

It is necessary to establish safety measures that protect the operator based on an estimate of the vibration exposure during actual conditions of use (taking into account all parts of the operating cycle, such as periods when the power tool is switched off and periods when it is switched on but running without load).

Try to keep the exposure to vibrations and noise as low as possible. Examples of measures to reduce vibration include wearing gloves when using the tool, limiting the working time and using accessories in good condition.

Battery and charger information (not included)

Only use the device with Active Energy® batteries and chargers that meet the following technical specifications:

Suitable for Active Energy®

Battery type:	20 V --- 36 Wh / Li-ion
Models:	XYZ561a
Charging time:	20 V --- / 36 Wh = approx. 45 min.
Battery type:	20/40 V --- 90 Wh / Li-ion
Models:	XYZ562a
Charging time:	20 V ---(×2)/ 90 Wh = approx. 95 min.
Charger type:	21 V ---/ 4.0 A
Models:	XYZ563a

Please note the technical specifications for the battery and the charger.

EC Declaration of Conformity

We,

MEROTEC GmbH
Otto-Brenner-Str. 8, 47877 Willich, Germany

herewith declare under our own, sole responsibility that our product

20 V telescopic hedge trimmer excluding battery and charger
Model No. GTHT20A

is in conformity with the following directives:

2006/42/EC Machinery Directive
2014/30/EU EMC directive
2000/14/EG Outdoor Noise Directive, amended by 2005/88/EC
conformity assessment procedure: 2000/14/EC Annex V
Measured sound power level $L_{WA} = 93 \text{ dB(A)}$ ($K = 3 \text{ dB(A)}$)
Guaranteed sound power level $L_{WA} = 98 \text{ dB(A)}$
2011/65/EU^{*)} RoHS amended by (EU) 2015/863

Applied harmonized standards:

EN 62841-1:2015+A11:2022
EN 62841-4-2:2019+A11:2022 +A1:2022
EN 55014-1:2021
EN 55014-2:2021
EN IEC 63000:2018

Person authorised to compile the technical file:
Dirk Wohrab
MEROTEC GmbH

Willich, 05/11/2024
Legally valid signature:



Roland Menken
General Manager MEROTEC GmbH



This declaration of conformity is issued under the sole responsibility of the manufacturer.

^{*)} The object of the declaration described above satisfies the provisions of directive 2011/65/EU of the European Parliament and the Council of 8 June 2011 on limiting the use of certain harmful substances in electrical and electronic appliances.

Disposal

Disposing of packaging



Dispose of packaging according to type. Sort the paperboard and cardboard as waste paper and the film as recyclable material.

Dispose of old electrical device

Applicable in the European Union and other European countries with systems for separate collections of recyclable waste.



Old electrical devices must not be disposed of as household waste! If the device cannot be used any more, each consumer **is obligated by law to dispose of old devices separately from household waste**,

e.g. at a municipal/city district collection point. It is thereby ensured that old devices are professionally recycled and negative effects on the environment are avoided. Therefore, electrical devices are marked with the above symbol.



The symbol opposite means that batteries and accumulators must not be disposed of with household waste. Consumers are legally obliged to dispose of batteries and rechargeable batteries separately.

Batteries and rechargeable batteries can be returned free of charge to a collection point in your municipality/borough or to a retailer so that they can be disposed of in an environmentally friendly manner and valuable raw materials can be recovered. Improper disposal can result in toxic substances being released into the environment, which can have harmful effects on humans, animals and plants.

Batteries and rechargeable batteries contained in electrical appliances must be disposed of separately if possible. Only dispose of batteries and rechargeable batteries when they are discharged.

If possible, use rechargeable batteries instead of disposable batteries.

Before disposing of lithium-containing batteries and rechargeable batteries, tape off the terminals to prevent an external short circuit. A short circuit can lead to a fire or explosion.

Batteries with increased pollutant content are also marked with the following symbols: Cd = Cadmium, Hg = Mercury, Pb = Lead, Li = Lithium