



USER MANUAL

Great care has gone into the manufacture of this product and it should therefore provide you with years of good service when used properly. In the event of product failure within its intended use over the course of the first 3 years after date of purchase, we will remedy the problem as quickly as possible once it has been brought to our attention. In the unlikely event of such an occurrence, or if you require any information about the product, please contact us via our helpline support services, details of which are to be found both in this manual and on the product itself.

SCARIFIER

FERREX®



PRODUCED IN CHINA FOR
ALDI STORES LTD.
PO BOX 26, ATHERSTONE
WARWICKSHIRE, CV9 2SH
ALDI STORES (IRELAND) LTD.
PO BOX 726, NAAS, CO. KILDARE
VISIT US AT WWW.ALDI.COM

AFTER-SALES SUPPORT		854962
GB	+44(0) 1904727501 support@coreservice.co.uk	
IE	+353(0) 19022605 support@coreservice.co.uk	
MODEL: GLS37D		03/2026

3 YEAR WARRANTY

1 GENERAL INFORMATION

1.1 READING AND STORING THE USER MANUAL



This user manual is part of the scarifier (hereinafter also called "device"). It contains important information on how to set up and use the device.

Before using the device, read the operating manual carefully, in particular the safety instructions. Failure to follow this operating manual may lead to severe injuries or product damage.

This user manual is based on the standards and regulations applicable within the European Union and the United Kingdom. Outside the EU and the UK, please also ensure compliance with the relevant country-specific directives and laws.

Keep this operating manual for future reference. If you pass this device on to a third party, you must also supply this operating manual.

This user manual is also available in PDF format from our after sales support.

1.2 PROPER USE

The device is exclusively designed to scarify and aerate lawns.

This device is intended for private use only and is not suitable for commercial use. Use the device only as described in this operating manual. Any other use is improper and may lead to product damage or even personal injury. This device is not a toy.

The manufacturer or retailer assume no liability for damage caused by improper or incorrect use.

2 SAFETY

IMPORTANT

READ CAREFULLY BEFORE USING THE DEVICE. KEEP FOR FUTURE USE.

The following signal words are used in this user manual.

WARNING!

This signal symbol/word denotes a hazard with an average risk level that could lead to death or severe injury if it is not avoided.

CAUTION!

This signal symbol/word denotes a hazard with a low risk level that could lead to mild or moderate injury if it is not avoided.

CAUTION!

This signal word provides a warning about potential material damage.

NOTICE

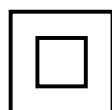
This symbol provides you with useful additional information on handling and use.

2.1 EXPLANATION OF SYMBOLS

The following symbols and signal words are used in this user manual, on the device or on the packaging.



Declaration of conformity (see chapter "Declaration of conformity"): Products marked with this symbol meet all the applicable Community regulations of the European Economic Area.



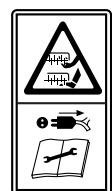
This symbol indicates that the device complies with the protection class II.



Read the instruction manual



Keep your distance



Caution - sharp prongs! Keep fingers and feet away.

Tines continue to rotate after the motor is switched off.

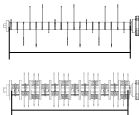
Pull mains plug before carrying out maintenance, adjusting and cleaning work or in the case of damage to or twisting of the power supply cable.



Wear protective goggles and hearing protection



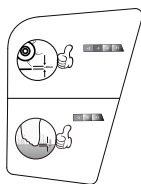
Keep the connecting cable away from the blades.



Working width of the roller



The symbol shows the maximum sound power level L_{WA} .



Tines of the fan roller should not touch the ground, but end about 3 mm above the ground. Use the +3 or -3 height adjustment as needed. The blades of the blade roller should cut about 3 mm into the ground. Adjust the height setting to the wear of the blades.



Never use without the catcher box with the deflector flap open!
Close the impact flap when using without the catcher bag.

IPX4

The device is protected from all sides against water splashes.



Wear goggles.



Wear hearing protection.

2.2 SAFETY NOTES

⚠ WARNING!

Risk of electric shock!

Improper handling of the device, faulty electric installation or excessively high mains voltage may result in an electric shock.

- » Only connect the device to a properly installed socket. The mains voltage must match the value indicated on the rating plate.
- » In the case of a fault, immediately disconnect the device from the power cable and/or mains.
- » Do not connect the device if the device, power cable or a mains plug shows visible signs of damage.
- » Damaged power cords and devices must only be repaired by the manufacturer, their customer service or a qualified professional.
- » Do not open the housing under any circumstances and never insert any object in the housing.
- » Always disconnect the device from the mains before cleaning or servicing it.
- » Never touch the mains plug with damp hands.
- » Do not immerse the device, power cable or mains plug in water or other liquids.
- » Do not bend the power cable and do not pass it over sharp edges.
- » Never move the device over the power cable.
- » The device must be supplied via a residual current protection device (RCD) with a rated residual current of no more than 30 mA.

⚠ WARNING!

Risk of explosion!

The roller of the scarifier or ejected objects can cause sparks when hitting metal. These sparks can ignite flammable liquids, gases or dust.

- » Do not use the scarifier in environments with a risk of explosion through flammable liquids, gasses or dust.

2.3 SAFE HANDLING INSTRUCTIONS

Switch the motor off and pull the plug out of the socket. Make sure that all moving parts have stopped completely.

- » whenever you step away from the device;
- » before remedying blockages or removing clogging in the discharge chute;
- » before inspecting, cleaning or working on the device;
- » after hitting a foreign object. Look for damage on the device and carry out the necessary repairs before starting again and working with the device.

If the device starts vibrating heavily, you must inspect it immediately.

- » Check for damage.
- » Repair any damaged parts.
- » Make sure that all nuts, bolts and screws are tight.

2.4 NOTES ON THE POWER CABLE

- » Use only authorised power cables of type H05VV-F or H05RN-F.
- » They must be approved for outdoor use.
- » The length shall not exceed 50 m.
- » The power cable wire cross section must be at least 1.5 mm².
- » Always completely unroll cable drums before use.
- » Check the cable for damage.

⚠ WARNING!

Risk of injury!

Improper handling of the device can lead to severe injuries or damage to the device.

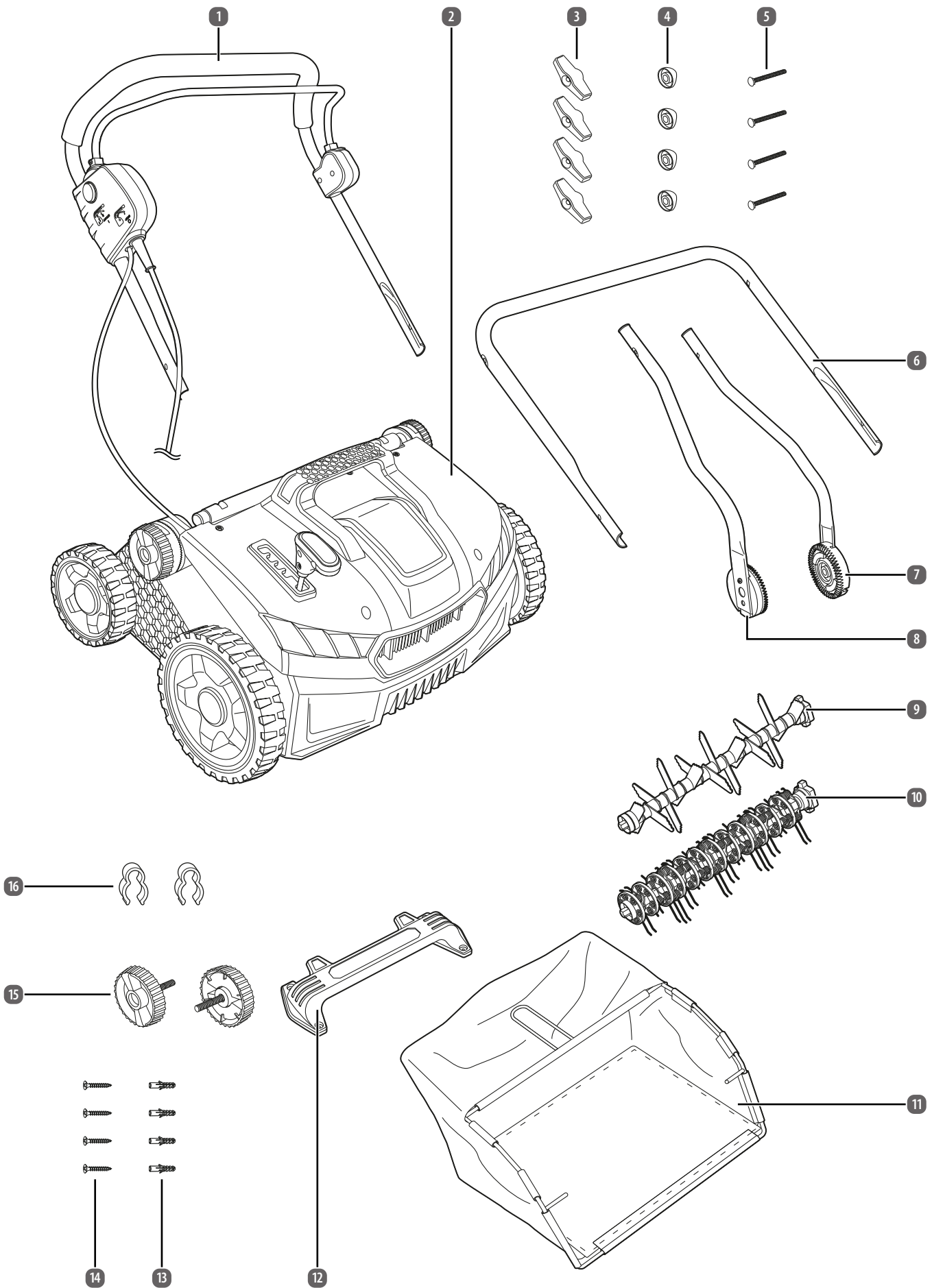
- » Do not let children, persons with restricted physical, sensory or mental capabilities or a lack of experience or expertise or persons who are not familiar with these instructions operate the device.
- » The minimum age of the user might be prescribed by local or national regulations.

2.4.1 RULES OF OPERATION

The following rules must be observed at all times when working on and with the device:

- Only adjust the device or rectify faults when the device stands still. Make sure that the device cannot start up.
- Only lift the device on the handle and the strut. Never reach underneath the device to lift it.
- Let the roller coast to a stop before touching the device.
- Never reach beneath the discharge flap or into the discharge opening.
- Stop the motor immediately if you notice unusual scarifying sounds or vibrations. Check and rectify cause of the fault before you continue scarifying.
- Never put a damaged device into operation. Any damage to the roller and the device must be repaired by the manufacturer's customer service or qualified personnel.
- Only scarify diagonally to inclinations.
- Never operate the device with faulty safety devices/covers or without safety devices.

3 PRODUCT OVERVIEW



3.1 PACKAGE CONTENTS

- | | | | |
|---|--|----|---------------------------------|
| 1 | Handlebar | 10 | Aerator roller |
| 2 | Device | 11 | Collecting bag |
| 3 | Wing nut (x4) | 12 | Mounting bracket |
| 4 | Washer (x4) | 13 | Screw anchor (x4) |
| 5 | Screw (x4) | 14 | Screw for mounting bracket (x4) |
| 6 | Connecting tube | 15 | Adjusting screw (x2) |
| 7 | Left rod | 16 | Cable clamp (x2) |
| 8 | Right rod | | |
| 9 | Scarifier roller (installed in device) | | |

4 BEFORE FIRST USE

4.1 CHECK THE DEVICE AND SCOPE OF DELIVERY

CAUTION!

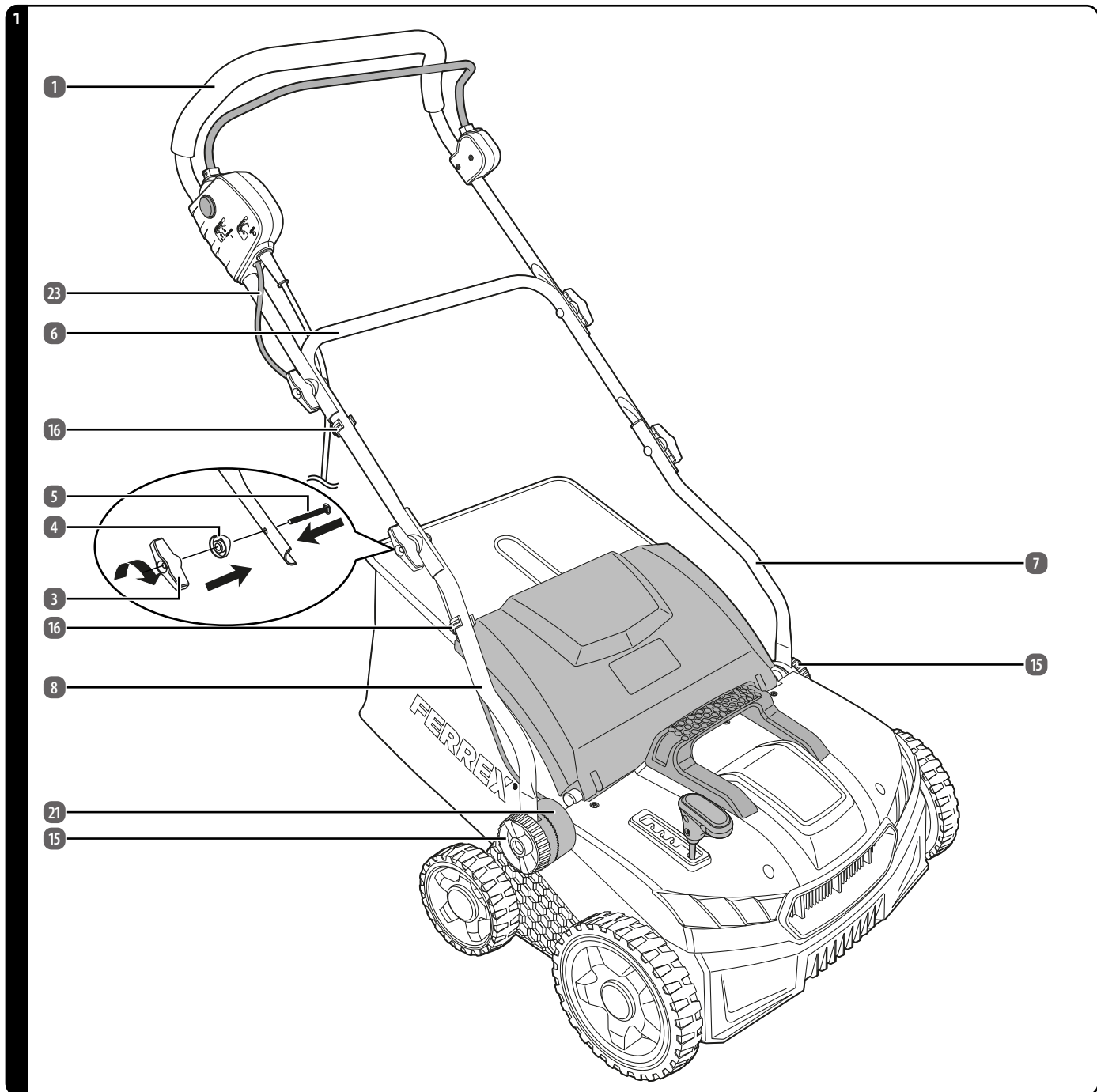
Risk of damage!

If opening the packaging with a sharp knife or other pointed objects, careless handling can damage the device.

» Therefore, be very careful when opening.

1. With both hands, lift the device out of the packaging.
2. Check that the delivery is complete (see chapter "Package contents").
3. Inspect the device and individual parts for damage. Do not operate a damaged device; instead, contact the manufacturer via the service centre listed in chapter "Warranty".

4.2 ATTACHING THE HANDLEBAR



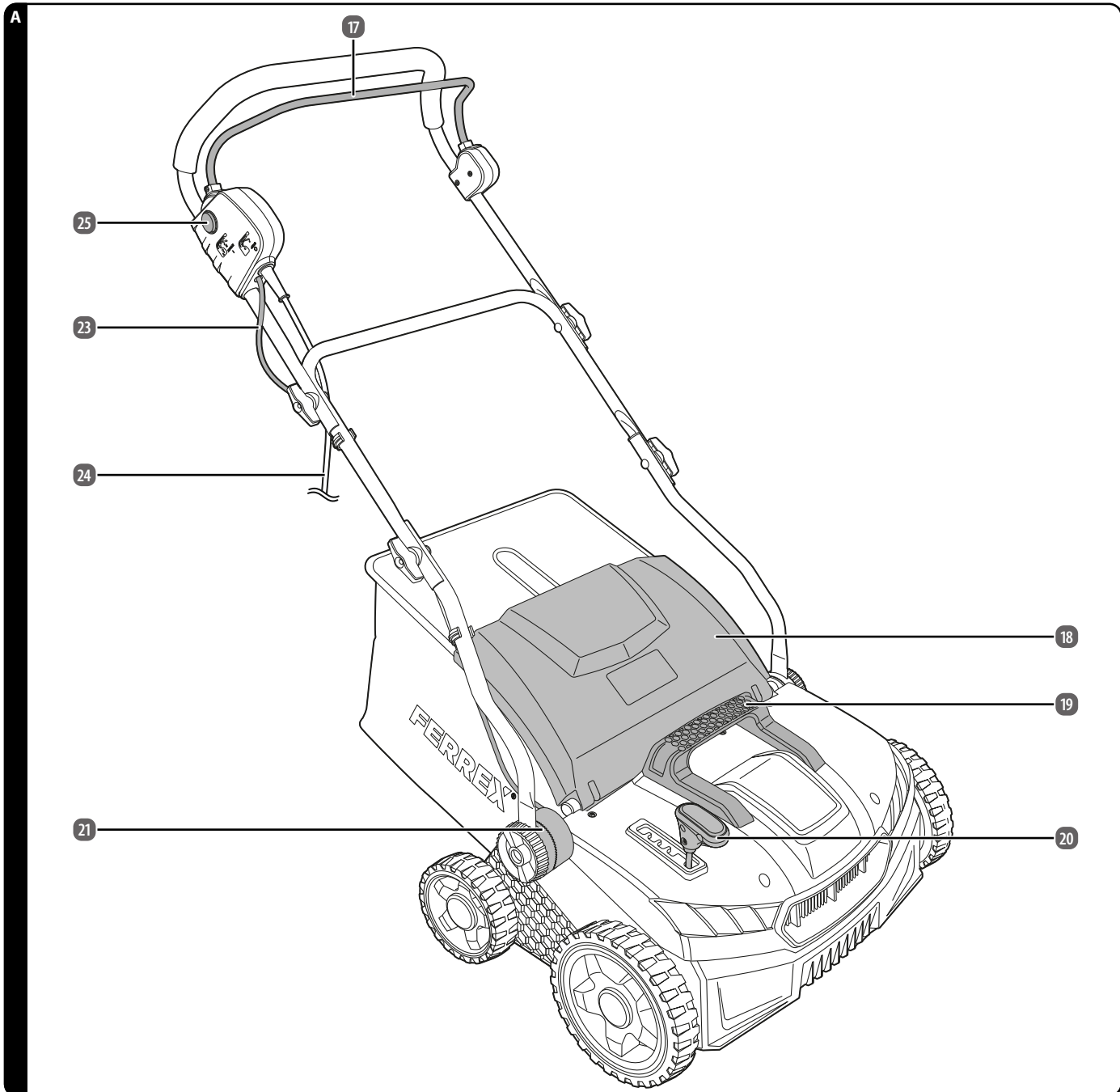
1. Place the left rod **7** on the toothed washer **21**.
 Make sure that the bend of the rod points upwards.
 It is important that the triangular marking on the rod lines up with one of the three line markings on the toothed washer.
2. Guide the adjusting screw **15** through the rod hole and tighten it clockwise.
3. Repeat these steps with the right rod **8**.
 Make sure that the triangular markings are adjusted to the same level on both sides.
Both rods have been attached.
4. Align the connecting tube with the rods so that the holes are flush.
5. Push two screws **5** through the holes so that the heads point inwards and the threads outwards.
6. Place a washer **4** on each screw.
7. Attach a wing nut **3** clockwise on each screw.
8. Align the handlebar **1** with the connecting tube so that the holes are flush.
9. Connect the handlebar to the connecting tube by installing two screws, nuts and wing nuts even here.

10. Attach the power cable 23 to the handlebar with the two cable clamps 16.

The handlebar has been assembled.

5 OPERATION

5.1 CONTROLS



5.2 NOTES ON SCARIFYING

The following instructions help you use the device effectively and safely. Improper handling of the device can cause damage to it.

- » Check the ground on which you want to use the device. Remove stones, twigs, wires, bones, and other foreign objects that could be caught up and flung out.
- » Always work in a direction facing away from the power supply cable.
- » Always push the device forward; pulling the device might damage the power supply cable.
- » Observe the local regulations for the working times with garden appliances.

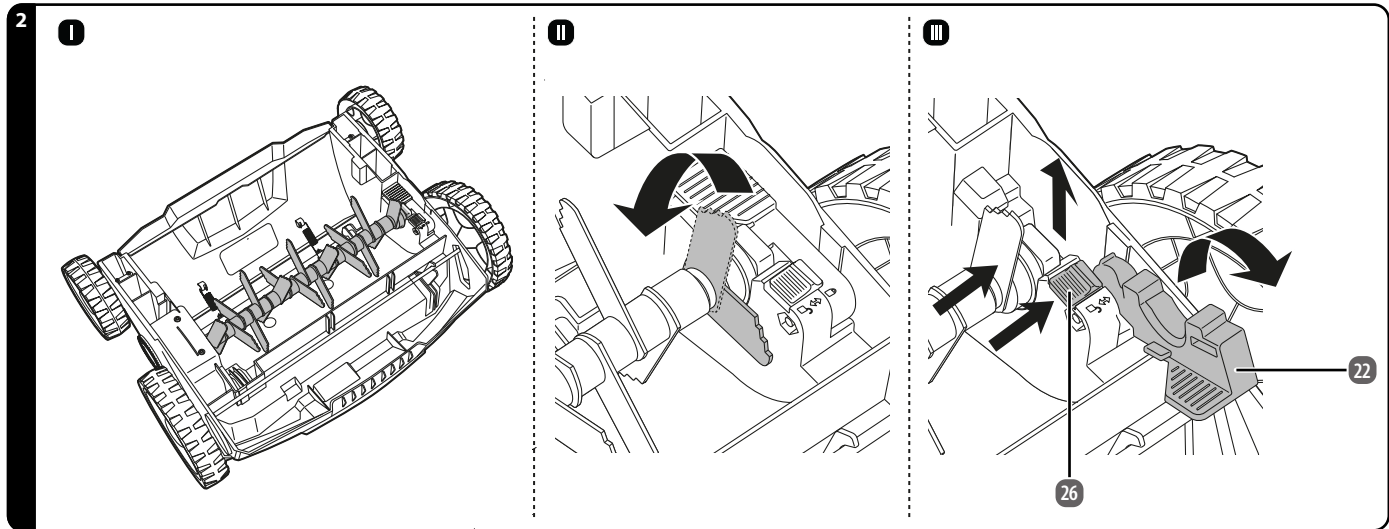
i NOTICE

Lawns develop a thatch layer consisting of blades of grass, shoots or moss over time. Also, the sod compacts over time, which impairs the water absorption capacity of the soil. This is why you should scarify your lawn twice a year. We recommend doing so in spring as soon as the ground is no longer frozen. A second scarification in late summer leaves enough regeneration time before winter. Heavily thatched grass should be scarified lengthwise and diagonally.

You can also aerate the lawn if desired. Mow the lawn beforehand. After each run with the scarifier, ensure sufficient watering so that the exposed sod does not dry out.

5.3 SELECTING/EXCHANGING A ROLLER

- 10 **Aerator roller:** Use this roller if you want to remove moss or thatch and collect it in the collecting bag 11.
- 9 **Scarifier roller:** Use this roller for regenerating lawn care.



1. Place the device on a level and dry surface.
2. Make sure that the device is disconnected from the power supply.
3. Turn the device upside down.
4. Scarifier roller disassembly: turn the last blade upwards.
5. Press and hold the release 26.
6. Unfold the attachment lever 22.
7. Push the roller out.
8. Remove the roller.
9. Now insert the desired roller into the device so that it fits into the mount 27 and push it to the left.
10. Fold back the attachment lever so that the release audibly and visibly engages.

The roller has been replaced.

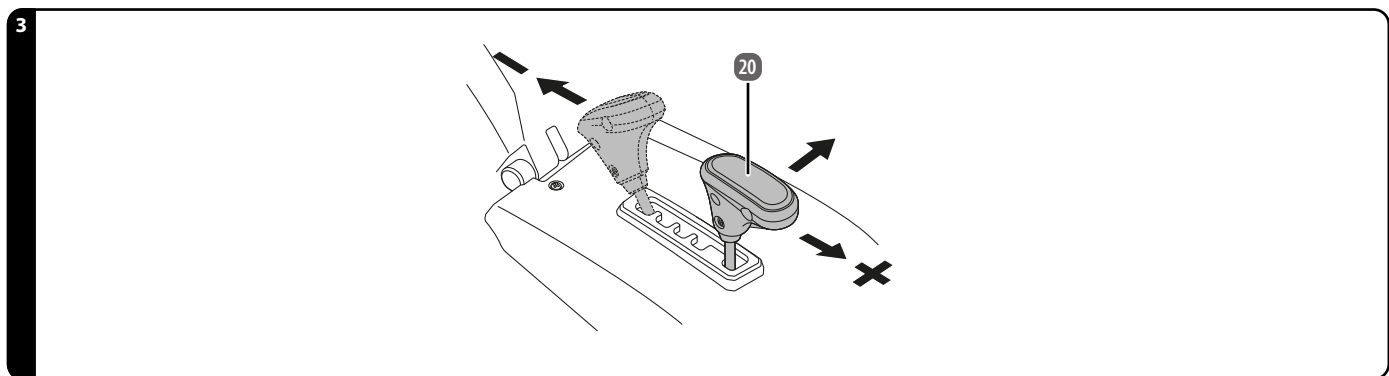
5.4 ADJUSTING THE WORKING DEPTH

CAUTION!

Risk of damage!

If the working depth has been wrongly set, the roller or the soil can become damaged.

It is useful to adjust the height adjustment when you want to transport the scarifier. The height adjustment also lets you set the working depth for your lawn. At the time of delivery, the scarifier is set to a working depth of 7 mm (" + 7").



- Set the height adjustment **20** to position "+ 7" (parked position/transport position) to transport or park the device.
- Set the working depth to the desired position to carry out the following work with the device:

- **Scarifying (scarifier roller)**

When scarifying, the roller should cut 3 to 5 mm into the soil. Deeper penetration harms the sod.

- Position "- 3" with new roller
- Position "- 8" with slightly used roller
- Position "- 11" for readjusting with increasing wear, indicated by visible notches on the roller blade.

- **Aerating (aerator roller)**

- Position "+ 2" in case of slight to average thatching
- Position "- 3" in case of heavy thatching

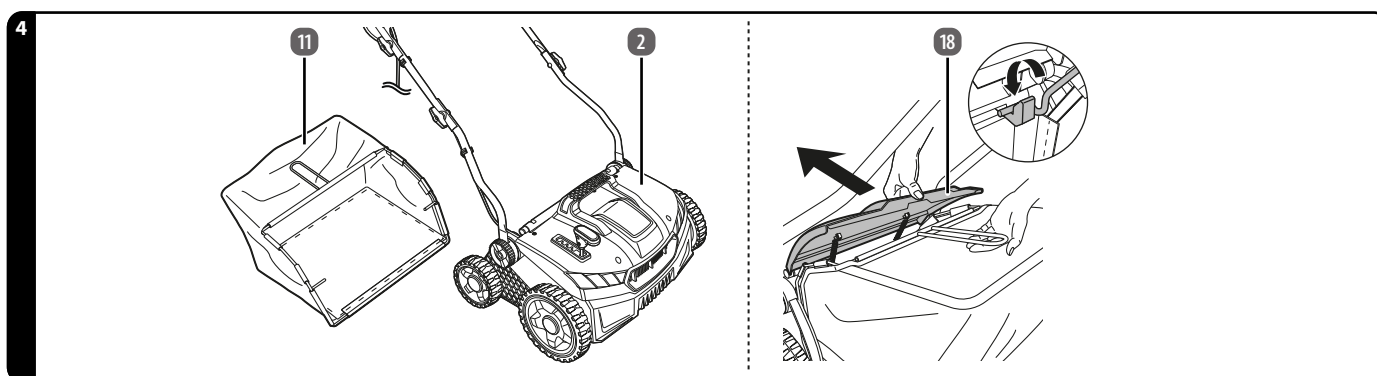
The aerator roller must never be operated in the positions "- 8"/"- 11". This can lead to substantial damage to the sod, the aerator roller and the device.

5.5 ADJUSTING THE HANDLEBAR HEIGHT

1. Turn the adjusting screws **15** 3-4 turns counter-clockwise.
2. Move the handlebar **1** to the desired height (top, centre or lowest setting).
Make sure that the handlebar is set to the same setting on both sides.
3. Tighten the adjusting screws clockwise.

The handlebar height is set.

5.6 ATTACHING THE COLLECTING BAG



1. Lift the discharge flap **18**.
2. Hang the collecting bag **11** into the device **2**.

The device is completely mounted.

i NOTICE

Alternatively, you can also use the device without the collecting bag. In this case, the plant scraps removed from the roller remain on the ground and can be removed or spread on the lawn as mulch, depending on their composition.

5.7 PREPARING FOR OPERATION

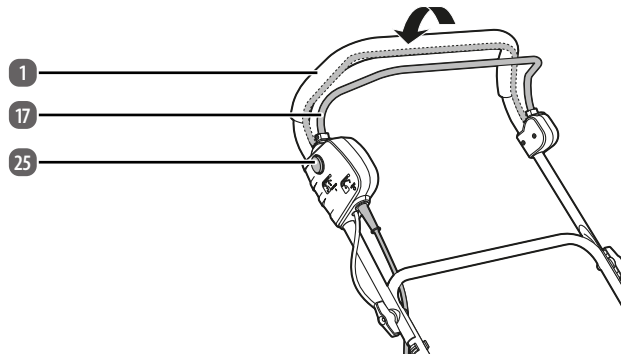
Use one power supply cable that is long enough to allow you to mow the entire lawn. Avoid using several extension cables.

1. Check the device, the collecting bag and the blade before connecting the power supply.
2. Set the desired working height before connecting the power supply.
3. Check the handle position (height) and correct it if necessary to work comfortably.
4. Lay out the power supply cable all along the perimeter of your lawn.
5. Connect the power supply cable to the mains connection **24**.
6. Plug the power supply cable plug into a properly installed socket.

5.8 SWITCHING THE MOTOR ON AND OFF

The motor is activated with a safety switch. When you let go of the safety bar, the motor stops. Only turn on the motor on the grass.

5



1. Place the device on the grass.
2. Press and hold the ON/OFF switch **25**.
3. Pull the safety bar **17** towards the handlebar **1**.

The motor starts.

4. Let go of the start button and keep the safety bar pressed to the handle as long as you want to keep the motor running.

To stop the motor, let go of the safety bar. Caution: the roller might continue to keep turning. Wait until the roller stands still before working on the device.

5.9 EMPTYING THE COLLECTING BAG

i NOTICE

The cuttings (thatch and moss) make excellent compost materials. Mix the grass and moss cuttings with other garden waste (e.g. brushwood) so that these don't mat together.

1. Stop the motor and wait until the roller stands still.
2. Lift the discharge flap **18**.
3. Lift the collecting bag **11** off the device.
Slightly lifting the collecting bag releases it.
4. Hold on to the discharge flap and move it until the discharge chute is covered again.
Do not simply let go; the discharge flap may get damaged due to the spring action.
5. Empty the collecting bag completely and make sure that it is not damaged.
Clear the lawn thatch material off the fabric as best as possible so air can flow properly through the fabric.
6. Attach the collecting bag (see section "Attaching the collecting bag")

6 CLEANING

⚠ WARNING!

Risk of electric shock!

Moisture in the device may cause a short circuit or electric shock.

- » Before cleaning, disconnect the power cable from the socket.
- » Make sure that no water or other liquid gets inside the housing.
- » Never clean the device with running water (e.g. a garden hose).

CAUTION!

Improper cleaning can damage the device.

- » Do not use any harsh cleaning products, brushes with metal or nylon bristles, or sharp or metallic cleaning materials such as knives, hard scrapers or similar. They can damage the surfaces.
- » Remove thatch and moss immediately. Residues of wet thatch on and in the device can harden and cause mould.

6.1 CLEANING AND INSPECTION AFTER EACH USE

i REGULAR CLEANING AND INSPECTION IS NECESSARY TO KEEP THE DEVICE IN PERFECT STATE.

1. Stop the motor and wait until the roller stands still.
2. Disconnect the device by unplugging the power cable.
3. Thoroughly empty the collecting bag **11** (see "Emptying the collecting bag"). Do not reattach it to the device.
4. Remove thatch etc. from the device and the collecting bag with a hand broom and check the collecting bag for damage.
5. Tip the device on its side and remove thatch from the discharge chute and roller compartment with a hand brush or a brush.
6. Check the roller for damaged spots and wear.
Do not use the device with a damaged roller! Exchange the roller if necessary (for the roller type see "Spare parts list").
7. Place the device upright again.
8. Check all connections (handlebar, collecting bag) for tight fit.

The device is ready for storage.

7 MAINTENANCE

Apart from the measures described in the section "Cleaning and inspection after each use", the device is basically maintenance-free. You do not have to lubricate or readjust any parts.

In addition, check the following once a year:

- Free wheel movement.
- Function and free movement of the height adjuster (20).
- Function and free movement of the discharge flap (18).
- Damage on the device (such as broken housing parts or worn collecting bag (11)).

If you detect any defects, contact customer service or a specialist workshop. Do not operate the device with a detected defect.

8 SPARE PARTS

If you need spare parts, please contact the manufacturer via the service centre address indicated on the warranty card.

Part description	Part number
Set of connecting elements	5, 4, 3
Aerator roller	10
Wall mount with screw anchors and screws	12, 13, 14
Scarifier roller	9
Cable clamp (x2)	16
Collecting bag	11
Front wheel assembly set	n/a
Rear wheel assembly set	n/a

9 STORAGE

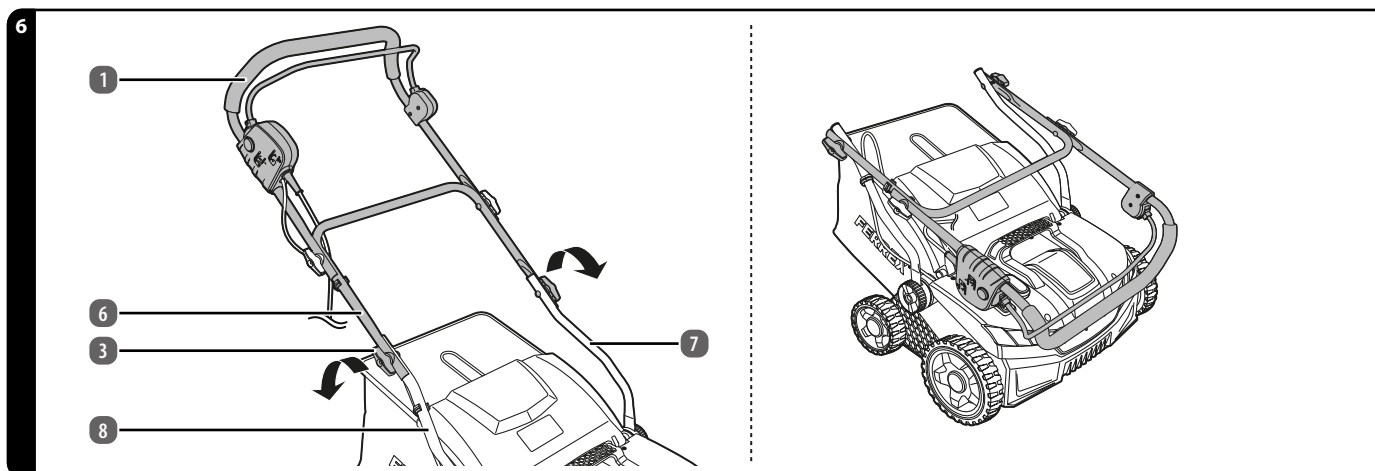
CAUTION!

Improper storage of the device can result in damage.

- » Let the device dry before storing it. Residual moisture and cuttings remaining in the device can lead to mould formation.

FOLDING IN THE HANDLEBAR

Optionally, the handlebar (1) can be folded in to save space during storage or transport.



1. Undo the wing nuts (3) between connecting tube (6) and the two rods (7, 8).
2. Fold the handlebar forward so that it rests on the device.
3. You can make additional adjustments with the wing nuts on the handlebar.

STORAGE CONDITIONS

- Thoroughly clean the device (see "Cleaning").
- Store the device in a clean, dry, frost-protected place out of the reach of children.
- Store the device in a location away from sunlight and other heat sources.
- Always store device parts and accessories together with the device.
- Store the device and accessories at a temperature between +5 °C and +20 °C.

9.0.1 HANGING UP THE DEVICE

Use the supplied mounting bracket (12) if you want to hang up the device.

9.0.2 TRANSPORT INSTRUCTIONS


- Always transport the device with the handle folded in.
- Only lift the device by the carry handle 19.
- Exclusively transport the device in normal position; prevent tilting while transporting.
- When transporting the device in vehicles, the device must be secured in accordance with the applicable regulations (load securing).

10 TROUBLESHOOTING

PROBLEM	POSSIBLE CAUSE	REMEDY
Motor does not start up or stutters	The power cable is not correctly plugged in.	Check the plug connection on the device and on the extension cable for tight fit.
	The mains connection is defective	Check the line and the fuse.
	The power cable is defective.	Check the power cable.
	The switch is defective.	Contact customer service.
	The connections on the motor have come undone.	Contact customer service.
The engine power is failing.	The device housing is clogged.	Change the working depth and clean the housing.
	The ground is too hard.	Adjust the working depth.
	The device housing is clogged.	Clean the housing.
	The roller is worn.	Exchange the roller.
The scarifying result is not satisfactory.	The roller is worn.	Exchange the roller.
	The working depth is wrongly adjusted.	Adjust the working depth.
	The lawn is too high.	Mow the lawn.
The motor runs but the roller does not.	The toothed belt is torn.	Contact customer service.
The device is very loud.	Individual parts are not correctly installed and/or screws are loose.	Check the individual parts for correct assembly and tighten loose screws.
The device rattles.	Foreign objects on the roller are knocking against the housing.	Remove the foreign objects.

If the problem persists, contact the customer service listed on the last page.

11 TECHNICAL DATA

Model:	GLS37D
item number:	854962
Rated voltage/frequency:	230–240 V~ / 50 Hz
Rated power:	1500 W
Protection class:	II 
IP rating:	IPX4
Idle speed:	3500 min ⁻¹
Weight (net):	approx. 13 kg
Working width:	37 cm
Working depth (mm):	-11, -8, -3, +2, +7
Collecting bag volume:	40 l
Guaranteed sound power level L _{wa} :	103 dB(A)
Sound power level L _{wa} :	100,12 dB(A)
Correction value K _{wa} :	2,63 dB(A)
Sound pressure level L _{pa} :	86,2 dB(A)
Correction value K _{pa} :	3,0 dB(A)
Vibration emission value a _w :	5,59 m/s ²
Correction value K:	1,5 m/s ²

The stated total vibration value and the stated noise emission values have been measured according to a standardised test procedure (EN 60335-1 / EN 50636-2-92) and can be used to compare one power tool with another. They can also be used for a preliminary assessment of the exposure.

WARNING

Vibration and noise emissions while actually using power tool may differ from the values given due to the manner in which the power tool is used and, in particular, the type of workpiece being machined.

It is necessary to establish safety measures that protect the operator based on an estimate of the vibration exposure during actual conditions of use (taking into account all parts of the operating cycle, such as periods when the power tool is switched off and periods when it is switched on but running without load).

Try to keep the exposure to vibrations and noise as low as possible. Examples of measures to reduce vibration include wearing gloves when using the tool, limiting the working time and using accessories in good condition.

EC Declaration of Conformity

We,

MEROTEC GmbH
Otto-Brenner-Str. 8, 47877 Willich, Germany

herewith declare under our own, sole responsibility that our product

Scarifier
Model No. GLS37D

is in conformity with the following directives:

2006/42/EC MD
2014/30/EU EMC directive
2000/14/EC Outdoor Noise Directive, amended by EU/2024/1208
Measured sound power level $L_{WA} = 100.12 \text{ dB(A)}$ ($K = 2.63 \text{ dB(A)}$)
Guaranteed sound power level $L_{WA} = 103 \text{ dB(A)}$
2011/65/EU*) RoHS amended by (EU) 2015/863

Applied harmonized standards:

EN 60335-1:2012+A11+A13+A1+A14+A2+A15
EN 50636-2-92:2014
EN IEC 55014-1:2021
EN IEC 55014-2:2021
EN IEC 61000-3-2:2019+A1+A2
EN 61000-3-3:2013+A1+A2
EN IEC 63000:2018

Person authorised to compile the technical file:
Dirk Wohlrab
MEROTEC GmbH

Willich, 22/09/2025
Legally valid signature:


Roland Menken
General Manager MEROTEC GmbH



This declaration of conformity is issued under the sole responsibility of the manufacturer.

*) The object of the declaration described above satisfies the provisions of directive 2011/65/EU of the European Parliament and the Council of 8 June 2011 on limiting the use of certain harmful substances in electrical and electronic appliances.

12 DISPOSAL

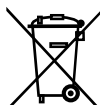
12.1 DISPOSING OF PACKAGING



Dispose of packaging according to type. Sort the paperboard and cardboard as waste paper and the film as recyclable material.

12.2 DISPOSE OF OLD ELECTRICAL DEVICE

Applicable in the European Union and other European countries with systems for separate collections of recyclable waste.



The symbol with the crossed-out waste container means that electric and electronic devices must not be disposed of in the household waste. Consumers are obligated by law to dispose of obsolete electric and electronic devices separately from unsorted household waste. This ensures environmentally friendly and resource-saving recycling.

Batteries and rechargeable batteries that are not permanently installed in electric or electronic devices and can be removed without destruction must be separated from such devices before disposal at a designated site and disposed of properly. The same applies to illuminants that can be removed from the device without destroying it.

Electric and electronic devices from private households can be dropped off at the collection points of the public waste disposal companies or at the collection points established by the manufacturers or distributors. The return of obsolete devices is free of charge.

This free take-back obligation applies for store purchases and deliveries to your home address. The place of performance of the take-back obligation is the same as the place of performance of the delivery. Transport costs may not be charged for devices that are taken back.

Generally, distributors are obligated to ensure the free-of-charge take-back of obsolete devices by means of suitable take-back sites at a reasonable distance.

Consumers have the possibility to return obsolete devices free of charge to a distributor obligated to take back such devices if they purchase a new device of equal value with essentially the same functions. This option also applies for home deliveries. In the case of distance selling, the option to have obsolete devices collected free of charge is limited to heat exchangers, monitors and large devices with at least one outer edge longer than 50 cm when purchasing a new device. The distributor has to ask the consumer whether they want to return an obsolete device at the time the sales contract is concluded. Apart from this, consumers can drop off up to three obsolete devices of the same device type at a supplier collection point free of charge without having to purchase a new device. However, the edge lengths of the respective devices must not exceed 25 cm.

13 WARRANTY

Please contact our **AFTER SALES SUPPORT** by phone or e-mail before sending in the product.

This allows us to provide support in the event of possible operator errors.

13.1 WARRANTY CONDITIONS

Dear Customer,

The **ALDI warranty** offers you extensive benefits:

Warranty period:	3 years from date of purchase. 6 months for wear parts and consumables under normal and proper conditions of use (e.g. rechargeable batteries).
Costs:	Free repair/exchange No transport costs
Hotline:	+44 (0) 1904727501 (GB) +353 (0) 19022605 (IE) Standard local landline call rate.
Phone lines available:	Monday to Saturday, 8am-9pm Sunday, 9am-7pm

Please contact our **AFTER SALES SUPPORT** by phone or e-mail before sending in the device. This allows us to provide support in the event of possible operator errors.

In order to make a claim under the warranty, please send us:

- The faulty item together with the original purchase receipt
- The product with all components included in the packaging

The warranty does not cover damage caused by:

- **Accident or unanticipated events** (e.g. lightning, water, fire)
- **Improper use or transport**
- **Disregard of the safety and maintenance instructions**
- Other **improper treatment or modification** of the product

After the expiry of the warranty period, you still have the possibility to have your product repaired at your own expense. If the repair or the estimate of costs is not free of charge you will be informed accordingly in advance.

This warranty does not affect your statutory rights. In the event that a product is received for repair, neither the service company nor the seller will assume any liability for data or settings possibly stored on the product by the customer.