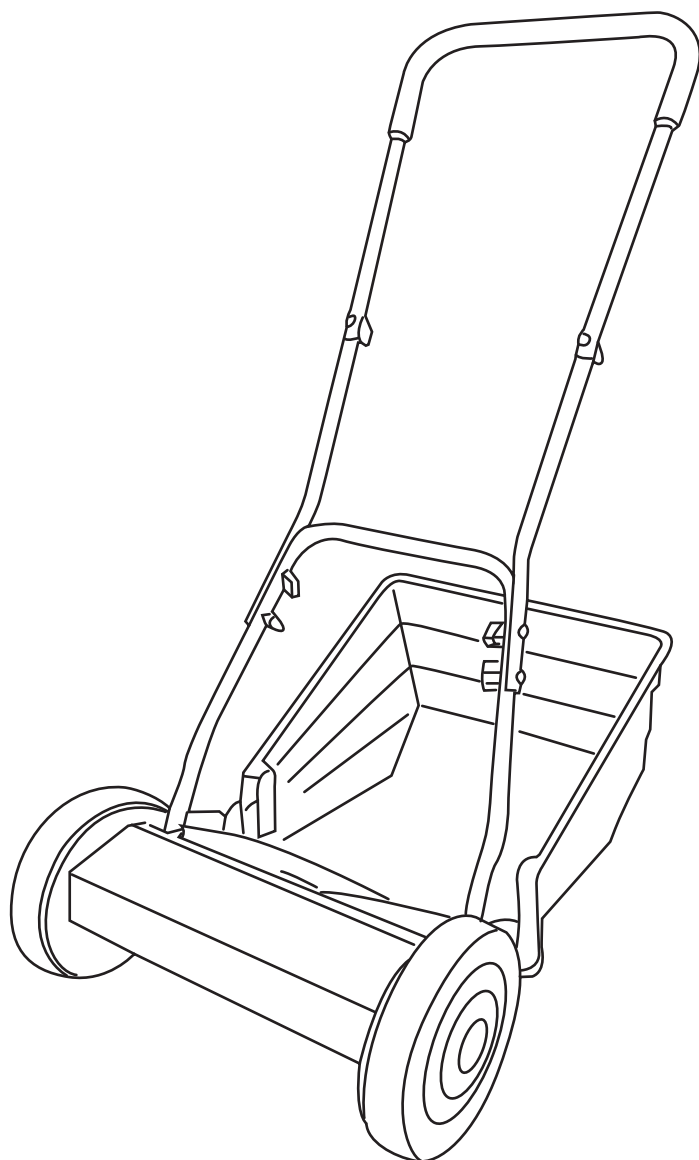


Qualcast Hand Push Mower

Assembly Manual

GSS380



Technical Support & Parts
01904 727500
www.gardenservicecentre.co.uk

QUALCAST

Important - Please read these instructions fully before starting assembly

These instructions contain important information that will help you get the best from your hand push mower, ensuring it is assembled correctly and safely.

Contents

Safety Information	3
Warning Symbols.....	3
General Safety	3
Personal Safety	3
Intended Use	4
In the box	5
Parts	5
Assembly	6
Preparing to assemble the hand push mower	6
Attaching the handles	6
Attaching the grass collection box	7
Adjusting height	7
Getting Help	8

Safety Information

Important - Please read these instructions fully before starting assembly

Warning Symbols

The following warning symbols appear throughout this assembly manual and indicate the appropriate safety measures you should take when assembling and operating the tool.



This symbol indicates there is a danger of serious personal injury or death if you do not observe the warning.



This symbol indicates that read the instruction manual before operating or attempting any maintenance work

General Safety



WARNING!

- Always ensure anyone intending to operate this hand push mower is fully conversant with the content of this assembly manual prior to assembling, maintaining or operating the cylinder mower.

- Perform assembly operations described in this manual. Failure to do so may lead to serious injury, death, or damage to the hand push mower.



IMPORTANT! Before assembling the hand push mower, check all the parts indicated in the manual are in the box. Inspect all the parts for signs of damage. Do not assemble the hand push mower if you observe any damaged components.

Personal Safety



WARNING!

- Only operate the hand push mower if you are wearing the correct Personal Protective Equipment (PPE).



- Always wear suitable gloves when assembling the hand push mower to protect your hands from sharp blades or objects.

Safety Information

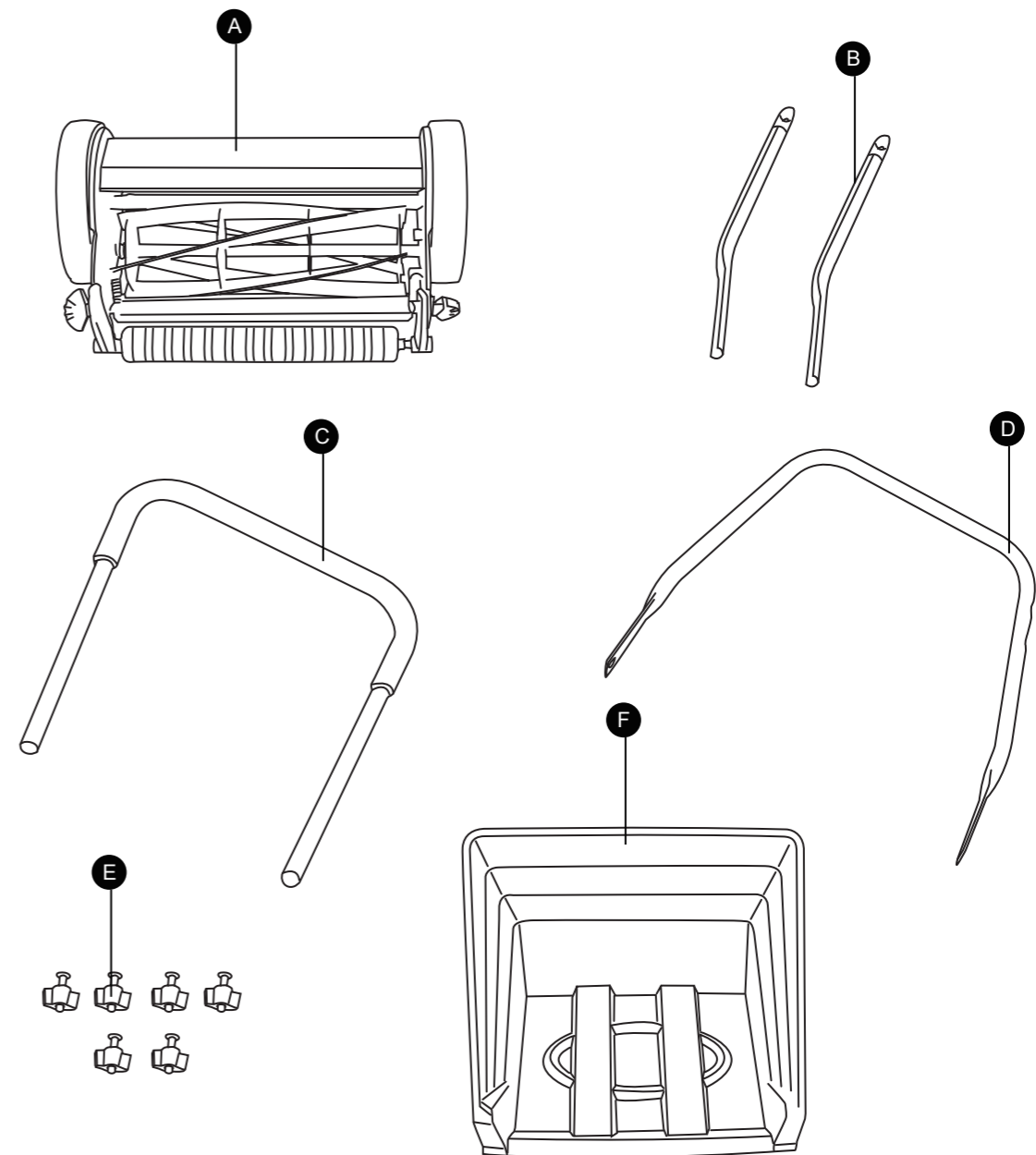
Intended Use

1. This product is intended for cutting grass and similar soft vegetation in private and hobby garden areas.
The device is not to be used in public gardens, parks, sports centres or at roadsides as well as agriculture and forestry trimming hedges, bushes and shrubs.
2. This product is intended for private use only, not for any commercial applications. It may not be used for any purposes other than those described.
3. This product is not intended for use by persons (including children) with reduced physical, sensory or mental capabilities, or lack of experience and knowledge, unless they have been given supervision or instruction concerning use of the product by a person responsible for their safety.
4. Children should be supervised to ensure that they do not play with the product.

In the Box

Parts

- | | |
|--------------------------------------|--|
| A Mower body | D Lower handle |
| B Mid handle x 2pcs | E Handle carriage bolts X 6 pcs |
| C Upper handle with foam grip | F Grass collection box |



Assembly

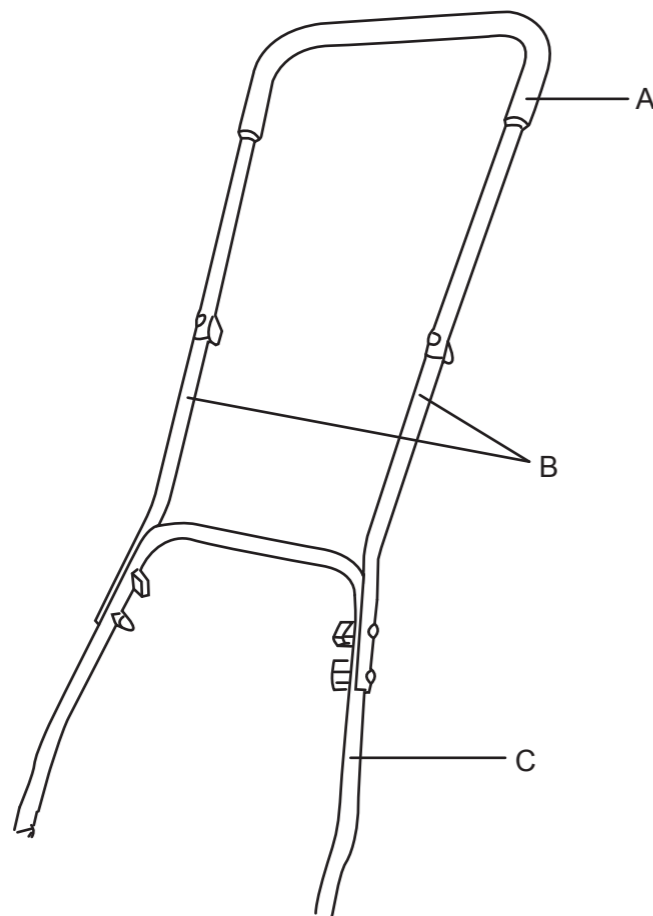
Preparing to assemble the hand push mower

! **IMPORTANT!** Before assembling the hand push mower, check all the parts indicated in the manual are in the box. Inspect all the parts for signs of damage. Do not assemble the hand push mower if you observe any damaged components.

NOTE Keep all packaging until the hand push mower is fully assembled and has been operated successfully. Always recycle the packaging in accordance with local recycling schemes.

Step 1 - Attaching the handle

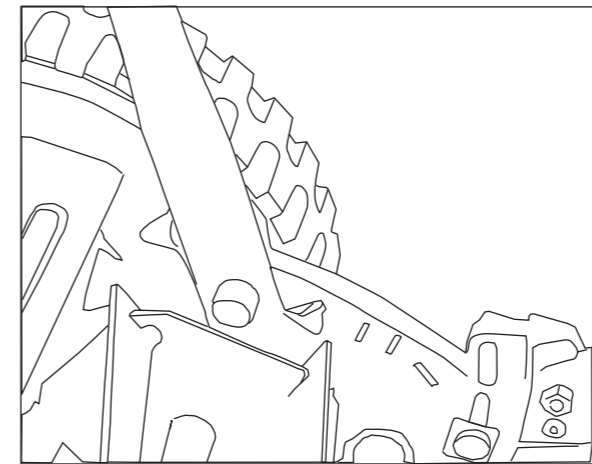
1. Secure the upper handle (A) to the mid handles(B) with two carriage bolts and two wing knobs.
2. Secure the handle assembled in step 1 to the lower handle(C) with four carriage bolts and four wing knobs.



Assembly

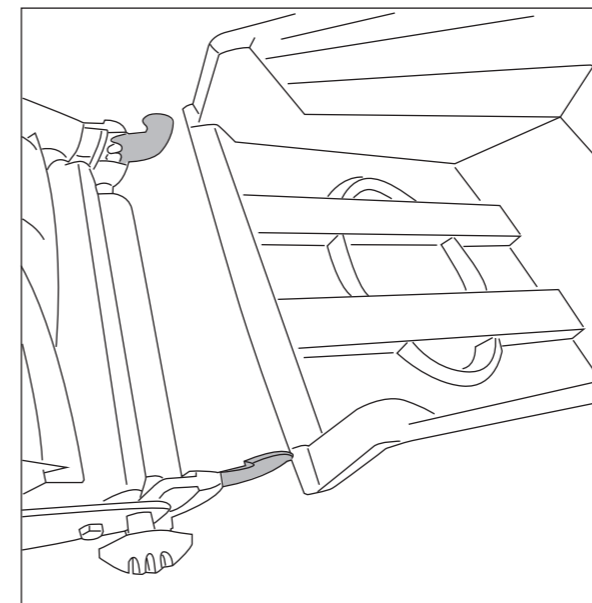
Step 1 - Attaching the handle

3. Position the complete handle assembly over the studs on the rear of mower frame.



Step 2 - Attaching the grass collection box

! **WARNING!**
- The grass collection box must be fitted before using the mower.



Getting Help

Customer Helpline 01904 727500

Our dedicated UK based customer helpline is open 7 days a week to assist you with assembly, parts queries and technical support. We are open during office hours but you can always send an email via support@gardenservicecentre.co.uk. Our experts are here to get you back enjoying your garden in no time.

For useful assembly, starting and maintenance videos and ordering spares please visit www.gardenservicecentre.co.uk.

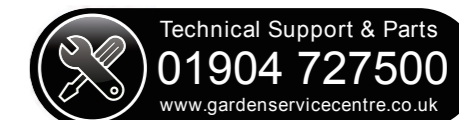
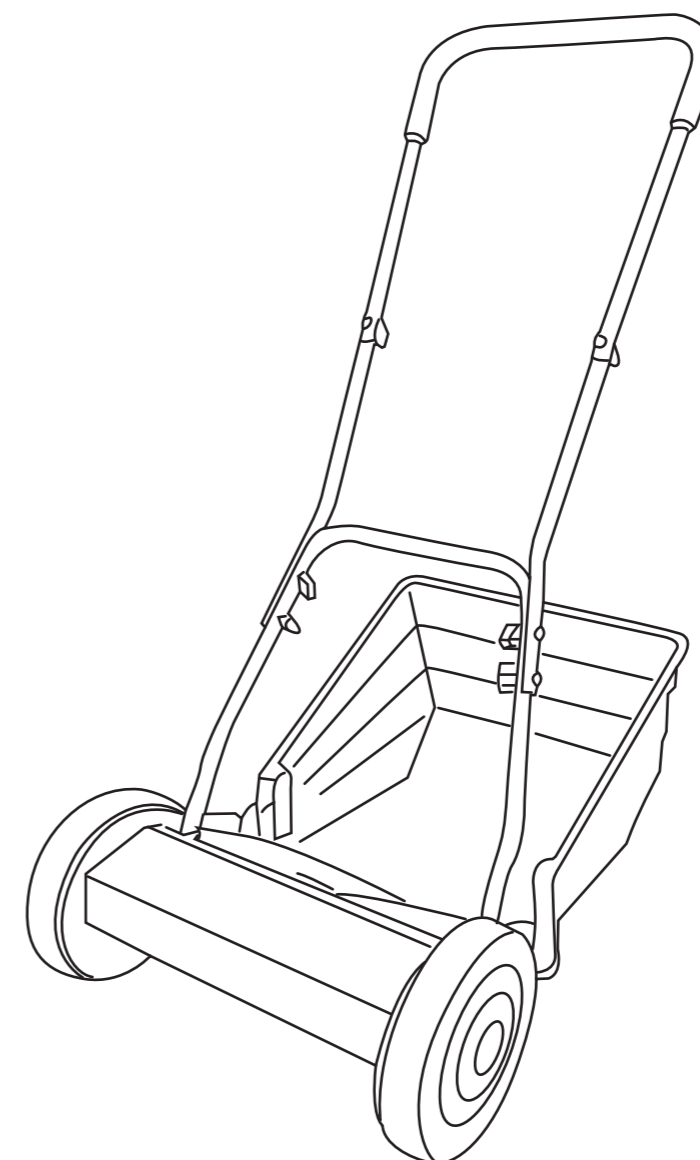
Calling our service does not affect your statutory rights

UK/Ireland 01904 727500
Monday to Friday 9am – 5pm. Saturday & Sunday 11am – 4pm
www.gardenservicecentre.co.uk
email: support@gardenservicecentre.co.uk

Qualcast Hand Push Mower

Assembly Manual

GSS380



Important - Please read these instructions fully before starting assembly

These instructions contain important information that will help you get the best from your hand push mower, ensuring it is assembled correctly and safely.

Contents

Safety Information	3
Warning Symbols.....	3
Personal safety	4
Operational Safety	7
Maintenance and Storage Safety	7
Preparing to Operate the Hand push mower	7
Step - Adjusting the cutting height	7
Operating the Hand push mower	7
Maintenance and Repair	8
Storage and Transportation	10
Troubleshooting	10
Technical Data	11
Recycling and Disposal	11
Getting Help	12
Guarantee	13

Safety Information

Important - Please read these instructions fully before operating or maintaining

Warning Symbols on the unit

The following warning symbols appear through this manual and indicate the appropriate safety measures you should take when operating and maintaining the hand push mower.



Warning.



Read the instruction manual.



Wear gloves protection.



Wear eye protection.



Keep bystanders away. Thrown objects can cause serious injury.



Caution-sharp cutting blade! Keep feet and hands away. Risk of injury.



Caution! Risk of injury by rotating blade! Keep hands and feet away from the openings when operating the mower.



Caution! Slip on slope.

Safety Information

Important - Please read these instructions fully before operating or maintaining

General Safety



WARNING!

- Keep this operating and maintenance manual in a safe place for future reference.
- Read the instructions carefully. Be familiar with the controls and the proper use of the equipment.
- Never mow while people, especially children, or pets are nearby. Keep in mind that the operator or user is responsible for accidents or hazards occurring to other people or their property.
- This appliance is not intended for use by persons (including children) with reduced physical, sensory or mental capabilities or lack of experience and knowledge, unless they have been given supervision or instruction concerning use of the appliance by a person responsible for their safety.
- Do not touch the rotating blades.

Personal Safety



WARNING!

- This machine can cause serious injuries. Read the instruction carefully for the correct handling, preparation, maintenance, starting and stopping of the appliance. Be familiar with the controls and the proper use of the appliance. Read and understand the operator's manual and observe the warnings and instruction labels affixed to the machine.
- Users. Never allow children or people unfamiliar with these instructions to use the machine. Local regulations may restrict the age of operator. Never operate the tool under the influence of alcohol, medication or drugs.
- This product is intended for private use only, not for any commercial applications. It may not be used for any purposes other than those described.
- Use personal protective equipment (PPE). Always wear eye protection. Protective equipment such as dust mask, non-skid safety shoes or gloves used for appropriate conditions will reduce personal injuries.
- Dress appropriately. Do not wear loose clothing or jewelry, as these can be caught in moving parts. Preferably wear non-slip footwear when working outdoors. Wear protective hair covering to keep long hair out of the way.

Safety Information

Important - Please read these instructions fully before operating or maintaining

Personal Safety



- Stay alert, watch what you are doing and use common sense when operating the tool. A lapse of concentration while operating the tool may result in serious personal injury.
- Keep all parts of the body away from the cutter blade. Do not remove cut material or hold material to be cut when blades are moving. Make sure the blade is stopped when clearing jammed material. A lapse of concentration while operating the tool may result in serious personal injury.
- Do not overreach. Keep proper footing and balance at all times. This enables better control of the tool in unexpected situations.
- Keep all bystanders, children, and pets at least 50 feet away. The operator or user is responsible for accidents or hazards occurring to other people or the property.

Operation Safety



WARNING!

- Be certain the parts are fully tightened before operating the machine. Check it periodically for tightness during use to avoid serious injury.
- Check for damaged parts. Before further use, carefully check the tool for damage. Check for alignment of moving parts, binding of moving parts, breakage of parts, mounting and any other condition that may affect its operation. Do not use the tool if any parts are damaged or defective. Have any damaged or defective parts repaired or replaced by an authorized service agent. Never attempt any repairs yourself.
- Grip the tool securely. Operator should both hands on the main handle while operating the tool.
- Never operate the mower in wet grass. Always be sure of your footing. A slip and fall can cause serious personal injury.
- Mow only in daylight or good artificial light. Walk, never run.
- Be careful when pulling the machine backward. Look down and behind to avoid tripping. Be sure you are well balanced with sure footing.
- Risk of cut. The cutting blade may continue to rotate for a few seconds after the mower has stopped moving. Never place any part of the body in the blade area until you are sure the blade has stopped rotating.
- Keep work areas clean. Cluttered areas and benches can cause accidents.
- Consider work area environment. Do not expose your tool to high humidity or rain. Do not use your tool in damp and wet conditions. Keep the work area well lit.

Safety Information

Important - Please read these instructions fully before operating or maintaining

Operation Safety (continued)

- Operation on slopes requires extra caution. Slopes are a major factor related to slip and fall accidents, which can result in severe injury. If you feel uneasy on a slope, do not mow it. If the slope is greater than 15 degree, do not mow it.
- Mow across the face of slopes; never up and down. Be cautious caution when changing direction on slopes.
- Watch for holes, tree roots, rocks, hidden objects or bumps which can cause you to slip or trip. Tall grass can hide obstacles.
- Always be sure of your footing. A slip and fall can cause serious personal injury.

Maintenance and Storage Safety



WARNING!

- Maintain tools with care. Keep tools clean and in good condition for better and safer performance. Follow the instructions for maintenance.
- Keep cutting blades sharp and clean. Properly maintained cutting blades with sharp cutting edges are less likely to bind and easier to control. Wear gloves, and use extra caution when maintenance.
- Store idle tool out of the reach of children and do not allow persons unfamiliar with the power tool or these instructions to operate the tool. Tool is dangerous in the hands of untrained users.

Service

This tool is manufactured in accordance with the relevant safety regulations. To avoid danger, equipment must only be repaired by qualified technicians.

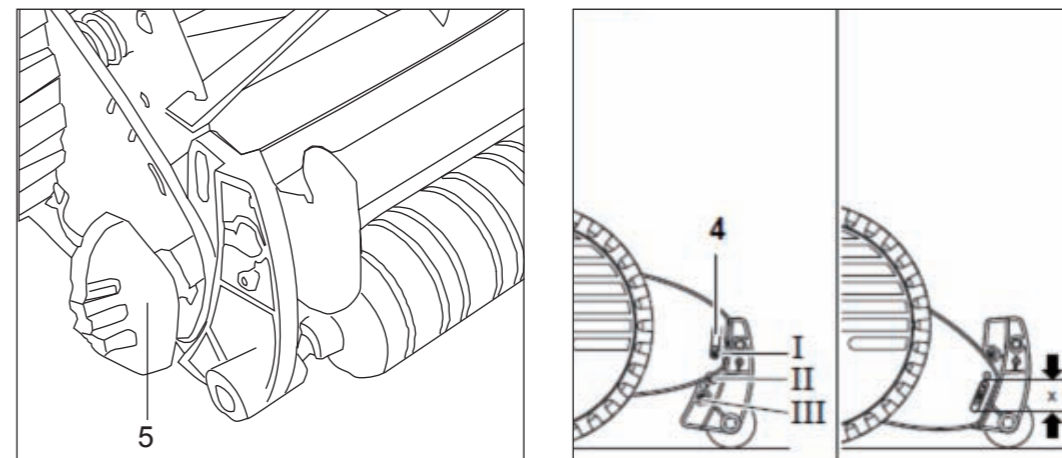
- Only use parts and accessories made for this machine by the manufacturer. Failure to do so can result in personal injury.

Intended Use:

This mower is designed for domestic lawn mowing only. Use in any other way is considered contrary to the intended use. Compliance with the operation, service and repair as specified in this handbook also constitute essential elements of the intended use.

Preparing to operate the Hand Push Mower

Step 1 - Adjusting the cutting height



- Loosen wing nut (5) both sides of the mower. Move both roller brackets (4) equally to the required height of cut.

To change the height of cut,

1. Remove the wing nut (5) and bolt
2. Reposition the bolt for required height of cut.
3. Refit wing nut (5)



The roller brackets (4) should be set in one of the three positions according to the type of lawn:
I for high range of bumpy lawns
II for medium range of average lawns
III for low range of reasonably flat lawns .

Operating the hand push mower

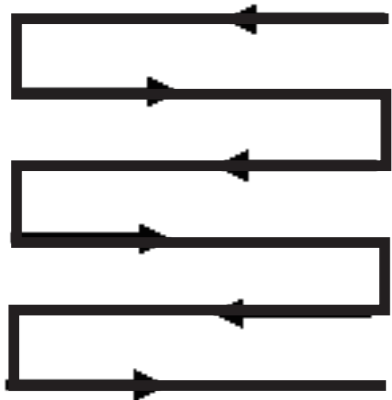
Operating the hand push mower



WARNING!

- Be sure lawn is clear of stones, sticks, wire or other objects which could damage mower or user. The operation of mower can result in foreign objects being thrown into the eyes, which can damage your eyes severely. Always wear safety glasses while operating the mower.

1. Do not cut wet grass because it tends to stick to the underbody of the product, preventing the proper discharge of grass clippings, and it could also cause you to slip and fall.
2. Never cut off more than one-third of the total length of the grass for a healthy lawn. In the autumn, lawns should only be cut as long as there is growth.
3. Slowly push the product forward.
4. Mow in slight overlapping rows. The most effective pattern for mowing lawns is straight lines along one of the sides. This will keep the rows even and ensures that all the lawn is cut without missing any spots.



5. Circle around flower beds. When reaching a flower bed in the middle of the lawn, cut a row or two around the circumference of the bed.
6. Pay special attention when changing direction.

Maintenance and Repair

Maintenance and Repair



IMPORTANT!

- Cylinder mowers have a difficult time with tall weeds such as dandelions which most times will cause the weeds to bend and not cut – cut often to prevent this.

Cylinder mowers are relatively low maintenance. For consistent cutting follow the below instructions:

Maintenance and Repair

Maintenance and Repair (continued)

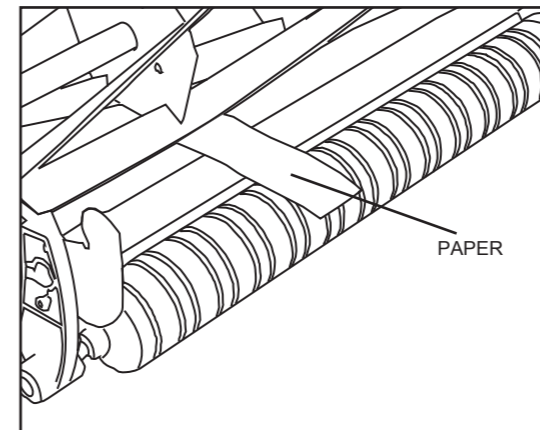
- Always keep the cutting bar properly adjusted. Refer to the instruction manual for further directions.
- Regularly clean and lubricate the cutting edges with light spray oil.
- Keep area to be mowed free from debris to avoid damage of the cutting blades.
- For best results, regularly apply lubricant to mower's cutting surfaces, cutting reel axle shaft and wheels.
- Turn the Cylinder blades until the front edge of the cutter bar blade is polished.

Blade clearance adjustment



WARNING!

- Mower blade are sharp and can cut. Wear gloves and use extra caution when servicing them. Any wheel rotation can cause the blade reel to rotate.
- Do not over-tighten adjustment screw as this could damage cutter bar. Both screws must be tight on final adjustment.



The blade reel is adjusted for proper clearance from the cutting bar at the factory. However, after extended periods of mowing or as part of annual maintenance, it is recommended that the blade clearance be readjusted .

- If blade clearance is too wide, the cutting pattern will be rough and uneven.
- If blade clearance is too narrow, the machine will be noisy and difficult to push while operating.

To adjust blade clearance, proceed as follows:

1. Turn mower upside down.
2. Insert a piece of paper(thickness around 0.12mm) between cutter bar and reel blades, and slowly turn wheel by hand.
3. All blades should slice the paper evenly, along the entire length of the cutter bar while the reel turns smoothly.
4. If mower has an intermittent cut, adjustment should be made to the appropriate side of blades to attain proper cutting action. We've taking sharpening the cutting blade out due to health and safety issues.

Storage and transportation

Storage and transportation



CAUTION!

- Do not place hands in the mower near blades. If grass cuttings are compacted in the blade area, remove using a wood or plastic cleaning tool appropriate for the cleaning of the blades.

1. Clean the exterior of the machine thoroughly using a soft brush and cloth before storing. Do not use water, solvents or polishes.
2. Turn the mower on its side to clean the blade area.
3. Store the mower in a dry place. Do not place other objects on top of the mower during storage.

Troubleshooting

Troubleshooting



WARNING!

- Only perform the steps described within these instructions!

All further inspection, maintenance and repair work must be performed by an authorised service centre or a similarly qualified specialist if you cannot solve the problem yourself!

Suspected malfunctions, disturbances or damages are often due to causes that the user can fix themselves. Therefore check the product using this section. In most cases the problem can be solved quickly.

Problem	Possible cause	Solution
Unsatisfying cutting result	Blade clearance is too wide	Adjust the blade clearance ,refer to maintenance section
Machine is too noisy and difficult to operate	Blade clearance is too narrow	Adjust the blade clearance ,refer to maintenance section

Technical data

Technical data

Cutting width	380mm
Variable cutting heights	15-42mm
Grass collection box Volume	30litres
Weight	8.3kg

Recycling and disposal

Recycling and disposal

1. Recycle unwanted materials instead of disposing of them as waste. All tools, hoses and packaging should be sorted, taken to the local recycling centre and disposed of in an environmentally safe way.
2. Recycle rather than dispose of unwanted material in landfill whenever possible. The machine must be delivered in rigid packaging to avoid damage during transportation. The packaging and the machine itself are manufactured from recyclable materials and should be disposed of accordingly.
3. Do not throw your clippings into a rubbish bin where it will be disposed of in landfill .You can dispose of clippings on your compost heap, alternating then with other garden material. The more thoroughly you chop the clippings beforehand, the more rapidly they will degrade. Alternatively, many communities provide a public collection point where you can dispose of your garden waste in an environmentally friendly manner.
4. Only dispose of electrical/electronic/battery items in separate collection schemes, which cater for the recovery and recycling of materials contained within. Your cooperation is vital to ensure the success of these schemes and for the protection of the environment.
5. Recycle packaging where facilities exist.

Getting Help

Customer Helpline 01904 727500

Our dedicated UK based customer helpline is open 7 days a week to assist you with assembly, parts queries and technical support. We are open during office hours but you can always send an email via support@gardenservicecentre.co.uk. Our experts are here to get you back enjoying your garden in no time.

For useful assembly, starting and maintenance videos and ordering spares please visit www.gardenservicecentre.co.uk.

Calling our service does not affect your statutory rights

UK/Ireland 01904 727500
Monday to Friday 9am – 5pm. Saturday & Sunday 11am – 4pm
www.gardenservicecentre.co.uk
email: support@gardenservicecentre.co.uk

Guarantee

Dear Customer,

In the unlikely event that your device develops a fault, please contact our Customer service department.

1. These guarantee terms cover additional guarantee rights and do not affect your statutory warranty rights. Claims must be accompanied by Proof of Purchase. This must be in the form of a Sales receipt or Bank statement and must show that the product has been purchased within 2 years prior to the claim, from the retailer that it was originally sold to.

2. Our guarantee covers problems caused by material or manufacturing defects, and will result in the repair of these defects or replacement of the device with a like for like or similar article. Please note that our devices have not been designed for use in commercial, trade or industrial applications. Consequently, the guarantee is invalidated if the equipment is used in commercial, trade or industrial applications or for other equivalent activities.

3. The following are also excluded from our guarantee :

- A. Faults due to accidents, customer misuse, or unauthorized repairs
- B. Consumable Parts such as Blades/Spark plugs or Filters
- C. Failure due to lack of routine maintenance.
- D. Failure as a result of not using the equipment in accordance with the manual and safety instructions
- E. The adjustment of cables, drive belts, or recoil starters.

4. The guarantee is valid for a period of 2 years starting from the purchase date of the device. Guarantee claims should be submitted before the end of the guarantee period within two weeks of the defect being noticed. No guarantee claims will be accepted after the end of the guarantee period. The original guarantee period remains applicable to the device even if repairs are carried out or parts are replaced. In such cases, the work performed or parts fitted will not result in an extension of the guarantee period, and no new guarantee will become active for the work performed or parts fitted. This also applies when an on-site service is used.

5. Please keep your sales receipt in a safe place. If the defect is covered by our guarantee your device will either be repaired under the terms of guarantee or we will send you a replacement device. This device may be re-conditioned or like for like replacement.