



18V 5.0AH BATTERY PACK

7862241 (Model: MCBAT18-5)

Important - Please read these instructions fully before using the product

These instructions contain important information that will help you get the best from your product, ensuring it is operated correctly and safely.

If you need help or have damaged or missing parts, call the Customer Helpline on **0345 605 2062**

AFTER SALES SUPPORT
0345 605 2062
SAN NO.: 0321801718ZH

Contents

Safety information	3
Parts list	7
Preparation.....	8
Operation	9
Maintenance	11
Technical data	12
Trouble shooting	13
Guarantee	14

Produced in China for Argos Limited, London, EC1M 6HA, UK.

Argos (N.I.) Ltd, Forestside Shopping Centre, Upper Galwally, Belfast, BT8 6FX, UK.

<https://bit.ly/Coreservice-McGregor>



Safety Information

Important - Please read these instructions fully before operating or maintaining

Explanations and symbols, cautions and warnings



Before use, carefully read through the user manual.



Do not throw into water.



Do not dispose of batteries in a fire. They will explode and cause injury.



Do not subject the battery to strong sunlight over long periods of time. Do not leave on a heater (max. 45°C).



Batteries contain Li-ion. Do not dispose of exhausted batteries in domestic waste. Contact your local authority to find out how to dispose of batteries safely.



The product complies with the applicable European Directives, and an evaluation method of conformity for these directives was done.



The product complies with the applicable UK Directives, and an evaluation method of conformity for these directives was done.



Safety Information

Introduction

Safety warnings

This appliance can be used by persons with reduced physical, sensory or mental capabilities or lack of experience and knowledge if they have been given supervision or instruction concerning use of the appliance in a safe way and understand the hazards involved. Children shall not play with the appliance.



WARNING: Read all safety warnings and instructions. Failure to follow the warnings and instructions may result in an electric shock, fire and/or injury.



WARNING: Only charge the batteries using chargers recommended by Argos. An unauthorized charger may cause fire risks when charging.

Save all warnings and instructions for future reference!

- Do not dismantle, open or shred secondary cells or batteries.
- Do not expose cells or batteries to heat or fire. Avoid storing in direct sunlight.
- Do not short-circuit a cell or a battery. Do not store cells or batteries haphazardly in a box or drawer where they may short circuit each other or be short-circuited by other metal objects.
- Do not remove a cell or battery from its original packaging until required for use.
- Do not subject cells or batteries to mechanical shock.
- In the event of a cell leaking, do not allow the liquid to come in contact with the skin or eyes. If contact



Safety Information

Important - Please read these instructions fully before starting assembly

Safety warnings

has been made, wash the affected area with copious amounts of water and seek medical advice.

- Do not use any charger other than that specifically provided for use with the equipment.
- Observe the plus (+) and minus (–) marks on the cell, battery, equipment and ensure correct use.
- Do not use any cell or battery which is not designed for use with the equipment.
- Do not mix cells of different manufacture, capacity, size or type within a device.
- Battery usage by children should be supervised.
- Seek medical advice immediately if a cell or a battery has been swallowed.
- Always purchase the battery recommended for the device by the manufacturer of the equipment.
- Keep cells and batteries clean and dry.
- Wipe the cell or battery terminals with a clean dry cloth if they become dirty.
- Secondary cells and batteries need to be charged before use. Always use the correct charger and refer to the manufacturer's instructions or equipment manual for proper charging instructions.
- Do not leave a battery on prolonged charge when not in use.
- After extended periods of storage, it may be necessary to charge and discharge the cells or batteries several times to obtain maximum performance.
- Retain the original product literature for future reference.



Safety Information

Important - Please read these instructions fully before starting assembly

Safety warnings

- Use only the cell or battery in the application for which it was intended.
- When possible, remove the battery from the equipment when not in use.
- Dispose of properly.
- The charging temperature is between the range of 5°C to 45°C.
- Only operate and store the battery at an ambient temperature between 0 °C and +40 °C. Do not leave the battery in your car in the summer, for example. At temperatures of < 0 °C, some devices may experience a loss of power.

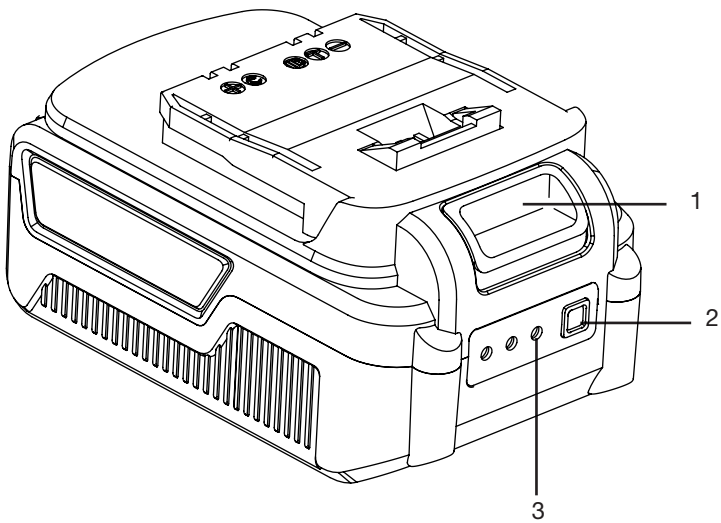
Repair

Never repair damaged battery packs by yourself. Battery packs repair should only be performed by the manufacturer or authorized service providers.

Part List

Parts Description

1. Release button
2. Display button
3. 3 LED lights



Preparation

Step 1 Checking battery capacity

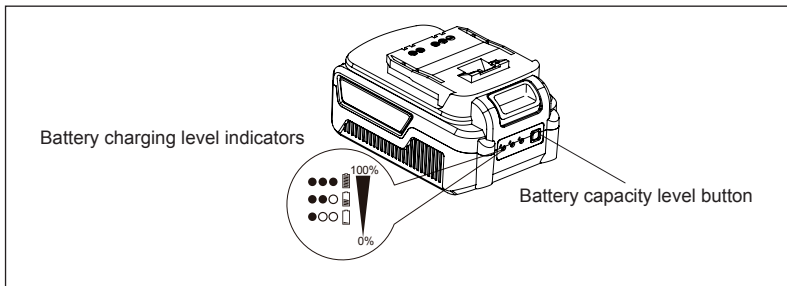


WARNING!

The charger and battery pack are specifically designed to work together so do not attempt to use any other devices. Never insert or allow metallic objects into your charger or battery pack connections; an electrical failure and hazard will occur.

The battery needs to be charged before first use and whenever it fails to produce sufficient power on jobs that were easily done before.

- Press the battery capacity level button to check the charging level of the battery pack. The battery capacity will be shown on the battery charging level indicators.

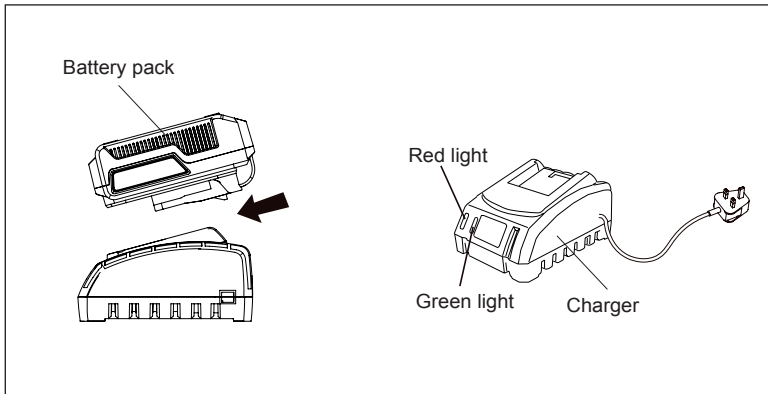


Battery charging level indicators.	Battery capacity
●○○□	≤ 35% and need to be charged
●●○□	35-65%
●●●■	≥ 65%

Operation

Step 1 Charging the battery

- Connect the charger to a power supply. The red LED will illuminate.
- Slide the battery pack into the charger fully, the red indicator is on and the green indicator is flashing means the battery is in charging.
- Complete charging, the red LED is off and the green LED is on.
- Once the battery is fully charged, disconnect the charger from the mains and remove the battery pack from the charger.



B0Q-SP06-20ZB charger LED indicator:

LED Light on Charger (Red & Green)	Charger Status
■ □	Stand by
■ - □	In charging
□ ■	Battery pack is fully charged
- □ (2 times/second)	Battery pack faulty
- □ (1 time/second)	Battery pack overheat



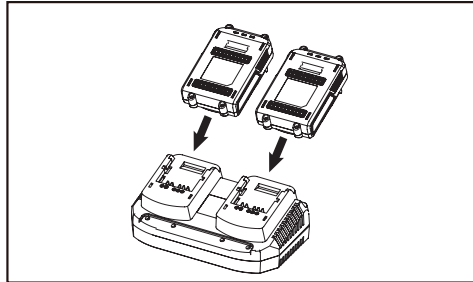
Attention! It can not be charged immediately after using the machine. The battery pack should be cooled for a period of time.



Note: Charging time varies from different battery pack capacities.

Operation

Charging

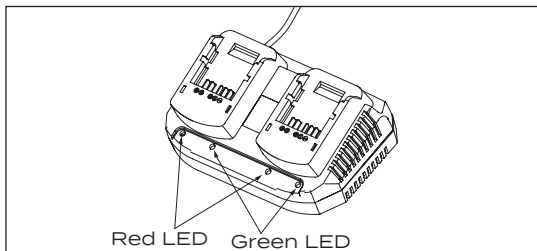


1. Connect the battery pack to the battery charger.
2. Insert the mains plug into the socket. The green charging status LED light will flash. Once the battery pack is completely charged, the green charging status LED is lit continuously, indicating that the charging process is complete.
3. Disconnect the charger from the mains and remove the battery pack from the charger.

B0Q-SP07-2040ZB charger LED indicator:

LED Light on charger (Red & Green)	Charger Status
● ○	Charger standby
○ ☀	Battery pack charging
○ ●	Battery pack fully charged
☀ ☀	Battery pack defect
● ●	Battery pack too cold or warm

60 minutes (charge 1 battery only), 120 minutes (charge 2 batteries together).



Note! It is not recommended to charge the battery pack immediately after using the machine. The battery pack should be cooled for a period of time.

Note! There will be different charging time for different capacity of the battery pack.

Maintenance

Overview of cleaning

- Occasionally clean the ventilation slots and the terminals on the battery using a soft brush that is clean and dry. A significantly reduced operating time after charging indicates that the battery is depleted and must be replaced.
- Never use solvents such as petrol, alcohol and ammonia water, etc., to clean the battery. These solvents may damage the plastic parts.

Storing

The battery has been designed to operate over a long period of time with minimal maintenance. Continuous satisfactory operation depends upon care and regular cleaning.

- If you do not use the product for an extended period, please charge and discharge the battery once every 6 months.
- Do not leave the battery in a vehicle or tool under direct sunlight.
- Protect the battery from moisture and water.

Transport

Lithium-ion batteries are subject to the Dangerous Goods Legislation requirements. The batteries are suitable for road-transport by the user without further restrictions.

When shipping by third parties (e.g.: by air transport or forwarding agency), special requirements on packaging and labelling must be observed. For preparation of the item being shipped, consulting an expert for hazardous material is required.

Dispatch battery packs only when the housing is undamaged. Tape or mask off open contacts and pack up the battery in such a manner that it cannot move around in the packaging. Please also observe the possibility of more detailed national regulations.

Disposal

Do not dispose battery with your household refuse. Dispose battery according to the regulation and requirement of local council.


According to the Waste Batteries and Accumulators Regulations 2009 (SI 2009/890) (as amended), battery packs/batteries that are no longer usable must be collected separately and disposed of in an environmentally friendly manner.

Disposing of the packaging

The packaging consists of cardboard and correspondingly marked sheets that can be recycled. Make these materials available for recycling.

Technical Data

Technical Data Table

Battery pack	
Model	MCBAT18-5
Voltage	18V 
Battery type	Lithium-Ion
Battery capacity	5.0Ah
Fully charging time	2 Hour

Disposal and Recycling

Recycle unwanted materials instead of disposing of them as waste. All tools, hoses and packaging should be sorted, taken to the local recycling centre and disposed of in an environmentally safe way.

Recycle rather than dispose of unwanted material in landfill whenever possible. The battery pack must be delivered in rigid packaging to avoid damage during transportation. The packaging and the battery pack itself are manufactured from recyclable materials and should be disposed of accordingly.

Only dispose of electrical/electronic/battery terms in separate collection schemes, which cater for the recovery and recycling of materials contained within. Your cooperation is vital to ensure the success of these schemes and for the protection of the environment.

Recycle packaging where facilities exist.

This symbol is known as the Crossed out Wheelie Bin Symbol. When this symbol is marked on a product or battery, it means that it should not be disposed of with your general household waste. Some chemicals contained within electrical/electronic products or batteries can be harmful to health.

Troubleshooting

Troubleshooting



Warning

Only perform the steps described within these instructions!

All further inspection, maintenance and repair work must be performed by an authorised service centre or a similarly qualified specialist if you cannot solve the problem yourself!

Disconnect the battery pack from your machine or charger. If the battery from a recently used tool is warm, allow it to cool before making any adjustment.

Fault	Possible cause	Possible solution
Battery fails to charge.	<ul style="list-style-type: none">• Battery not properly inserted into battery charger.• Battery is too hot.• Battery is defective.• Charger is defective.	<ul style="list-style-type: none">• Ensure battery and charger are firmly connected.• If the battery is hot after continuous use in charger, allow it to cool down to room temperature before charging.• Contact the service centre.• Contact the service centre.
Battery has reduced run time.	Battery is too old.	Purchase a new battery pack.

Getting Help

Customer Helpline 0345 605 2062

Our dedicated UK based customer service centre is open 7 days a week to assist you with assembly, parts queries and technical support. We are open during office hours. Our experts are here to get you back enjoying your garden in no time.

Calling our service does not affect your statutory rights.
UK/N.I. 0345 605 2062

Guarantee

Dear Customer,

In the unlikely event that your device develops a fault, please contact our customer service department on the following telephone number shown below (0345 605 2062).

1. These guarantee terms cover additional guarantee rights and do not affect your statutory warranty rights.
Claims must be accompanied by Proof of Purchase. This must be in the form of a sales receipt or bank statement and must show that the product has been purchased within 2 years prior to the claim, from the retailer that it was originally sold to.
2. Our guarantee covers problems caused by material or manufacturing defects, and will result in the repair of these defects or replacement of the device with a like for like or similar article. Please note that our devices have not been designed for use in commercial, trade or industrial applications. Consequently, the guarantee is invalidated if the equipment is used in commercial, trade or industrial applications or for other equivalent activities.
3. The guarantee is valid for a period of 2 year starting from the purchase date of the device. Guarantee claims should be submitted before the end of the guarantee period within two weeks of the defect being noticed. No guarantee claims will be accepted after the end of the guarantee period. The original guarantee period remains applicable to the device even if repairs are carried out or parts are replaced. In such cases, the work performed or parts fitted will not result in an extension of the guarantee period, and no new guarantee will become active for the work performed or parts fitted. This also applies when an on-site Service is used.
4. Please keep your sales receipt in a safe place. If the defect is covered by our guarantee your device will either be repaired under the terms of guarantee or we will send you a replacement device. This device may be re-conditioned or Like for like replacement.