



MCGREGOR

ORIGINAL INSTRUCTION MANUAL



McGregor 41cm CORDLESS HEDGE TRIMMER

4190002 (Model: MCLHT1841)

VI: 10/24



**Important - Please read these
instructions fully before starting assembly**

These instructions contain important information that will help you get the best from your hedge trimmer, ensuring it is assembled correctly and safely. If you need help or have damaged or missing parts, call the Customer Helpline on **0345 605 2062**

**AFTER SALES SUPPORT
0345 605 2062**

SAN NO: 03218AABHO11

Contents

Safety Information	2
Parts list	15
Assembly	16
Preparation	17
Operation.....	21
Maintenance and Storage	23
Troubleshooting.....	25
Technical Data	26
Recycling and Disposal.....	28
Getting Help	28
Warranty	29

Produced in China for Argos Limited, London, EC1N 2HT, UK.

Argos (N.I.) Ltd, Forestside Shopping Centre, Upper Galwally, Belfast, BT8 6FX, UK.

<https://bit.ly/Coreservice-McGregor>

Safety Information

Important - Please read these instructions fully before operating or maintaining

Warning symbols



Wear ear protection



Wear eye protection



Wear protective gloves



Wear protective mask



Read operator's manual



WARNING –Do not expose to rain



DANGER - Keep hands away from blade



Keep a safe distance from the product



Remove the battery pack before any adjustment or maintenance.



The product complies with the applicable European directives and an evaluation method of conformity for these directives was done



Conforms to relevant UK regulatory requirements

Safety Information

Important - Please read these instructions fully before operating or maintaining

Warning symbols



WEEE symbol. Waste electrical products should not be disposed of with household waste. Please recycle where facilities exist. Check with your local authority or retailer for recycling device



The sound power level indicates by L_{WA} in 89 dB

Warning symbols on battery pack



Do not throw into water.



Do not throw on fire.



Do not subject the battery to strong sunlight over long periods of time. Do not leave on a heater (max.45°C).



Li-Ion

Batteries contain Li-ion. Do not dispose of waste batteries in domestic waste. Contact local authority to find out how to dispose of batteries.

Warning symbols on charger



The charger is for indoor use only.



Charger is of protection class II. That means it is equipped with enhanced or double insulation.



Protective 3.15A limited with B0Q-SP06-20ZB.




Read the instruction manual.

 Pole orientation.

Safety Information


Important - Please read these instructions fully before operating or maintaining


Introduction


 **IMPORTANT ! IN ORDER TO OBTAIN THE UTMOST SATISFACTION FROM THIS PRODUCT UPON SETTING IT UP, USING IT, AND MAINTAINING IT, WE RECOMMEND THAT YOU CAREFULLY READ THIS USER MANUAL BEFORE USING THE PRODUCT. PLEASE PAY ATTENTION TO BASIC WARNINGS RELATING TO SAFETY WITHIN THIS MANUAL, AND KEEP THE MANUAL FOR LATER REFERENCE.**


Thank you for choosing our product. Upon designing and manufacturing our products, we place all of our efforts into ensuring an excellent quality that meets the needs of the users.

Intended use

 **IMPORTANT!** The hedge trimmer is designed for cutting and trimming of hedges, bushes and shrubs in domestic gardens.

 **IMPORTANT!** The maximum cutting capacity must be observed. Do not cut branches exceeding the stated maximum capacity.

 **IMPORTANT!** The appliance is suitable for the private use in the garden only, not for continuous employment in the commercial use.

 **IMPORTANT!** This appliance is not intended for use by persons (including children) with reduced physical, sensory or mental capabilities, unless they have been given supervision or instruction concerning the use of the appliance by a person responsible for their safety.

Safety Information

Important - Please read these instructions fully before operating or maintaining

Safety warning

- This product is not intended for use by persons (including children) with reduced physical, sensory or mental capabilities, or lack of experience and knowledge, unless they have been given supervision or instruction concerning use of the product by a person responsible for their safety.
- Children should be supervised to ensure that they do not play with the product.

General machine safety warnings



WARNING! Read all safety warnings, instructions, illustrations and specifications provided with this machine.

Failure to follow all instructions listed below may result in electric shock, fire and/or serious injury.

Save all warnings and instructions for future reference.

The term "machine" in the warnings refers to your mains-operated (corded) machine or battery-operated (cordless) machine.

Work area safety

- Keep work area clean and well lit. Cluttered or dark areas invite accidents.
- Do not operate machines in explosive atmospheres, such as in the presence of flammable liquids, gases or dust. Machines create sparks which may ignite the dust or fumes.
- Keep children and bystanders away while operating a machine. Distractions can cause you to lose control.

Safety Information

Important - Please read these instructions fully before starting assembly

Electrical safety

- Machine plugs must match the outlet. Never modify the plug in any way. Do not use any adapter plugs with earthed (grounded) machines. Unmodified plugs and matching outlets will reduce risk of electric shock.
- Avoid body contact with earthed or grounded surfaces, such as pipes, radiators, ranges and refrigerators. There is an increased risk of electric shock if your body is earthed or grounded.
- Do not expose machines to rain or wet conditions. Water entering a machine will increase the risk of electric shock.
- Do not abuse the cord. Never use the cord for carrying, pulling or unplugging the machine. Keep cord away from heat, oil, sharp edges or moving parts. Damaged or entangled cords increase the risk of electric shock.
- When operating a machine outdoors, use an extension cord suitable for outdoor use. Use of a cord suitable for outdoor use reduces the risk of electric shock.
- If operating a machine in a damp location is unavoidable, use a residual current device (RCD) protected supply. Use of an RCD reduces the risk of electric shock.

Personal Safety

- Stay alert, watch what you are doing and use common sense when operating a machine. Do not use a machine while you are tired or under the influence of drugs, alcohol or medication. A moment of inattention while operating machines may result in serious personal injury.
- Use personal protective equipment. Always wear eye protection. Protective equipment such as a dust mask, non-skid safety shoes, hard hat or hearing protection

Safety Information

Important - Please read these instructions fully before operating or maintaining

Personal Safety

used for appropriate conditions will reduce personal injuries.

- Prevent unintentional starting. Ensure the switch is in the off-position before connecting to power source and/or battery pack, picking up or carrying the tool. Carrying machines with your finger on the switch or energising machines that have the switch on invites accidents.
- Remove any adjusting key or wrench before turning the machine on. A wrench or a key left attached to a rotating part of the machine may result in personal injury.
- Do not overreach. Keep proper footing and balance at all times. This enables better control of the machine in unexpected situations
- Dress properly. Do not wear loose clothing or jewellery. Keep your hair and clothing away from moving parts. Loose clothes, jewellery or long hair can be caught in moving parts.
- If devices are provided for the connection of dust extraction and collection facilities, ensure these are connected and properly used. Use of dust collection can reduce dust-related hazards.
- Do not let familiarity gained from frequent use of tools allow you to become complacent and ignore tool safety principles. A careless action can cause severe injury within a fraction of a second.

Machine use and care

- Do not force the machine. Use the correct machine for your application. The correct machine will do the job better and safer at the rate for which it was designed.
- Do not use the machine if the switch does not turn it on and off. Any machine that cannot be controlled with the switch is dangerous and must be repaired.

Safety Information

Important - Please read these instructions fully before operating or maintaining

Machine use and care

- Disconnect the plug from the power source and/ or remove the battery pack, if detachable, from the machine before making any adjustments, changing accessories, or storing machines. Such preventive safety measures reduce the risk of starting the machine accidentally.
- Store idle machines out of the reach of children and do not allow persons unfamiliar with the machine or these instructions to operate the machine. Machines are dangerous in the hands of untrained users.
- Maintain machines and accessories. Check for misalignment or binding of moving parts, breakage of parts and any other condition that may affect the machine's operation. If damaged, have the machine repaired before use. Many accidents are caused by poorly maintained machines.
- Keep cutting tools sharp and clean. Properly maintained cutting tools with sharp cutting edges are less likely to bind and are easier to control.
- Use the machine, accessories and tool bits etc. in accordance with these instructions, taking into account the working conditions and the work to be performed. Use of the machine for operations different from those intended could result in a hazardous situation.
- Keep handles and grasping surfaces dry, clean and free from oil and grease. Slippery handles and grasping surfaces do not allow for safe handling and control of the tool in unexpected situations.

Safety Information

Important - Please read these instructions fully before operating or maintaining

Battery tool use and care

- Recharge only with the charger specified by the manufacturer. A charger that is suitable for one type of battery pack may create a risk of fire when used with another battery pack.
- Use machines only with specifically designated battery packs. Use of any other battery packs may create a risk of injury and fire.
- When battery pack is not in use, keep it away from other metal objects, like paper clips, coins, keys, nails, screws or other small metal objects, that can make a connection from one terminal to another. Shorting the battery terminals together may cause burns or a fire.
- Under abusive conditions, liquid may be ejected from the battery; avoid contact. If contact accidentally occurs, flush with water. If liquid contacts eyes, additionally seek medical help. Liquid ejected from the battery may cause irritation or burns.
- Do not use a battery pack or tool that is damaged or modified. Damaged or modified batteries may exhibit unpredictable behaviour resulting in fire, explosion or risk of injury.
- Do not expose a battery pack or tool to fire or excessive temperature. Exposure to fire or temperature above 130 °C may cause explosion.
- Follow all charging instructions and do not charge the battery pack or tool outside the temperature range specified in the instructions. Charging improperly or at temperatures outside the specified range may damage the battery and increase the risk of fire.

Service

- Have your machine serviced by a qualified repair person using only genuine replacement parts. This will ensure that the safety of the machine is maintained.

Safety Information

Important - Please read these instructions fully before operating or maintaining

Service

- Never service damaged battery packs. Service of battery packs should only be performed by the manufacturer or authorized service providers.

Hedge trimmer safety warnings

- Keep all parts of the body away from the blade. Do not remove cut material or hold material to be cut when blades are moving. Blades continue to move after the switch is turned off. A moment of inattention while operating the hedge trimmer may result in serious personal injury.
- Carry the hedge trimmer by the handle with the blade stopped and taking care not to operate any power switch. Proper carrying of the hedge trimmer will decrease the risk of inadvertent starting and resultant personal injury from the blades.
- When transporting or storing the hedge trimmer, always fit the blade cover. Proper handling of the hedge trimmer will decrease the risk of personal injury from the blades.
- When clearing jammed material or servicing the unit, make sure all power switches are off and the lock-off is in the locked position and the battery pack is removed or disconnected. Unexpected actuation of the hedge trimmer while clearing jammed material or servicing may result in serious personal injury.
- Hold the hedge trimmer by insulated gripping surfaces only, because the blade may contact hidden wiring. Blades contacting a "live" wire may make exposed metal parts of the hedge trimmer "live" and could give the operator an electric shock.
- Keep all power cords and cables away from cutting area. Power cords or cables may be hidden in hedges or bushes and can be accidentally cut by the blade.

Safety Information

Important - Please read these instructions fully before operating or maintaining

Hedge trimmer safety warnings

- Do not use the hedge trimmer in bad weather conditions, especially when there is a risk of lightning. This decreases the risk of being struck by lightning.

Additional safety warnings for hedge trimmer

- Keep hands and feet away from the cutting devices at all times and especially when switching the product on. Check the hedges and bushes for foreign objects, e.g. wire fences and hidden wiring;
- Do not try to grasp or remove trimmings when the product is running. Only remove trimmings when the product is switched off and remove the battery pack.
- Never hold the product by the guard. Hold the hedge trimmer properly, e.g. with both hands if two handles are provided;
- Always be sure of a safe and secure operating position, whilst using the product. Always be sure of your footing when using steps and when using your product.
- Never use the product standing on steps or a ladder. Do not work over shoulder height.
- Always ensure the safety guard supplied is fitted before using the product. Never attempt to use an incomplete product or one fitted with an unauthorized modification.
- Check cutting device regularly for damage, and if damaged repair immediately.
- Do not overload the product.
- Check immediately if the product starts to vibrate abnormally. Excessive vibration can cause injury.
- Switch the product off when the cutting device is blocked. Remove the battery pack and clear the blockage. Inspect the cutting device for damage before using the product again.
- Follow the maintenance and repair instructions for this product. Never carry out any modifications of the

Safety Information

Important - Please read these instructions fully before operating or maintaining

Additional safety warnings for hedge trimmer

product. Information about maintenance and repair is provided in this user manual.

- Know how to stop the product quickly in an emergency.
- Do not expose to rain. Do not operate the product on a wet hedge.
- Use the product only in daylight or good artificial light.
- Prolonged use of the product exposes the user to vibrations that can cause a range of conditions collectively known as hand-arm vibration syndrome (HAVS) e.g. fingers going white; as well as specific diseases such as carpal tunnel syndrome.
- To reduce this risk when using the product, always wear protective gloves and keep your hands warm.
- The symptoms of HAVS include any combination of the following: Tingling and numbness in the fingers; Not being able to feel things properly; Loss of strength in the hands; Fingers going white (blanching) and becoming red and painful on recovery (particularly in the cold and wet, and probably only in the tips at first). Seek medical advice immediately if such symptoms are experienced.

Maintenance and storage

- Disconnect the product from the power supply (i.e. remove the plug from the power supply or the battery pack) and check for damage after use.
- Disconnect the product from the power supply (i.e. remove the plug from the power supply or the battery pack) before carrying out maintenance or cleaning work.
- Use only the manufacturer's recommended replacement parts and accessories.

Safety Information

Important - Please read these instructions fully before operating or maintaining

Maintenance and storage

- Inspect and maintain the product regularly. Have the product repaired only by an authorised service centre or similar qualified specialist.
- When not in use, store the product out of the reach of children.

Vibration and noise reduction

To reduce the impact of noise and vibration emission, limit the time of operation, use low-vibration and low-noise operating modes as well as wear personal protective equipment.

Take the following points into account to minimize the vibration and noise exposure risks:

- Only use the product as intended by its design and these instructions.
- Ensure that the product is in good condition and well maintained.
- Use correct application tools for the product and ensure they in good condition.
- Keep tight grip on the handles/gripping surface.
- Maintain this product in accordance with these instructions and keep it well lubricated (where appropriate).
- Plan your work schedule to spread any high vibration tool use across a longer period of time.

Safety Information

Important - Please read these instructions fully before operating or maintaining

Emergency

Familiarise yourself with the use of this product by means of this instruction manual. Memorise the safety directions and follow them to the letter. This will help to prevent risks and hazards.

- **Always be alert when using this product, so that you can recognise and handle risks early.** Fast intervention can prevent serious injury and damage to property.
- **Switch off and disconnect from the power supply if there is any malfunction.** Have the product checked by a qualified specialist and repaired, if necessary, before you put it into operation again.

Residual risks

Even if you are operating this product in accordance with all the safety requirements, potential risks of injury and damage remain. The following dangers can arise in connection with the structure and design of this product:

- Health defects resulting from vibration emission if the product is being used over long periods of time or not adequately managed and properly maintained.
- Injuries and damage to property due to broken application tools or the sudden impact of hidden objects during use.
- Danger of injury and property damage caused by flying objects.

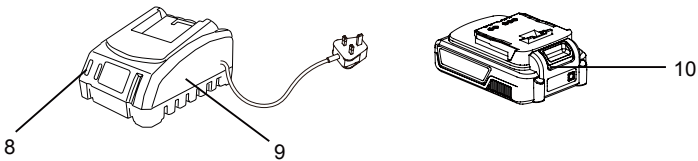
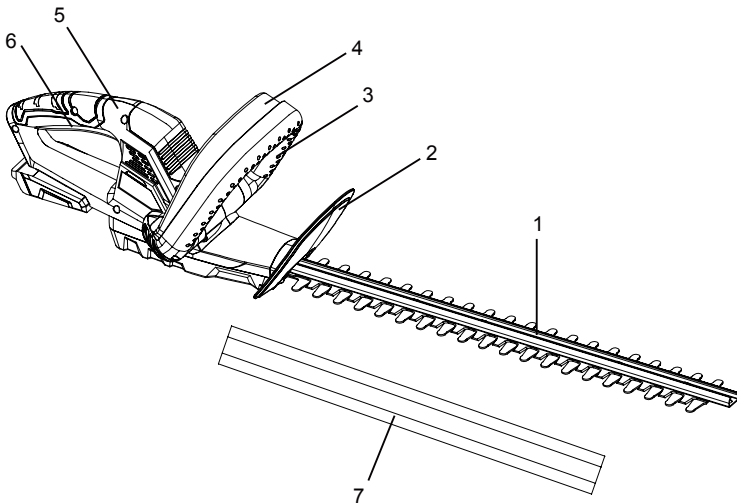


WARNING! This product produces an electromagnetic field during operation! This field may under some circumstances interfere with active or passive medical implants! To reduce the risk of serious or fatal injury, we recommend persons with medical implants to consult their doctor and the medical implant manufacturer before operating this product!

Parts list

Parts description

- | | |
|----------------------|---------------------------|
| 1. Blade | 6. ON/OFF switch |
| 2. Safety hand guard | 7. Blade sheath |
| 3. Front handle | 8. LED charging indicator |
| 4. Safety switch | 9. Charger |
| 5. Rear handle | 10. Battery pack |



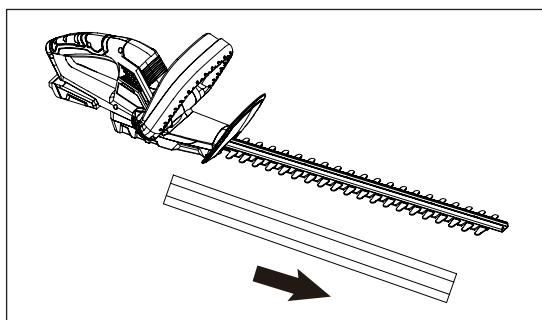
Assembly

Unpacking

- Unpack all parts and lay them on a flat, stable surface.
- Remove all packing materials and shipping devices if applicable.
- Make sure the delivery contents are complete and free of any damage. If you find that parts are missing or show damage, do not use the product but contact the aftersales service within 28 days of purchase. Using an incomplete or damaged product represents a hazard to people and property.
- Ensure that you have all the accessories and tools needed for assembly and operation. This also includes suitable personal protective equipment.



Note! This hedge trimmer is fully assembled. There is no additional assembly except battery pack before using.



Before using please remove the blade sheath.



Note! This hedge trimmer is fully assembled. There is no additional assembly needed.

Preparation

Checking battery capacity



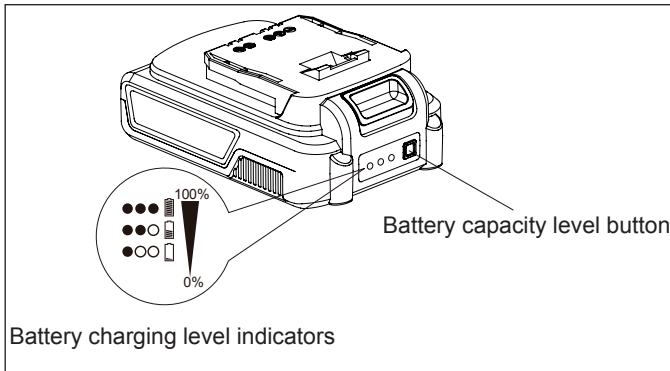
WARNING!

The charger and battery pack are specifically designed to work together so do not attempt to use any other devices. Never insert or allow metallic objects into your charger or battery pack connections; an electrical failure and hazard will occur.

The battery needs to be charged before first use and whenever it fails to produce sufficient power on jobs that were easily done before.

- Press the battery capacity level button to check the charging level of the battery pack. The battery capacity will be shown on the battery charging level indicators.

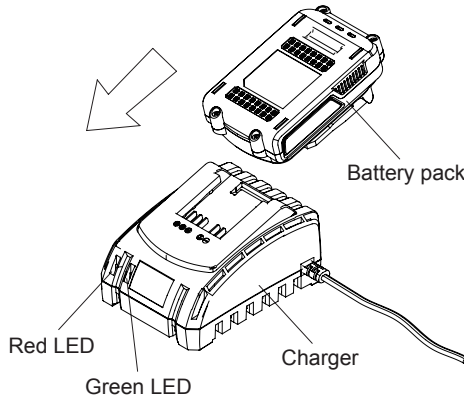
Battery charging level indicators.	Battery capacity
●○○□	≤ 35% and need to be charged
●●○□	35-65%
●●●■	≥ 65%



Preparation

Charging the battery

- Connect the charger to a power supply. The red LED will illuminate.
- Slide the battery pack into the charger fully, the red indicator is on and the green indicator is flashing means the battery is in charging.
- Complete charging, the red LED is off and the green LED is on.
- Once the battery is fully charged, disconnect the charger from the mains and remove the battery pack from the charger.



LED Light on Charger(Red & Green)	Charger Status
■ □	Stand by
■ □ (flashing)	In charging
□ ■	Battery pack is fully charged
■ □ (2 times/second)	Battery pack faulty
■ □ (1 time/second)	Battery pack overheat

NOTE

Note! It is not recommended to charge the battery pack immediately after using the machine. The battery pack should be cooled for a period of time.

NOTE

Note! Charging time varies from different battery pack capacities.

Preparation

Important charging notes

1. Never allow the battery to completely discharge before recharging. The battery pack should be placed on the charger whenever the battery pack is noticeably running down or the tool no longer performs a task it previously performed.
2. Avoid conducting short charges. Make sure that the battery is fully charged each time by allowing the charger to complete its full charging cycle.
3. Avoid allowing loose items like screws or nails, etc., to be stored with battery packs, as these or similar items can short battery packs and cause a fire or explosion.
4. Always unplug the charger when not in use and store in a dry and secure place.
5. Avoid charging or storing your battery in temperatures below 0°C and above 40°C.
6. After use, allow the battery pack to cool down for approximately 30 minutes before attempting to recharge.
If the battery pack does not charge properly:
 - Check the main socket by plugging in a lamp or other appliance.
 - Move the charger and battery pack to a location where the surrounding air temperature is approximately 18-24°C.
 - If charging problems persist, please contact service centre at 0345 605 2062.
7. The battery pack should be recharged when it fails to produce sufficient power on jobs which were easily done before. **DO NOT CONTINUE** to use under these conditions. Follow the charging procedure. You may also charge a partially used pack whenever you desire with no adverse effect on the battery pack.
8. Under certain conditions with the charger plugged into the power supply, the exposed charging contacts inside the charger can be shorted by foreign materials. Foreign materials of a conductive nature, such as, but not limited to, steel wool, aluminium foil, or any build-up of metallic particles, should be kept away from charger cavities. Always unplug the charger from the power supply when there is no battery pack in the cavity. Unplug the charger before attempting to clean.
9. Do not immerse the charger in water or any other liquid.



WARNING!

Never attempt to open the battery pack for any reason. If the plastic housing of the battery pack breaks or cracks, dispose of the battery pack in accordance with local regulations; do not put it into further use.

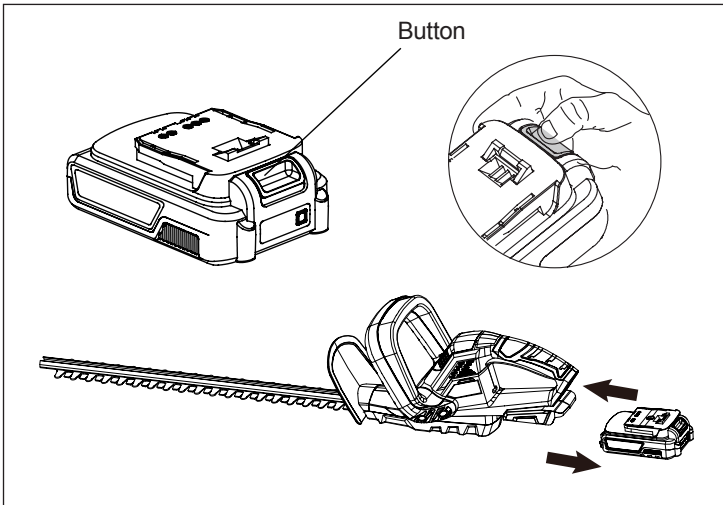
Preparation

Installing the battery pack



WARNING! Always release the On/Off switch before inserting or removing the battery pack.

1. Remove the battery pack: Press the button on the end of the battery pack, then remove the pack from the trimmer.
2. Install the battery pack: Align the ribs on both sides of the battery pack with the slots in the housing, and slip it into place. Always insert it all the way until it locks in place with a click sound. If it's not correctly inserted, it may accidentally fall out of the trimmer, causing injury to you or bystanders.



Operation

Switching on/off



WARNING!

If any parts are missing, damaged or broken, do not operate your hedge trimmer until all damaged parts have been replaced or repaired. Failure to do so could result in serious personal injury.

For your safety, this tool is equipped with a dual safety-switch system. This system prevents starting the tool inadvertently, and will only allow operation while holding the tool with both hands.

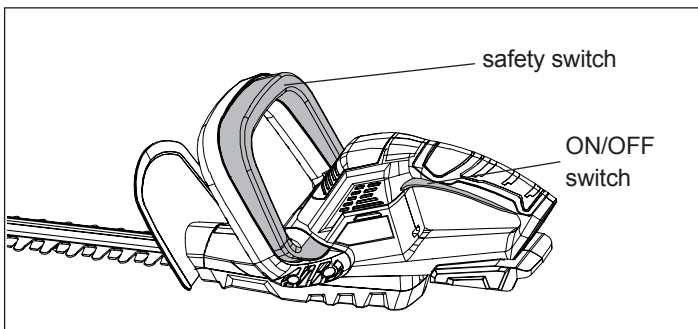
Switch ON

Hold the product with one hand at the rear handle and the other at the front handle.

Press the ON/OFF switch and the front handle safety switch at the same time to switch the product on.

Switch OFF

Release the front handle safety switch or the ON/OFF switch .



Operation

Cutting the hedge

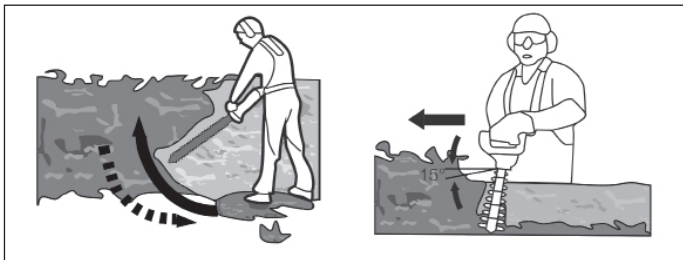


WARNING!

Before using this hedge trimmer, make sure that you have read all of the safety instructions.

When operating the unit, check for the following:

- Wear eye protection and appropriate clothing (PPE).
- Hold the front handle with one hand and the rear handle with the other hand.
- When trimming, the blade should be tilted towards the hedge. Always trim from the bottom upwards.
- Trim the sides of the hedge first and then trim the top.
- If the branches are very long, they should be cut back in several stages.
- Make sure that there are no hard objects in the hedge, such as railings, that could damage the blade.
- If the blade becomes jammed, switch it off and remove the battery pack before clearing the obstruction.
- Do not force the hedge trimmer to cut oversized branches. These should be cut by hand using secateurs or shears.



NOTE

Note! Evergreen hedges and shrubs that retain their leaves in the winter, should be trimmed in April and August.

Conifers and other fast growing shrubs can be trimmed every six weeks from May onwards, throughout the growing season.

Please consider nesting birds/animals before trimming hedge.

Maintenance and Storage

Maintenance



WARNING!

This product does not contain any parts that can be repaired by the consumer. Contact an authorised service centre or a similarly qualified person to have it checked and repaired.



WARNING!

Always switch the product off, remove battery pack and let the product cool down before performing inspection, maintenance and cleaning work!

General cleaning

- Regular and proper cleaning will help ensure safe use and prolong the life of the product.
- Inspect the product before each use for worn and damaged parts. Do not operate it if you find broken and worn parts.
- Keep all nuts, bolts and screws tight to be sure that the product is in safe working condition.
- Check that the guards are undamaged and correctly fitted. Carry out necessary maintenance or repairs before using.

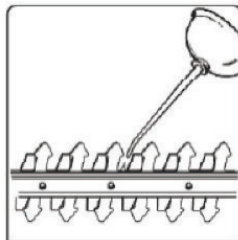
Blade maintenance



WARNING!

Wear safety gloves when working on blades and close to it! Use appropriate tools to remove debris, e.g. a brush or wooden stick! Never use your bare hands!

- Keep the blades clean and free of debris. Remove trimmings.
- Apply a small amount of suitable lubricant, like gear grease, on the cutting device to retain a good cutting performance.



Maintenance and Storage

Storage and transport

This product does not contain any parts that can be repaired by the consumer. Contact the after sales support if you have any queries.

- After cleaning the unit thoroughly. Store the unit in a safe, dry room, allowing the motor to cool down beforehand.
- Store the product out of the reach of children.
- Use the original packaging whenever possible.
- Always carry the product by its handles/gripping surfaces.
- Protect the product from any heavy impact or strong vibrations which may occur during transportation in vehicles.
- Secure the product to prevent it from slipping or falling over.

Troubleshooting




Troubleshooting

Although your new cordless hedge trimmer is really easy to operate, if you do experience problems, please check the following:

Problem	Possible Cause	Solution
Hedge trimmer does not operate	1. Not connected to battery pack 2. Low battery capacity	1. Connect to battery pack 2. Charge the battery pack
Hedge trimmer operates intermittently	1. Internal wiring damaged 2. On/Off switch defective	Contact service centre at 0345 605 2062
Cutting blade hot	1. Cutting blade dull 2. Cutting blade is damaged 3. Too much friction, due to lack of lubricant	1. Have blade sharpened. 2. Have blade inspected/ overhauled 3. Apply lubricant spray
Cutting time per battery too low	1. Too much friction, due to lack of lubricant 2. Blade needs cleaning 3. Battery not fully charged	1. Apply lubricant spray 2. Clean blade 3. Recharge battery; also see "Charging The Battery"
The blades are running slow	1. Battery discharged 2. Battery stored outside of battery temperature	1. Recharge battery; also see "Charging The Battery" 2. Allow battery to warm naturally to room temperature (within battery operating temperature 10–40 °C)
Battery charge indicator(a) does not light up	1. Mains plug of battery charger not plugged in (properly) 2. Socket outlet, mains cable or battery charger defective	1. Insert mains plug (fully) into the socket outlet 2. Contact service centre at 0345 605 2062

Technical data

Technical data table

Model No.	MCLHT1841
Voltage	18V 
No load speed	1400/min
Cutting length	410mm
Tooth gap	14mm
Battery pack	
Model No.	B0P-SP07-20ZM
Battery voltage	18V 
Battery type	Li-Ion
Battery capacity	2.0Ah
Fully charge time (approx.)	1 hour
Charger	
Model no.	B0Q-SP06-20ZB
Input	220-240V~ 50/60Hz 65W
Output	20V  2.4A
Insulation protection class	II
Noise and vibration data	
A weighted sound pressure	82dB(A) K=3dB(A)
Measured sound power	85.87dB(A) K=0.94dB(A)
The guaranteed sound power level	89dB(A)
Typical weighted vibration	1.89m/s ² K=1.5m/s ²

Part Number	Accessories
AABH011001	Blade cover
AABH011024	Protection cover
0240228006	Battery pack
ABBA021044	Charger

Technical data

Technical Data Table



WARNING!

The sound values have been determined according to the noise test code given in EN 62841-1, using the basic standards EN ISO 11094 and EN ISO 3744. The sound intensity level for the operator may exceed 80dB(A) and ear protection measures are necessary.

The declared vibration value (according to EN 62841-1) has been measured in accordance with a standard test method, and may be used for comparing one product with another. The declared vibration value may also be used in a preliminary assessment of exposure.

Depending on the actual use of the product, the vibration values can differ from the declared total. Adopt proper measures to protect yourself against vibration exposures.

Take the whole work process into consideration, including times the product is running under no load or switched off.



WARNING!

This tool may cause Hand-Arm Vibration Syndrome (HAVS) if its use is not adequately managed.

Preventative measures include, among others, regular maintenance and care of the product and cutting attachments, keeping hands warm and periodical breaks, as well as proper planning of work processes.

Recycling and Disposal

Recycling and disposal



The product comes in a package that protects it against damage during shipping. Keep the packaging until you are sure that all parts have been delivered and the product is functioning properly. Recycle the packaging afterwards.

Old products are potentially recyclable and do not, therefore, belong in your household waste. You are requested to assist us and our contribution to saving resources and protecting the environment by handing this product at an equipped collection centre.

Getting Help

Customer Helpline 0345 605 2062

Our dedicated UK based customer service centre is open 7 days a week to assist you with assembly, parts queries and technical support. We are open during office hours. Our experts are here to get you back enjoying your garden in no time.

Calling our service does not affect your statutory rights.

UK/N.I. 0345 605 2062

Warranty

Dear Customer,

In the unlikely event that your product develops a fault, please contact our Customer service department on the telephone number shown below.

1. These warranty terms cover additional warranty rights and do not affect your statutory warranty rights. Claims must be accompanied by proof of purchase. This must be in the form of a sales receipt or bank statement and must show that the product has been purchased within 2 year prior to the claim, from the retailer that it was originally sold to.
2. Our warranty covers problems caused by material or manufacturing defects, and will result in the repair of these defects or replacement of the product with a like for like or similar article. Please note that our product have not been designed for use in commercial, trade or industrial applications. Consequently, the warranty is invalidated if the equipment is used in commercial, trade or industrial applications or for other equivalent activities.
3. The following are also excluded from our warranty:
 - A. Faults due to accidents, customer misuse or unauthorised repairs
 - B. Consumable parts such as shoulder strap, blade cover and other accessories that are compatible with the product.
 - C. Failure due to lack of routine maintenance.
 - D. Failure as a result of not using the equipment in accordance with the manual and safety instructions
 - E. The adjustment of chargers, or battery packs
4. The warranty is valid for a period of 2 year starting from the purchase date of the product. Warranty claims should be submitted before the end of the warranty period within two weeks of the defect being noticed. No warranty claims will be accepted after the end of the warranty period. The original guarantee period remains applicable to the product even if repairs are carried out or parts are replaced. In such cases, the work performed or parts fitted will not result in an extension of the warranty period, and no new warranty will become active for the work performed or parts fitted. This also applies when an on-site Service is used.
5. Please keep your sales receipt in a safe place. If the defect is covered by our warranty your product will either be repaired under the terms of warranty or we will send you a replacement product. This product may be re-conditioned or like for like replacement.