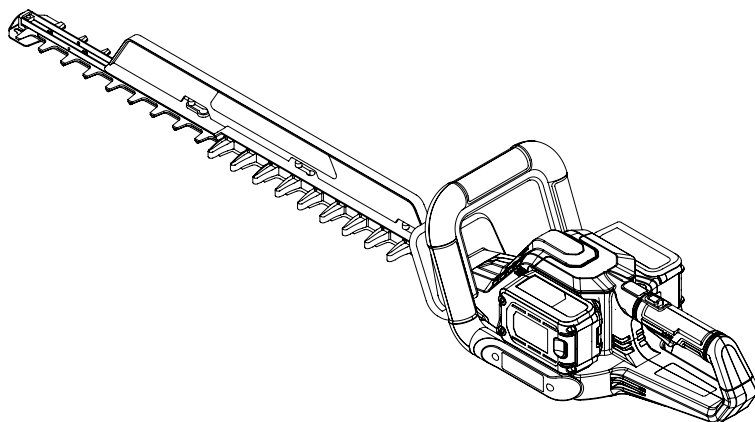


GB

## 40 V CORDLESS HEDGE TRIMMER

Original Instructions



**READ & UNDERSTAND INSTRUCTION MANUAL**

Save all warnings and instructions for future reference.



SCAN FOR WHATSAPP SUPPORT



# YARD FORCE

## LH C65 Original Instructions

### CONTENT

Intended use	04
Safety	04
Symbols	12
Technical data	17
Description of product	18
Installation	19
Operation	20
Maintenance and storage	26
Troubleshooting	27
Declaration of conformity	28
Disposal	30

## INTENDED USE

This cordless hedge trimmer is designed for cutting and trimming of hedges, bushes and ornamental shrub in the domestic environment.

For safety reasons it is essential to read the entire instruction manual before first operation and to observe all the instructions.

This product is intended for private domestic use only, not for any commercial trade use. It must not be used for any purposes other than those described.

## SAFETY

The following signal words are used in this operating manual.

### **WARNING!**

This signal symbol/word denotes a hazard with an average risk level that could lead to death or severe injury if it is not avoided.

### **NOTE!**

This signal word provides a warning about potential material damage.

## TRAINING

1. Read the instructions carefully. Make yourself familiar with the controls and the proper use of the machine.
2. Never allow people who are not familiar with these instructions or children to use the machine. Local regulations may limit the age of the user.
3. It must be noted that the user is responsible for accidents or hazards towards other people or their property.

# SAFETY

## WORK AREA SAFETY

1. Keep work area clean and well lit. Cluttered or dark areas invite accidents.
2. Do not operate power tools in explosive atmospheres, such as in the presence of flammable liquids, gases or dust. Power tools create sparks which may ignite the dust or fumes.
3. Keep children and bystanders away while operating a power tool. Distractions can cause you to lose control.

## PERSONAL SAFETY

1. Stay alert, watch what you are doing and use common sense when operating a power tool. Do not use a power tool while you are tired or under the influence of drugs, alcohol or medication. A moment of inattention while operating power tools may result in serious personal injury.
2. Use personal protective equipment. Always wear eye protection. Protective equipment such as dust mask, non-skid safety shoes, hard hat, or hearing protection used for appropriate conditions will reduce personal injuries.
3. Prevent unintentional starting. Ensure the switch is in the off-position before connecting to power source and/or battery pack, picking up or carrying the tool. Carrying power tools with your finger on the switch or energizing power tools that have the switch on invites accidents.
4. Remove any adjusting key or wrench before turning the power tool on. A wrench or a key left attached to a rotating part of the power tool may result in personal injury.
5. Do not overreach. Keep proper footing and balance at all times. This enables better control of the power tool in unexpected situations.

## **SAFETY**

6. Dress properly. Do not wear loose clothing or jewellery. Keep your hair, clothing and gloves away from moving parts. Loose clothes, jewellery or long hair can be caught in moving parts.
7. If devices are provided for the connection of dust extraction and collection facilities, ensure these are connected and properly used. Use of dust collection can reduce dust-related hazards.

## **POWER TOOL USE AND CARE**

1. Do not force the power tool. Use the correct power tool for your application. The correct power tool will do the job better and safer at the rate for which it was designed.
2. Do not use the power tool if the switch does not turn it on and off. Any power tool that cannot be controlled with the switch is dangerous and must be repaired.
3. Disconnect the plug from the power source and/or the battery pack from the power tool before making any adjustments, changing accessories, or storing power tools. Such preventive safety measures reduce the risk of starting the power tool accidentally.
4. Store idle power tools out of the reach of children and do not allow persons unfamiliar with the power tool or these instructions to operate the power tool. Power tools are dangerous in the hands of untrained users.
5. Maintain power tools. Check for misalignment or binding of moving parts, breakage of parts and any other condition that may affect the power tool's operation. If damaged, have the power tool repaired before use. Many accidents are caused by poorly maintained power tools.
6. Keep cutting tools sharp and clean. Properly maintained

## **SAFETY**

cutting tools with sharp cutting edges are less likely to bind and are easier to control.

7. Use the power tool, accessories and tool bits etc. in accordance with these instructions, taking into account the working conditions and the work to be performed. Use of the power tool for operations different from those intended could result in a hazardous situation.

### **ELECTRICAL SAFETY**

1. Power tool plugs must match the outlet. Never modify the plug in any way. Do not use any adapter plugs with earthed (grounded) power tools. Unmodified plugs and matching outlets will reduce risk of electric shock.
2. Avoid body contact with earthed or grounded surfaces, such as pipes, radiators, ranges and refrigerators. There is an increased risk of electric shock if your body is earthed or grounded.
3. Do not expose power tools to rain or wet conditions. Water entering a power tool will increase the risk of electric shock.
4. Do not abuse the cord. Never use the cord for carrying, pulling or unplugging the power tool. Keep cord away from heat, oil, sharp edges or moving parts. Damaged or entangled cords increase the risk of electric shock.
5. When operating a power tool outdoors, use an extension cord suitable for outdoor use. Use of a cord suitable for outdoor use reduces the risk of electric shock.
6. If operating a power tool in a damp location is unavoidable, use a residual current device (RCD) protected supply. Use of an RCD reduces the risk of electric shock.

## **SAFETY**

**NOTE:** The term “residual current device(RCD)” may be replaced by the term “ground fault circuit interrupter (GFCI)” or “earth leakage circuit breaker(ELCB)”

### **BATTERY TOOL USE AND CARE**

1. Recharge only with the charger specified by the manufacturer. A charger that is suitable for one type of battery pack may create a risk of fire when used with another battery pack.
2. Use power tools only with specifically designated battery packs. Use of any other battery packs may create a risk of injury and fire.
3. When battery pack is not in use, keep it away from other metal objects, like paper clips, coins, keys, nails, screws or other small metal objects that can make a connection from one terminal to another. Shorting the battery terminals together may cause burns or a fire.
4. Under abusive conditions, liquid may be ejected from the battery; avoid contact. If contact accidentally occurs, flush with water. If liquid contact eyes, additionally seek medical help. Liquid ejected from the battery may cause irritation or burns.

### **SPECIAL SAFETY INSTRUCTIONS**

1. Keep all parts of the body away from the cutter blade. Do not remove cut material or hold material to be cut when blades are moving. Make sure the switch is off when clearing jammed material. A moment of inattention while operating the hedge trimmer may result in serious personal injury.
2. Carry the hedge trimmer by the handle with the cutter

## SAFETY

blade stopped. When transporting or storing the hedge trimmer always fit the cutting device cover. Proper handling of the hedge trimmer will reduce possible personal injury from the cutter blades.

3. Hold the power tool by insulated gripping surfaces only, because the cutter blade may contact hidden wiring. Cutter blades contacting a “live” wire may make exposed metal parts of the power tool “live” and could give the operator an electric shock.
4. Keep cable away from cutting area. During operation the cable may be hidden in shrubs and can be accidentally cut by the blade.
5. Check the hedge for foreign objects before operating, e.g. wire fences.
6. Only use the hedge trimmer with the guard properly assembled. The use of the hedge trimmer without the proper guard may result in serious personal injury!
7. Use both hands when operating the hedge trimmer. Using one hand could cause loss of control and result in serious personal injury.
8. Do not grasp the exposed cutting blades or cutting edges when picking up or holding the hedge trimmer.
9. Do not use on a ladder, rooftop, tree, or other unstable support. Stable footing on a solid surface enables better control of the hedge trimmer in unexpected situations.
10. Never allow children to operate the hedge trimmer.
11. Never remove or tamper with safety devices. Check their proper operation regularly. Never do anything to interfere with the intended function of a safety device or to reduce the protection provided by a safety device.
12. Never operate the hedge trimmer without proper guards,

## SAFETY

plates, or other safety protective devices in place.

13. Check damaged parts before further use of the hedge trimmer. A guard or other part that is damaged should be carefully checked to determine that it will operate properly and perform its intended function. Check for alignment of moving parts, binding of moving parts, breakage of parts, mounting, and any other condition that may affect its operation. A guard or other part that is damaged should be properly repaired or replaced by an authorized service center unless indicated elsewhere in this manual.
14. Check the blade and motor mounting bolts at frequent intervals for proper tightness. Also, visually inspect blade for damage (e.g., bent, cracked, and worn).
15. Replace the blade if it is bent or cracked. An unbalanced blade causes vibration that could damage the motor drive unit or cause personal injury.
16. If the equipment should start to vibrate abnormally, stop the motor and check immediately for the cause. Vibration is generally a warning of trouble.
17. The trimmer shall be used to cut stems less than (30 mm) thick.
18. Do not wash with a hose; avoid getting water in motor and electrical connections.
19. Keep handles dry, clean and free from oil and grease.

## MAINTENANCE

1. Before conducting any maintenance on the device, make sure the battery has been removed.
2. Before conducting any maintenance on the device, disconnect the mains plug.

## **SAFETY**

3. Only those maintenance and fault elimination tasks described here may be carried out. Any other tasks must be completed by a specialist.
4. Only use original replacement parts. Only these replacement parts are designed and suitable for the device. Other replacement parts will not only lead to an invalidation of the warranty, they may also endanger you and your environment.

## SYMBOLS

### SAFETY SYMBOLS

The purpose of safety symbols is to attract your attention to any possible dangers. The safety symbols and their explanations deserve your careful attention and full understanding. The symbol warnings do not, by themselves, eliminate any danger. The instructions and warnings they give are no substitute for proper accident prevention measures.



**WARNING:** Be sure to read and understand all safety instructions within this operator's manual, including all safety alert symbols such as "**DANGER**", "**WARNING**", and "**CAUTION**" before using this tool. Failure to follow all instructions listed below may result in electric shock, fire and/or serious personal injury.

**SAFETY ALERT SYMBOLS:** Indicate **DANGER**, **WARNING**, or **CAUTION**. May be used in conjunction with other symbols or pictographs.

### SYMBOL MEANINGS

This page depicts and describes safety symbols that may appear on this product. Read, fully understand and follow all instructions on the appliance before attempting to assemble and operate.

## SYMBOLS

### WARNING SYMBOLS ON THE APPLIANCE



Caution! Read the user manual prior to start-up!



Declaration of conformity (see chapter “Declaration of conformity”): Products marked with this symbol meet all the applicable Community regulations of the European Economic Area.



Conforms to relevant UK regulatory requirements.



Keep bystanders away. Objects thrown by the product could hit the user or other bystanders. Always ensure that other people and pets remain at a safe distance from the product when it is in operation.



Danger-Keep hands away from blades. Contact with blade will result in serious personal injury.



Disconnect the battery pack before any repair or maintenance.



Remove disabling device before performing any maintenance tasks.

## SYMBOLS



To avoid potential electric shock, do not use the unit in humid or wet conditions.



When working with the device, wear eye and ear protection.



Wear sturdy shoes when working with the device.



Wear protective gloves when working with the device.



Wear tightly fitting clothing when working with the device.




Guaranteed sound power level value is 92 dB




WEEE symbol. Waste electrical products should not be disposed of with household waste. Please recycle where facilities exist. Check with your Local Authority or local store for recycling guidelines.

## SYMBOLS

### WARNING SYMBOLS ON THE APPLIANCE

 Declaration of conformity (see chapter “Declaration of conformity”): Products marked with this symbol meet all the applicable Community regulations of the European Economic Area.

 Conforms to relevant UK regulatory requirements.



To reduce the risk of injury, user must read the instruction manual carefully.



Do not throw into water.



Do not throw on to fire.



Do not subject the battery to strong sunlight over long periods of time. Do not leave on a heater (max.45°C).



Li-Ion


Batteries contain Li-ion. Do not dispose of waste batteries in domestic waste. Contact local authority to find out how to dispose of batteries.




WEEE symbol. Waste electrical products should not be disposed of with household waste. Please recycle where facilities exist. Check with your Local Authority or local store for recycling advice.

## SYMBOLS

### WARNING SYMBOLS ON THE CHARGER

 Declaration of conformity (see chapter “Declaration of conformity”): Products marked with this symbol meet all the applicable Community regulations of the European Economic Area.

 Conforms to relevant UK regulatory requirements.



To reduce the risk of injury, user must read the instruction manual carefully.



The charger is for indoor use only.



Double insulation



WEEE symbol. Waste electrical products should not be disposed of with household waste.



Please recycle where facilities exist. Check with your Local Authority or local store for recycling advice.



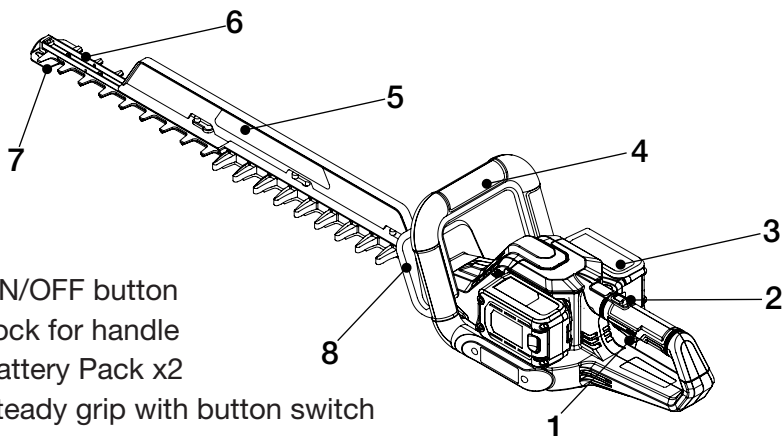
Protective 5 A limited

## TECHNICAL DATA

<b>MODEL</b>	<b>LH C65</b>
Nominal voltage	40V $\overline{\text{---}}$
No load speed	2700 rpm
Max. cutting capacity	30 mm
Blade length	720mm
Weight	XXXX kg
Measured sound power level ( $L_{WA}$ )	88 dB(A), K = 3.0 dB(A)
Guaranteed sound power level ( $L_{WA}$ )	92 dB(A)
Vibration	2.320 m/s <sup>2</sup> ; K = 1.5 m/s <sup>2</sup>
Battery Pack Model	B0P-SP06-20ZL
Battery Capacity	20V $\overline{\text{---}}$ 4.0Ah
Battery Charger Model	VDE: B0Q-SP06-20ZA BS: B0Q-SP06-20ZB
Input	220-240V AC 50/60Hz 120W
Output	21V $\overline{\text{---}}$ 4A
BS Plug	250V~ 3A
Fuse for BS Plug	3A
Power Cord	H03VVH2-F 2x0.5mm <sup>2</sup>
Protection Class	II

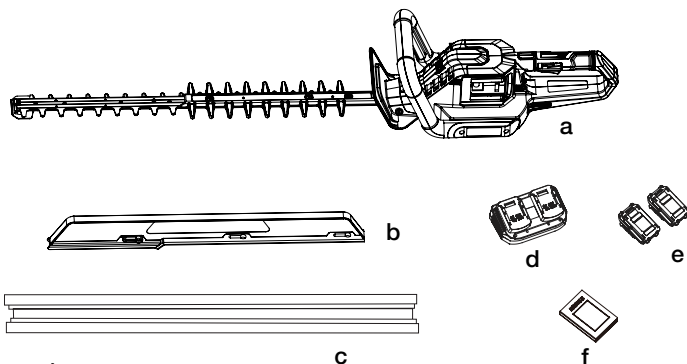
## DESCRIPTION OF PRODUCT

### PARTS DESCRIPTION



1. ON/OFF button
2. Lock for handle
3. Battery Pack x2
4. Steady grip with button switch
5. Cutting collector
6. Blade
7. Impact guard
8. Hand guard

### THE DELIVERY PARTS



- a. Cordless trimmer
- b. Cutting collector
- c. Cutter guard
- d. Charger
- e. Battery x2
- f. Instruction

## INSTALLATION



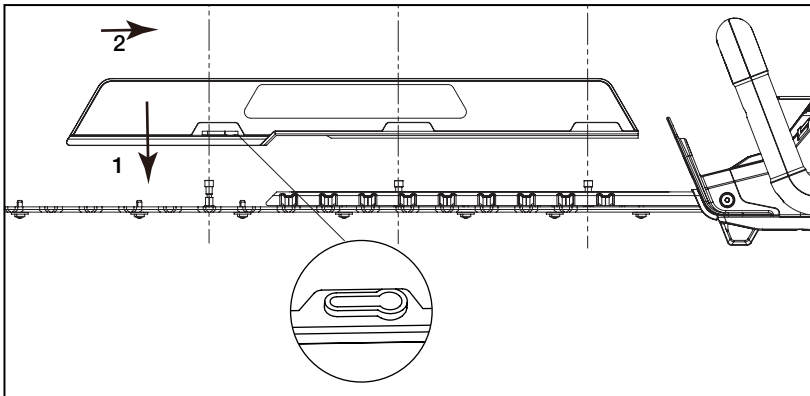
**NOTE:** The hedge trimmer is supplied fully assembled.

### INSTALLING CUTTING COLLECTOR



**NOTE:** For horizontal cutting, it is recommended to install cutting collector.

1. Place the collecting collector on the blade guide with three holes passing through the retaining pins on the blade guide and keeping it level with the blade guide.
2. Push the collecting collector towards the handle until it is firmly locked under the retaining pins.



## OPERATION

### CHARGING THE BATTERY PACK



**NOTE:** Remove the battery pack from the charger after it has been fully charged.

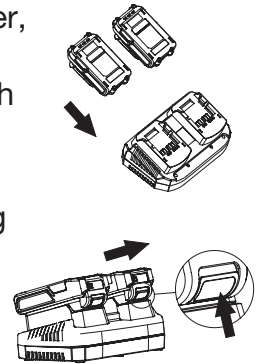


**NOTE:** Battery should be fully charged before first use.



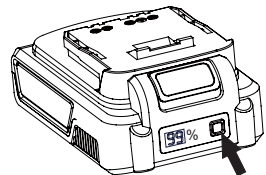
**NOTE:** Make sure the mains voltage is the same as rating label which is located on the charger.

1. Connect the charger to a power supply.  
Red LED will light up.
2. To insert the battery pack into the charger, align the raised ribs of the battery pack with the grooves of the charger then push it in.
3. The red LED light of the charger will light up followed by green flashing light during the charging.
4. After charging is complete, the charger light will turn to a solid green light.
5. Once the battery is fully charged, depress the battery release button and then remove the battery pack.



### POWER INDICATOR

This Li-Ion battery pack is equipped with a power indicator which is used to show the battery packs remaining charge. Press the power indicator button to check battery charge as picture shown. The indicator will stay lit for approximately 4 seconds.



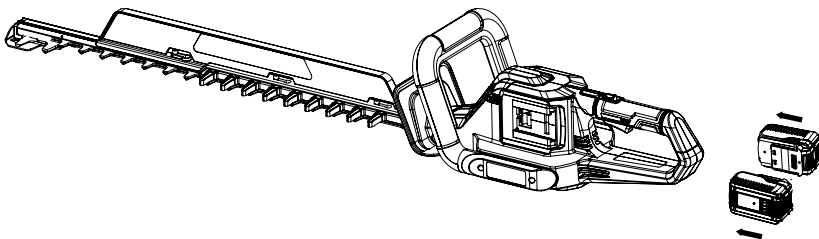
## OPERATION

### TO OBTAIN THE BEST LIFE FROM THE BATTERY

1. Never allow the battery to completely discharge before recharging. The battery pack should be placed on the charger whenever the battery pack is noticeably running down or the tool no longer performs a task it previously performed.
2. Avoid conducting short charges. Make sure that the battery is fully charged each time by allowing the charger to complete its full charging cycle.
3. Avoid allowing loose items like screws or nails etc. to be stored with battery packs as these or similar items can short battery packs and cause a fire or explosion.
4. Always unplug the charger when not in use and store in a dry and secure place.
5. Avoid charging or storing your battery in temperatures below 5°C and above 45°C.
6. After use, allow the battery pack to cool down for approximately 30 minutes before attempting to recharge.

### TO INSERT THE BATTERY PACK

1. Align the groove on the battery pack with the corresponding ribs in the receptacle of the device.
2. Insert the battery pack with moderate force until it locks in to place.



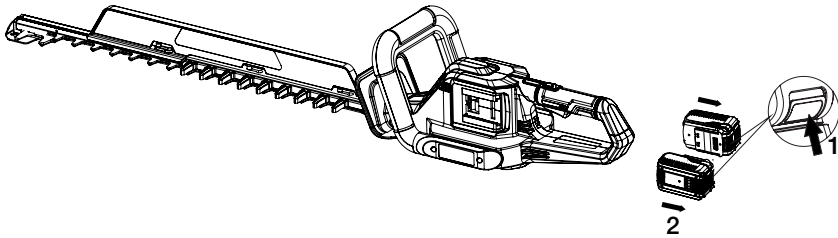
## OPERATION



**WARNING!** Only use Yardforce 20V original battery pack!

### TO REMOVE THE BATTERY PACK FROM THE TOOL

1. Press the battery pack release button.
2. Remove the battery pack from the tool.



### CHECK BEFORE STARTING!



**WARNING!** The device must only be put into operation if no faults are found. If any part of the device is defective, it must be replaced before the next use.

Check the safety equipment and the safe condition of the device.

- Check all parts to make sure they fit tightly.
- Check whether there are visible defects: broken parts, cracks, etc.

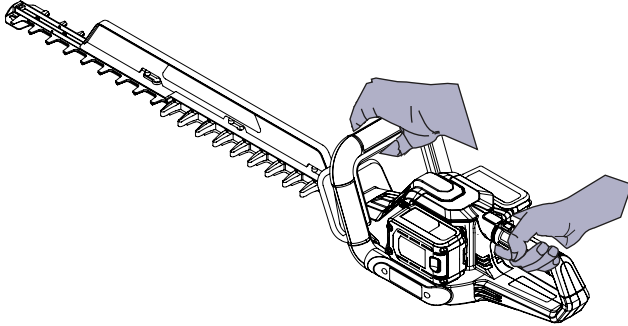
### STARTING/STOPPING THE HEDGE TRIMMER

Before operating, remove the blade guard and hold the trimmer with both hands, one hand on the rear handle and the other on the front handle. Then check for balanced footing, upright standing and a proper cutting distance.

## OPERATION

### TO START

Depress and hold the front switch lever and continue pressing the rear switch lever to start.



### TO STOP

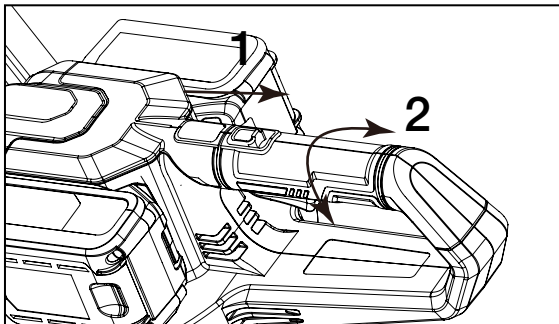
Release either of the switch levers to stop it.



**NOTE:** Both switch levers need to be pressed for the hedge trimmer to start.

### ROTATABLE HANDLE

1. Pull the lock for handle, then rotate the handle to select the desired position.
2. To return to the original position, pull the lock for handle, then rotate the handle to its original position.



## OPERATION

### CUTTING TIPS



**WARNING:** To prevent serious personal injury, keep hands away from blades. Do not attempt to remove cut material or hold material to be cut when the blades are moving. Make sure that the blades have totally stopped and the battery pack is removed before clearing jammed material from blades. Do not grasp the exposed cutting blades or cutting edges when picking up or holding the unit.



**WARNING:** Clear the area to be cut before each use. Remove all objects, such as cords, lights, wire, or string which can become entangled in the cutting blade and create a risk of serious personal injury.



**WARNING:** Avoid trimming too much at one time or through the heavy shrubbery. This can cause the blades to bind and slow, reducing the cutting efficiency.

### TOP CUTTING

Use a wide sweeping motion. A slight downward tilt of the cutting blades in the direction of motion gives the best cutting results. For better cutting effect, you might as well use the string to guide the hedge level.

### SIDE CUTTING

When trimming the sides of the hedge, begin at the bottom and cut upwards.

## MAINTENANCE AND STORAGE



**WARNING!** Switch off the product and disconnect the batteries before all cleaning and maintenance work. Wait until all moving parts are completely stopped.

### CLEANING THE DEVICE

1. Use a soft brush to remove debris from all air intakes and cutting blade.
2. To remove pitch and other sticky residue, spray the blades with resin solvent. Run the motor briefly so that the solvent is evenly distributed.
3. Wipe the surface with a dry cloth.

### MAINTENANCE

1. Keep all nuts, bolts and screws tight to be sure that the machine is in safe working condition.
2. Examine the machine and replace worn or damaged parts for safety.
3. Check that the guards are undamaged and correctly fitted. Carry out necessary maintenance or repairs before using.
4. Do not use the unit if the blades are blunt or worn. This will overstress the motor and gearbox of the machine.

### LUBRICATING THE BLADE

For best operation and longer blade life, lubricate the hedge trimmer blade with light weight machine oil before and after each use.

Remove the battery pack and lay the trimmer onto a flat surface.

Apply the oil along the edge of the top blade.

## MAINTENANCE AND STORAGE

### STORAGE



**WARNING!** Make sure that unauthorized persons do not have access to the device!

1. Store the device in a dry place.
2. Remove the battery packs from the machine and full recharge these before storage.

### TRANSPORT

1. Always place the blade guard on the blade before storing or transporting the hedge trimmer. Use caution to avoid the sharp teeth of the blade.
2. Clean the hedge trimmer thoroughly before storing.
3. Store the hedge trimmer indoors, in a dry place that is inaccessible to children.
4. Keep away from corrosive agents such as garden chemicals and deicing salts.

## TROUBLESHOOTING



**WARNING!** Only perform the steps described in these instructions! All further inspection, maintenance and repair work must be performed by a qualified specialist! Contact a specialist if the problem cannot be solved by yourself!



**WARNING!** The product does not perform properly, or sound are abnormal, or motor cannot be started, or stopped as described, or the cutting device does not work properly, or any other irregularity, or malfunction occurs, do not attempt to repair the product by yourself. Please contact helpline or service center.



**WARNING!** Before carrying out any maintenance operations, remove the battery pack.

Problem	Possible cause	Solution
Product is not running.	No electrical contact between the trimmer and battery.	Remove battery, check contacts and reinstall the battery pack.
	The battery pack is depleted.	Charge the battery pack.
	The two switch levers are not depressed simultaneously.	Depress the switch levers on the front and rear handle simultaneously.
	The battery pack is too hot.	Remove the battery pack from the tool and allow it to cool until the temperature drops below 45°C.

# DECLARATION OF CONFORMITY

## Declaration of Conformity

We  
**MEROTEC GmbH**  
Otto-Brenner-Str. 8, D-47877 Willich, Germany  
Herewith declare under our own, sole responsibility that our product:

Declare that the product:  
**Machine Description: 40V CORDLESS HEDGE TRIMMER**  
**Model No. LH C65/RLHT40D**  
**Function: Trimming of hedges bushes**

### Complies with the following directives:

2006/42/EC Machinery Directive  
2014/30/EU EMC Directive  
2000/14/EC Noise Directive, amended by 2005/88/EC  
Conformity assessment procedure: 2000/14/EC Annex V  
Measured sound power level  $L_{WA} = 88$  dB(A)  $K=3$  dB(A)  
Guaranteed sound power level  $L_{WA} = 92$  dB(A)  
2011/65/EU RoHS

### Applied harmonized standards:

#### For Appliance

EN 62841-1:2015+A11:2022  
EN 62841-4-2:2019+A11:2022  
EN IEC 55014-1:2021  
EN IEC 55014-2:2021

#### For Charger:

EN 60335-1:2012+A11+A13+A14+A2+A15  
EN 60335-2-29:2021+A1  
N 62233: 2008  
EN IEC 55014-1: 2021  
EN IEC 55014-2: 2021  
EN IEC 61000-3-2: 2019+A1  
EN 61000-3-3: 2013+A1+A2

MEROTEC GmbH  
Otto-Brenner-Str. 8  
D-47877 Willich  
Place, date: Willich, 28.10.2025



Authorized Signature: \_\_\_\_\_  
Ronald Menken  
General Manager



# DECLARATION OF CONFORMITY

To the provisions of Council Directives

We  
SUMEC UK

Unit A&B Escrick Business Park Escrick, York YO19 6 FD/ United Kingdom

Declare that the product:

Machine Description: 40V CORDLESS HEDGE TRIMMER

Model No. LH C65/RLHT40D

Function: Trimming of hedges bushes

**Complies with the essential health and safety requirements of the following directives:**

Supply of Machinery (Safety) Regulations 2008

Electromagnetic Compatibility Regulations 2016

The Restriction of the Use of Certain Hazardous Substances in Electrical and Electronic Equipment Regulations 2012

Noise Emission in the Environment by Equipment for use Outdoors Regulations 2001

Measured Sound Power Level: 88 dB (A) K=3 dB(A)

Declared Guaranteed Sound Power Level: 92 dB (A)

**Standards and technical specification referred to :**

**For Appliance**

EN 62841-1:2015+A11:2022

EN 62841-4-2:2019+A11:2022

EN IEC 55014-1:2021

EN IEC 55014-2:2021

**For Charger:**

EN 60335-1:2012+A11+A13+A1+A14+A2+A15

EN 60335-2-29:2021+A1

N 62233: 2008

EN IEC 55014-1: 2021

EN IEC 55014-2: 2021


EN IEC 61000-3-2: 2019+A1

EN 61000-3-3: 2013+A1+A2

Authorized Signatory

Date: 28.10.2025

Signature: \_\_\_\_\_



Place: York

Name: Mariana Hall

General Manager

SUMEC UK

Unit A&B Escrick Business Park Escrick

York YO19 6 FD, United Kingdom



## DISPOSAL

### DISPOSING OF PACKAGING

Dispose of packaging according to type. Sort the paperboard and cardboard as waste paper and the film as recyclable material.

### DISPOSING OF THE APPLIANCE

Applicable in the European Union and other European countries with systems for separate collections of recyclable waste.



This symbol indicates that this product may not be disposed of together with domestic waste in compliance with the (2012/19/EU) Regulation pertaining to waste electrical and electronic devices (WEEE). This product must be handed in at a collection point intended for the purpose. This can occur, for example, by handing it in at an authorized collecting point for the recycling of waste electrical and electronic equipment. Owing to potentially hazardous substances that are frequently contained in waste electronic equipment, incorrect handling of waste equipment may have a negative impact on the environment and on the health of human beings. By disposing of this product correctly, you are also contributing towards an efficient use of natural resources. Information on collecting points for waste equipment can be obtained from your local authority, an authorized institution for the disposal of waste electrical and electronic equipment or the waste collection services.