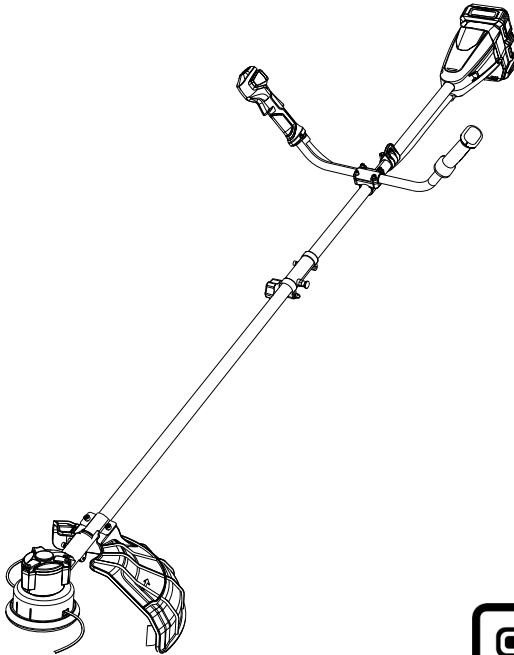


GB

## 40 V CORDLESS BRUSH CUTTER AND GRASS TRIMMER

Original Instructions



**READ & UNDERSTAND INSTRUCTION MANUAL**

Save all warnings and instructions for future reference.



**SCAN FOR WHATSAPP SUPPORT**



# YARD FORCE

## LT C38 Original Instructions

### CONTENT

Intended use	04
Safety	04
Symbols	13
Technical data	18
Description of product	19
Installation	20
Operation	24
Maintenance and storage	34
Troubleshooting	38
Declaration of conformity	40
Disposal	42

## INTENDED USE

This cordless hedge trimmer is designed for cutting and trimming of hedges, bushes and ornamental shrub in the domestic environment.

For safety reasons it is essential to read the entire instruction manual before first operation and to observe all the instructions.

This product is intended for private domestic use only, not for any commercial trade use. It must not be used for any purposes other than those described.

## SAFETY

The following signal words are used in this operating manual.

### **WARNING!**

This signal symbol/word denotes a hazard with an average risk level that could lead to death or severe injury if it is not avoided.

### **NOTE!**

This signal word provides a warning about potential material damage.

## TRAINING

1. Read the instructions carefully. Make yourself familiar with the controls and the proper use of the machine.
2. Never allow people who are not familiar with these instructions or children to use the machine. Local regulations may limit the age of the user.
3. It must be noted that the user is responsible for accidents or hazards towards other people or their property.

# SAFETY

## WORK AREA SAFETY

1. Keep work area clean and well lit. Cluttered or dark areas invite accidents.
2. Do not operate power tools in explosive atmospheres, such as in the presence of flammable liquids, gases or dust. Power tools create sparks which may ignite the dust or fumes.
3. Keep children and bystanders away while operating a power tool. Distractions can cause you to lose control.

## PERSONAL SAFETY

1. Stay alert, watch what you are doing and use common sense when operating a power tool. Do not use a power tool while you are tired or under the influence of drugs, alcohol or medication. A moment of inattention while operating power tools may result in serious personal injury.
2. Use personal protective equipment. Always wear eye protection. Protective equipment such as dust mask, non-skid safety shoes, hard hat, or hearing protection used for appropriate conditions will reduce personal injuries.
3. Prevent unintentional starting. Ensure the switch is in the off-position before connecting to power source and/or battery pack, picking up or carrying the tool. Carrying power tools with your finger on the switch or energizing power tools that have the switch on invites accidents.
4. Remove any adjusting key or wrench before turning the power tool on. A wrench or a key left attached to a rotating part of the power tool may result in personal injury.
5. Do not overreach. Keep proper footing and balance at all times. This enables better control of the power tool in unexpected situations.

## **SAFETY**

6. Dress properly. Do not wear loose clothing or jewelry. Keep your hair, clothing and gloves away from moving parts. Loose clothes, jewelry or long hair can be caught in moving parts.
7. If devices are provided for the connection of dust extraction and collection facilities, ensure these are connected and properly used. Use of dust collection can reduce dust-related hazards.

## **POWER TOOL USE AND CARE**

1. Do not force the power tool. Use the correct power tool for your application. The correct power tool will do the job better and safer at the rate for which it was designed.
2. Do not use the power tool if the switch does not turn it on and off. Any power tool that cannot be controlled with the switch is dangerous and must be repaired.
3. Disconnect the plug from the power source and/or the battery pack from the power tool before making any adjustments, changing accessories, or storing power tools. Such preventive safety measures reduce the risk of starting the power tool accidentally.
4. Store idle power tools out of the reach of children and do not allow persons unfamiliar with the power tool or these instructions to operate the power tool. Power tools are dangerous in the hands of untrained users.
5. Maintain power tools. Check for misalignment or binding of moving parts, breakage of parts and any other condition that may affect the power tool's operation. If damaged, have the power tool repaired before use. Many accidents are caused by poorly maintained power tools.
6. Keep cutting tools sharp and clean. Properly maintained

## **SAFETY**

cutting tools with sharp cutting edges are less likely to bind and are easier to control.

7. Use the power tool, accessories and tool bits etc. in accordance with these instructions, taking into account the working conditions and the work to be performed. Use of the power tool for operations different from those intended could result in a hazardous situation.

### **ELECTRICAL SAFETY**

1. Power tool plugs must match the outlet. Never modify the plug in any way. Do not use any adapter plugs with earthed (grounded) power tools. Unmodified plugs and matching outlets will reduce risk of electric shock.
2. Avoid body contact with earthed or grounded surfaces, such as pipes, radiators, ranges and refrigerators. There is an increased risk of electric shock if your body is earthed or grounded.
3. Do not expose power tools to rain or wet conditions. Water entering a power tool will increase the risk of electric shock.
4. Do not abuse the cord. Never use the cord for carrying, pulling or unplugging the power tool. Keep cord away from heat, oil, sharp edges or moving parts. Damaged or entangled cords increase the risk of electric shock.
5. When operating a power tool outdoors, use an extension cord suitable for outdoor use. Use of a cord suitable for outdoor use reduces the risk of electric shock.
6. If operating a power tool in a damp location is unavoidable, use a residual current device (RCD) protected supply. Use of an RCD reduces the risk of electric shock.

## **SAFETY**

**NOTE:** The term “residual current device(RCD)” may be replaced by the term “ground fault circuit interrupter (GFCI)” or “earth leakage circuit breaker(ELCB)”

### **FOR LINE TRIMMER SAFETY**

1. Some regions have regulations that restrict the use of the product. Check with your local authority for advice.
2. Never allow children or people unfamiliar with the instructions to use the product.
3. Use the product in daylight or good artificial light.
4. Avoid using on wet grass.
5. Do not walk backwards when using the product.
6. Keep firm footing and balance. Do not overreach. Overreaching can result in loss of balance. Always be sure of your footing on slopes. Walk, never run.
7. Do not operate the product when there is a risk of lightning.
8. Do not expose the product to rain or wet conditions. Water entering an appliance will increase the risk of electric shock.
9. Keep bystanders, children and pets 15 m away from the area of operation, stop the product if anyone enters the area.
10. Keep the cutting attachment below waist level.
11. Never operate the product with damaged guards or without guards in place.
12. Never fit a metal replacement line.
13. Keep hands and feet away from the cutting means at all times, especially when switching on the motor.
14. Beware, the cutting elements continue to rotate after the

## SAFETY

motor is switched off.

15. Beware of objects thrown by the cutting means. Clear debris like small stones, gravel and other foreign objects from the work area before starting operation. Wires or string may become entangled with the cutting means.
16. Switch off and disconnect from the power supply before:
  - servicing
  - leaving the product unattended
  - cleaning your product or clearing a blockage
  - changing accessories
  - checking for any damage after hitting an object
  - checking for any damage if the product
  - starts to vibrate abnormally
  - performing maintenance
  - removing blade
  - installing blade
17. The small blade fitted to the lawn guard is designed to trim the new extended line to the correct length for safe and optimum performance. It is very sharp; do not touch it, particularly when cleaning the product.
18. Always ensure that ventilation openings are kept clear of debris.
19. Make sure the cutting head attachment is properly installed and securely fastened.
20. Make sure all guards, deflectors and handles are properly and securely attached.
21. Do not modify the product in any way. This may increase the risk of injury to yourself or others.
22. Use only the manufacturer's replacement cutting line. Do not use any other cutting attachment.

## **SAFETY**

23. Immediately switch off and disconnect from the mains in the event of accident or breakdown. Don't operate the product again until it has been fully checked by an authorized service center.

### **FOR BURSH CUTTER SAFETY**

1. In addition to the above rules, these additional instructions are appropriate when using the product in brush cutter mode.
2. Use heavy-duty gloves while installing or removing blades, they have sharp edges.
3. Do not attempt to touch or stop the blade when it is rotating.
4. A moving blade can cause severe injury. Maintain proper control of the machine with both hands until the blade has completely stopped rotating.
5. Replace any blade that has been damaged. Always make sure blade is installed correctly and securely fastened before each use.
6. Use only the manufacturer's replacement Tri-Arc blade. Do not use any other cutting attachment.
7. Never cut any material over 13 mm in diameter.
8. Your brush cutter is fitted with a harness. Carefully adjust the harness to fit comfortably and help to support the weight of the machine at your right side.
9. Identify the Quick Release mechanism and practice using it before you start using the product. Its correct use may prevent serious injury in case of an emergency Never wear additional clothing over the harness or otherwise that restrict access to the quick-release mechanism.
10. Cover the blade with the blade protector before storing

## SAFETY

the unit, or during transportation. Always remove the blade protector before using the unit. If not removed, the blade protector could become a thrown object as the blade begins to turn.

11. Exercise extreme caution when using the blade with this product. Blade thrust is the reaction that may occur when the spinning blade contacts anything it cannot cut. This contact may cause the blade to stop for an instant, and suddenly “thrust” the unit away from the object that was hit. This reaction can be violent enough to cause the operator to lose control of the unit. Blade thrust may occur without warning if the blade snags, stalls, or binds. This is more likely to occur in areas where it is difficult to see the material being cut.
12. For cutting ease and safety, approach the weeds being cut from the right to the left. In the event that an unexpected object or woody stock is encountered, this practice could minimize the blade thrust reaction. Both hands must be used at all times to control this product.

## BATTERY TOOL USE AND CARE

1. Recharge only with the charger specified by the manufacturer. A charger that is suitable for one type of battery pack may create a risk of fire when used with another battery pack.
2. Use power tools only with specifically designated battery packs. Use of any other battery packs may create a risk of injury and fire.
3. When battery pack is not in use, keep it away from other metal objects, like paper clips, coins, keys, nails, screws or other small metal objects that can make a connection from one terminal to another. Shorting the battery terminals

## **SAFETY**

together may cause burns or a fire.

4. Under abusive conditions, liquid may be ejected from the battery; avoid contact. If contact accidentally occurs, flush with water. If liquid contact eyes, additionally seek medical help. Liquid ejected from the battery may cause irritation or burns.

## **MAINTENANCE**

1. Before conducting any maintenance on the device, make sure the battery has been removed.
2. Before conducting any maintenance on the device, disconnect the mains plug.
3. Only those maintenance and fault elimination tasks described here may be carried out. Any other tasks must be completed by a specialist.
4. Only use original replacement parts. Only these replacement parts are designed and suitable for the device. Other replacement parts will not only lead to an invalidation of the warranty, they may also endanger you and your environment.

## SYMBOLS

### SAFETY SYMBOLS

The purpose of safety symbols is to attract your attention to any possible dangers. The safety symbols and their explanations deserve your careful attention and full understanding. The symbol warnings do not, by themselves, eliminate any danger. The instructions and warnings they give are no substitute for proper accident prevention measures.



**WARNING:** Be sure to read and understand all safety instructions within this operator's manual, including all safety alert symbols such as "**DANGER**", "**WARNING**", and "**CAUTION**" before using this tool. Failure to follow all instructions listed below may result in electric shock, fire and/or serious personal injury.

**SAFETY ALERT SYMBOLS:** Indicate **DANGER**, **WARNING**, or **CAUTION**. May be used in conjunction with other symbols or pictographs.

### SYMBOL MEANINGS

This page depicts and describes safety symbols that may appear on this product. Read, fully understand and follow all instructions on the appliance before attempting to assemble and operate.

## SYMBOLS

### WARNING SYMBOLS ON THE APPLIANCE



Caution! Read the user manual prior to start-up!



The Product complies with the applicable European directives and an evaluation method of conformity for these directives was done.



Conforms to relevant UK regulatory requirements.



Keep bystanders away. Objects thrown by the product could hit the user or other bystanders. Always ensure that other people and pets remain at a safe distance from the product when it is in operation.



Danger-Keep hands away from blades. Contact with blade will result in serious personal injury.



Disconnect the battery pack before any repair or maintenance.



Remove disabling device before performing any maintenance tasks.

## SYMBOLS



To avoid potential electric shock, do not use the unit in humid or wet conditions.



When working with the device, wear eye and ear protection.



Wear sturdy shoes when working with the device.



Wear protective gloves when working with the device.



Wear tightly fitting clothing when working with the device.



Guaranteed sound power level value is 112 dB



WEEE symbol. Waste electrical products should not be disposed of with household waste. Please recycle where facilities exist. Check with your Local Authority or local store for recycling guidelines.

## SYMBOLS

### WARNING SYMBOLS ON THE APPLIANCE



The Product complies with the applicable European directives and an evaluation method of conformity for these directives was done.



Conforms to relevant UK regulatory requirements.



To reduce the risk of injury, user must read the instruction manual carefully.



Do not throw into water.



Do not throw on to fire.



Do not subject the battery to strong sunlight over long periods of time. Do not leave on a heater (max.45°C).




Batteries contain Li-ion. Do not dispose of waste batteries in domestic waste. Contact local authority to find out how to dispose of batteries.





WEEE symbol. Waste electrical products should not be disposed of with household waste. Please recycle where facilities exist. Check with your Local Authority or local store for recycling advice.


## SYMBOLS

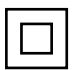
### WARNING SYMBOLS ON THE CHARGER


 The Product complies with the applicable European directives and an evaluation method of conformity for these directives was done.

 Conforms to relevant UK regulatory requirements.

 To reduce the risk of injury, user must read the instruction manual carefully.

 The charger is for indoor use only.

 Double insulation

 WEEE symbol. Waste electrical products should not be disposed of with household waste. Please recycle where facilities exist. Check with your Local Authority or local store for recycling advice.

 Protective 5 A limited

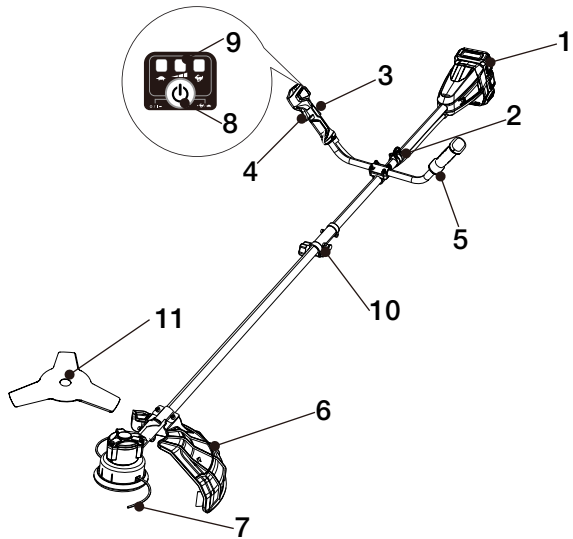
## TECHNICAL DATA

MODEL	LH C38
Nominal voltage	40V $\overline{\text{---}}$
No load speed	2700 rpm
No load speed	max. 6200 rpm (Nylon cutter) max. 6700 rpm (Metal blade)
Cutting diameter	255mm (Metal blade) 380mm (Nylon cutter)
Nylon cord diameter	2.4mm
Weight	XXXX kg
Measured sound power level ( $L_{WA}$ )	109.3 dB(A), K = 2.39 dB(A)
Guaranteed sound power level ( $L_{WA}$ )	112 dB(A)
Vibration	2.951 m/s <sup>2</sup> ; K = 1.5 m/s <sup>2</sup>
Battery Pack Model	B0P-SP06-20ZL
Battery Capacity	20V $\overline{\text{---}}$ 4.0Ah
Battery Charger Model	VDE: B0Q-SP06-20ZA BS: B0Q-SP06-20ZB
Input	220-240V AC 50/60Hz 120W
Output	21V $\overline{\text{---}}$ 4A
BS Plug	250V~ 3A
Fuse for BS Plug	3A
Power Cord	H03VVH2-F 2x0.5mm <sup>2</sup>
Protection Class	II

# DESCRIPTION OF PRODUCT

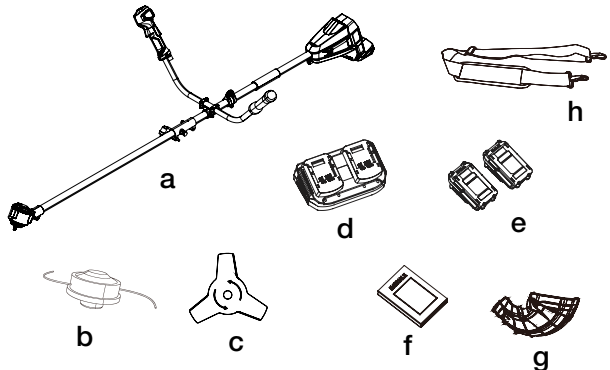
## PARTS DESCRIPTION

1. Battery pack
2. Hanger
3. Lock-off lever
4. Switch trigger
5. Grip
6. Gurad
7. Nylon cutter
8. Main power button
9. Speed indicator
10. Lock button
11. Metal cutter



## THE DELIVERY PARTS

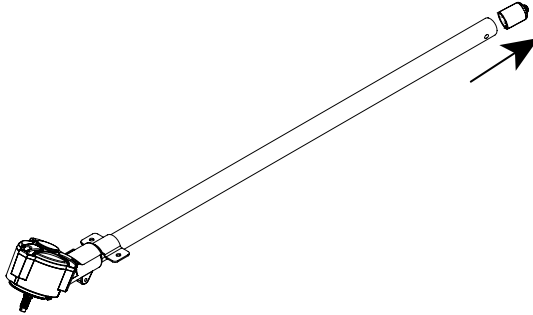
- a. Brush cutter
- b. Nylon cutter
- c. Metal cutter
- d. Charger
- e. Battery x2
- f. Instruction
- g. Gurad
- h. Shoulder straps



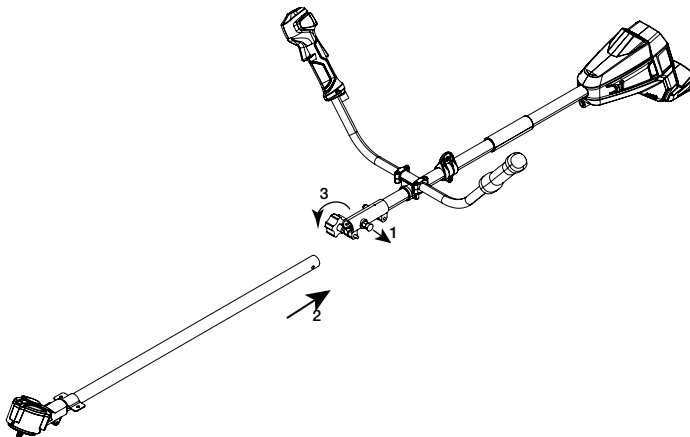
## INSTALLATION

### TWO-PIECE SHAFT ASSEMBLY

1. Remove the protective cap from the shaft.



2. Align the lower shaft with the clamp so that the hole in the extension is orientated to the locking pin.
3. Pull out the locking pin and insert the lower shaft into the clamp. Release the locking pin and ensure it engages in the hole.
4. Secure the connection by tightening the locking knob counter-clockwise.



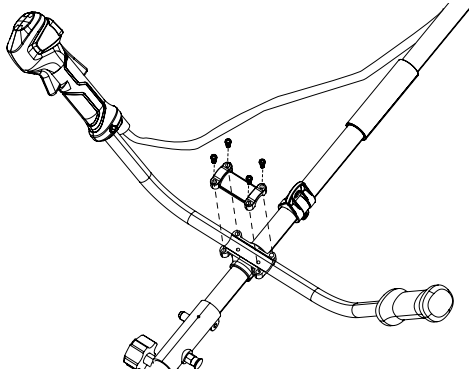
## INSTALLATION

### HANDLE ASSEMBLY



**NOTE:** The power switch should be turned off before performing any operations.

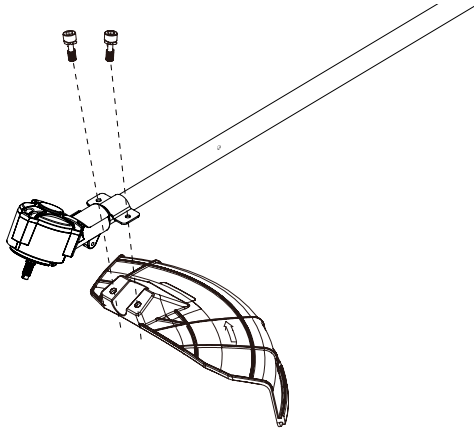
1. Place the handle on the handle frame. When facing the tool, the lever must be on the right side.
2. Attach the handle end to the handle frame and attach the clip to it. Use four bolts to loosen it for adjustment.
3. Adjust the handle angle and tighten all bolts evenly with a hex wrench.



### BRUSH GUARD ASSEMBLY

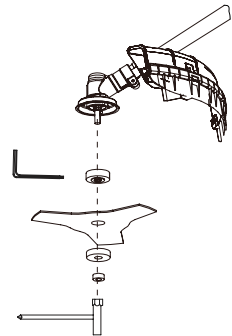
1. Remove the pre-assembled screws from the guard.
2. Insert the bolts through the mounting bracket into the guard.
3. Tight the bolts to secure the guard.

# INSTALLATION



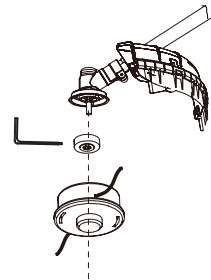
## BRUSH CUTTER BLADE ASSEMBLY

1. Place the support flange and the blade onto the spindle.
2. Insert a hex key through the hole of the outer flange and lock the spindle from turning.
3. Place the blade onto the spindle, then the mounting cup.
4. Secure the blade with a nut.



## GRASS TRIMMER SPOOL ASSEMBLY

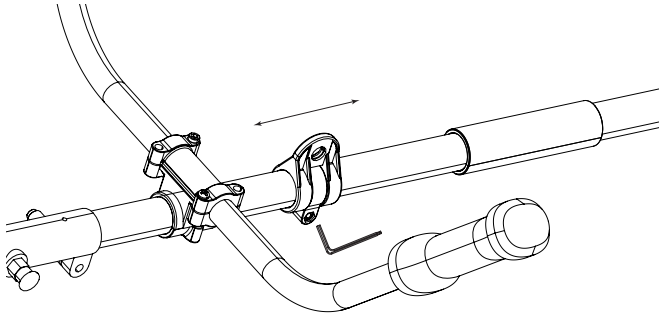
1. Place the support flange onto the spindle.
2. Insert a hex key through the hole of the outer flange and lock the spindle from turning.
3. Fit the spool onto the spindle by turning it anti-clockwise.
4. Turn the spool clockwise to remove it from the spindle.



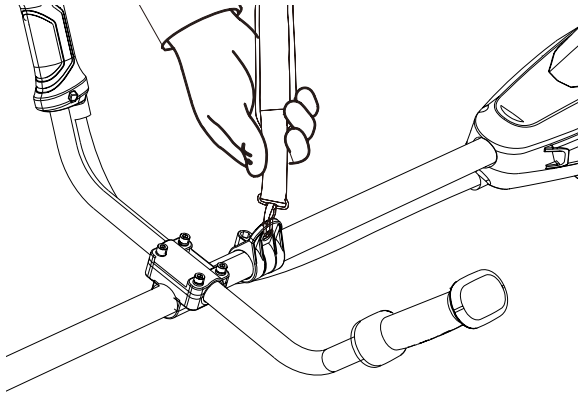
## INSTALLATION

### FIXED SHOULDER STRAP

1. Use the wrench to loosen the set screw securing hanger and then move the hanger to select the appropriate position.



2. Hang the shoulder strap over shoulder. Make sure it does not fall off easily when pulled. Hang the tool as shown.



## OPERATION

### CHARGING THE BATTERY PACK



**NOTE:** Remove the battery pack from the charger after it has been fully charged.

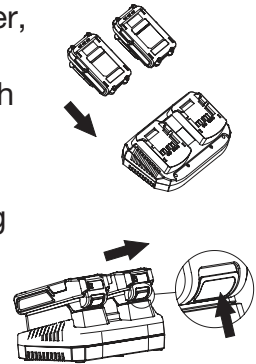


**NOTE:** Battery should be fully charged before first use.



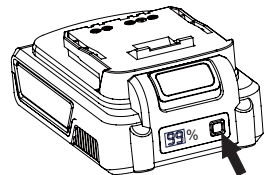
**NOTE:** Make sure the mains voltage is the same as rating label which is located on the charger.

1. Connect the charger to a power supply.  
Red LED will light up.
2. To insert the battery pack into the charger, align the raised ribs of the battery pack with the grooves of the charger then push it in.
3. The red LED light of the charger will light up followed by green flashing light during the charging.
4. After charging is complete, the charger light will turn to a solid green light.
5. Once the battery is fully charged, depress the battery release button and then remove the battery pack.



### POWER INDICATOR

This Li-Ion battery pack is equipped with a power indicator which is used to show the battery packs remaining charge. Press the power indicator button to check battery charge as picture shown. The indicator will stay lit for approximately 4 seconds.



## OPERATION

### TO OBTAIN THE BEST LIFE FROM THE BATTERY

1. Never allow the battery to completely discharge before recharging. The battery pack should be placed on the charger whenever the battery pack is noticeably running down or the tool no longer performs a task it previously performed.
2. Avoid conducting short charges. Make sure that the battery is fully charged each time by allowing the charger to complete its full charging cycle.
3. Avoid allowing loose items like screws or nails etc. to be stored with battery packs as these or similar items can short battery packs and cause a fire or explosion.
4. Always unplug the charger when not in use and store in a dry and secure place.
5. Avoid charging or storing your battery in temperatures below 5°C and above 45°C.
6. After use, allow the battery pack to cool down for approximately 30 minutes before attempting to recharge.

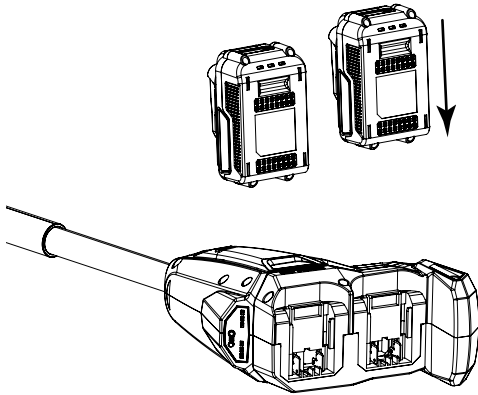
### TO INSERT THE BATTERY PACK



**WARNING!** Only use Yardforce 20V original battery pack!

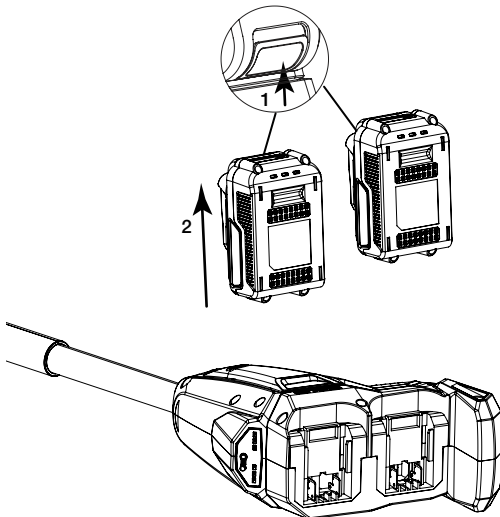
1. Align the groove on the battery pack with the corresponding ribs in the receptacle of the device.
2. Insert the battery pack with moderate force until it locks in to place.

## OPERATION



### TO REMOVE THE BATTERY PACK FROM THE TOOL

1. Press the battery pack release button.
2. Remove the battery pack from the tool.





## OPERATION

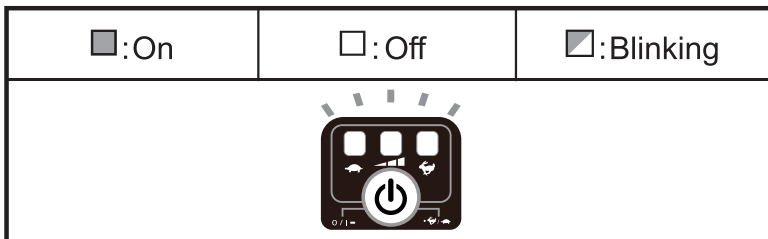
### TOOL AND BATTERY PROTECTION SYSTEM

The tool is equipped with a tool or battery protection system. This system automatically cuts off power to the motor to extend tool and battery life.



The tool will automatically stop during operation if the tool or battery is placed under one of the following conditions. In some conditions, the indicators light up.

### OVERLOAD PROTECTION

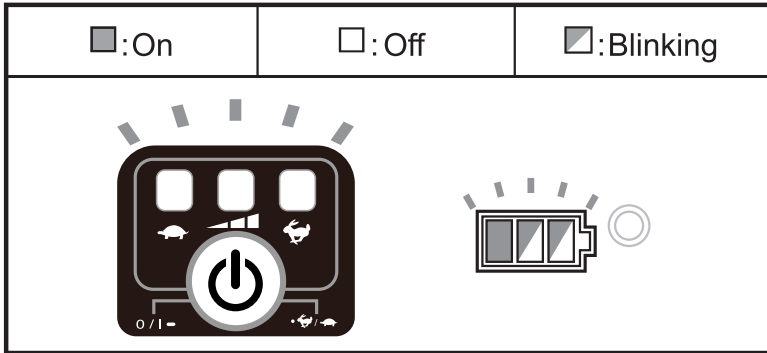
If the tool is overloaded by entangled weeds or other debris, the tool stops automatically, and   indicators blink. In this situation, turn the tool off and stop the application that caused the tool to become overloaded. Then turn the tool on to restart.



### OVERHEAT PROTECTION FOR TOOL

When the tool is overheated, the tool stops automatically, and , , and the battery indicator blink about 60 seconds. In this situation, let the tool cool down before turning the tool on again.

# OPERATION



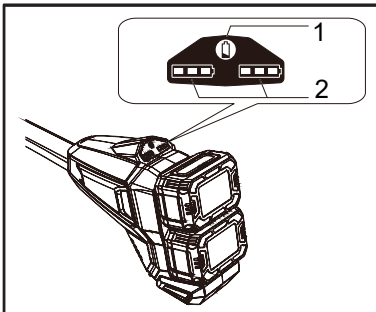
## OVERDISCHARGE PROTECTION

When the battery capacity becomes low, the tool stops automatically. If the product does not operate even when the switches are operated, remove the batteries from the tool and charge the batteries.

## REMAINING BATTERY CAPACITY INDICATION

Press the check button to make the battery indicators show the remaining battery capacities.

The battery indicators correspond to each battery.



Battery indicator status	Remaining battery capacity
■:On □:Off ◐:Blinking	
	50% - 100%
	20% - 50%
	0% - 20%
	Charge the battery

## OPERATION

### CHECK BEFORE STARTING



**WARNING!** The device must only be put into operation if no faults are found. If any part of the device is defective, it must be replaced before the next use.

Check the safety equipment and the safe condition of the device.

- Check all parts to make sure they fit tightly.
- Check whether there are visible defects: broken parts, cracks, etc.

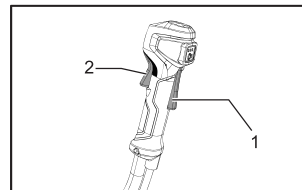
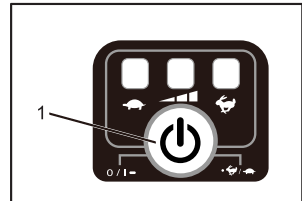
### STARTING/STOPPING THE CUTTER



**WARNING!** Before inserting the battery cartridge into the tool, always check to see that the switch trigger actuates properly and returns to the "OFF" position when released. Operating a tool with a switch that does not actuate properly can lead to loss of control and serious personal injury.

### TO START

1. Press and hold the main power button for some seconds to turn on the tool.
2. To start the tool, hold the locking lever on the rear handle and then pull the switch trigger.







## OPERATION

### TO STOP

1. To stop the tool, release the switch trigger.
2. To turn off the tool, press and hold the main power button.

### SPEED ADJUSTING

Tap the main power button to adjust the tool speed.

Each tap the main power button,  indicator or  indicator lights up.  is for high speed and  for low speed.

### OPERATING



**WARNING!** Special care must be taken at all times to control the tool. Do not bias the tool towards itself or the work area. Failure to carefully control the machine may result in serious injury to the tool operator or nearby personnel.



**WARNING!** Be sure to place the tool on the right-hand side so that the bar always puts the tool in front of your body to maximize

### WORKING INSTRUCTIONS

#### EXTENDING THE CUTTING LINE



**CAUTION!** Do not use any kind of metal wire or metal wire encased in plastic in the line spool. This may cause serious injuries to the user. To extend the cutting line, tap the line spool on the ground.

The blade on the safety guard will cut the line to the appropriate length.

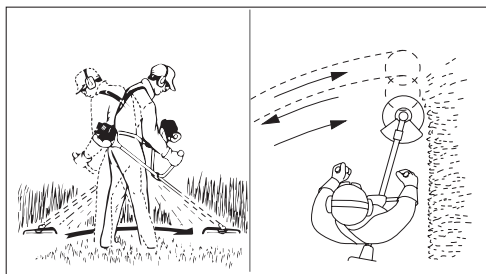
## OPERATION



**CAUTION:** Remove all grass and weed remnants at regular intervals to prevent the shaft tube overheating. Lawn, grass and weed remnants become trapped under the safety guard, preventing the shaft tube from receiving adequate ventilation. Remove the remnants carefully using a suitable tool. Do not use bare hands.

### DIFFERENT CUTTING METHODS

When the machine is correctly assembled it will cut weeds and long grass in places that are difficult to access, e.g. along fences, walls, foundations, and trees. It can also be used for 'mowing' down vegetation to prepare a garden for other applications.



**CAUTION:** Even if it is used carefully, cutting around foundations, stone or concrete walls will result in the line suffering more than normal wear.

### TRIMMING/MOWING

Swing the trimmer from side to side in a scything motion. Always keep the line spool parallel to the ground. Check the site and decide which cutting height you require. Guide and hold the line spool at the required height to obtain an even cut.

## OPERATION

### LOW TRIMMING

Hold the trimmer right in front of you at a slight angle so that the underside of the line spool is above the ground and the line is at the required height. Always cut away from yourself and never draw the machine towards you.

### CUTTING ALONG FENCES/FOUNDATIONS

Approach wire mesh fences, lath fences, natural stone walls and foundations slowly so that you can cut close to them without striking the obstacle with the line. If, for example, the line strikes stones, stone walls or foundations, it will wear or fray. If the line strikes wire fencing, it will break.

### TRIMMING AROUND TREES

When trimming around tree trunks, approach slowly so that the line does not strike the bark. Walk around the tree, cutting from left to right. Approach grass or weeds with the tip of the line and tilt the line spool forwards slightly.



**WARNING!** Take extreme care during mowing work. When doing such work, keep a distance of 30 meters between yourself and other people or animals.

### MOWING

When mowing, you want to cut all the vegetation down to the ground. To do this, set the line spool at an angle of 30° to the right.

Remember the increased risk of injury to the user, bystanders and animals, and the danger of damaging property due to objects (for example stones) being thrown.

## OPERATION



**WARNING!** Do not use the machine to remove objects from footpaths, etc. The machine is a powerful tool and can throw small stones and other objects a distance of 15 meters or more, causing injuries and damage to cars, houses and windows.

## MAINTENANCE AND STORAGE



**WARNING!** Switch off the product and disconnect the batteries before all cleaning and maintenance work. Wait until all moving parts are completely stopped.

### CLEANING THE DEVICE

1. Use a soft brush to remove debris from all air intakes and cutting blade.
2. To remove pitch and other sticky residue, spray the blades with resin solvent. Run the motor briefly so that the solvent is evenly distributed.
3. Wipe the surface with a dry cloth.

### MAINTENANCE

1. Keep all nuts, bolts and screws tight to be sure that the machine is in safe working condition.
2. Examine the machine and replace worn or damaged parts for safety.
3. Check that the guards are undamaged and correctly fitted. Carry out necessary maintenance or repairs before using.
4. Do not use the unit if the blades are blunt or worn. This will overstress the motor and gearbox of the machine.

### STORAGE



**WARNING!** Make sure that unauthorized persons do not have access to the device!

1. Store the device in a dry place.
2. Remove the battery packs from the machine and full recharge these before storage.

## MAINTENANCE AND STORAGE

### TRANSPORT

Use the original packaging to ship whenever possible.

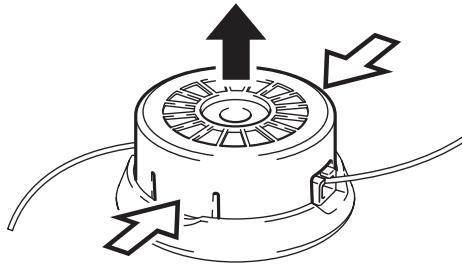
### REPLACING THE NYLON CORD



**WARNING!** Never use metal wire, rope or the like. Use recommended nylon cord only, otherwise it may cause damage to the tool and result in serious personal injury.

Make sure that the cover of the nylon cutting head is secured to the housing properly as described below. Failure to properly secure the cover may cause the nylon cutting head to fly apart resulting in serious personal injury.

1. Take off cover from housing, pressing two latches which are slotted section oppositely on side of housing.



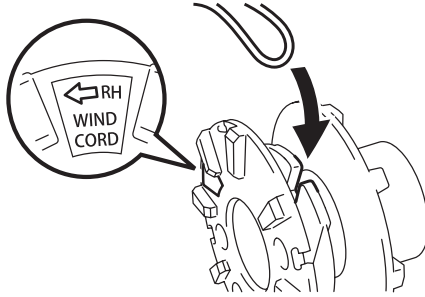
2. Cut a nylon line in 3 m. Fold the cutting line in two halves, leave one of half longer 80 - 100 mm than another.



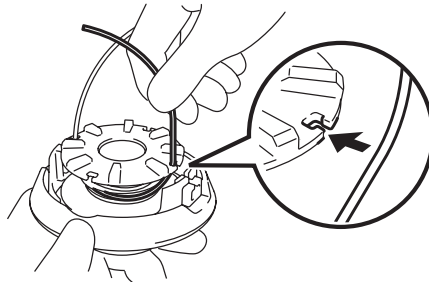
3. Hook the middle of the new nylon cord to the notch located at the center of the spool between the 2 channels provided for the nylon cord. Wind both ends firmly around

## MAINTENANCE AND STORAGE

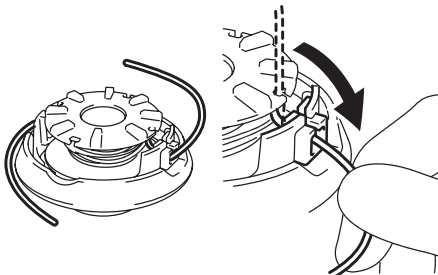
the spool in the direction marked on the head for right hand direction indicated by RH.



4. Wind all but about 100 mm of the cords, leaving the ends temporarily hooked through a notch on the side of the spool.

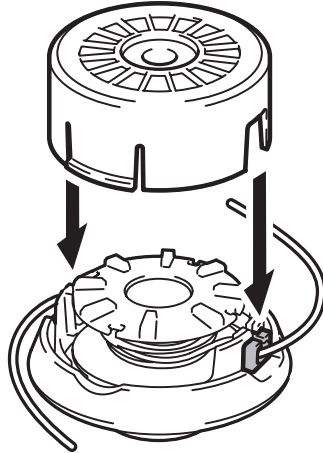


5. Mount the spool on the cover so that the grooves and protrusions on the spool match up with those on the cover. Now, unhook the ends of the cord from their temporary position and feed the cords through the eyelets to come out of the cover.



## MAINTENANCE AND STORAGE

6. Align the protrusion on the underside of the cover with the slots of the eyelets. Then push the cover firmly onto the housing to secure it. Make sure the latches fully spread in the cover.



## TROUBLESHOOTING



**WARNING!** Only perform the steps described in these instructions! All further inspection, maintenance and repair work must be performed by a qualified specialist! Contact a specialist if the problem cannot be solved by yourself!



**WARNING!** The product does not perform properly, or sound are abnormal, or motor cannot be started, or stopped as described, or the cutting device does not work properly, or any other irregularity, or malfunction occurs, do not attempt to repair the product by yourself. Please contact helpline or service center.



**WARNING!** Before carrying out any maintenance operations, remove the battery pack.

Problem	Possible cause	Solution
Product is not running	Battery cartridge is not installed.	Install the battery cartridge.
	Battery problem (under voltage)	Recharge the battery. If recharging is not effective, replace battery.
	The drive system does not work correctly.	Ask your local authorized service center for repair.
Motor stops running after a little use	Rotation is in reverse.	Change the direction of rotation with the reversing switch.
	Battery's charge level is low.	Recharge the battery. If recharging is not effective, replace battery.
	Overheating.	Stop using of tool to allow it to cool down.

## TROUBLESHOOTING

It does not reach maximum RPM.	Battery is installed improperly.	Install the battery cartridge as described in this manual
<b>Problem</b>	<b>Possible cause</b>	<b>Solution</b>
It does not reach maximum RPM.	Battery power is dropping.	Recharge the battery. If recharging is not effective, replace battery.
	The drive system does not work correctly.	Ask your local authorized service center for repair.
Cutting tool does not rotate.	Foreign object such as a branch is jammed between the guard and the nylon cutting head.	Remove the foreign object.
	The drive system does not work correctly.	Ask your local authorized service center for repair.
Abnormal vibration	One end of the nylon cord has been broken.	Bump the nylon cutting head against the ground while it is rotating to cause the cord to feed.
	The drive system does not work correctly.	Ask your local authorized service center for repair.
Cutting tool and motor cannot stop	Electric or electronic malfunction.	Remove the battery and ask your local authorized service center for repair.

# DECLARATION OF CONFORMITY

## Declaration of Conformity

We

**MEROTEC GmbH**

**Otto-Brenner-Str. 8, D-47877 Willich, Germany**

**Herewith declare under our own, sole responsibility that our product:**

**Declare that the product:**

**Machine Description: 40V CORDLESS CUTTER AND GARSS TRIMMER**

**Model No. LT C38/RLB40DR-RG**

**Function: Cutting grass**

### Complies with the following directives:

2006/42/EC Machinery Directive

2014/30/EU EMC Directive

2000/14/EC Noise Directive, amended by 2005/88/EC

Conformity assessment procedure: 2000/14/EC Annex V

Measured sound power level  $L_{WA} = 88$  dB(A)  $K=3$  dB(A)

Guaranteed sound power level  $L_{WA} = 92$  dB(A)

2011/65/EU RoHS

### Applied harmonized standards:

#### For Appliance

EN 62841-1:2015+A11:2022

EN ISO 11806-1:2022

EN 60335-1:2012+A15:2021

EN 50636-2-91:2014

EN IEC 55014-1:2021

EN IEC 55014-2:2021

#### For Charger:

EN 60335-1:2012+A11+A13+A14+A2+A15+A16

EN 60335-2-29:2021+A1

N 62233: 2008

EN IEC 55014-1: 2021

EN IEC 55014-2: 2021

EN IEC 61000-3-2: 2019+A1

EN 61000-3-3: 2013+A1+A2

MEROTEC GmbH

Otto-Brenner-Str. 8

D-47877 Willich

Place, date: Willich, 08.11.2025



Authorized Signature: \_\_\_\_\_

Ronald Menken

General Manager



# DECLARATION OF CONFORMITY

To the provisions of Council Directives

We  
SUMEC UK

Unit A&B Escrick Business Park Escrick, York YO19 6 FD/ United Kingdom

Declare that the product:

Machine Description: 40V CORDLESS CUTTER AND GARSS TRIMMER

Model No. LT C38/RLB40DR-RG

Function: Cutting grass

**Complies with the essential health and safety requirements of the following directives:**

Supply of Machinery (Safety) Regulations 2008

Electromagnetic Compatibility Regulations 2016

The Restriction of the Use of Certain Hazardous Substances in Electrical and Electronic Equipment Regulations 2012

Noise Emission in the Environment by Equipment for use Outdoors Regulations 2001

Measured Sound Power Level: 88 dB (A) K=3 dB(A)

Declared Guaranteed Sound Power Level: 92 dB (A)

**Standards and technical specification referred to :**

**For Appliance**

EN 62841-1:2015+A11:2022

EN ISO 11806-1:2022

EN 60335-1:2012+A15:2021

EN 50636-2-91:2014

EN IEC 55014-1:2021

EN IEC 55014-2:2021

**For Charger:**

EN 60335-1:2012+A11+A13+A1+A14+A2+A15+A16

EN 60335-2-29:2021+A1

N 62233: 2008

EN IEC 55014-1: 2021

EN IEC 55014-2: 2021

EN IEC 61000-3-2: 2019+A1

EN 61000-3-3: 2013+A1+A2

Authorized Signatory

Date: 08.11.2025



Signature: \_\_\_\_\_

Place: York

Name: Mariana Hall

General Manager

SUMEC UK

Unit A&B Escrick Business Park Escrick

York YO19 6 FD, United Kingdom



## DISPOSAL

### DISPOSING OF PACKAGING

Dispose of packaging according to type. Sort the paperboard and cardboard as waste paper and the film as recyclable material.

### DISPOSING OF THE APPLIANCE

Applicable in the European Union and other European countries with systems for separate collections of recyclable waste.



This symbol indicates that this product may not be disposed of together with domestic waste in compliance with the (2012/19/EU) Regulation pertaining to waste electrical and electronic devices (WEEE). This product must be handed in at a collection point intended for the purpose. This can occur, for example, by handing it in at an authorized collecting point for the recycling of waste electrical and electronic equipment. Owing to potentially hazardous substances that are frequently contained in waste electronic equipment, incorrect handling of waste equipment may have a negative impact on the environment and on the health of human beings. By disposing of this product correctly, you are also contributing towards an efficient use of natural resources. Information on collecting points for waste equipment can be obtained from your local authority, an authorized institution for the disposal of waste electrical and electronic equipment or the waste collection services.