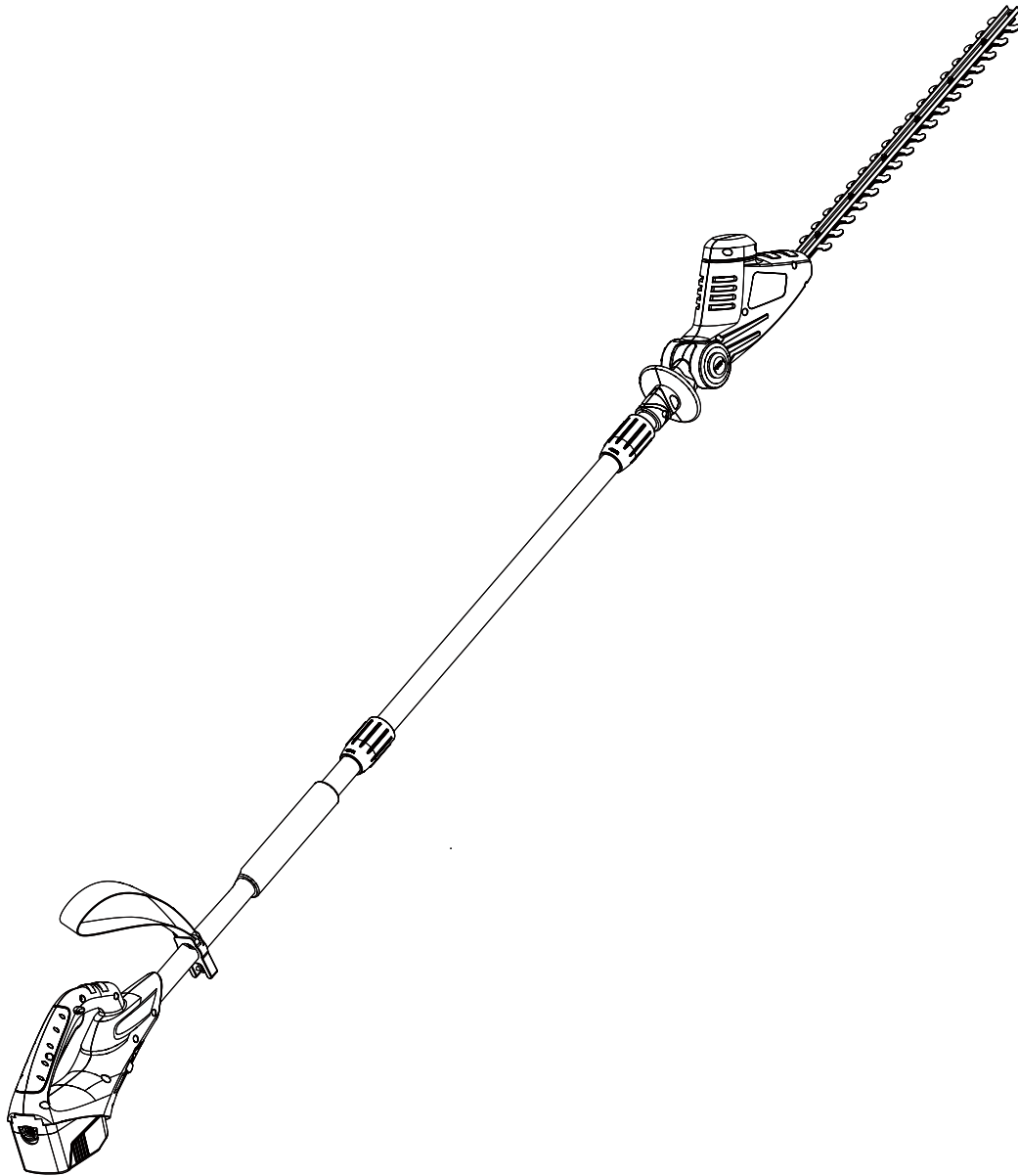


Qualcast 18V Cordless Pole Hedge Trimmer

Assembly Manual

M0E-7ET-410



Important - Please read these instructions fully before starting assembly

These instructions contain important information that will help you get the best from your cordless pole hedge trimmer, ensuring it is assembled correctly and safely.

If you need help or have damaged or missing parts, call the Customer Helpline on **0845 034 2279** prior to returning product to store.

Contents

Safety Information.....	3
Warning Symbols.....	3
General Safety.....	3
Personal Safety.....	3
In the Box.....	4
Parts.....	4
Assembly.....	4
Preparing To Assemble The Pole Hedge Trimmer.....	5
Step 1 - Connecting the poles.....	5
Step 2 - Attaching the Shoulder Strap.....	6
Step 3 - Charging the Battery Pack.....	6
Step 4 - Unplug and Plug the Battery Pack.....	8

Safety Information

Important - Please read these instructions fully before starting assembly

Warning Symbols

The following warning symbols appear throughout this assembly manual and indicate the appropriate safety measures you should take when assembling and operating the pole hedge trimmer.



This symbol indicates there is a danger of serious personal injury or death if you do not observe the warning.



This symbol indicates that there is a danger of damaging your hands if you do not wear thick, protective gloves.

General Safety



WARNING! Keep this assembly manual in a safe place for future reference.



WARNING! Always ensure anyone intending to operate this hedge trimmer is fully conversant with the contents of this assembly manual prior to assembling, maintaining or operating the pole hedge trimmer.



WARNING! Perform assembly operations as described in this pole manual. Failure to observe this warning may lead to serious injury, death or damage to the pole hedge trimmer.



WARNING! Always take care when removing the packaging to prevent damage to you or to the pole hedge trimmer.



IMPORTANT! Before assembling the pole hedge trimmer, check all the parts indicated in the manual are in the box. Inspect all the parts for signs of damage. Do not assemble the pole hedge trimmer if you observe any damaged components.

Personal Safety



WARNING! Only operate the pole hedge trimmer if you are wearing the correct Personal Protective Equipment (PPE) as described in the following warnings.

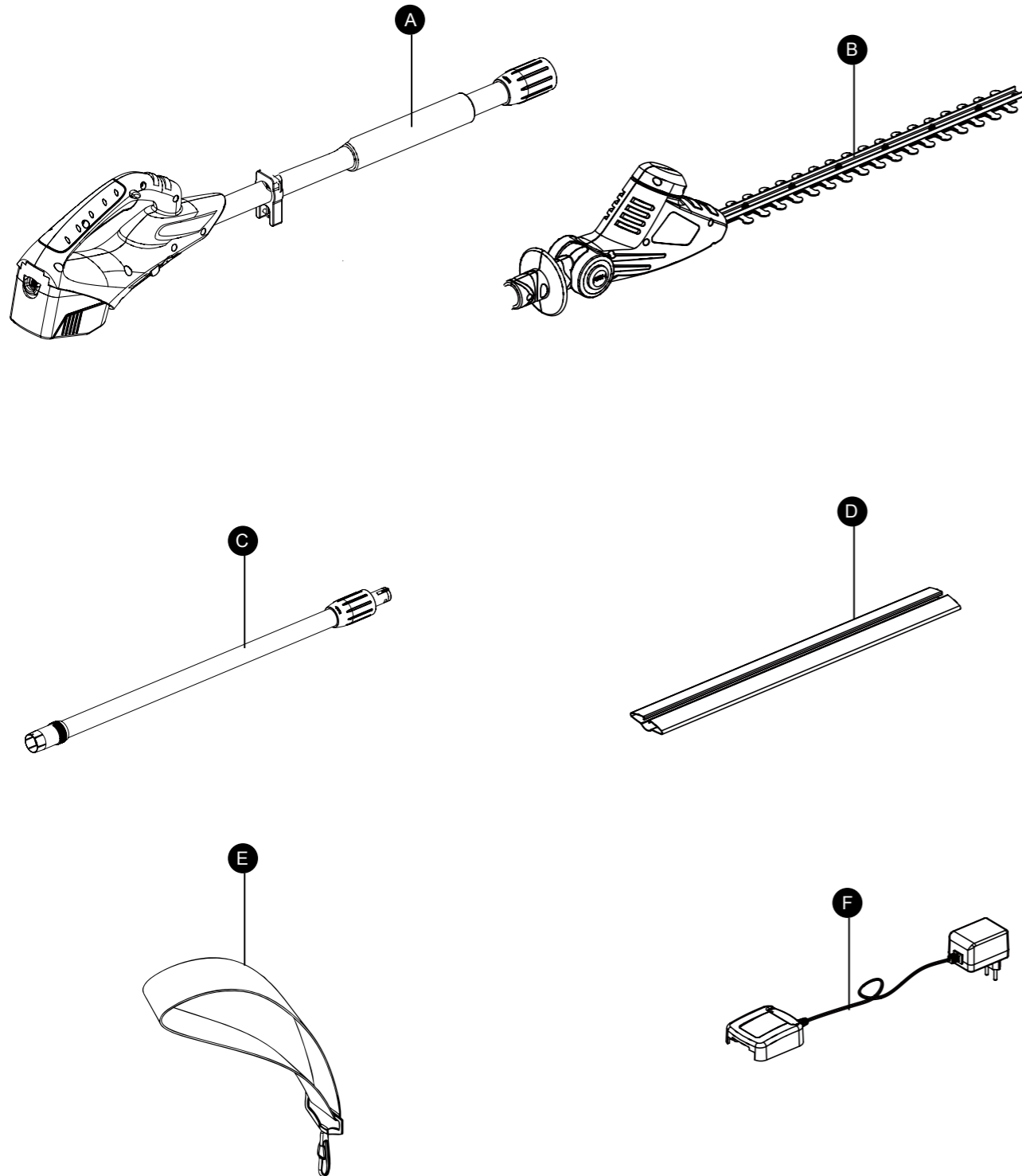


WARNING! Always wear suitable gloves when operating pole hedge trimmer to protect your hands from flying debris and/or sharp objects.

In the Box

Parts

- | | | |
|----------------------------------|---------------------------------|-------------------------|
| A Lower part with battery | C Intermediate pole | E Shoulder strap |
| B Pole head | D Blade protection cover | F Charger |



Assembly

Preparing to Assemble the Pole Hedge Trimmer

WARNING! Always take care when removing the packaging to prevent damage to you or to the pole hedge trimmer.

IMPORTANT! Before assembling the pole hedge trimmer, check all the parts indicated in the manual are in the box. Inspect all the parts for signs of damage. Do not assemble the pole hedge trimmer if you observe any damaged components.

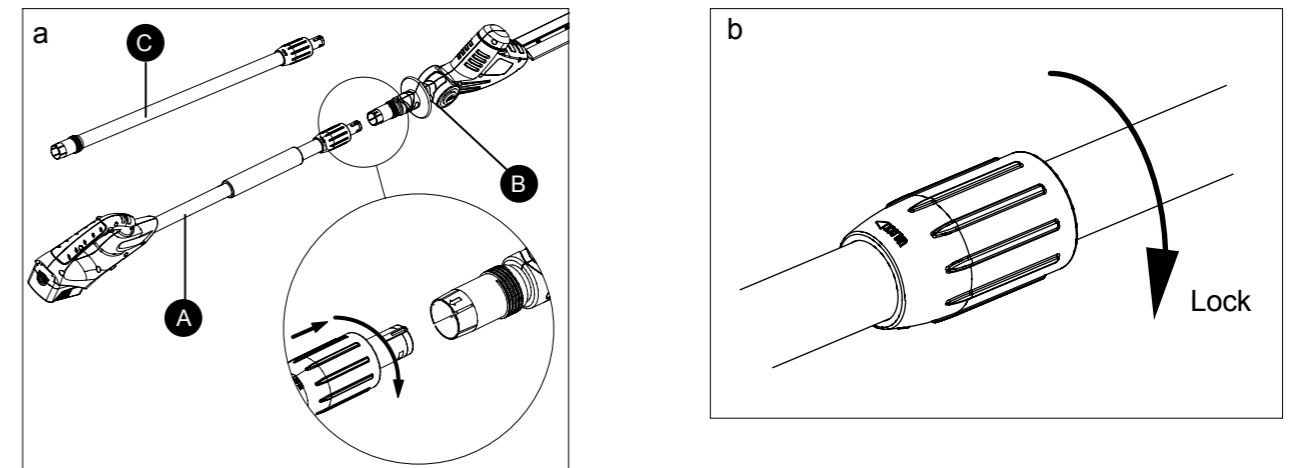
1. Remove all parts of the pole hedge trimmer from the box and carefully remove all packaging. Take care not to lose any instructions which may be affixed to the parts. These provide important information which will be required while assembling the pole hedge trimmer.

2. Keep all packaging until the pole hedge trimmer is fully assembled and has been operated successfully.



NOTE! Always recycle the packaging in accordance with local recycling schemes.

Step 1 - Connecting the Poles

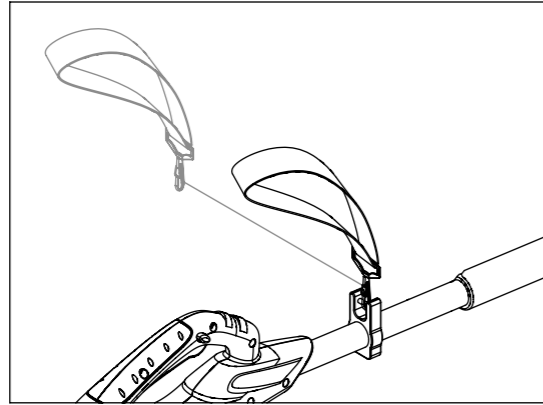


Before using the pole hedge trimmer, a one-time assembly is required.

1. Remove package material from the box
2. Insert the handle pole (A) into the pole head (B). When inserted the arrow on the pole head should be aligned with the arrow on the handle pole and must be fully inserted as shown in the insert of Fig. a
3. Tighten the locking knob in the "LOCK" direction. (IMPORTANT: Must turn the locking knob tightly.). (See Fig. b)
4. If the intermediate pole (C) is required then the same method should be used to attach the handle pole (A) and the Pole head (B) to either end of the intermediate pole (C).

Assembly

Step 2 - Attaching the Shoulder Strap



Fix the hook of shoulder strap into lifting lug on the handle pole of the appliance.

Step 3 - Charging the Battery Pack

WARNING! The battery needs to be charged before first use and whenever it fails to produce sufficient power on jobs that were easily done before. After several charge and discharge cycles, the battery will attain full capacity.

WARNING! Be sure to read all safety instructions before using your charger. This product is not user serviceable. There are no user serviceable parts inside the charger. Servicing at an authorized service center.

WARNING! Read all of the instructions in the battery charger section of this manual before attempting to charge the battery pack for your tool. Always use correct battery pack (pack supplied with tool or replacement pack exactly like it). Never install any other battery pack, it will ruin your tool and may create a hazard.

WARNING! The charger is required to avoid damage to static sensitive internal components.

WARNING! The battery may become warm while charging. This is normal and does not indicate a problem.

WARNING! Use the charger in normal room temperatures whenever possible. To prevent overheating, do not cover the charger and do not charge battery packs in direct sunlight or near heat sources.

NOTE! If the battery pack does not charge properly
– (1).check current at receptacle by plugging in a lamp or other appliance.

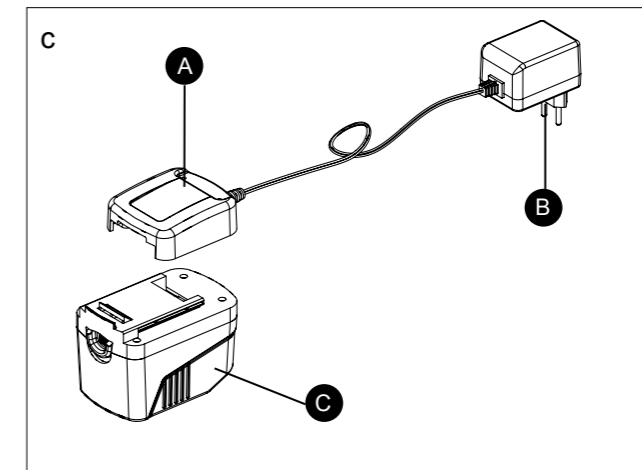
--(2) move charger and battery pack to a location where the surrounding air temperature is approximately 18-24 °C.

--(3).if charging problems persist, take or send the tool, battery pack and charger to your local service center.

WARNING! Under certain conditions, with the charger plugged in to the power supply, the exposed charging contacts inside the charger can be shorted by foreign material. Foreign materials of a conductive nature such as, but not limited to, steel wool, aluminum foil, or any build up of metallic particles should be kept away from charger cavities. Always unplug the charger from the power supply when there is no battery pack in the cavity. Unplug charger before attempting to clean.

Assembly

Step 3 - Charging the Battery Pack (continued)



1. Remove it from the tool and insert it into the charge station (A). The battery pack will only fit into the charger one way. Do not force the battery pack. Be sure that battery pack is fully seated in the charger.

2. Connect the plug wire (B) to the charger station (A).

3. Plug the charger into an appropriate AC power outlet. The green LED light comes on indicating the charger is ready for use.

4. Insert the battery pack (C) into the charger station (A), as shown in Fig C, making sure the pack is fully seated in the charger station. The red LED light comes on and green LED light remains on indicating the battery pack is on charge.

5. The battery pack will be fully charged after about 3-5 hours, and the red LED will go off. Unplug the charger (B) and remove the battery pack.

NOTE! When the charging is finished, do not leave your battery pack on charge continuously. This may damage the battery cells. If the battery pack is very hot, you must allow it to cool first to ambient temperature and then recharging can be started. If you charge a second battery pack immediately after the first one, then the charger adapter can be overheated. Always allow at least 15 min rest between battery pack charging.

WARNING! Do not immerse charger in water or any other liquid.

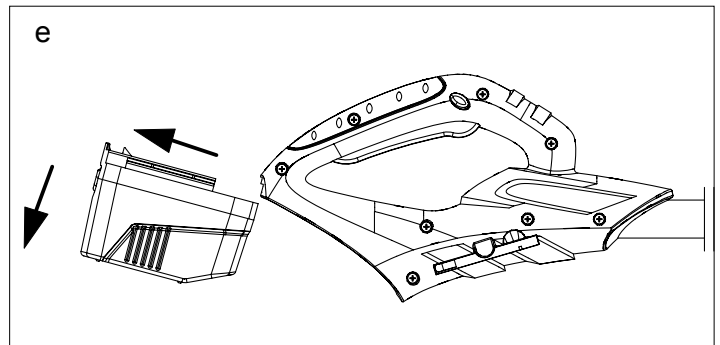
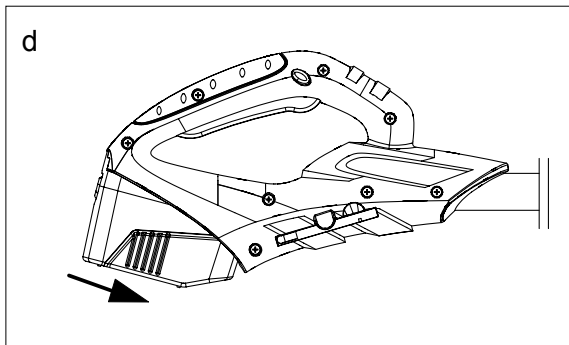
WARNING! Don't allow any liquid to get inside charger. Electric shock may result.

WARNING! To facilitate the cooling of the battery pack after use, avoid placing the charger or battery pack in a warm environment such as in a metal shed, or an uninsulated trailer.

CAUTION! Never attempt to open the battery pack for any reason. If the plastic housing of the battery pack breaks or cracks, return to a service center for recycling. Do not put it into further use.

Assembly

Step 4 - Using the Battery Pack



To fit battery pack

1. Place battery pack in your pole hedge trimmer. Align raised rib on battery pack with groove inside pole hedge trimmer. (See Fig d).
2. Make sure the latches on each side of your battery pack snap in place and battery pack is secured in pole hedge trimmer before beginning operation.

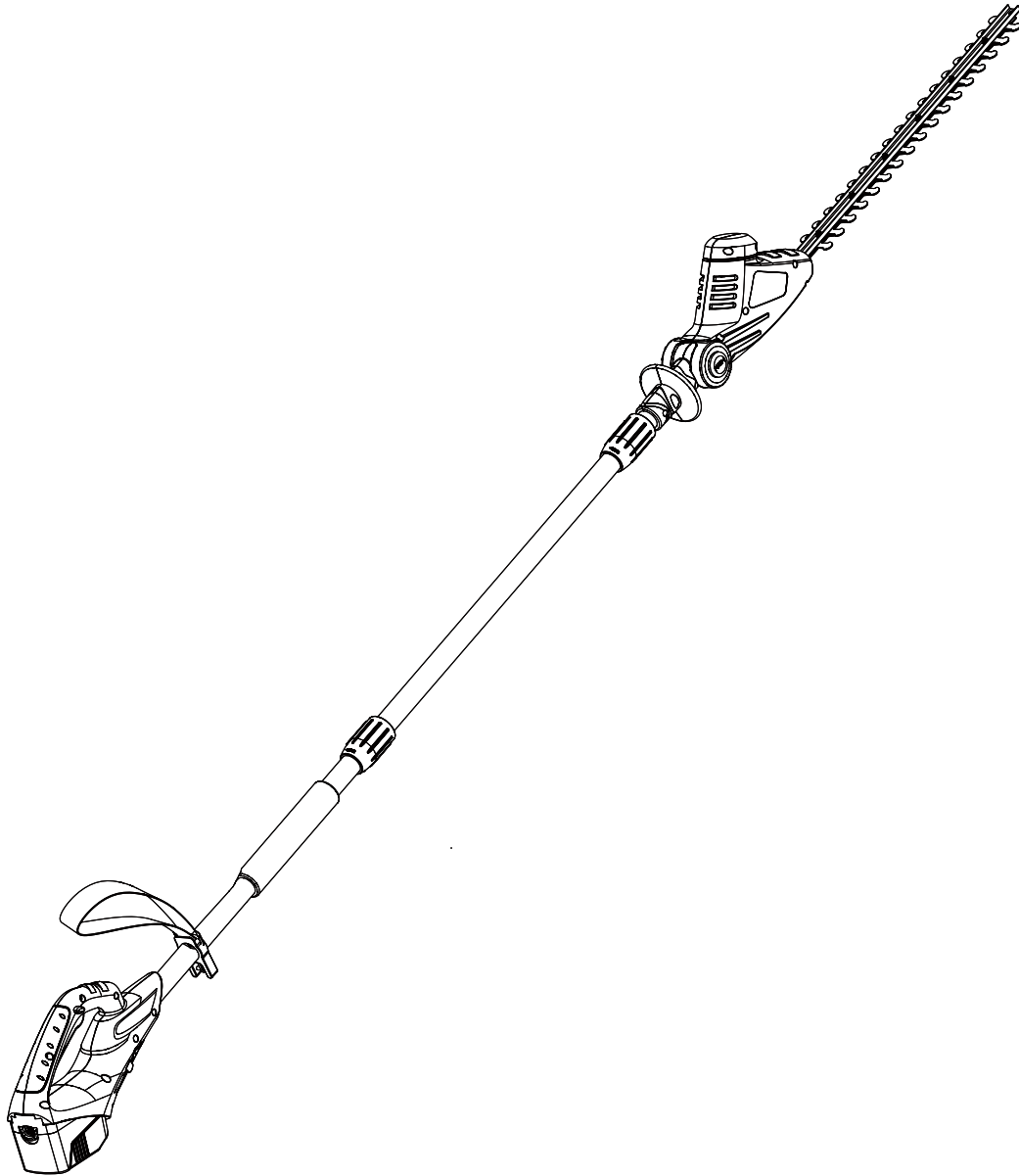
To remove battery pack

1. Locate latches on end of battery pack and depress to release battery pack from your pole hedge trimmer.
2. Remove battery pack from your pole hedge trimmer. (See Fig e).

Qualcast 18V Cordless Pole Hedge Trimmer

Operation and Maintenance Manual

M0E-7ET-410



Important - Please read these instructions fully before operating or maintaining your hedge trimmer.

These instructions contain important information that will help you get the best from your cordless pole hedge trimmer, ensuring it is assembled correctly and safely.

If you need help or have damaged or missing parts, call the Customer Helpline on **0845 034 2279** prior to returning product to store.

Contents

Safety Information	3
Warning Symbols.....	3
General Safety.....	5
Preparation	5
Work Area Safety.....	5
Personal Safety	6
Electrical Safety of Tool and Charger.....	6
Operation Safety.....	7
Maintenance and Storage	8
Service	8
Preparing to Operate the Hedge Trimmer	9
Step 1 - Removing the blade sheath.....	9
Step 2 - Adjusting the cutting angle.....	9
Operating the Hedge Trimmer	10
Step 1 - Switch on /off.....	10
Step 2 - Cutting.....	11
Stopping	11
Stopping	11
Maintenance and Repair.....	12
Maintenance and Repair.....	12
General	12
Cutting Device	12
Storing and Transportation.....	12
Troubleshooting	13
Technical Data.....	14
Recycling and Disposal.....	15
Guarantee	16
Declaration of Conformity	17

Safety Information

Important - Please read these instructions fully before operating or maintaining

Warning Symbols

The following warning symbols appear through this manual and indicate the appropriate safety measures you should take when operating and maintaining the pole hedge trimmer.



Warning!



Read the instruction manual



Conforms to all relevant safety standards.



Wear hearing protection and eye protection.



Wear protective gloves



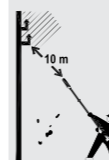
Wear foot protection



Do not expose to rain.



Keep bystanders away. Thrown objects can cause serious injury.



WARNING! The device is not protected against electric shocks when it touches high-voltage lines! Maintain a safe distance of 10m from live electrical lines.



Electrical Tool Disposal! In accordance with European Directive 2002/96/EC on waste electrical and electronic equipment and its implementation in national law, Electric tools are collected separately and recycled environmentally. Take advantage of the collection facilities. Ask your local council for the collection systems. If electrical appliances are disposed incorrectly the environment can be poisoned as the hazardous substances enter into the groundwater supplies and entering the food chain, or flora and fauna.



Guaranteed sound power level

Safety Information

Important - Please read these instructions fully before operating or maintaining

Warning Symbols on the charger



Warning!



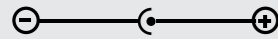
Before using for the first time, carefully read through the user manual



The charger is for indoor use only



Protection class II



Pole orientation



Electrical Tool Disposal! In accordance with European Directive 2002/96/EC on waste electrical and electronic equipment and its implementation in national law, Electric tools are collected separately and recycled environmentally. Take advantage of the collection facilities. Ask your local council for the collection systems. If electrical appliances are disposed incorrectly the environment can be poisoned as the hazardous substances enter into the groundwater supplies and entering the food chain, or flora and fauna.

Warning Symbols on the battery



The battery contains harmful substances . Used batteries should be disposed of at locations specifically intended for used battery disposal.



Safety Information

Important - Please read these instructions fully before operating or maintaining

General Safety



WARNING! Keep this operating and maintenance manual in a safe place for future reference.



WARNING! Read the instructions carefully. Be familiar with the controls and the proper use of the equipment.



WARNING! Never allow children or people unfamiliar with these instructions to use the pole hedge trimmer. Local regulations can restrict the age of the operator.



WARNING! Never trim while people, especially children, or pets are nearby. Keep in mind that the operator or user is responsible for accidents or hazards occurring to other people or their property.



WARNING! This appliance is not intended for use by people (including children) with reduced physical, sensory or mental capabilities, or lack of experience and knowledge, unless they have been given supervision or instruction concerning use of the appliance by a person responsible for their safety.



WARNING! Do not touch the reciprocating blades.

Preparation

a) **this machine can cause serious injuries.** Read the instructions carefully for the correct handling, preparation, maintenance, starting and stopping of the appliance. Be familiar with the controls and the proper use of the appliance. Read and understand the operator's manual and observe the warnings and instruction labels affixed to the appliance.

b) **users.** Never allow children or people unfamiliar with these instructions to use the appliance. Local regulations may restrict the age of operator. Never operate the tool under the influence of alcohol, medication or drugs.

c) **use appropriate tool.** This device is only intended for trimming hedges, bushes and shrubs outdoors and only designated for use on private property. Do not force small tools or attachments to do the job of a heavy duty tool.

Work Area Safety

a) **Keep work areas clean.** Cluttered areas and benches can cause accidents.

b) **Consider work area environment.** Do not expose your tool to high humidity or rain. Do not use your tool in damp and wet conditions. Keep the work area well lit. Do not use your tool where there is a risk of causing fire or explosion, e.g. in the presence of flammable liquids and gases.

c) **Keep all bystanders, children, and pets at least 50 feet away.** The operator or user is responsible for accidents or hazards occurring to other people or the property.

Safety Information

Important - Please read these instructions fully before operating or maintaining

Personal Safety

- a) **Use personal protective equipment(PPE).** Always wear eye protection. Protective equipment such as dust mask, non-slip safety shoes, hard hat, or hearing protection used for appropriate conditions will reduce personal injuries.
- b) **Dress appropriately.** Do not wear loose clothing or jewelry, as these can be caught in moving parts. Preferably wear non-slip footwear when working outdoors. Wear protective hair covering to keep long hair out of the way.
- c) **Stay alert, watch what you are doing and use common sense when operating a power tool. Do not use a power tool while you are tired or under the influence of drugs, alcohol or medication.** A moment of inattention while operating power tools may result in serious personal injury.
- d) **Prevent unintentional starting. Ensure the switch is in the off-position before connecting to power source and/or battery pack, picking up or carrying the tool.** Carrying power tools with your finger on the switch or energising power tools that have the switch on invites accidents.
- e) **Remove any adjusting key or wrench before turning the power tool on.** A wrench or a key left attached to a rotating part of the power tool may result in personal injury.
- f) **Do not overreach. Keep proper footing and balance at all times.** This enables better control of the power tool in unexpected situations.
- g) **Always wear shoulder strap for increased safety and to support the tool.**

Electrical Safety of Tool and Charger

- a) **Beware of overhead power lines.** To protect yourself from electrocution, do not operate within 10 feet (3m) of overhead electrical lines. Failure to do this could result in server personal injury.
- b) **Avoid body contact with earthed or grounded surfaces, such as pipes, radiators, ranges and refrigerators.** There is an increased risk of electric shock if your body is earthed or grounded.
- c) **Do not expose power tools to rain or wet conditions.** Water entering a power tool will increase the risk of electric shock.
- d) **Do not abuse the cord of charger. Never use the cord for carrying, pulling or unplugging the charger. Keep cord away from heat, oil, sharp edges or moving parts.** Damaged or entangled cords increase the risk of electric shock.
- e) **To reduce the risk of injury, use only the supplied charger when charging the tool.** And charge only the designated batteries, other types of batteries may burst causing personal injury and damage.
- f) **Make sure charger cord is located so that it will not be stepped on, tripped over, or otherwise subjected to damage or stress.**
- g) **The charger is designed to use standard household 230-240volt 50Hz power.** The charger's plug must match the outlet. Never modify the plug in any way. Unmodified plugs and matching outlets will reduce the risk of electric shock.
- h) **DO NOT** incinerate the tool or battery packs even if they are severely damaged or completely

Safety Information

Important - Please read these instructions fully before operating or maintaining

Electrical Safety of Tool and Charger (continued)

- worn out. The batteries can exploded in a fire. You should return it to a local battery collection point in accordance with Battery Regulations.
- i) **Disconnect charger from the power supply when not in use.** This will reduce the risk of electric shock or damage to the charger if metal items should fall into the opening.
 - j) **Shorting the battery terminals together may cause burns or a fire.** When battery pack is NOT in use, keep it away from other metal objects like paper clips, coins, keys, nails, screws, or other small metal objects that can make a connection from one terminal to another.
 - k) **A small leakage of liquid from the battery cells may occur under extreme usage, charging or temperature conditions.** This does not indicate a failure. However, If the outer seal is broken and this leakage gets on your skin:
 - wash quickly with soap and water.
 - Neutralize with a mild acid such as lemon juice or vinegar.
 - If the battery liquid gets in your eyes, flush them with clean water for a minimum of 10 minutes and seek immediate medical attention.

Operation Safety

- a) **Be certain the parts are fully tightened before operating the tool.** Check it periodically for tightness during use to avoid serious injury.
- b) **The battery is not fully charged at the factory.** Before attempting to use it ,it must be fully charged firstly.
- c) **The battery should be recharged when it fails to produce sufficient power on jobs which were easily done previously. DO NOT CONTINUE** using product with its battery in a depleted condition.
- d) **While charging, the charger may hum and become warm to touch.** This is a normal condition and does not indicate a problem.
- e) **To prolong battery life,** avoid leaving the battery on charge for extended periods of time.
- f) **Grip the tool securely.** Operator should one hand on the pole, the other on the handle. Keep finger off the trigger until ready to use.
- g) **Keep handle dry, clean and free from oil and grease.** Slippery handles do not allow for safe handling and control of the tool in unexpected situations.
- h) **Plan the cut carefully.** Be aware of the direction in which the branch will fall. Cut the lower branches first to allow the top branches more room to fall.
- i) **Never stand directly under the limb you are cutting.** Branches or limbs may fall in unexpected directions.
- j) **Remove long branches in several stages.**

Safety Information

Important - Please read these instructions fully before operating or maintaining

Operation Safety (continued)

- k) **Do not cut from the a ladder.** This is extremely dangerous. Leave this operation for professionals.
- l) **Carry the tool from one place to another** with battery removed and holding pole at balance point , with blades to rear and with scabbard attached.
- m) **Risk of cut.** Do not touch or try to stop the cutting blades when they are moving.
- n) **Check for damaged parts.** Before further use, carefully check the tool for damage. Check for alignment of moving parts, binding of moving parts, breakage of parts, mounting and any other condition that may affect its operation. Do not use the tool if any parts are damaged or defective. Have any damaged or defective parts repaired or replaced by an authorized service agent. Never attempt any repairs yourself.
- o) **Use the designated battery and battery charger.** Use of an attachment not recommended by manufacturer may result in a risk of fire, electric shock ,or injury to persons.
- p) **Do not force the power tool. Use the correct power tool for your application.** The correct power tool will do the job better and safer at the rate for which it was designed.
- q) **Do not use the power tool if the switch does not turn it on and off.** Any power tool that cannot be controlled with the switch is dangerous and must be repaired.
- r) **Disconnect the plug from the power source and/or the battery pack from the power tool before making any adjustments, changing accessories, or storing power tools.** Such preventive safety measures reduce the risk of starting the power tool accidentally.
- s) **DO NOT charge the battery in an air temperature below 5°C or above 45 °C.** This is important and will prevent serious damage to the battery. Longest life and best performance can be obtained if the battery is charged when air temperature is about 24°C.

Maintenance and Storage

- a) **Maintain tools with care.** Keep tools clean and in good condition for better and safer performance. Follow the instructions for maintenance and changing accessories. Keep handles and switches dry, clean and free from oil and grease.
- b) **Keep cutting tools sharp and clean.** Properly maintained cutting tools with sharp cutting edges are less likely to bind and are easier to control.
- c) **Store idle power tools out of the reach of children and do not allow persons unfamiliar with the power tool or these instructions to operate the power tool.** Power tools are dangerous in the hands of untrained users.
- d) **Store the appliance fully charged.**

Service

- a) **Have your tool repaired by an authorized service agent.** This tool is manufactured in accordance with the relevant safety regulations. To avoid danger, electrical appliances must only be repaired by qualified technicians.
- b) **DO NOT attempt to open the charger.** There are no customer serviceable parts inside. Return to any authorized service center.

Preparing to Operate the Hedge Trimmer

Step 1 - Removing the blade sheath

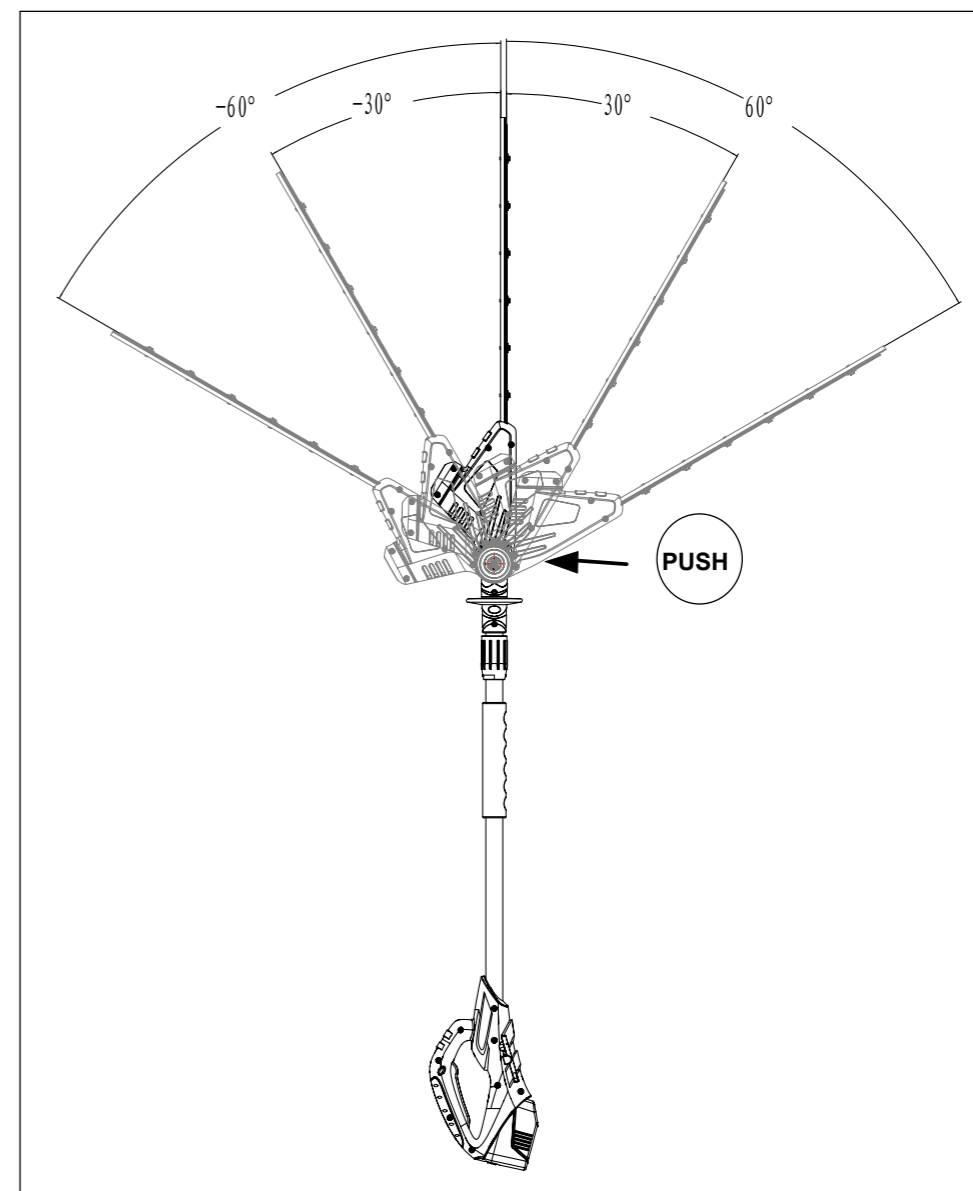


WARNING! Always wear safety gloves when doing any work on the pole hedge trimmer.

WARNING! Always remove battery pack from the appliance when doing any work on the pole hedge trimmer.

Remove the blade sheath from the blade of appliance carefully .

Step 2 - Adjusting the cutting angle



Turn the swivel handle to suitable position

Push the lock button and then turn the swivel handle to the desired position.

Release the lock button again and check whether the button is locked in place.



NOTE: The swivel handle can be locked in five positions (-60°, -30°, 0°, 30°, 60°).

Preparing to Operate the Hedge Trimmer

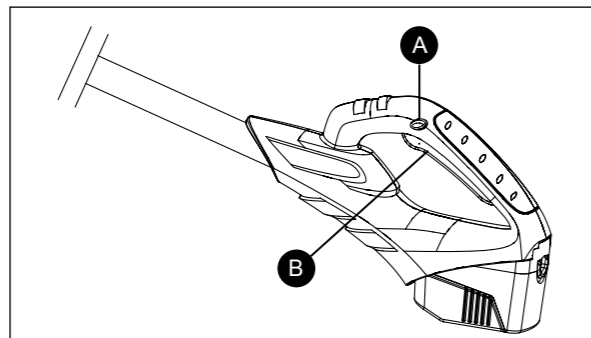
Step 3 - Adjusting the working height

This pole length of appliance can be adjusted by separating the intermediate pole from the appliance .

1. Loosen the thread sleeves of intermediate pole
2. Take out the intermediate pole from the appliance
3. Attaching the pole handle to the powerhead pole , When inserted, the arrow (A) should align with the arrow (B), and must be inserted fully. as shown in Fig.A on page 5 in Assembly Manual.
4. Tightening the locking knob in the "LOCK" direction. (IMPORTANT: Must turn the locking knob tightly.).

Operating the Hedge Trimmer

Step 1 - Switch on /off



NOTE **NOTE !** For your safety, this tool is equipped with a double switch system. This system prevents starting the tool inadvertently. You must push the Lock-off button (A), and then press the On/off switch (B).

Switching on

- Push the Lock-off button (A).
- Press the On/off switch (B) and release the Lock-off button (A).

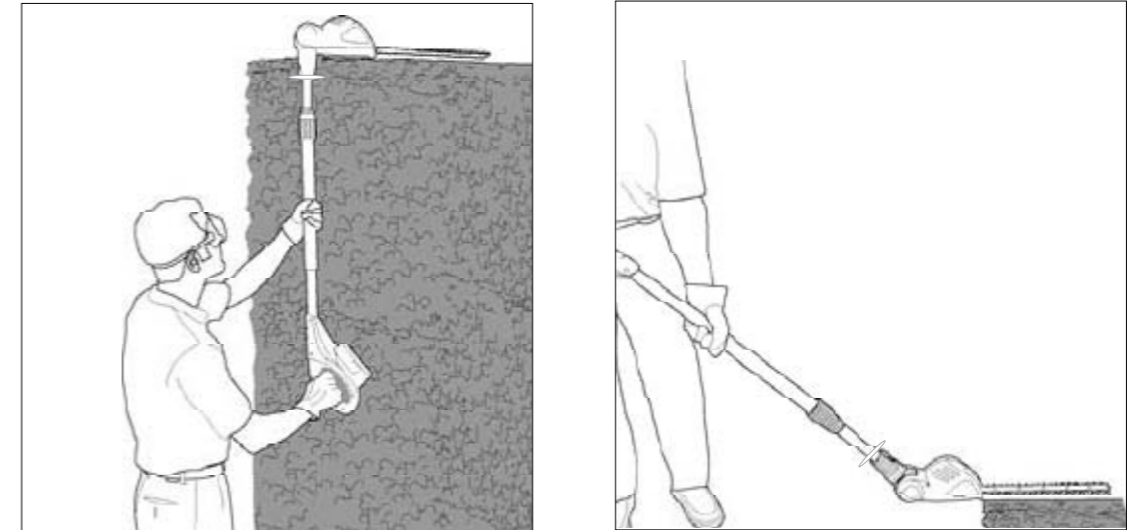
Switching off

- Release the On/off switch (B).

NOTE **NOTE!** Never attempt to lock the switch in the "on" position.

Operating the Hedge Trimmer

Step 2 - Cutting

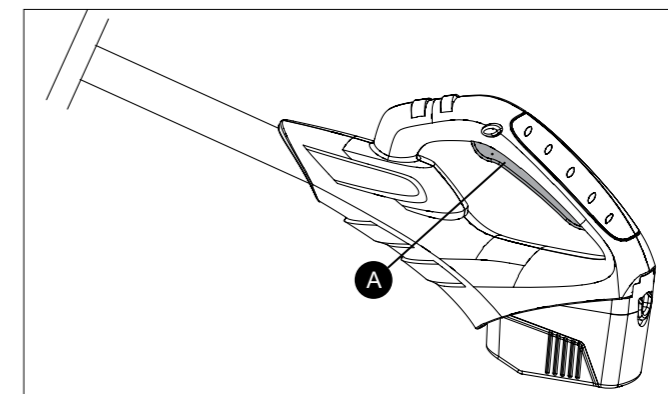


WARNING ! Cut and remove branches DO NOT exceeding the cutting capacity of this product .

With its unique design the pole Trimmer can be used to trim and shape hard to reach areas of hedges and bushes such as those shown in figure below .

Stopping

Stopping



Release the trigger (A),and the blade will stop in 2 seconds.

Maintenance and Repair

Maintenance and Repair



WARNING! Always switch the product off, disconnect it from the battery pack and let the product cool down before performing inspection, maintenance and cleaning work!

General

- 1). Clean the product with a slightly damp cloth and pH-neutral soap. Use a brush for areas that are hard to reach.
- 2). In particular clean the air vents after every use with a cloth and brush.
- 3). Remove stubborn dirt with high pressure air (max. 3 bar).
- 4). Check for worn or damaged parts. Replace worn parts as necessary or contact an authorised service centre for repair before using the product again.
- 5). Regularly check for obvious defects such as loose, dislodged or damaged cutting device, loose fixings and worn or damaged components.
- 6). Check that covers and guards are undamaged and correctly fitted. Carry out necessary maintenance or repairs before using the product.
- 7). This product does not contain any parts that can be repaired by the consumer. Contact a qualified specialist to have it checked and repaired.

Cutting Device



WARNING! Wear safety gloves when working on the cutting device and close to it! Use appropriate tools to remove debris e.g. a brush or wooden stick! Never use your bare hands!

- 1). Keep the cutting blade clean and free of debris. Remove trimmings.
- 2). Apply a small amount of suitable lubricant along the edge of the cutting device to retain a good cutting performance.
- 3). Keep the cutting blade sharp. Have a worn or damaged cutting device replaced with a new one of the same type by a qualified specialist.

Storing and Transportation

Storage

- 1). Clean the product as described above.
- 2). Attach the blade cover.
- 3). Store the product and its accessories in a dark, dry, frost-free, well-ventilated place.
- 4). Store the appliance fully charged.



IMPORTANT ! We strongly recommend the appliance be charged once every two months during storage.

- 5). Always store the product in a place that is inaccessible to children. The ideal storage temperature is between 10 and 30°C.
- 6). We recommend using the original package for storage or covering the product with a suitable cloth or enclosure to protect it against dust.

Storing and Transportation

Transportation

- 1). Switch the product off and disconnect it from battery pack before transporting it anywhere.
- 2). Attach the blade cover.
- 3). Always carry the product on its gripping surfaces.
- 4). Protect the product from any heavy impact or strong vibrations which may occur during transportation in vehicles.
- 5). Secure the product to prevent it from slipping or falling over.

Troubleshooting

General Troubleshooting



WARNING! Only perform the steps described within these instructions! All further inspection, maintenance and repair work must be performed by an authorised service centre or a similarly qualified specialist if you cannot solve the problem yourself!

Suspected malfunctions, disturbances or damages are often due to causes that the user can fix themselves. Therefore check the product using this section. In most cases the problem can be solved quickly.

Fault	Possible Cause	Solution
Product does not start	1. Not connected to battery pack 2. Battery pack is not charged 3. Other electrical defect to the product	1. Connect to battery pack 2. Charge the battery pack to full capacity. 3. Check by a specialist electrician
Product does not reach full power	1. Battery pack is low power 2. Air vents are blocked	1. Charge the battery 2. Clear the air vents
Unsatisfying result	1. Cutting blades are blunt	1. Have a specialist to replace it

Technical Data

Appliance

Motor Voltage	18V DC
Capacity.....	1.7Ah
No-load speed.....	1400/min
Cutting length.....	410mm
Cutting capacity.....	14mm
Net Weight.....	3.67kgs
Measured sound pressure level	88.2dB (A), k=3 dB (A)
Measured sound power level.....	98.3dB (A), k=3dB (A)
Guaranteed sound power level	101dB (A)
Vibration.....	Front handle :1.783m/s ² ,k=1.5m/s ²Rear handle :1.885 m/s ² ,k=1.5m/s ²

The declared vibration value has been measured in accordance with a standard test method and may be used for comparing one tool with another. The declared vibration value may also be used in a preliminary assessment of exposure.



WARNING! The vibration emission value during actual use of the tool can differ from the declared value depending on the ways in which the tool is used. Identify safety measures to protect the operator that are based on an estimation of exposure in the actual conditions of use (taking account of all parts of the operating cycle such as the times when the tool is switched off and when it is running idle in addition to the trigger time).

The sound intensity level for the operator may exceed 85dB(A) and ear protection measures are necessary.

Battery Pack

Nominal voltage.....	18V DC
Capacity.....	1.7Ah
Charging time.....	approx. 3-5 hrs

Charger

Rated voltage.....	230 - 240V ~ /50Hz
Nominal Consumption.....	12W
Output voltage of Charger.....	18V DC
Output current of Charger.....	400mA
Protection class	Class II
Protection category.....	IP 20

Recycling and Disposal

Disposal Instructions

1. Recycle unwanted materials instead of disposing of them as waste. All tools, hoses and packaging should be sorted, taken to the local recycling centre and disposed of in an environmentally safe way.
2. Recycle rather than dispose of unwanted material in landfill whenever possible. The machine must be delivered in rigid packaging to avoid damage during transportation. The packaging and the machine itself are manufactured from recyclable materials and should be disposed of accordingly.
3. Do not throw your clippings into a rubbish bin where it will be disposed of in landfill. You can dispose of clippings on your compost heap, alternating then with other garden material. The more thoroughly you chop the clippings beforehand, the more rapidly they will degrade. Alternatively, many communities provide a public collection point where you can dispose of your garden waste in an environmentally friendly manner.
4. Only dispose of electrical/electronic/battery items in separate collection schemes, which cater for the recovery and recycling of materials contained within. Your cooperation is vital to ensure the success of these schemes and for the protection of the environment.
5. Recycle packaging where facilities exist.



6. This symbol is known as the Crossedout Wheellie Bin Symbol. When this symbol is marked on a product or battery, it means that it should not be disposed of with your general household waste. Some chemicals contained within electrical/electronic products or batteries can be harmful to health.

Guarantee

Dear Customer,

In the unlikely event that your device develops a fault, please contact our Customer service department on the telephone number shown below.

1. These guarantee terms cover additional guarantee rights and do not affect your statutory warranty rights.

Claims must be accompanied by Proof of Purchase. This must be in the form of a Sales receipt or Bank statement and must show that the product has been purchased within 2 years prior to the claim, from the retailer that it was originally sold to.

2. Our guarantee covers problems caused by material or manufacturing defects, and will result in the repair of these defects or replacement of the device with a like for like or similar article. Please note that our devices have not been designed for use in commercial, trade or industrial applications. Consequently, the guarantee is invalidated if the equipment is used in commercial, trade or industrial applications or for other equivalent activities.

3. The following are also excluded from our guarantee:

- A) Faults due to accidents, customer misuse, or unauthorized repairs
- B) Consumable Parts such as Blades
- C) Failure due to lack of routine maintenance
- D) Failure as a result of not using the equipment in accordance with the manual and safety instructions
- E) The adjustment of cables, drive belts, or recoil starters

4. The guarantee is valid for a period of 2 years starting from the purchase date of the device. Guarantee claims should be submitted before the end of the guarantee period within two weeks of the defect being noticed. No guarantee claims will be accepted after the end of the guarantee period. The original guarantee period remains applicable to the device even if repairs are carried out or parts are replaced. In such cases, the work performed or parts fitted will not result in an extension of the guarantee period, and no new guarantee will become active for the work performed or parts fitted. This also applies when an on-site Service is used.

5. Please keep your sales receipt in a safe place. If the defect is covered by our guarantee your device will either be repaired under the terms of guarantee or we will send you a replacement device. This device may be re-conditioned or Like for like replacement.

Declaration of Conformity



EC Declaration of Conformity

Year of 1st Issue . **12H**

Homebase Ltd

489-499 Avebury Boulevard
Saxon Gate West
Milton Keynes
Buckinghamshire
MK9 2NW

We hereby certify that the product stipulated above complies with all the relevant provisions of the following EC new approach directive/s.

This declaration of conformity is issued under the sole responsibility of the manufacturer

Type of Product: Cordless pole hedge trimmer

Model Number: M0E-7ET-410

Cat / Article Number: 131606

Product Description:
18V DC ,1.7Ah Ni-Cd Battery pack
No-load speed:1400min⁻¹
Cutting length :410mm
Cutting width :14mm

Photograph:



Applicable EC Directives



2006/42/EC (MD)
2006/95/EC (LVD)
89/686/EEC (PPE)
2009/142/EC (Gas)



2004/108/EC (EMC)
2009/105/EC (Pressure)
2009/48/EC (Toys)
89/106/EEC (Construction)



1999/5/EC (R&TTE)
2000/14/EC Annex , 2005/88/EC
L_{WA} =88.2dB(A), L_{PA} = 98.3dB(A), K=3dB(A)
2004/26 /EC

Applicable Harmonized Standards:	Report Date	Verification of conformity	
		Certificate	Notified Body
EN 60745-1:2009+A11 EN ISO 10517:2009	2012-09-26	MD	TÜV Rheinland
EN55014-1:2006/+A1:2009 EN55014-2:1997/+A1:2001/+A2:2008	2012-04-01	EMC	ITS

Issued number: 1.0

Issued on : 2012-09-28

Signed :

Creator: Max Shi

Name : Roger Pantan-Kent

Position: QA

Position: Head of Quality Assurance

The associated technical file for this product can be found within Homebase Ltd idocument system