

SOVEREIGN

EASY GARDENING

30cm Push Cylinder Lawn Mower

ITEM NO. 310091
Model No. GT5614



Technical Support & Parts
01904 727509
Mon-Fri 9am-5pm Sat-Sun 11am-4pm
www.gardenservicecentre.co.uk

INSTRUCTION MANUAL

Please read these instructions fully before starting assembly.

CONTENTS

General safety warning	3
Intended use	7
Warnings symbols	8
In the box	9
Operation instruction	10
Maintenance	16
Troubleshooting	17
Technical data	17
Sharpening the blade	18
Disposal	19
Getting help	19
Warranty	20

GENERAL SAFETY WARNINGS

SAFETY WARNINGS



WARNING! Read all safety warnings and instructions.

Failure to follow the warnings and instructions may result in fire and/or serious injury.



WARNING! Read all safety warnings and instructions designated by the  symbol.

Save all warnings and instructions for future reference.

- Always ensure anyone intending to operate this mower is fully conversant with the contents of this instruction manual prior to assembling, maintaining or operating the mower.
- Perform assembly operations as described in this manual. Failure to observe this warning may lead to serious injury, death, or damage to the mower.
- Always take care when removing the packaging, to prevent damage to you or to the mower.

IMPORTANT! Before assembling the mower, check all the parts indicated in the manual are in the box. Inspect all the parts for signs of damage. Do not assemble the mower if you observe any damaged components.

TRAINING SAFETY

- Never allow children or people unfamiliar with these instructions to use the mower. Local regulation can restrict the age of the operator.

- Never mow while people, especially children or pets, are nearby.
- Keep in mind that the operator or user is responsible for accidents or hazards occurring to other people or their property.

PREPARATION SAFETY

- **While mowing, always wear substantial footwear and long trousers.** Do not operate the equipment when barefoot or wearing open-toed sandals.
- **Thoroughly inspect the area where the equipment is to be used, and remove all objects which can be thrown by the machine.**
- **Before using, always visually inspect to see that the blades, blade bolts and cutter assembly are not worn or damaged. Replace worn or damaged blades and bolts in sets to preserve balance.**

OPERATION SAFETY

- Mow only in daylight or in good artificial light.
- Always be sure of your footing on the slopes.
- Walk, never run.
- Exercise extreme caution when changing direction on slopes.
- Do not mow excessively steep slopes.
- Use extreme caution when reversing or pulling the mower towards you.

- Stop the blades if the mower has to be tilted for transportation when crossing surfaces other than grass, and when transporting the mower to and from the area to be mowed.
- Never operate the mower with defective guards, or without safety devices, for example, deflectors and/or grass catchers in place.
- Do not put hands or feet near rotating parts while the mower is being operated.

MAINTENANCE

- Keep all nuts, bolts and screws tight, to be sure the equipment is in safe working condition.
- Check the grass catcher frequently for wear or deterioration.
- Replace worn or damaged parts for safety.
- Be careful during adjustment of the mower to prevent entrapment of the fingers between moving blades and fixed parts of the mower.
- Caution! Do not touch rotating blade.

WORK AREA SAFETY

- **Keep work area clean and well lit.** Cluttered or dark areas invite accidents.
- **Keep children and bystanders away while operating the mower.** Distractions can cause you to lose control.

PERSONAL SAFETY

- **Stay alert, watch what you are doing and use common sense when operating the mower. Do not use this mower while you are tired or under the influence of drugs, alcohol or medication.** A moment of inattention while operating this mower may result in serious personal injury.
- **Use personal protective equipment (PPE).** Always wear eye protection and non-skid safety shoes.
- **Do not overreach.** Keep proper footing and balance at all times. This enables better control of the mower in unexpected situations.
- **Dress properly. Do not wear loose clothing or jewellery. Keep your hair, clothing and gloves away from moving parts.** Loose clothes, jewellery or long hair can be caught in moving parts.

USE AND CARE

- **Do not force the machine. Use the correct machine for your application.** The correct machine will do the job better and safer at the rate for which it was designed.
- **Do not use the machine if any parts of the machine is damaged or broken.** Any machine that is damaged or broken is dangerous and must be repaired.

- **Store an idle machine out of the reach of children, and do not allow persons unfamiliar with the machine or these instructions to operate the machine.** This machine is dangerous in the hands of untrained users.
- **Maintain the machine. Check for misalignment or binding of moving parts, breakage of parts and any other condition that may affect the machine's operation. If damaged, have the machine repaired before use.** Many accidents are caused by poorly maintained machines.
- **Keep cylinder blades sharp and clean.** Properly maintained cutting blades with sharp cutting edges are less likely to bind and are easier to control.

INTENDED USE

Thank you for purchasing a Hand Push Cylinder Mower.

We would like you to be completely satisfied with your new product and hope you will enjoy using this tool for many years.

Your Hand Push Cylinder mower has been designed for cutting grass and similar soft vegetation in private and hobby garden areas.

The device is not permitted to be used in public gardens, parks, sports centres or at roadsides, as well as agriculture and forestry.

Caution: Carefully read this entire Instruction Manual before using this product.

We are confident that this product will meet and exceed your expectations of quality and reliability. Please take the time to carefully read this entire instruction manual before using your new product, and take note of the basic safety precautions contained herein.

WARNINGS SYMBOLS

The rating plate on your tool may show symbols. These represent important information about the product or instruction on its use.



Read instruction manual before operating or attempting any maintenance work.



Indicates danger, warning, or caution.



Do not run the machine over objects. They can be thrown and cause severe injury.



Keep bystanders, especially children and pets, at a distance of greater than 10m.



Do not put your hands near the rotating blades.



Avoid injury, do not place hands or feet near the rotating blade.

IN THE BOX

1. Upper handle
2. Handle extensions
3. Lower handle
4. Cylinder blade
5. Mower body
6. Grass collecting box
7. Cutting height adjustment knob
8. Wheels
9. Grass collecting box support strap



OPERATION INSTRUCTION



WARNING! Before using the tool, read the instruction book carefully.

FITTING THE HANDLE

Slide the upper handle over the two handle extensions until the holes are lined up, then secure using the nuts and screws provided (see Fig. A).



Align the two holes on one of the handle extensions with those on the lower handle. Secure them together using the nuts and screws provided. Repeat the process with the other handle extension (see Fig. B1, B2 & B3).



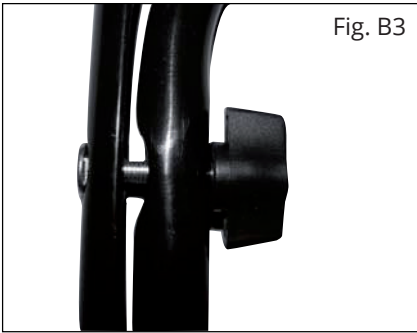


Fig. B3

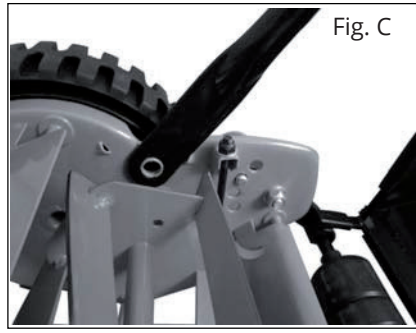


Fig. C

Now the handle is fully assembled, and ready to be attached to the mower head.

To attach the handle to the mower head, locate the two metal lugs found forward of the cutting bar adjustment knobs. To attach the handle, insert one of the large holes in the handle arm over the lug, then repeat the same process with the other side. It may be required to use some force to squeeze the two arms together to allow room for locating the second arm over the remaining metal lug.

ASSEMBLE THE GRASS COLLECTION BOX

The grass collection box need to be assembled well before use (see Fig. D1).

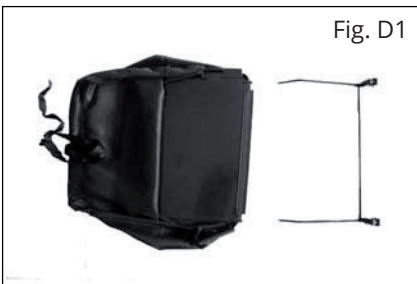
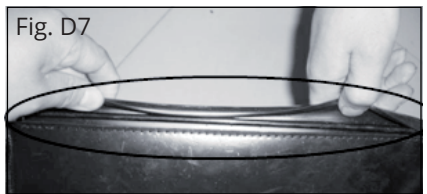
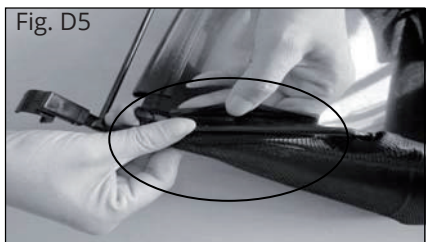


Fig. D1

Insert the metal frames into the plastic holes (see Fig. D2, D3 & D4).



Wrap the metal frames by the plastic hems (see Fig. D5, D6 & D7).

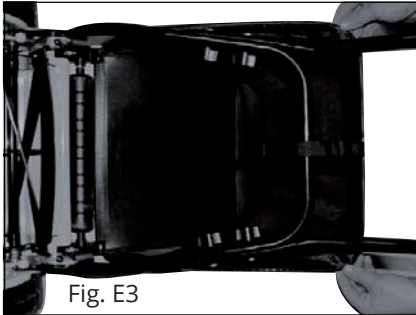


FITTING THE GRASS COLLECTION BOX



WARNING! The grass collection box must be fitted before using the mower.

Attach the box to the lawn mower body by sliding the holes in the front of the box over the attachment hooks in front of the cutting height roller, also fit the grass box support strap so that the rear of the box is clear of the ground in normal use (see Fig. E1, E2 & E3).



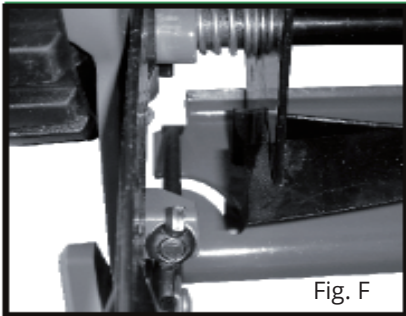
FIXED BLADE SETTING



WARNING!

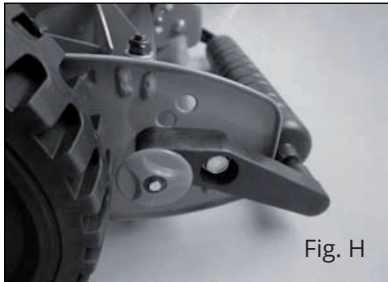
This operation will have to be done whilst carefully turning the cylinder blade. We strongly recommend that thick gardening gloves are worn. The fixed blade must be set correctly in order for the lawnmower to work efficiently.

Carefully tighten the two adjusting knobs by turning them slowly in the clockwise direction. When the cylinder blade just makes contact with the fixed blade turn the rotating knobs slightly in an anticlockwise direction until the rotating blade turns without touching the fixed blade (see Fig. F).



ADJUSTING THE CUTTING HEIGHT

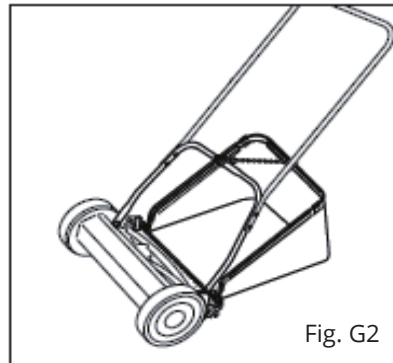
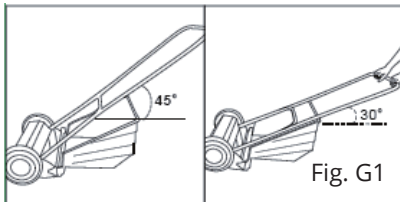
Depending on the length of grass you are cutting you, may want to adjust the cutting height of the lawnmower. This can be done by raising or lowering the cutting height roller. To adjust the cutting height, pull the cutting height adjustment knobs on both sides away from the mower body, and then move them forward or backward to adjust the cutting height. Make sure knobs are in the same height at both sides.



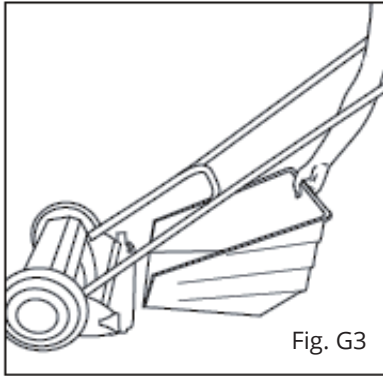
EMPTYING THE GRASS COLLECTING BOX

Unhook the support strap from the box and tilt the mower handle back (see Fig. G1).

Lift the handle a little, then take out the box (see Fig. G2).



Refit the box and support strap. Unhook the support strap from the box and tilt the mower handle back. Lift the handle a little, then take out the box (see Fig. G3).



MAINTENANCE

Note: To ensure long and reliable service, carry out the following maintenance regularly.

Check for obvious defects such as loose, dislodged blades, loose fixings, and worn or damaged components. Check that covers and guards are undamaged and correctly fitted.

Carry out necessary maintenance or repairs before using. If the lawnmower should happen to fail despite the care taken in manufacture and testing, repair should be carried out by an authorised service agent.

After mowing/storage, clean the exterior of the machine thoroughly using a soft brush and cloth. Do not use water, solvents or polishes.

Store the lawnmower in a dry place. Do not place other objects on top of the machine.

TROUBLESHOOTING



WARNING!

Only perform the steps described within these instructions! All further inspection, maintenance and repair work must be performed by an authorised service centre or a similarly qualified specialist if you cannot solve the problem yourself.

Suspected malfunctions, disturbances or damages are often due to causes that the user can fix themselves. Therefore, check the product using this section. In most cases, the problem can be solved quickly.

Problem	Possible Cause	Solution
Unsatisfying cutting result	- Blade clearance is too wide	- Adjust the blade clearance, refer to maintenance section
Machine is too noisy and difficult to operate	- Blade clearance is too narrow	- Adjust the blade clearance, refer to maintenance section

TECHNICAL DATA

Grass collecting box	23 litres
Cutting width	30cm
Variable cutting heights	18-38mm 4pos
Weight	6.4kg

SHARPENING THE BLADE

Before taking the time and effort to sharpen the blades, make sure that it needs sharpening. Most of all issues can be solved by ensuring the blades are properly adjusted (see ADJUSTMENTS section).

1. Prop up the push reel mower so that the blade reel can be rotated by turning the wheels.
2. Check the blades for nicks and burrs. If any damage is found, it can usually be removed by holding a file flat against the blade and pushing away from the edge.
3. Examine the cutting bar; it should just meet the blades along their entire length. (To make sure the cutting bar is located correctly, grasp a wheel and turn it forward; you should hear a whispery sound as the blades pass the cutting bar).
4. If the bar is out of alignment, adjust using the adjustment knobs on the ends of the bar (see ADJUSTMENTS section).
5. Using your fingers or a soft paintbrush, cover the blades with a thin, even coat of automotive valve-grinding compound (available at automotive stores).
6. Grasp a wheel and turn it slowly backward so the grinding compound is squeezed between the blades and the cutting bar, thereby sharpening both cutting edges as they pass each other. Be sure that each blade touches the bar as the wheel is rotated.
7. Make about a dozen turns, applying more grinding compound when necessary.
8. Examine the blade edges. If they look sharp, wash off all the valve compound with soapy water and rinse thoroughly.
9. Test for sharpness. Insert a sheet of newspaper between the blades and the cutting bar, and rotate the reel forward. When the blades cut the paper as easily and as cleanly as a sharp pair of scissors would, the task is complete.

Note: After each use, hose the mower clean and wipe it dry.
Wipe all the metal parts with a thin film of WD-40 or mineral oil.

DISPOSAL

The mower and its accessories are made of various recyclable materials. Dispose of the mower in accordance with your local recycling regulations.

GETTING HELP

Our dedicated UK based customer helpline is open 7 days a week to assist you with assembly, parts queries and technical support. We are open during office hours but you can always send an email via **support@gardenservicecentre.co.uk**. Our experts are here to get you back enjoying your garden in no time.

For useful assembly, starting and maintenance videos, and for ordering spares, please visit **www.gardenservicecentre.co.uk**

Calling our service does not affect your statutory rights.

WARRANTY

Any claim under this warranty must be made within 12 months of the date of purchase. To make a claim under the warranty, take the product (with proof of purchase) to your local store.

HHGL Limited bears reasonable, direct expenses of claiming under the warranty.

You may submit details and proof to our store for consideration. The warranty covers manufacturer defects in materials, workmanship and finish under normal use.

This warranty is provided in addition to other rights and remedies you may have under law: our goods come with guarantees which cannot be excluded under the UK Consumer Rights Act 2015.

You are entitled to a replacement or refund for a major failure and to compensation for other reasonably foreseeable loss or damage. You are also entitled to have the goods repaired or replaced if the goods fail to be of acceptable quality and the failure does not amount to a major failure.

The warranty excludes damage resulting from product misuse or product neglect. The warranty covers domestic use only and does not apply to commercial applications.

This warranty is given by HHGL Limited, MK9 1BA, HHGL (ROI) Limited, D02 X576