

# SOVEREIGN

## 2000W HEAT GUN

Item No. 594451

Model No. MJHG013



## ORIGINAL INSTRUCTION MANUAL

Please read these instructions fully before starting assembly.

HHGL Limited, MK9 1BA; HHGL (ROI) Limited, D02 X576

Mar 21



# CONTENTS

CONTENTS	2
GENERAL SAFETY WARNINGS	3
WARNING SYMBOLS	9
IN THE BOX	10
OPERATION	11
MAINTENANCE AND STORAGE	18
TECHNICAL DATA	19
RECYCLING AND DISPOSAL	21
UK PLUG	21
GETTING HELP	22
WARRANTY	23

## GENERAL SAFETY WARNINGS



**WARNING! Read all safety warnings, instructions, illustrations and specifications provided with this power tool.** Failure to follow all instructions listed below may result in electric shock, fire and/or serious injury.

**Save all warnings and instructions for future reference.** The term "power tool" in the warnings refers to your mains-operated (corded) power tool or battery-operated (cordless) power tool.

- a) **This heat gun is not intended for use persons (including children) with reduced physical, sensory or mental limitations or a lack of experience and knowledge.** Unless they have been given supervision or instruction concerning use of the appliance by a person responsible for their safety.
- b) **Otherwise there is a risk of operating errors and injury.**
- c) **Supervise children during use, cleaning and maintenance.** This will ensure that children do not play with the heat gun.
- d) **Handle the power tool with care.** The power tool produces intense heat which increases the risk of fire and explosion.
- e) **Take particular care when working in the vicinity of flammable materials.** The hot airflow or hot nozzle may ignite dust or gases.

- f) Do not work with the power tool in potentially explosive areas.**
- g) Do not aim the hot airflow at the same area for prolonged periods.** Working with plastic, paint, varnish or similar materials may produce easily flammable gases.
- h) Please be aware that heat is directed to covered flammable materials, which may ignite.**
- i) Safely place the power tool on the storage surfaces after use and let it cool completely before packing it away.** The hot nozzle can cause damage.
- j) Do not leave the switched-on power tool unattended.**
- k) Store idle power tools out of the reach of children.** Do not allow persons unfamiliar with the power tool or these instructions to operate the power tool. Power tools are dangerous in the hands of untrained users.
- l) Do not expose the power tool to rain or wet conditions. Water entering a power tool will increase the risk of electric shock.**
- m) Do not misuse the cable, for example by using it to carry, hang up or unplug the power tool.** Keep the cable away from heat and oil. Damaged or entangled cords increase the risk of electric shock.
- n) Always wear safety goggles.** Safety goggles reduce the risk of injury.

- o) Pull the plug out of the socket before adjusting the tool settings, changing accessories, or storing the power tool.** Such preventive safety measures reduce the risk of starting the power tool accidentally.
- p) Always check the power tool, cable and plug before use. Stop using the power tool if you discover any damage.** Do not open the power tool yourself, and have it repaired only by a qualified specialist using only original replacement parts. Damaged power tools, cables and plugs increase the risk of electric shock.
- q) Keep your work area well-ventilated.** The gas and steam produced during work are often harmful to one's health.
- r) Wear protective gloves and do not touch the nozzle while it is hot.** There is a risk of burns.
- s) Do not direct the airflow at persons or animals.**
- t) Do not use the power tool as a hair dryer.** The outgoing airflow is considerably hotter than that of a hair dryer.
- u) Do not allow foreign objects to enter the power tool.**
- v) The distance between the nozzle and the workpiece depends on the material you are working on (metal, plastic, etc.) and the intended working method.** Always test the amount of air and temperature first.
- w) If operating the power tool in a damp location is unavoidable, use a residual current device**

**(RCD) protected supply.** Use of an RCD reduces the risk of electric shock.

- x) Never use the power tool if the cable is damaged.** Do not touch the damaged cable and pull out the mains plug if the cable is damaged while working. Damaged cables increase the risk of an electric shock.

## **Service**

- a) Have your power tool serviced by a qualified repair person using only identical replacement parts.** This will ensure that the safety of the power tool is maintained.

## **ADDITIONAL SAFETY INSTRUCTIONS FOR HEAT GUN**

1. A fire may result if the product is not used with care, therefore:
  - be careful when using the product in places where there are combustible materials,
  - do not apply to the same place for a long time,
  - do not use in presence of an explosive atmosphere,
  - be aware that heat may be conducted to combustible materials that are out of sight,
  - place the product on its stand after use and allow it to cool down before storage,
  - do not leave the product unattended when it is switched on.

2. Keep other people, especially children and pets, out of the working area during operation and before the work area is cleaned thoroughly.
3. Keep away from the hot air outlet. This product releases an air stream of high temperature that can cause serious burns and personal injury.
4. Clean up all paint scrapings and dust. Do not sweep. Dry dust or vacuum, in order to avoid paint dust being thrown up into the air where it can be inhaled, or contaminate other areas. Wet mop floors. Use a wet cloth to clean all walls, sills and other surfaces where paint and dust have accumulated.
5. Dispose of paint scrapings properly.
6. Do not obstruct either the air vents or nozzle outlet, as this may cause excessive heat build up resulting in damage to the product.
7. Do not direct the hot air blast at people.
8. Always place the product on its stand after use and allow it to cool down before storage, and never touch the heat deflector.

# WARNING SYMBOLS



Warning!



Read the instructions



Wear ear protection



Wear eye protection



Wear a dust mask



Class II tool



The product complies with the applicable European directives, and an evaluation method of conformity for these directives was done.

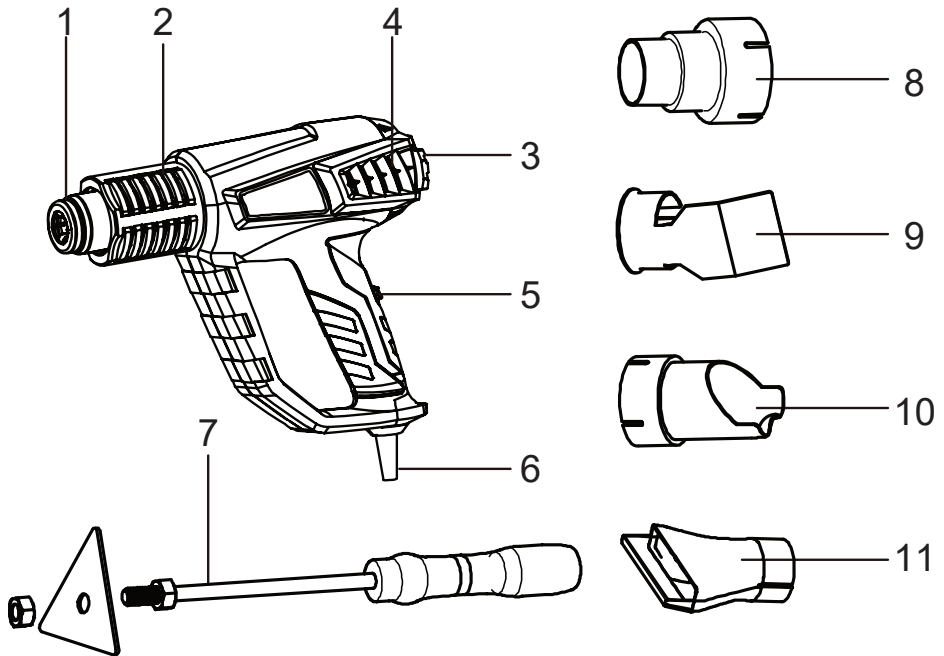


Recycle unwanted materials instead of disposing of them as household waste. All tools, hoses and packaging should be sorted, taken to the local recycling centre and disposed of in an environmentally safe way.



The product complies with the applicable UK directives, and an evaluation method of conformity for these directives was followed.

# IN THE BOX



## Description

- 1. Nozzle
- 2. Heat protection housing
- 3. Supporting stand
- 4. Ventilation
- 5. On/Off switch
- 6. Power cord
- 7. Scraper
- 8. Concentration nozzle
- 9. Hook nozzle
- 10. Glass protection nozzle
- 11. Flat nozzle

## OPERATION



**NOTE:** Before using the tool, read the instruction book carefully.

## INTENDED USE

This product is intended for removing paint, forming and bending of plastic tubes, and the warming of heat-shrinkable tubing, using the respective nozzles. The product is also suitable for soldering and tinning, loosening adhesive joints and defrosting water pipes.

This product must not be used on clothing or drying the hair, or other body parts of pets and humans.

For safety reasons, it is essential to read the entire instruction manual before first operation and to observe all the instructions herein.

This product is intended for private domestic use only, not for any commercial trade use. It must not be used for any purposes other than those described.

### 1. SWITCHING ON/OFF

#### **Switching on:**

To put into operation, slide the switch (5) to position 1, 2 or 3.

#### **Switching off:**

To switch off, slide the on/off switch (5) to the stop position 0.

After working for a longer time with high temperature, allow the unit to cool by running in the cold air setting 1 before switching off.

### 2. THERMO-PROTECTION SWITCH-OFF

When the heater is overloaded (e.g. as a result of restricted

air flow), the unit switches it off automatically; however, the blower continues to run. When the unit has cooled to operating temperature, the heater is switched on again.

### **3. SETTING THE AIR FLOW AND TEMPERATURE**

The switch (5) can be set to three blower steps. Suitable air flow and temperature combinations can be selected according to the applications.

I = 50°C, 500L/min

II = 400°C, 250L/min

III = 600°C, 500L/min

The cold air setting I is suitable for cooling a warmed workpiece or for the drying of paint. It is also suitable for cooling the unit before placing down or the changing of nozzles.

The air setting II is suitable for bending plastic and heating shrinking plastic.

The air setting III is suitable for stripping paint and defrosting pipes.

### **4. NOZZLES AND SCRAPER**

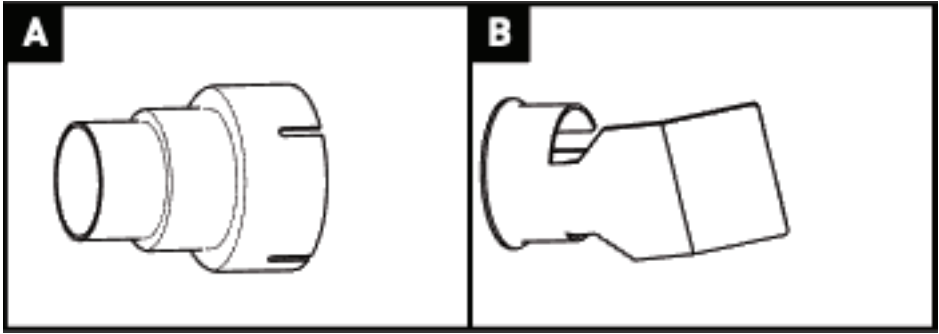
The kit is supplied with 4 different shaped nozzles and 1 scraper, which can be used as follows:

#### **1) CONCENTRATION NOZZLE (SEE FIG. A)**

This nozzle directs a concentrated heat flow to the workpiece. It is ideal for use when removing paint in awkward corners, crevices, moldings, beading, architraves or whenever precise paint removal is required.

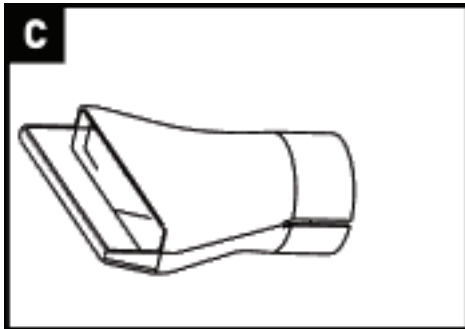
#### **2) HOOK NOZZLE (SEE FIG. B)**

This nozzle disperses the heat flow evenly around the whole workpiece. It is ideal for defrosting frozen pipes, soldering pipe work, bending plastics and heat-shrinking electrical parts.



### 3) FLAT NOZZLE (SEE FIG. C)

This nozzle directs a long narrow heat pattern to the workpiece, and is ideal for removing paint or varnish from large flat surfaces, such as skirting boards, doors, stairs, etc. It should be used in conjunction with a flat scraper. Vinyl tiles can be removed by softening the tile and adhesive.

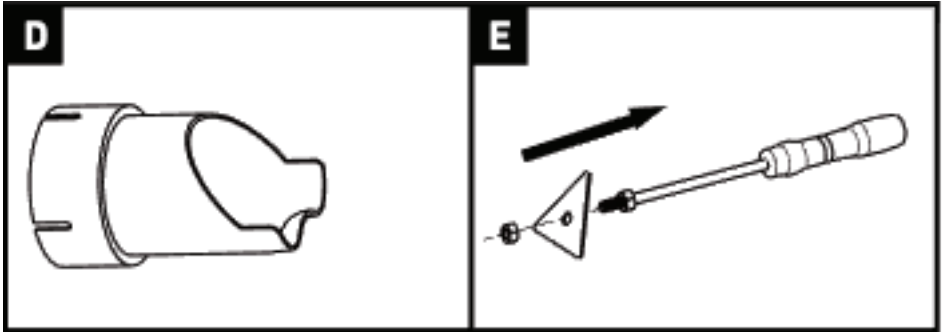


### 4) GLASS PROTECTION NOZZLE (SEE FIG. D)

This nozzle is for deflecting air flow. On profiled surfaces, varnish can be removed using an appropriately fitting spatula and brushed off with a soft wire brush.

### 5) SCRAPER (SEE FIG. E)

Take the handle from the set, remove the nut from the end, and fit the triangle blade in place by refitting and tightening the nut. The triangular shave hook is ideal for stripping paint from flat wooden surface and edges. Remember to clean the blade after use with wire wool and lightly oil before storing.



## 5. REMOVING PAINT (SEE FIG. F)

Choose the required nozzle and fit onto the heat outlet. Select the scraper or shave hook required. Hold the gun with the nozzle approximately 50mm (2inch) from the surface of the paintwork and, starting with the lower heat setting, move it slowly backwards and forwards until the paint blisters and bubbles. Immediately remove the paint with the scraper or shave hook.

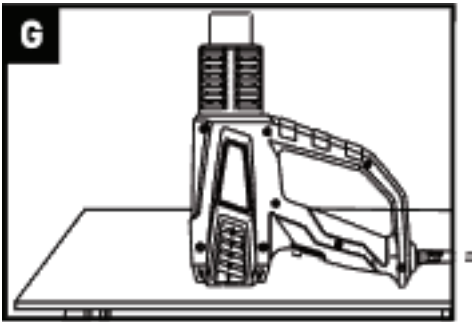
Aim to heat the paint just ahead of the scraper so that you can develop a continuous action.

Do not heat the paint for too long, as this will burn the paint making it difficult to remove.

Most stickers can also be removed from paintwork by using the heat to soften the adhesive. Be careful not to direct the heat for too long if you are trying just to remove the stickers, as this will blister the paint.



**6. WHEN NOT IN USE, JUST LET THE TOOL STAND AS SHOWN IN FIG.G.**



## **7. REMOVING PAINT FROM WINDOW FRAMES**

Always use the glass protection nozzle. Ensure you have the nozzle facing the correct way to deflect the heat away from the glass before you switch on. Rotate the gun or nozzle 90° as you move to horizontal or vertical bead. Allow the nozzle to cool before attempting to turn it. Paint can be removed from profile surfaces by using a shave hook and/or a soft wire brush.



**WARNING!** Glass can break easily.

## 8. DEFROSTING FROZEN PIPES

Choose the hook nozzle and fit over the heat outlet. Always heat from one or other end of the frozen portion, not from the middle.



**WARNING!** Do not attempt to defrost PVC pipes.  
Always check that it is a water pipe and not a gas pipe.  
Do not heat a gas pipe.

## 9. SHRINK SEATING ELECTRICAL CABLES

Choose the hook nozzle and fit over the heat outlet. Select a heat-shrinkable sleeve with a diameter matching that of the workpiece. Evenly heat the sleeve.

# MAINTENANCE AND STORAGE



## IMPORTANT:

Make sure that the tool has been thoroughly cleaned before storing it in a clean, dry and safe place, out of the reach of children.

1. Switch the product 'OFF' and disconnect it from the power supply before transporting it anywhere.
2. Always carry the product on its gripping surfaces.
3. Protect the product from any heavy impact or strong vibrations which may occur during transportation in vehicles.
4. Secure the product to prevent it from slipping or falling over.

## TECHNICAL DATA

<b>Model</b>	<b>MJHG013</b>
Voltage/power	220-240V~ 50Hz 2000W
Flow and temperature	I:50°C, 500L/min II:400°C, 250L/min III: 600°C, 500L/min
Protection class	□ / II
Weight	1kg

# RECYCLING AND DISPOSAL



Waste electrical products should not be disposed with household waste. Please recycle where facilities exist. Check with your local authority or retailer for recycling advice.

# UK PLUG

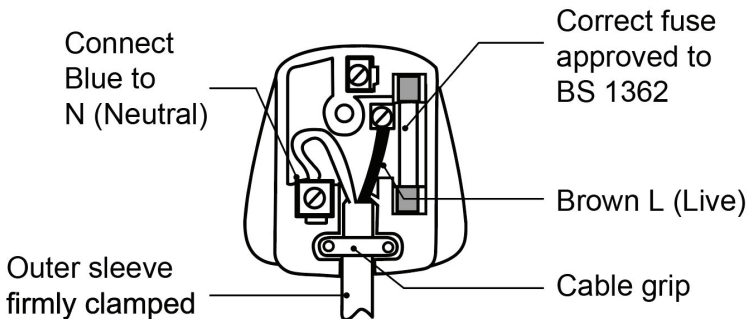
If you need to replace the fitted plug then follow the instructions below.

**IMPORTANT:** The wires in the mains lead are coloured in accordance with the following code: **Blue-Neutral, Brown-Live**



**WARNING!** Never connect live or neutral wires to the earth terminal of the plug. Only fit an approved 13Amp BS1363/A plug and the correct rated fuse.

As the colours of the wire in the mains lead of this product may not correspond with the coloured markings identifying the terminals in your plug, proceed as follows: The blue wire must be connected to the terminal marked N or coloured black. The brown wire must be connected to the terminal marked L or coloured red.



## GETTING HELP

Our dedicated UK-based customer helpline is open 7 days a week to assist you with assembly, parts queries and technical support. We are open during office hours but you can always send an email via **support@coreservice.co.uk**. Our experts are here to get you back enjoying your garden in no time.

For useful assembly, starting and maintenance videos, and for ordering spares, please visit **www.coreservice.co.uk**.

Calling our service does not affect your statutory rights.

# WARRANTY

This product is covered by a 1 year warranty.

The warranty covers any manufacturing defect in materials, workmanship and finish.

Any claim under this warranty must be made by going to your nearest Homebase store, taking your proof of purchase with you, and claims must be made within 12 months of the date of purchase.

We will offer you a free repair of the item where this is possible, or a replacement or a refund. Your statutory rights remain unaffected, in particular any rights you may have under the Consumer Rights Act 2015.

This warranty is given by HHGL Limited, MK9 1BA and HHGL (ROI) Limited, D02 X576.

Please note: This warranty does not apply to products misused or neglected and only covers domestic use. It does not apply to commercial use of the product. In addition, the warranty will be void for the following reasons: Any damage resulting from product misuse or product neglect.