



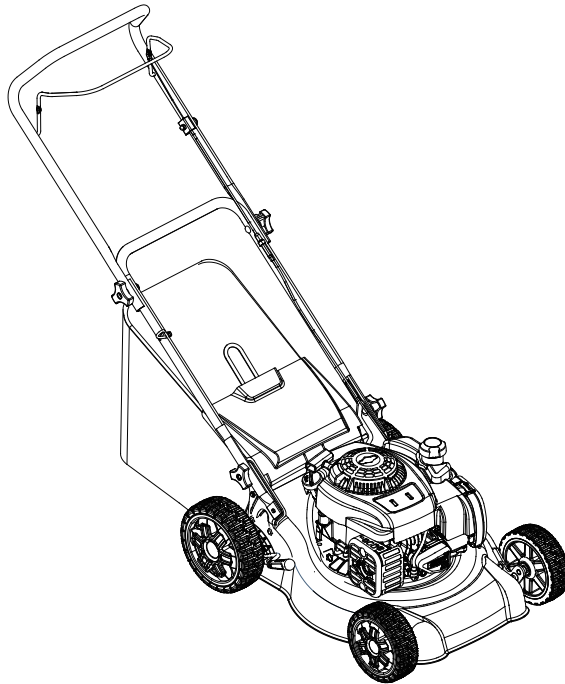
# YARD FORCE®

Model Y2GMB41PC00

## PETROL LAWNMOWER

**125cc, 41cm**

Original Operating Manual



Service centre:

SUMEC UK

Unit A&B Escrick Business Park

Escrick, York

YO19 6FD

Helpline: 01904 727513

Email: [support@yardforce.co.uk](mailto:support@yardforce.co.uk)

[www.yardforce.co.uk](http://www.yardforce.co.uk)

# YARD FORCE

## Y2GMB41PC00 Operating Manual

### TABLE OF CONTENTS

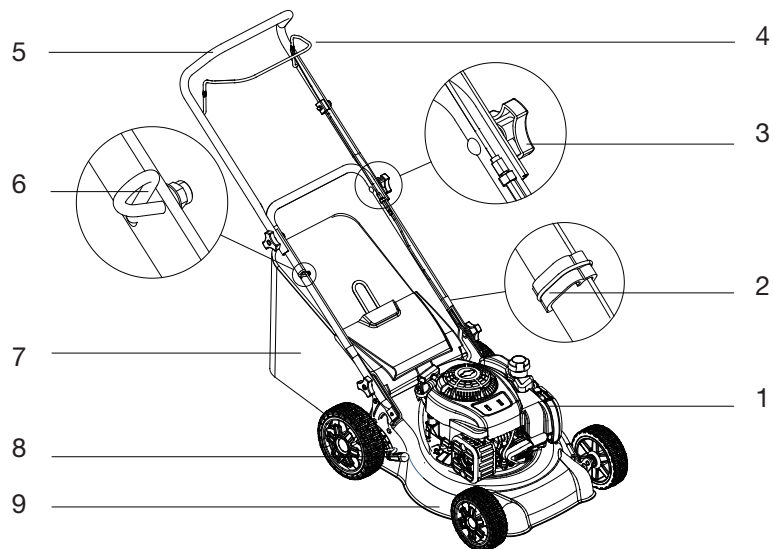
Description of Product Parts	2
Technical Specifications	4
Intended Use	4
Safety Information	5
Assembly	9
Adjustment	11
Operation	12
Storing and Maintenance	17
Troubleshooting	22
Declaration of Conformity	23



Read this manual carefully prior to assembling and operating the lawnmower. It is dangerous to operate this product without being familiar with these instructions. Keep this manual in a safe place and have it ready for future reference.

## DESCRIPTION OF PRODUCT PARTS

Fig 1



As shown in Fig 1

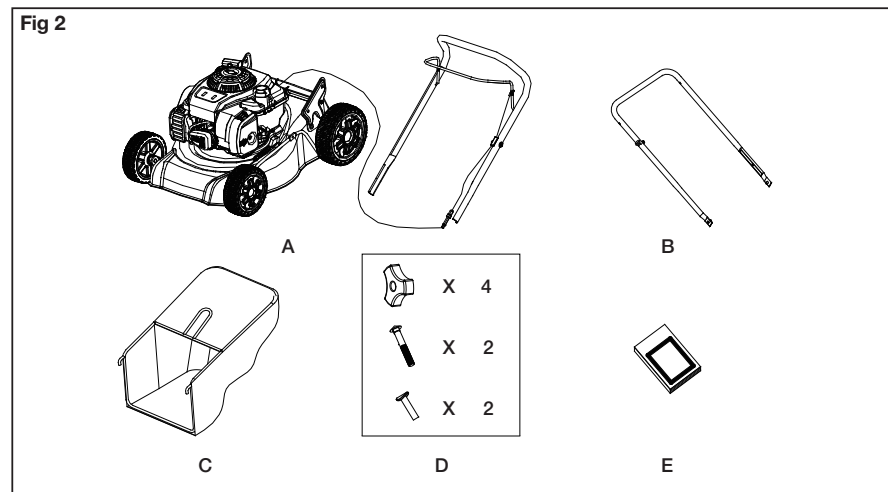
1. Engine-B&S 300
2. Cable clip
3. Hand tensioning knob
4. Start/stop lever
5. Top handle
6. Rope guide
7. Grass bag
8. Cutting height adjustment lever
9. Deck

## DESCRIPTION OF PRODUCT PARTS

### Check the box content

As shown in Fig 2

Fig 2



- A. Main mower deck (with upper handle)
- B. Lower handle
- C. Grass bag
- D. Accessories
- E. Manual



**WARNING:** If any parts are damaged or missing, do not operate this tool until the missing parts are replaced. Failure to heed this warning could result in serious personal injury.



**NOTE!** Always recycle the packaging in accordance with local recycling schemes.



**WARNING:** This item requires a two person lift to remove from the packaging. Make sure that you have sufficient space to put the lawnmower down. Keep your feet apart so that you have a stable position, bend at the knees and keep your back straight.

## TECHNICAL SPECIFICATIONS

Item No.	Y2GMB41PC00
Engine type	Single cylinder 4-stroke
Engine displacement	125cc
Engine power	1.8 kw
Engine speed	3000 rpm
Cutting width	41 cm
Grass bag capacity	45 L
Fuel tank capacity	0.8 L
Oil tank capacity	0.47 L
Measured sound power level	93 dB(A)
Guaranteed sound power level	96 dB(A) K=3 dB(A)
Vibration	5 m/s <sup>2</sup> k=1.5 m/s <sup>2</sup>
Spark type	QC12YC
Net weight	21.5 kg

## INTENDED USE

This petrol lawnmower has been designed for cutting lawn areas for domestic use.

The manufacturer cannot be held liable for damage caused by improper or incorrect usage.

Please note that our equipment has not been designed for use in commercial, trade or industrial applications. Our warranty will be voided if the machine is used in commercial, trade or industrial businesses or for the equivalent purposes.

## SAFETY INFORMATION

### Reading and storing the instruction manual



This instruction manual accompanies this lawnmower. It contains important information on start-up and handling. Before using the lawnmower, read the instruction manual carefully. This particularly applies for the safety notes. Failure to heed this instruction manual may result in severe injury or damage to the lawnmower. The instruction manual is based on the standards and rules in force in the European Union.

Store the instruction manual for future use. If you pass the lawnmower on to third parties, please ensure to include this instruction manual.

You can request an electronic version of these instructions from our customer service.

### SAFETY SYMBOLS

The following symbols and signal words are used in this instruction manual, on the lawnmower or on the packaging.



Read and understand all instructions before operating the product, follow all warnings and safety instructions.



Keep all bystanders, especially children and pets at least 15m away from the operating area. Objects thrown by the product could hit the user or other bystanders.



Beware of sharp blades. Blades continue to rotate after the motor is switched off. Remove disabling device before maintenance.



Wear ear and eye protectors when using the product.



Stay clear of mower blades as long as motor is running.



Guaranteed sound power level value in 96 dB.

## SAFETY INFORMATION



Hot surfaces will burn fingers or palms.



Always use high quality detergent oil classified SAE30 oil. Always use clean, fresh unleaded petrol and purchase fuel in quantities that can be used within 30 days.



Blade continues to rotate after the machine is switched off. Do not touch the blade until all the machine components have been stopped completely.



Warning! The lawnmower exhaust gas contains toxic substances. Do not run the engine in closed or poorly ventilated areas.



The product complies with the applicable European directives and an evaluation method of conformity for these directives was done.

## SAFETY NOTES



### WARNING!

When using petrol tools, basic safety precautions, including the following, should always be followed to reduce the risk of serious personal injury and/or damage to the unit.

Read all these instructions before operating this product and keep them stored in a safe place for future reference.

- Keep this operating and maintenance manual in a safe place for reference at a later date.
- Read the instructions carefully. Be familiar with the controls and the proper use of the equipment.
- Never allow children or people unfamiliar with these instructions to use the lawnmower. Local regulations can restrict the age of the operator.
- Never mow while people, especially children or pets are nearby. Keep in mind that the operator or user is responsible for accidents or hazards occurring to other people or their property.
- This appliance is not intended for use by people (including children) with reduced physical, sensory or mental capabilities, or lack of experience and knowledge, unless they have been given supervision or instruction concerning use of the appliance by a person responsible for their safety.
- Do not touch the rotating blade.
- While mowing, always wear substantial footwear and long trousers. Do not operate the equipment when barefoot or wearing open sandals;
- Thoroughly inspect the area where the equipment is to be used and remove all objects which can be thrown up by the machine;
- Petrol is highly flammable: store fuel in containers specifically designed for this purpose;

## SAFETY INFORMATION

- refuel outdoors only and do not smoke while refuelling;
- add fuel before starting the engine. Never remove the cap of the fuel tank or add petrol while the engine is running or when the engine is hot;
- If petrol is spilled, do not attempt to start the engine but move the machine away from the area of spillage and avoid creating any source of ignition until petrol vapours have dissipated;
- replace all fuel tank and container caps securely;
- Replace faulty silencers;
- Prior to use, visually inspect to see that the blade, blade bolts and cutter assembly are not worn or damaged. Replace worn or damaged blades and bolts in sets to preserve balance;
- Keep all nuts, bolts and screws tight to be sure the equipment is in a safe working condition;
- Never store the equipment with petrol remaining in the tank inside a building where fumes can reach an open flame or spark;
- Allow the engine to cool before storing in any enclosure;
- To reduce the risk of a fire hazard, keep the engine, silencer, and petrol storage area free of grass, leaves, or excessive grease;
- Check the grass bag frequently for wear or deterioration;
- Replace worn or damaged parts for continued safety;
- If the fuel tank has to be drained, this should be done outdoors.
- Do not operate the engine in a confined space where dangerous carbon monoxide fumes can collect;
- Mow only in daylight or in good artificial light;
- Where possible avoid operating the equipment on wet grass;
- Always be sure of your footing on slopes;
- Walk, never run;
- Mow across the face of slopes, never up and down;
- Exercise extreme caution when changing direction on slopes;
- Do not mow excessively steep slopes;
- Use extreme caution when reversing or pulling the lawnmower towards you;
- Stop the blade if the lawnmower has to be tilted for transportation when crossing surfaces other than grass, and when transporting the lawnmower to and from the area to be mowed;
- Never operate the lawnmower with defective guards, or without safety devices, for example deflectors and/or grass catchers, in place;
- Do not change the engine governor settings or over speed the engine;
- Start the engine carefully according to instructions and with feet well away from the blade;
- Do not tilt the lawnmower when starting the engine;
- Do not start the engine without the grass collector located;
- Do not put hands or feet near or under rotating parts. Keep clear of the discharge opening at all times;
- Never pick up or carry a lawnmower while the engine is running;
- Never use lawnmower when lightning. It will cause serious damage to machine and user.
- Never use lawnmower while you are being tired, ill or under influence of alcohol or other drugs.
- Stop the engine and disconnect the spark plug cable, making sure that all moving parts have come to a complete stop:

## SAFETY INFORMATION

- Before clearing blockages or unclogging the chute;
  - Before checking, cleaning or working on the lawnmower;
  - After striking a foreign object, inspect the lawnmower for damage and make repairs before restarting and operating the lawnmower;
  - If the lawnmower starts to vibrate abnormally, check immediately;
- Stop the engine and disconnect the spark plug wire, make sure that all moving parts have come to a complete stop before refueling;

## ENVIRONMENTAL PROTECTION

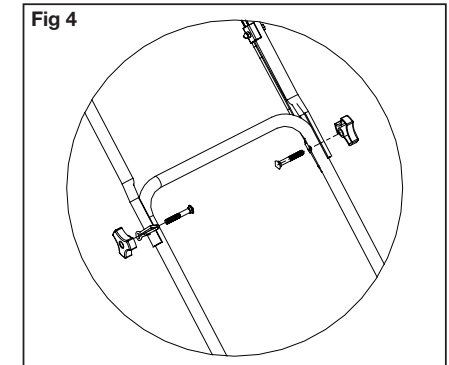
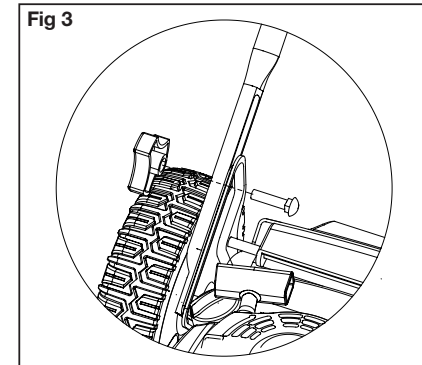


Dispose of soiled maintenance material and operating material at the appropriate collection point. Recycle packaging material, metal and plastics.

## ASSEMBLY

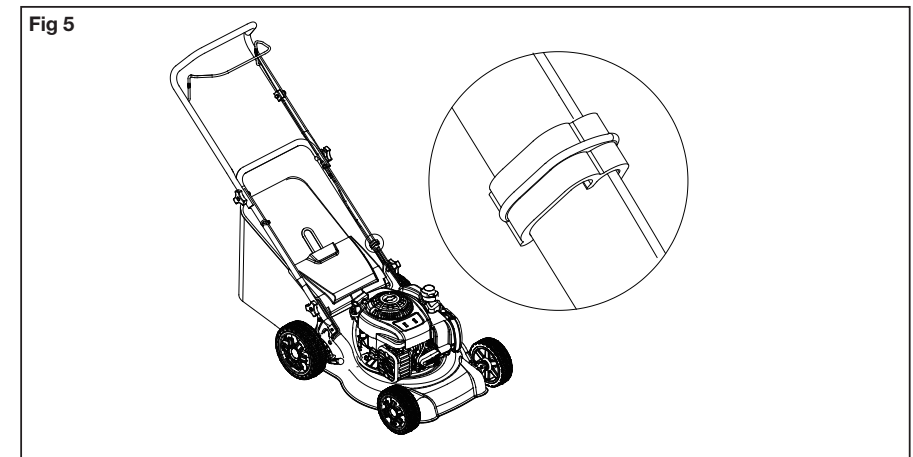
### Install the handle

1. Attach the lower handle onto the unit by using one bolt and one hand tension knob on each side.(see Fig.3)
2. Install the upper handle onto the lower handle by using one bolt and one hand tension knob on each side.(see Fig. 4)



### Fitting the cable clip

Ensure that the cable clips supplied are used to fix the cable to the lower handle.(see Fig.5)



## ASSEMBLY

### Install the grass bag

1. Attach the grass bag to the frame by fixing all plastic hooks.(see Fig.6)
2. Lift the safety flap with one hand and hook in the grass bag. (see Fig.7)
3. Release the ejector flap to secure the grass bag in position.

Fig 6

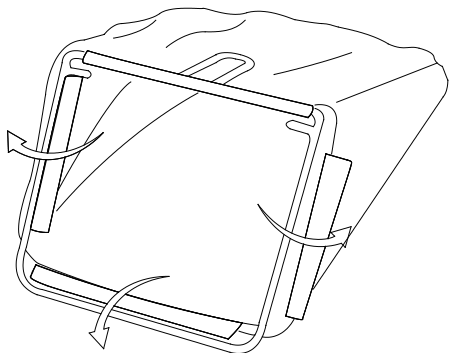
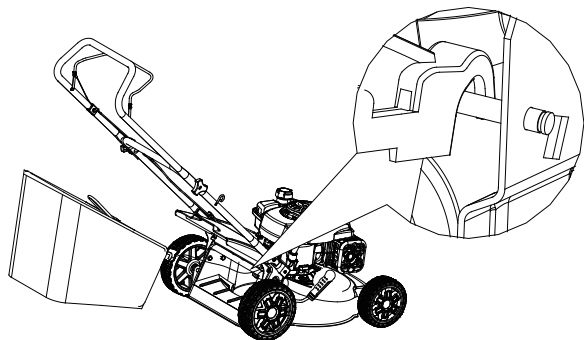


Fig 7



## ADJUSTMENT

### Setting the cutting height



**CAUTION!** The blade can cause serious injury. Before adjusting the mower height, stop the engine and wait for the mower blade to stop completely.

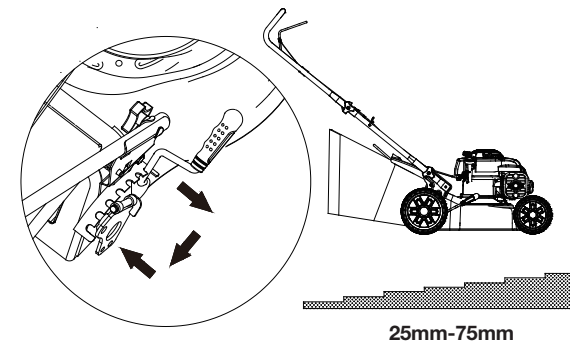
1. Pull the lever towards the wheel, then move it forward or backward to adjust the cutting height.
2. Move it to any one of the 7 positions for the desired cutting height. (see fig 8)
3. Return lever into securing plate.



**NOTE!** Never use the lowest cutting height for the first cut of the season or in drought conditions. Only about one thirds of the grass height should be cut. (see Fig.8)

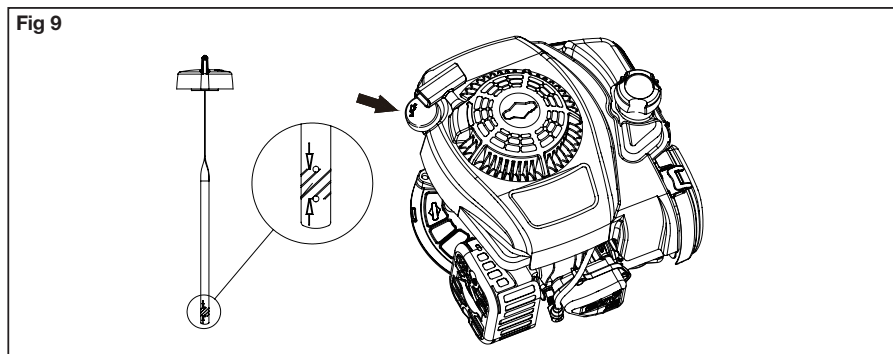
From position 1 to position 7. The cutting height range from 25mm to 75 mm.

Fig 8



## OPERATION

Checking the engine oil level and filling with engine oil.(see Fig.9)



**CAUTION!** The following procedures and adjustments must be performed before the engine is started. Do not attempt to make any of these adjustments while the engine is running.

**CAUTION!** To prevent engine damage the engine is shipped without oil or petrol. The engine must be filled with the correct grade of oil and petrol before starting the engine.

**NOTE!** Running the engine with a low oil level will cause engine damage. It is recommend that high detergent, premium quality 4-stroke engine oil used. Using non-detergent oil can shorten the engine's service life and using 2-stroke oil will damage the engine.

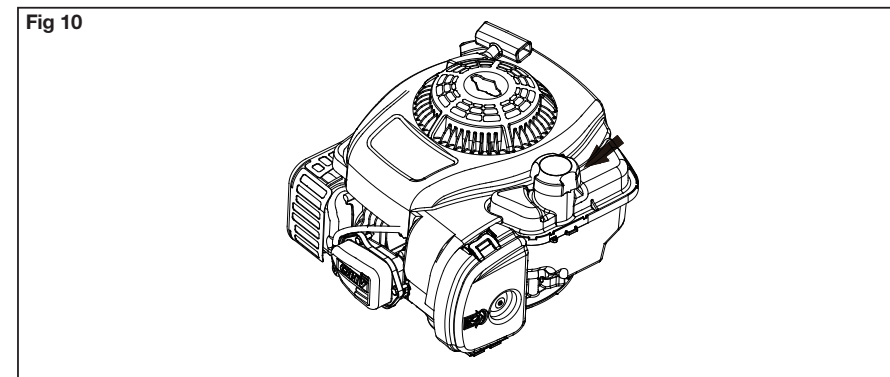
**CAUTION!** Always use high quality detergent oil classified SAE30 oil (or equivalent e.g SAE 10W/30, often termed as 4 Stroke lawnmower oil). Never use additives with recommended oil. To prolong the life of your engine it is important that the oil is changed after the first 5 hours of use.

**NOTE!** To Check the engine oil level ,stop engine and place the mower on a level surface.

1. Remove the oil filler dipstick and wipe oil from it with a clean cloth.
2. Insert the dipstick into the oil filler neck, and tighten the cap.
3. Then remove the dipstick and check the oil level. The oil level must be between the Min and Max marks on the dipstick. If near the lower level ,fill to upper lever with the recommended oil. Do not overfill. Wipe away any spilt oil.
4. Align the ribs of the cap with the groove of the filler neck. Then rotate 1/4 turn to secure it.

## OPERATION

Filling with engine fuel(see Fig.10)



**CAUTION!** Always use clean, fresh unleaded petrol. Purchase fuel in quantities that can be used within 30 days. Never mix oil with petrol.

**CAUTION!** Do not fill into the base of neck to allow for fuel expansion. Do not overfill the fuel tank.

**WARNING!** Petrol is highly flammable and extreme precaution must be taken when handling or working with it. Keep out of reach of children.

**WARNING!** Refuel in a well-ventilated area with the engine stopped. Do not smoke or allow flame or sparks in the area where the engine is refueled or where petrol is stored. Avoid repeated or prolonged contact with skin or inhalation of vapour.

1. Clean the area around the petrol filler cap before removing the cap. Remove the warning tag, check the fuel level.
2. Refill the tank if the fuel level is low.
3. Refuel carefully to avoid overfilling or spilling fuel. There should be no fuel in the filler neck.
4. Clean up any overflow or splashes of petrol before starting the engine.
5. Tighten the filler cap after filling, finger tight on.

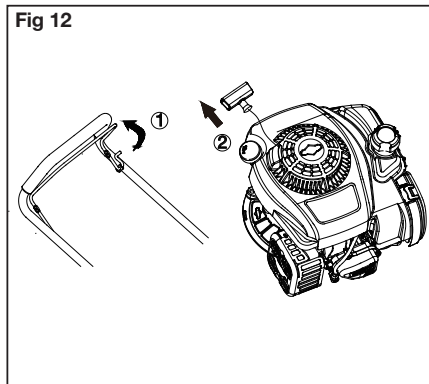
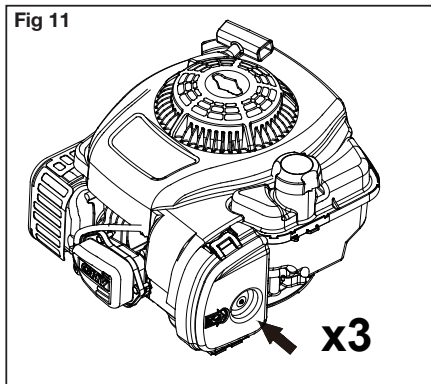
## OPERATION

- STOP!**  
Do not start the engine before putting 500ml of SAE 30 oil into the engine.  
Failure to do so will result in irreparable damage to the engine and invalidate your warranty.

### START/STOP the engine

- WARNING:** The blade begins to rotate as soon as the engine is started.
- NOTE:** Do not operate the machine in enclosed or poorly ventilated areas as the exhaust gas contains toxic substance. Keep hands, feet, hair and clothing away from all the moving parts of the machine. The exhaust and other parts of the machine will become hot during use. Make sure that the blade is securely fastened before starting the engine.
- NOTE:** to start the engine, make sure that the spark plug boot is located on the plug and the machine is filled with sufficient oil and petrol. When starting a cold engine, press down the primer fully 3-5 times.(see Fig.11)
- WARNING!** Too much presses on primer may cause engine flooded when starting a warm engine, the primer does not need to be used. If the engine stops due to a lack of petrol, refill and press down the primer 3-5 times.

- Stand behind the mower. Pull the engine Start/stop lever toward upper handle with one hand. And place the other hand on the starter handle.
- Pull the starter handle out approx. 10-15cm until you feel a resistance and then start the engine with a sharp pull.(see Fig.12)



- NOTE:** If the engine fails to start after three pulls, repeat the process .

## OPERATION

- Once the engine is running, put the starter rope into the rope guide.
- Release the engine start/stop lever, it will return to its initial position, the engine will automatically switches off.

### Starting procedure quick guide

PRIMER BULB 3~5 TIMES	STOP/START-LEVER CLOSED	PULL STARTING HANDLE
step 1 	step2 	step 3 

- Press the primer bulb (A) 3-5 times.
- Start/Stop Bar Activation
- Pull cord handle

### Mowing

- WARNING!** Always observe the strictest safety procedures when using the lawnmower. Carefully read the safety instructions of this manual before using the lawnmower.
- WARNING!** Never open the safety flap when the grass bag has been detached (to be emptied). And the engine is still running. The rotating blade can cause serious injuries!
- Select your required setting.
  - Start the engine and allow it run.
  - Keep a firm grip on the upper handle with engine stop/start lever, and push it to start mowing.

### Good practice advice

- Walk, never run with the mower, be very careful when mowing uneven or rough ground.
- Mow across slopes, never up and down.
- Be careful when changing the direction of the mower on a slope.
- Do not mow excessively steep slopes.
- The best result will be achieved if the grass is dry. Wet grass will tend to clog the blade and the grass collection system.
- Grass grows at different rates at different time of the year. Never use the lowest cutting height for the first cut of the season or in drought conditions.
- Only about one third of the grass height should be cut.

## OPERATION

- Do not remove grass debris in the mower casing or on the blade by hand or with your feet. Instead use suitable tools such as a brush or broom.



**NOTE:** Before taking off the grass bag, switch off the engine and wait until the blade has come to a stop.

- To take off the grass bag, use one hand to lift up ejector flap and the other to grab onto the carry handle. The ejector flap automatically falls down after removing the grass bag and closes off the rear chute opening.
- Empty the grass debris in the grass bag, and refit grass bag.



**NOTE:** If any grass residue is caught in the discharge chute, clean it using a brush. Do not remove grass debris in the mower casing or On the blade by hand or with your feet. Instead use suitable tools such as a brush or broom. To ensure that the cut grass can be collected into grass Bag, the discharge opening and inside the mower casing must be cleared of any blockage.

## STORING AND MAINTENANCE



**WARNING!** Before performing any maintenance or cleaning work, switch off the engine and wait until the blade has come to a stop.

### General cleaning

- The lawnmower should be cleaned thoroughly every time after it has been used.
- Always clean your lawnmower immediately after use.
- Do not** allow grass cuttings and other debris to become dry and hard on any of the mower surfaces.
- Dried grass remnants and dirt may impair the mowing operation.
- Check that the grass chute is free of any residual grass.
- Remove any such residue.
- Check the underside of the lawnmower and the blade mount. For this purpose, tilt the lawnmower onto its left side. (opposite the oil filler neck)

### Maintenance of the spark plug.

- Once the engine has cooled, pull off the spark plug boot with a twist.
- Remove the spark plug using a spark plug wrench.
- Clean the spark plug with a wire brush.
- Using a feeler gauge set the gap to 0.7-0.8mm.
- Install the spark plug carefully by hand, to avoid cross-threading.
- After the spark plug is seated, tighten with the spanner to compress the washer.

### Maintenance of the air filter

Soiled air filters reduce the engine output by supply too little air to the carburetor, if the air contains a lot of dust, the air filter should be checked more frequently.



**WARNING!** Never run the engine without the air filter element installed.

- Using the screwdriver(not provided) to loosen the screw, and remove the cover.
- Remove the filter cartridge.
- To loosen debris, gently tap the filter cartridge on a hard surface. The filter cartridge is excessively dirty, replace with a new one.



**NOTE:** Never clean the air filter cartridge with petrol or inflammable solvents. Clean the airfilter cartridge only with compressed air or by tapping it.

- Install the filter cartridge.
- Close the cover and secure it with the screw.

### Changing the engine oil

- Tilt the lawnmower towards the oil filler, have a container ready to catch the oil and remove the dipstick. Once the oil has been emptied, replace the dipstick and wipe clean any spillages. Refill with 500ml SAE30 oil or equivalent ie SAE5W/30, SAE10W/30. When

## STORING AND MAINTENANCE

the dipstick is rested on the filler pipe, the oil level must be between the min and max marks on the dipstick.

2. Start the engine and allow it to run briefly.
3. Stop the engine, wait one minute and check the oil level. Top up if necessary.



**NOTE!** See more in engine manual.

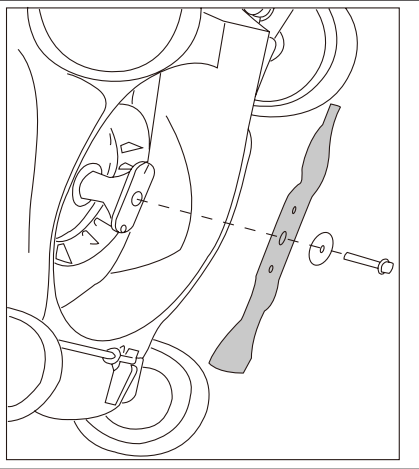
### Replacing the blade



#### **WARNING!**

- Before you remove the grass collection bag, stop the engine and wait until the blade stops completely.
- You will need garden gloves (not provided) and a spanner wrench to remove the blade.
- Always handle the blade with care- sharp edges could cause injury **USE GLOVES.**
- Don't hold the blade by hand directly.

Fig 13



### Renew your metal blade after 50Hrs mowing or 2yrs which ever is sooner regardless of condition.

Regularly check your blade. If the cut of your grass is poor, the blade might be blunt. Damaged blades not only result in a bad cut, they cause excessive vibration and uneconomical running of the engine. If the blade has worn excessively and become pitted and blunt, it should be replaced or sharpened.

1. Tip the machine slightly towards the oil filler pipe and reach under the deck.
2. Hold the blade and unscrew the blade bolt counterclockwise using a spanner wrench. Remove the washer and the blade.

## STORING AND MAINTENANCE

3. Inspect the blade adaptor on any signs of damage.
4. Fit a new blade, locate the blade on the two studs on the blade flange and then replace the washer and bolts.
5. Check the washer is still slightly domed to keep the pressure on the bolt to stop it unwinding, keeping the blade firmly secure. Then replace the washer (right way around!) and bolts.
6. Make sure the blade is correctly located, and then firmly tighten the bolt. Do not over tighten. The up turn of the blade must project into the motor compartment.



**NOTE!** The blade carrier is designed to break under heavy blade impact to protect the machine. If this happens also replace the blade carrier. This can be purchased from [www.yardforce.co.uk](http://www.yardforce.co.uk)

If you are unsure about performing this operation call our helpline or go to an authorised dealer to change the blade for you.

Spare blades can be purchased via [www.yardforce.co.uk](http://www.yardforce.co.uk)

### Storing the Lawnmower for Short Periods

The lawnmower can be stored for short periods of time (less than 15 days) without performing any storage maintenance. Before placing the lawnmower into storage always carry out the following:

1. Allow the engine to fully cool.
2. Ensure the grass bag is empty.
3. Clean all debris from under the mower deck.
4. Store the lawnmower on flat and level surface with the mower upright.
5. Store in a safe place which is not accessible by children or people who are not familiar with operation.

### Storing the Lawnmower for Extended Periods

If the lawnmower is to be placed into storage for more than 15 days, storage maintenance must be performed on the lawnmower. If the following steps are not carried out, when you next operate the lawnmower it may not start correctly and may need to be serviced.



**CAUTION:** Do not empty the petrol tank in enclosed areas, near fire or when smoking. Petrol fumes can cause explosions and fire.

1. Empty the petrol tank with a petrol suction pump if available.
2. Start the engine and let it run until any remaining petrol has been used up.
3. Change the oil at the end of every season. To do so, remove the used engine oil from a warm engine and refill with fresh oil.
4. Clean the cooling fins of the cylinder and the housing.
5. Be sure to clean the entire machine to protect the paint.
6. Store the machine in a well-ventilated place.

## STORING AND MAINTENANCE

### Maintenance Schedule

Performing routine maintenance correctly on your lawnmower will ensure you get years of trouble free use.

Please keep this manual safe for future reference.

It is recommended that the following maintenance schedule is adhered to. This will ensure the lawnmower operated correctly and is safe to use.

	12 hours of use	24 hours of use	36 hours of use
Air filter	clean	clean	replace
Spark plug	check	clean	replace
Engine oil	check	replace	check

The Engine oil should be changed after the first 8 hours.

### Transport

1. Empty the petrol tank.
2. Always let the engine run until it has used up the remainder of petrol in the tank.
3. Empty the engine oil from the warm engine.
4. Remove the spark plug boot from the spark plug.
5. Clean the cooling fins of the cylinder and the housing.
6. Use the original packaging to ship whenever possible.

### Warranty

If your device develops a fault, please don't hesitate to contact our customer service department on 01904 727513, the majority of problems can be solved directly on the phone.

1. These warranty terms cover additional warranty rights and do not affect your statutory warranty rights. All our products are covered by a 2 year manufacturer warranty unless this product was registered within 28 days of purchase via [www.yardforce.co.uk](http://www.yardforce.co.uk) and therefore obtained an additional 12 month warranty.
2. Claims must be accompanied by proof of purchase. This must be in the form of a Sales receipt or bank statement and must show that the product has been purchased within the warranty period as described under point 1, from the retailer that it was originally bought from. Please keep your receipt safe or staple it to the back of this manual for future reference.
3. Our warranty covers problems caused by material or manufacturing defects, and will result in the repair of these defects or replacement of the device with a like for like or similar article.
4. Our devices have not been designed for commercial, trade or industrial applications, any signs of use of the equipment in these application or equivalent activities, invalidates the warranty.
5. The following are also excluded from our warranty:
  - A. Faults due to accidents, customer misuse or unauthorized repairs
  - B. Consumable Parts such as blades, quick release locks, extension cables, wheels, grass bags and other accessories that are compatible with the product.

## STORING AND MAINTENANCE

- C. Failure due to lack of routine maintenance.
- D. Failure as a result of not using the equipment in accordance with the manual and safety instructions.
- E. The adjustment of cables, drives belts or recoil starters.

Warranty claims should be submitted before the end of the warranty period, see point 1, but a paid service exists for repairs commissioned after this period. The original warranty period remains applicable to the device even if repairs are carried out or parts are replaced. In such cases, the work performed or parts fitted will not result in an extension of the warranty period, and no new warranty will become active for the work performed or parts fitted.

If you have any problems or questions concerning your garden power tool, please contact our after sales service at 01904 727513 or visit [www.yardforce.co.uk](http://www.yardforce.co.uk).

