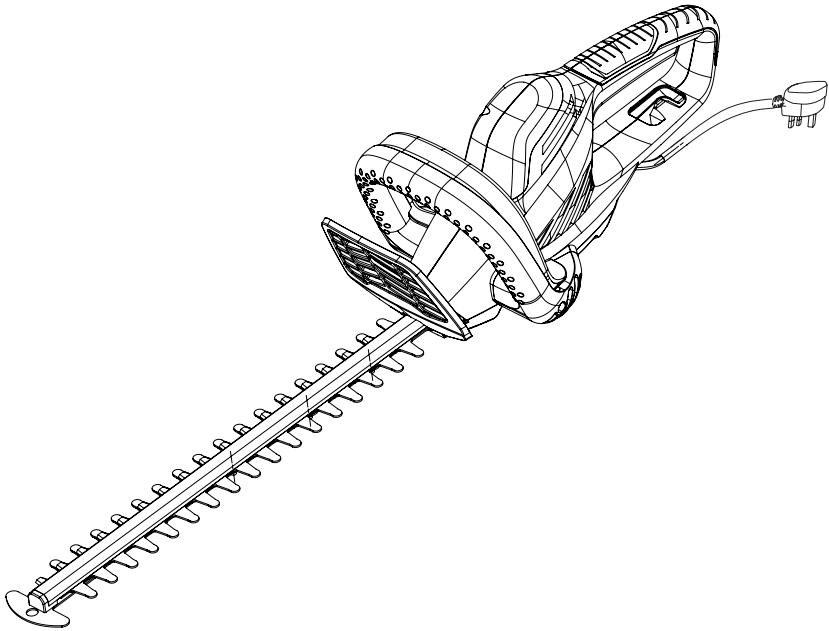


GB

450W ELECTRIC HEDGE TRIMMER

Original Instructions



**READ & UNDERSTAND
INSTRUCTION MANUAL**

Save all warnings and instructions for future reference.

YARD FORCE

EH U35 Original Instructions

CONTENT

Intended use	04
General safety warnings	04
Product safety warnings	09
Symbols	12
Technical data	15
Description of product	16
Operation	17
Maintenance and storage	19
Troubleshooting	20
Declaration of conformity	21
Disposal	23

INTENDED USE

This hedge trimmer is designed for domestic use only:

- To cut and trim hedges, bushes and ornamental shrubs. Any other use that is not explicitly approved in these instructions may result in damage to the equipment and represent a serious danger to the user.

- To use with accessories and replacement parts approved by Yard force.

Any use of the machine that deviates from its intended use and is not included in these instructions will be deemed as a case of misuse and the warranty will be invalidated.

GENERAL SAFETY WARNINGS



WARNING!

Read all safety warnings and all instructions. Failure to follow the warnings and instructions may result in electric shock, fire and/or serious injury.

Save all warnings and instructions for future reference.

The term “power tool” in the warnings refers to your mains-operated (corded) power tool or battery-operated (cordless) power tool.

Work area safety

1. Keep work area clean and well lit. Cluttered or dark areas invite accidents.
2. Do not operate power tools in explosive atmospheres, such as in the presence of flammable liquids, gases or dust. Power tools create sparks which may ignite the dust or fumes.
3. Keep children and bystanders away while operating a power tool. Distractions can cause you to lose control.

GENERAL SAFETY WARNINGS

Electrical safety

1. Power tool plugs must match the outlet. Never modify the plug in any way. Do not use any adapter plugs with earthed (grounded) power tools. Unmodified plugs and matching outlets will reduce risk of electric shock.
2. Avoid body contact with earthed or grounded surfaces, such as pipes, radiators, ranges and refrigerators. There is an increased risk of electric shock if your body is earthed or grounded.
3. Do not expose power tools to rain or wet conditions. Water entering a power tool will increase the risk of electric shock.
4. Do not abuse the cord. Never use the cord for carrying, pulling or unplugging the power tool. Keep cord away from heat, oil, sharp edges or moving parts. Damaged or entangled cords increase the risk of electric shock.
5. When operating a power tool outdoors, use an extension cord suitable for outdoor use. Use of a cord suitable for outdoor use reduces the risk of electric shock.
6. If operating a power tool in a damp location is unavoidable, use a residual current device (RCD) protected supply. Use of an RCD reduces the risk of electric shock.

NOTE: The term “residual current device(RCD)” may be replaced by the term “ground fault circuit interrupter (GFCI)” or “earth leakage circuit breaker(ELCB)”

GENERAL SAFETY WARNINGS

Personal safety

1. Stay alert, watch what you are doing and use common sense when operating a power tool. Do not use a power tool while you are tired or under the influence of drugs, alcohol or medication. A moment of inattention while operating power tools may result in serious personal injury.
2. Use personal protective equipment. Always wear eye protection. Protective equipment such as dust mask, non-skid safety shoes, hard hat, or hearing protection used for appropriate conditions will reduce personal injuries.
3. Prevent unintentional starting. Ensure the switch is in the off-position before connecting to power source and/or battery pack, picking up or carrying the tool. Carrying power tools with your finger on the switch or energising power tools that have the switch on invites accidents.
4. Remove any adjusting key or wrench before turning the power tool on. A wrench or a key left attached to a rotating part of the power tool may result in personal injury.
5. Do not overreach. Keep proper footing and balance at all times. This enables better control of the power tool in unexpected situations
6. Dress properly. Do not wear loose clothing or jewellery. Keep your hair, clothing and gloves away from moving parts. Loose clothes, jewellery or long hair can be caught in moving parts.

GENERAL SAFETY WARNINGS

7. If devices are provided for the connection of dust extraction and collection facilities, ensure these are connected and properly used. Use of dust collection can reduce dust-related hazards.

Power tool use and care

1. Do not force the power tool. Use the correct power tool for your application. The correct power tool will do the job better and safer at the rate for which it was designed.
2. Do not use the power tool if the switch does not turn it on and off. Any power tool that cannot be controlled with the switch is dangerous and must be repaired.
3. Disconnect the plug from the power source and/or the battery pack from the power tool before making any adjustments, changing accessories, or storing power tools. Such preventive safety measures reduce the risk of starting the power tool accidentally.
4. Store idle power tools out of the reach of children and do not allow persons unfamiliar with the power tool or these instructions to operate the power tool. Power tools are dangerous in the hands of untrained users.
5. Maintain power tools. Check for misalignment or binding of moving parts, breakage of parts and any other condition that may affect the power tool's operation. If damaged, have the power tool repaired before use. Many accidents are caused by poorly maintained power tools.

GENERAL SAFETY WARNINGS

6. Keep cutting tools sharp and clean. Properly maintained cutting tools with sharp cutting edges are less likely to bind and are easier to control.
7. Use the power tool, accessories and tool bits etc. in accordance with these instructions, taking into account the working conditions and the work to be performed. Use of the power tool for operations different from those intended could result in a hazardous situation.

Service

Have your power tool serviced by a qualified repair person using only identical replacement parts. This will ensure that the safety of the power tool is maintained.

SPECIAL SAFETY INSTRUCTIONS FOR CORDLESS HEDGE TRIMMER

1. Keep all parts of the body away from the cutter blade. Do not remove cut material or hold material to be cut when blades are moving. Make sure the switch is off when clearing jammed material. A moment of inattention while operating the hedge trimmer may result in serious personal injury.
2. Carry the hedge trimmer by the handle with the cutter blade stopped. When transporting or storing the hedge trimmer always fit the cutting device cover. Proper handling of the hedge trimmer will reduce possible personal injury from the cutter blades.
3. Hold the power tool by insulated gripping surfaces only, because the cutter blade may contact hidden wiring. Cutter blades contacting a “live” wire may make exposed metal parts of the power tool “live” and could give the operator an electric shock.
4. Keep cable away from cutting area. During operation the cable may be hidden in shrubs and can be accidentally cut by the blade.
5. Check the hedge for foreign objects before operating, e.g. wire fences.
6. Only use the hedge trimmer with the guard properly assembled. The use of the hedge trimmer without the proper guard may result in serious personal injury!
7. Use both hands when operating the hedge trimmer. Using one hand could cause loss of control and result in serious personal injury.

PRODUCT SAFETY WARNINGS

8. Do not grasp the exposed cutting blades or cutting edges when picking up or holding the hedge trimmer.
9. Do not use on a ladder, rooftop, tree, or other unstable support. Stable footing on a solid surface enables better control of the hedge trimmer in unexpected situations.
10. Never allow children to operate the hedge trimmer.
11. Never remove or tamper with safety devices. Check their proper operation regularly. Never do anything to interfere with the intended function of a safety device or to reduce the protection provided by a safety device.
12. Never operate the hedge trimmer without proper guards, plates, or other safety protective devices in place.
13. Check damaged parts before further use of the hedge trimmer. A guard or other part that is damaged should be carefully checked to determine that it will operate properly and perform its intended function. Check for alignment of moving parts, binding of moving parts, breakage of parts, mounting, and any other condition that may affect its operation. A guard or other part that is damaged should be properly repaired or replaced by an authorized service center unless indicated elsewhere in this manual.
14. If the equipment should start to vibrate abnormally, stop the motor and check immediately for the cause. Vibration is generally a warning of trouble.
15. The trimmer shall be used to cut stems less than (16 mm) thick.

PRODUCT SAFETY WARNINGS

16. Trim only in daylight or in good artificial light.
17. Remove or disconnect battery before servicing, cleaning, or removing material from the hedge trimmer.
18. Do not wash with a hose; avoid getting water in motor and electrical connections.
19. When servicing use only identical replacement parts listed in this manual. Use of parts which do not meet the original equipment specifications may lead to improper performance and compromised safety.
20. Follow instructions for lubricating and changing accessories.
21. Keep handles dry, clean and free from oil and grease.
22. Save these instructions. Refer to them frequently and use them to instruct others who may use this tool. If you loan this tool to someone else, also loan these instructions to them to prevent misuse of the product and possible injury.

Safety symbols

The purpose of safety symbols is to attract your attention to possible dangers. The safety symbols and the explanations with them require your careful attention and full understanding. The symbol warnings do not, by themselves, eliminate any danger. The instructions and warnings they give are no substitutes for proper accident prevention measures.

WARNING: Be sure to read and understand all safety instructions in this operator's manual, including all safety alert symbols such as "**DANGER**," "**WARNING**," and "**CAUTION**" before using this tool. Failure to follow all instructions listed below may result in electric shock, fire and/or serious personal injury.

SAFETY ALERT SYMBOL: Indicates **DANGER**, **WARNING**, or **CAUTION**. May be used in conjunction with other symbols or pictographs.

Symbol meaning

This page depicts and describes safety symbols that may appear on this product. Read, understand and follow all instructions on the machine before attempting to assemble and operate.

SYMBOLS



Please read all of the safety and operating instructions carefully before using this machine. Read the instruction manual before operating.



WARNING! Failure to follow the warnings and instructions may result in electric shock, fire and/or serious injury.



Do not use this tool in the rain. Avoid using it in damp conditions.



Wear ear protection.



Wear eye protection.



Wear a dust mask.



The product complies with the applicable European directives, and an evaluation method of conformity for these directives was done.



Sound level data (99 dB), in accordance with Directive 2000/14/EC.



Keep bystanders away. Objects thrown by the product could hit the user or other bystanders. Always ensure that other people and pets remain at a safe distance from the product when it is in operation.

SYMBOLS



Danger-Keep hands away from blades. Contact with blade will result in serious personal injury.



Disconnect the mains plug immediately if the cable is damaged, has been badly twisted or is completely cut through and in the event that the device is left unattended for a short time.



Double insulation, Class II appliance.



Waste Disposal and Environmental Protection!



Be environmentally friendly. Return the tool, accessories and packaging to a recycling centre when you have finished with them. Electrical machines do not belong in domestic waste.

Take the equipment to a waste disposal site. The plastic and metal parts that are used can be separated out into pure grade, which allows recycling.



Conforms to relevant UK regulatory requirements.

TECHNICAL DATA

Model		EH U35
Input voltage rating		230-240 ~, 50 Hz
Input power		450 W
Max. cutting length		396 mm
Max. cutting capacity		16 mm
Measured sound pressure level(L_{pA})		80.2 dB(A) K=3.0 dB(A)
Measured sound power level(L_{wA})		92.7 dB(A) K=2.0 dB(A)
Guaranteed sound power level(L_{wA})		99 dB(A)
Vibrations		4.08 m/s^2 K=1.5 m/s^2
Net weight		2.70 kg
Safety class		class II
Power cord and Fuse for BS plug		H05VV-F 2x0.75mm ² , 13A

The sound values have been determined according to noise test code given in EN 62841-4-2, using the basic standards EN ISO 11094 and EN ISO 3744. The noise figures quoted are emission levels and are not necessarily safe working levels.

Factors that influence the actual level of exposure of work-force include the characteristics of the work room, the other sources of noise, etc. i.e. the number of machines and other adjacent processes, and the length of time for which an operator is exposed to the noise. Also the permissible exposure level can vary from country. This information, however, will enable the user of the machine to make a better evaluation of the hazard and risk.

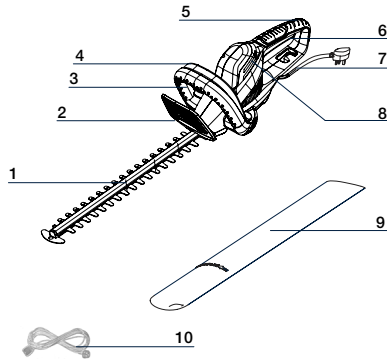
Wear hearing protection! The sound intensity level for the operator may exceed 80 dB (A) and ear protection measures are necessary!

The declared vibration value has been measured in accordance with a standard test method (according to EN 62841-1) and may be used for comparing one product with another. The declared vibration value may also be used in a preliminary assessment of exposure. This tool may cause hand-arm vibration syndrome if its use is not adequately managed.

DESCRIPTION OF PRODUCT

Parts description

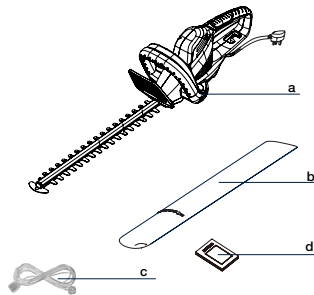
1. Cutting blades
2. Front guard
3. Front handle
4. Safety switch
5. Rear handle
6. ON/OFF switch
7. Power cord with plug
8. Air vents
9. Blade sheath
10. 10m extension cable



Delivery contents

Carefully unpack the appliance and check that it is complete. Dispose of the packaging material correctly.

- a. Hedge trimmer
- b. Blade shield
- c. 10m extension cable
- d. Instruction manual



WARNING: If any parts are damaged or missing, do not operate this tool until these parts are replaced. Failure to heed this warning could result in serious personal injury.



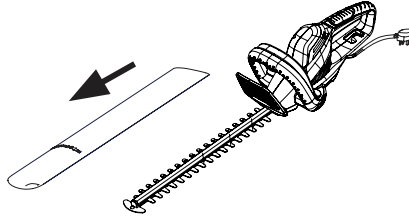
NOTE: Always recycle the packaging in accordance with local recycling guidelines.

OPERATION

Remove the blade sheath

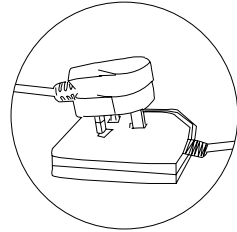
1. Remove the blade sheath from the cutting blades before operation.
2. After use align the blade sheath to the cutting blades and push it onto it to attach. Ensure the sheath engages properly, check by pulling. It may not be possible to simply pull off the sheath.

NOTE: Always attach the blade sheath when the product is not in use, for storage and transportation.

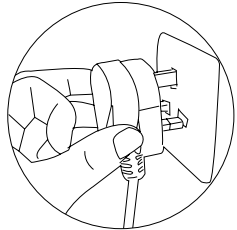


Connecting to the power supply

1. Connect the power plug to the extension cable.
2. Double the cord, about a foot from the end. Lead the loop through the hole on the rear safe guard and hook the loop over the cord strain relief. Gently pull on the cord to ensure that it is firmly attached.



3. Connect the plug of the cable to the mains socket.



WARNING: Ensure the power plug is securely connected to the extension cable.

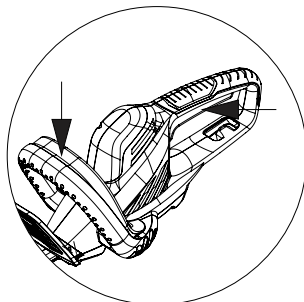


WARNING: Keep plug connections away from the rain and fire.

OPERATION

Switching ON/OFF

1. Hold the product with one hand on the rear handle and with the other on the front handle .
2. Press the on/off switch and the safety switch at the same time to switch the product ON.
3. Release either the on/off switch or the safety switch to switch the product OFF.



General operation

1. Check the product, its power cord and plug as well as accessories for damage before each use. Do not use the product if it is damaged or shows wear.
2. Double check that accessories and cutting device are properly fixed in place.
3. Always hold the product by its handles. Keep the handles dry to ensure safe support.
4. Ensure that the air vents are always unobstructed and clear. Clean them if necessary with a soft brush. Blocked air vents may lead to overheating and damage the product.
5. Switch the product OFF immediately if you are disturbed while working by other people entering the working area. Always let the product come to complete stop before putting it down.
6. Do not overwork yourself. Take regular breaks to ensure you can concentrate on the work and have full control over the product.

WARNING: Wear suitable clothing, ear and eye protection when working with the equipment. Ensure that the mains voltage value matches the label on the equipment.

Trimming

1. Cut and remove branches exceeding the cutting capacity of this product using a proper pruner before operation.
2. Move the cutting device lightly through the surface to be cut in a sweeping motion following the shape of the hedge or shrub.
3. A slight tilt downwards of the cutting device in the direction of motion is recommended for optimum cutting performance.
4. Do not to rush and do not attempt to cut too much with one stroke of the cutting device.
5. First cut both sides from the bottom cutting upwards to the top. This will prevent any of the trimmings falling into the path of the area still to be cut.
6. After cutting the sides proceed to the top. Try to keep the cutting device angled at approximately 15° to the cutting surface.
7. Cut in a number of stages if the area being cut is particularly long to achieve a better result; smaller trimmings will allow for easy composting.

NOTE: When shaping it is advisable to achieve a trapezoidal shape. A trapezoidal cut corresponds to the natural growth of plants and results in optimal hedge growth, as it will expose more light to the lower end of the hedge.

MAINTENANCE AND STORAGE

WARNING: When servicing, use only identical replacement parts. Use of any other parts may create a hazard or cause product damage. To ensure safety and reliability, all repairs should be performed by a qualified service technician.

WARNING: To avoid serious personal injury, should remove the plug from the mains power before cleaning or performing any maintenance.

Cleaning

1. Use a soft brush to remove debris from all air intakes and cutting blade.
2. To remove pitch and other sticky residue, spray the blades with resin solvent. Run the motor briefly so that the solvent is evenly distributed.
3. Wipe the surface with a dry cloth.

Maintenance

1. Keep all nuts, bolts and screws tight to be sure that the machine is in safe working condition.
2. Examine the machine and replace worn or damaged parts for safety
3. Check that the guards are undamaged and correctly fitted. Carry out necessary maintenance or repairs before using.
4. Do not use the unit if the blades are blunt or worn. This will overstress the motor and gearbox of the machine.

Lubricating the blade

For best operation and longer blade life, lubricate the hedge trimmer blade with light weight machine oil before and after each use. Remove the plug from the mains power and lay the trimmer onto a flat surface. Apply the oil along the edge of the top blade

Transporting and storing

1. Always place the blade guard on the blade before storing or transporting the hedge trimmer. Use caution to avoid the sharp teeth of the blade.
2. Clean the hedge trimmer thoroughly before storing.
3. Store the hedge trimmer indoors, in a dry place that is inaccessible to children.
4. Keep away from corrosive agents such as garden chemicals and deicing salts.

TROUBLESHOOTING

Fault	Possible cause	Solution
Product does not start.	Not connected to power supply.	Connect to a proper power supply.
	Power cord or plug is defective.	Call after sales support.
	Other electrical defect to the product.	Call after sales support.
Product does not reach full power.	Extension cord is not suitable for this product.	Use a proper extension cord.
	Power source (e.g. generator) has too low a voltage.	Connect to another proper power supply.
	Air vents are blocked.	Clean the air vents.
Unsatisfactory result.	The branches are too thick.	Only cut branches within the limits.
Excessive vibration/ noise or exhaust.	Loose screws.	Call after sales support.

DECLARATION OF CONFORMITY

To the provisions of Council Directives

We
MEROTEC GmbH,
Otto-Brenner-Straße 8,
47877 Willich/ Deutschland

Declare that the product:
Description: 450W Electric hedge trimmer
Model No. EH U35/ HTEG48A-450
Function: Trimming of hedges bushes


Complies with the essential health and safety requirements of the following directives:

Machinery Directive 2006/42/EC
Electromagnetic Compatibility Directive 2014/30/EU
EC Directive 2011/65/EU and its amendment Directive (EU) 2015/863 (RoHS)
Measured Sound Power Level: 92.7 dB (A) K=2 dB(A)
Declared Guaranteed Sound Power Level: 99 dB (A)

Standards and technical specification referred to:

EN 62841-1:2015+AC:2015
EN 62841-4-2:2019
EN IEC 55014-1:2021
EN IEC 55014-2:2021
EN IEC 61000-3-2:2019+A1:2021
EN 61000-3-3:2013+A1:2019+A2:2021

Authorized Signatory
Date: 28.02.2024

Signature: 
Place: Willich
Name: Roland Menken
General Manager

MEROTEC GmbH,
Otto-Brenner-Straße 8,
47877 Willich/ Deutschland



DECLARATION OF CONFORMITY

To the provisions of Council Directives

We
SUMEC UK
Unit A&B Escrick Business Park Escrick, York YO19 6 FD
United Kingdom

Declare that the product:
Machine Description: Electric lawnmower
EH U35/ HTEG48A-450
Function: Cutting grass

Complies with the essential health and safety requirements of the following directives:

Supply of Machinery (Safety) Regulations 2008

Electromagnetic Compatibility Regulations 2016

The Restriction of the Use of Certain Hazardous Substances in Electrical and Electronic Equipment Regulations 2012

Measured Sound Measured Sound Power Level: 92.7 dB(A), K=2 dB(A)

Declared Guaranteed Sound Power Level: 99 dB (A)

Standards and technical specification referred to :

EN 62841-1:2015+AC:2015

EN 62841-4-2:2019

EN IEC 55014-1:2021

EN IEC 55014-2:2021

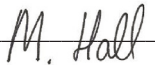
EN IEC 61000-3-2:2019+A1:2021

EN 61000-3-3:2013+A1:2019+A2:2021

Authorized Signatory

Date: 28.02.2024

Signature: _____



Place: York

Name: Mariana Hall

General Manager

SUMEC UK

Unit A&B Escrick Business Park Escrick York YO19 6 FD

United Kingdom



DISPOSAL

Disposing of packaging

Dispose of packaging according to type. Sort the paperboard and cardboard as waste paper and the film as recyclable material.

Disposing of the washer

Applicable in the European Union and other European countries with systems for separate collections of recyclable waste.



This symbol indicates that this product may not be disposed of together with domestic waste in compliance with the (2012/19/EU) Regulation pertaining to waste electrical and electronic devices (WEEE). This product must be handed in at a collection point intended for the purpose. This can occur, for example, by handing it in at an authorised collecting point for the recycling of waste electrical and electronic equipment. Owing to potentially hazardous substances that are frequently contained in waste electronic equipment, incorrect handling of waste equipment may have a negative impact on the environment and on the health of human beings. By disposing of this product correctly, you are also contributing towards an efficient use of natural resources. Information on collecting points for waste equipment can be obtained from your local authority, an authorised institution for the disposal of waste electrical and electronic equipment or the waste collection services.