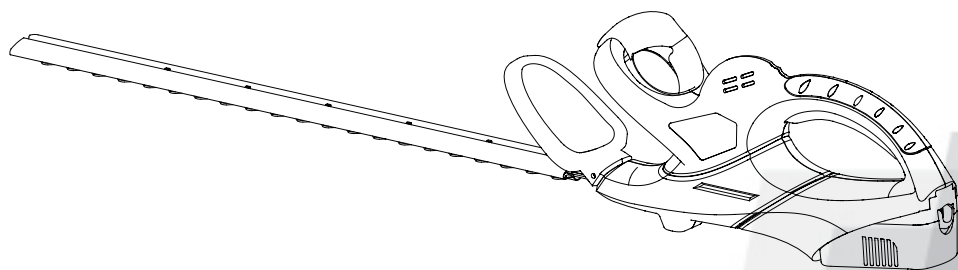


PowerG[®]

18V CORDLESS HEDGE TRIMMER MOE-3ET-460



CE



Warning: Read this instruction manual carefully before using the product.

CAUTION

IMPORTANT! These instructions contain important information that will help you get the best from your electric trimmer, ensuring it is assembled correctly and safely. The battery pack and charger is not supplied, please purchase it separately

PowerG[®]

18V CORDLESS HEDGE TRIMMER

General Safety Instructions	1
Intended Use	6
Assembly and Parts List	6
Charge the battery	7
Operation	9
Technical Data	10
Maintenance and Storage	10
Disposal	11
Guarantee	12
CE-Description	13

General Safety Instructions

Know your tool

- **Warning!** Carefully observe the instructions in this manual to reduce the risk of personal injury or material damage.
- Read all of this manual carefully before operating the tool.
- Before operating the tool, make sure that you know how to switch the tool off in an emergency.
- Retain this manual for future reference.

General Safety Rules

WARNING! Read all instructions, failure to follow all instructions listed below may result in electric shock, fire and/or serious injury. The term “power tool” in all of the warnings listed below refers to your battery operated (cordless) power tool.

SAVE THESE INSTRUCTIONS

1) Work area

- a) Keep work area clean and well lit. Cluttered and dark areas invite injuries.
- b) Do not operate power tools in explosive atmospheres, such as in the presence of flammable liquids, gases or dust. Power tools create sparks which may ignite the dust or fumes.
- c) Keep children and bystanders away while operating a power tool. Distractions can cause you to lose control.

2) Electrical safety

- a) Avoid body contact with earthed or grounded surfaces such as pipes, radiators, ranges and refrigerators. There is an increased risk of electric shock if your body is earthed or grounded.
- b) Do not expose power tools to rain or wet conditions. Water entering a power tool will increase the risk of electric shock.

3) Personal safety

- a) Stay alert, watch what you are doing and use common sense when operating a power tool. Do not use a power tool while your tired or under the influence of drugs, alcohol or medication. A moment of inattention while operating power tools may result in serious personal injury.
- b) Use safety equipment. Always wear eye protection. Safety equipment such as dust mask, non-skid safety shoes, hard hat, or hearing protection used for appropriate conditions will reduce personal injuries.
- c) Avoid accidental starting. Ensure the switch is in the off position before plugging in. Carrying power tools with your finger on the switch or plugging in power tools that have the switch on invites accidents.
- d) Remove any adjusting key or wrench before turning the power tool on. A wrench or a key left attached to a rotating part of the power tool may result in personal injury.
- e) Do not overreach. Keep proper footing and balance at all times. This enables better control

of the power tool in unexpected situations.

f) Dress properly. Do not wear loose clothing or jewellery. Keep your hair, clothing and gloves away from moving parts. Loose clothes, jewellery or long hair can be caught in moving parts.

g) If devices are provided for the connection of dust extraction and collection facilities, ensure these are connected and properly used. Use of these devices can reduce dust related hazards.

4) Power tools use and care

a) Do not force the power tool. Use the correct power tool for your application. The correct power tool will do the job better and safer at the rate for which it was designed.

b) Do not use the power tool if the switch does not turn it on and off. Any power tool that cannot be controlled with the switch is dangerous and must be repaired.

c) Disconnect the plug from the power source before making any adjustments, changing accessories, or storing power tools. Such preventive safety measures reduce the risk of starting the power tool accidentally.

d) Store idle power tools out of the reach of children and do not allow persons unfamiliar with the power tool or these instructions to operate the power tool. Power tools are dangerous in the hands of untrained users.

e) Maintain power tools. Check for misalignment or binding of moving parts, breakage of parts and any other condition that may affect the power tools operation. If damaged, have the power tool repaired before use. Many accidents are caused by poorly maintained power tools.

f) Keep cutting tools sharp and clean. Properly maintained cutting tools with sharp cutting edges are less likely to bind and are easier to control.

g) Use the power tool, accessories and tool bits etc., in accordance with these instructions and in the manner intended for the particular type of power tool, taking into account the working conditions and the work to be performed. Use of the power tool for operations different from intended could result in a hazardous situation.

5) Battery tool use and care

a) Ensure the switch is in the off position before inserting battery pack. Inserting the battery pack into power tools that have the switch on invites accidents.

b) Recharge only with the charger specified by the manufacturer. A charger that is suitable for one type of battery pack may create a risk of fire when used with another battery pack.

c) Use power tools only with specifically designated battery packs. Use of any other battery packs may create a risk of injury and fire.

d) When battery pack is not in use, keep it away from other metal objects like paper clips, coins, keys, nails, screws, or other small metal objects that can make a connection from one terminal to another. Shorting the battery terminals together may cause burns or a fire.

e) Under abusive conditions, liquid may be ejected from the battery; avoid contact. If contact accidentally occurs, flush with water. If liquid contacts eyes,

additionally seek medical help. Liquid ejected from the battery may cause irritation or burns.

6) Service

a) Have your power tool serviced by a qualified repair person using only identical replacement parts. This will ensure that the safety of the power tool is maintained.

Additional safety instructions for batteries and chargers

Batteries

- Never attempt to open for any reason
 - Do not expose to water
 - Do not incinerate the battery pack even if it is severely damaged or is completely worn out. The battery pack can explode in a fire.
 - Do not store in locations where the temperature may exceed 40°C
 - Do not leave the battery pack in the charger when the charging is finished, otherwise battery leakage may occur.
 - Charge only at room temperature.
 - Charge only at using the charger provided with the tool (see technical data)
 - Before charging, make sure that the battery is dry and clean.
 - Use only the correct type of battery for the tool(see technical data).
 - When dispose of batteries follow the instructions given in the section "protecting the environment".
 - Under extreme conditions ,battery leakage may occur .When you notice liquid on the battery , proceed as follows:
 - Carefully wipe the liquid off using a cloth. Avoid skin contact.
 - In case of skin or eye contact, follow the instructions below.
- The battery fluid, a 25-30% solution of potassium hydroxide, can be harmful. In case of skin contact, immediately rinse with water. Neutralize with a mild acid such as lemon juice or vinegar. In case of eye contact, rinse abundantly with clean water for at least 10 minutes. Consult a physician.

Chargers

- Charger's plug must match the outlet. Never modify the plug in any way. Unmodified plugs and matching outlets will reduce risk of electric shock..
- Use your charger only to charge batteries of the type supplied with your tool. Other batteries could burst, causing personal injury and damage.
- Only 2 battery packs are allowed to be charged simultaneously in order to prevent the charger overheating Allow sufficient time to let the charger cool down before further charging.
- When charging is finished, unplug the charger from mains socket outlet and the battery pack from the charger, do not leave the battery pack in the charger.
- Never carry the charger by its cord or pull it to disconnect from the socket. Keep the cord away from heat, oil and sharp edges.
- Never attempt to charge non-rechargeable batteries.

- The cord of charger is not replaceable, do not continue to use if the cord is damaged.
- Do not expose to moisture water or rain, do not use in wet damp or humid conditions.
- Do not open the charger.
- Do not probe the charger.
- Intended for indoor use only

Additional safety instructions for hedge trimmers

Wear safety goggles when operating this tool.

Wear gloves when operating this tool.

Do not expose the tool to rain or high humidity.

- **THIS TOOL CAN CAUSE SERIOUS INJURIES.** Read instructions carefully for the correct handling, preparation, maintenance, starting and stopping of the tool. Be familiar with all controls and proper use of the tool;
- Only use the tool in daylight or good artificial light.
- Never allow children to use the tool;
- Beware of overhead power lines;
- Avoid operating while people, especially children are nearby;
- Dress properly! Do not wear loose clothing or jewellery which can be caught in moving parts. Use of sturdy gloves, non-skid footwear, and safety glasses is recommended;
- If the tool stalls, immediately switch it off. Remove the battery before attempting to remove any obstructions;
- Remove the battery before checking, maintenance or working on the tool;
- While operating the tool be always sure of a safe and secure operating position especially when using steps or a ladder;
- Do not attempt to repair the tool;
- Do not operate the tool with a damaged or excessively worn cutting device;
- Always wear ear protection, goggle and helmet during operating;
- Always ensure that all guards are fitted when using the tool. Never attempt to use an incomplete tool or a tool with unauthorized modifications;
- Always use two hands to operate the tool;
- When transporting or storing the tool always fit the blade sheath.
- Always be aware of your surroundings and stay alert for possible hazards that you may not hear due to the noise of the tool;
- Do not carry the tool with your hands on the switch unless the battery has been removed .
- If you have not used a hedge trimmer before, preferably seek practical instruction by an experienced user in addition to studying this manual.
- Never touch the blades while the tool is running .
- Never attempt to force the blades to come to a standstill.
- Do not put the tool down until the blade have come to a complete standstill .
- Regularly check the blades for damage and wear . Do not use the machine when the blades are damaged.
- Take care to avoid hard objects (e.g. metal wire, railings)when trimming. Should you acciden-

- tally hit any such object immediately switch the tool off and check for any damage.
- Should the tool start to vibrate abnormally, immediately switch it off and check for any damage.
 - Always be aware of falling debris when cutting the higher sides of a hedge.
 - Be aware of the cutting blade, always wear gloves to protect your hands from cut.

Electrical safety

Your charger has designed for a specific mains voltage. Always check that the mains voltage corresponds to the voltage on the rating plate.

Symbols



Warning



Read the manual



Do not dispose of batteries. Return exhausted batteries to your local collection or recycling point.



Contains Li-ion battery. Battery must be recycled or disposed of properly.



Always charge the battery between temperatures 32 °F-104 °F (0 °C-40 °C).



Do not burn



Wear eye protection



Wear ear protection

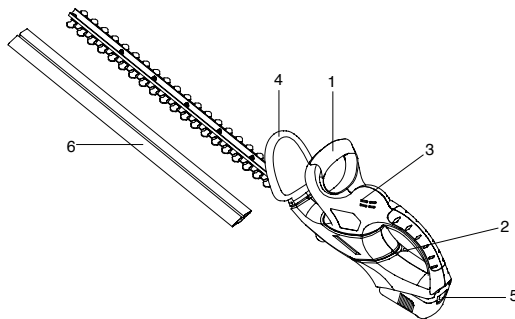


Do not use in the rain

Intended Use

1. This hedge trimmer is designated with a rated input power of DC18V. The product is intended for trimming hedges, bushes and shrubs. Observe the technical data for the maximum cutting capacity. Do not cut branches exceeding the stated maximum capacity.
2. This product is intended for private use only, not for any commercial applications. It may not be used for any purposes other than those described.
3. Attachments and safety guards must be used according to the respective functions and in accordance with this instruction manual.
4. For safety reasons it is essential to read the entire instruction manual before first operation and to observe all the instructions.
5. This product is not intended for use by persons (including children) with reduced physical, sensory or mental capabilities, or lack of experience and knowledge, unless they have been given supervision or instruction concerning use of the product by a person responsible for their safety.
6. Children should be supervised to ensure that they do not play with the product.

Assembly and Parts List



Parts list:

- | | | |
|----------------|-------------------------------|---------------------|
| 1.Front handle | 2.Lock-off button | 3.Ventilation slots |
| 4.Guard | 5.Battery pack (not supplied) | 6.Blade sheath |

Note: the battery pack(ET-D1802A) and charger(JLH302101300B) is not supplied, please purchase it separately.

Assembly

Warning! Before assembly, remove the battery pack from the tool.

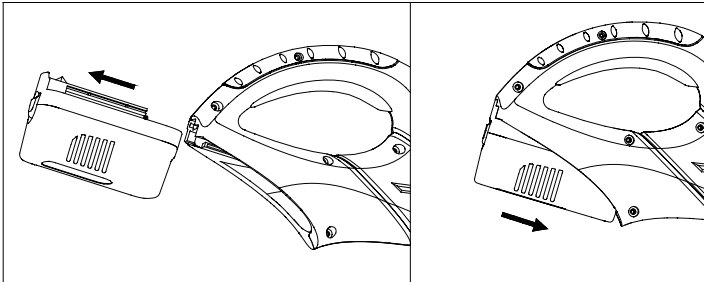


Fig 1

Fitting and removing the battery pack (Fig.1)

To fit battery pack

1. Place battery pack in your hedge trimmer. Align raised rib on battery pack with groove inside hedge trimmer. (Figure 1)
2. Make sure the latches on each side of your battery pack snap in place and battery pack secured in hedge trimmer before beginning operation.

To remove battery pack

1. Locate latches on end of battery pack and depress to release battery pack from your hedge trimmer.
2. Remove battery pack from your hedge trimmer. (Figure 1)

Charge the Battery (FIG 2)

CAUTION! Charge battery fully before initial use.

- The battery should be charged before first use and whenever it fails to produce sufficient power for the tool to function effectively.
- When charging the battery for the first time, or after prolonged storage, it will only accept an 80% charge. After several charge and discharge cycles, the battery will reach full capacity.
- The battery may become warm while charging. This is normal and does not indicate a problem.
- The charger requires no adjustment and is designed for ease of operation. Simply place your battery pack into the receptacle of the plugged-in charger and it will automatically charge your battery pack.

CAUTION! Do not charge the battery at ambient temperatures below 4°C or above 40°C (below 40°F or above 104°F).

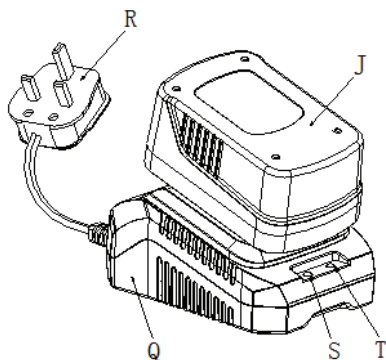


Fig 2

1. Insert the plug (R, Fig.2) into a 240V AC power outlet. The green LED power light (S, Fig.2) comes on, indicating the charger is ready for use.
2. Insert the battery pack into the receptacle in the charger (Q, Fig.2), making sure it is well sealed in the charger. The red LED light (T, Fig.2) will come on, and the green LED light (S, Fig.2) will shut off at the same time, indicating the battery is correctly seated and on charge.
3. If the red LED light (T, Fig.2) doesn't come on, and the green LED light (S, Fig.2) is still on, the battery pack is too hot and can not be charged. Remove the battery and allow it to cool for 30 minutes and then re-insert it.
4. The battery pack will normally be fully charged after 60 minutes, when the red LED light will shut off and the green light comes on again. The initial charge may take longer.
5. Remove the battery pack from the charger.

Important charging notes

Longest life and best performance can be obtained if the battery pack is charged when the air temperature is between 18-24°C. Do not charge the battery pack in a very low or very high air temperature. This is important and will prevent serious damage to the battery pack.

1. When using your tool continuously, the batteries in your battery pack will become hot. You should let a hot battery pack cool down for approximately 30 minutes before attempting to recharge.
2. The charger and battery pack may become warm to touch while charging. This is a normal condition, and does not indicate a problem.
3. Use the charger in normal room temperatures whenever possible. To prevent overheating, do not cover the charger and do not charge battery packs in direct sunlight or near heat sources.
4. If the battery pack does not charge properly
 - a). check current at receptacle by plugging in a lamp or other appliance.
 - b). move charger and battery pack to a location where the surrounding air temperature is approximately 18-24°C.
 - c). If charging problems persist, take or send the tool, battery pack and charger to your local service center.

5. The battery pack should be recharged when it fails to produce sufficient power on jobs which were easily done previously. **DO NOT CONTINUE** to use under these conditions. Follow the charging procedure. You may also charge a partially used pack whenever you desire with no adverse affect on the battery pack.
6. Under certain conditions, with the charger plugged in to the power supply, the exposed charging contacts inside the charger can be shorted by foreign material. Foreign materials of a conductive nature such as, but no limited to, steel wool, aluminum foil, or any buildup of metallic particles should be kept away from charger cavities. Always unplug the charger from the power supply when there is no battery pack in the cavity. Unplug charger before attempting to clean.
7. Do not immerse charger in water or any other liquid.
8. **WARNING!** don't allow any liquid to get inside charger. Electric shock may result. To facilitate the cooling of the battery pack after use, avoid placing the charger or battery pack in a warm environment such as in a metal shed, or an uninsulated trailer.
9. **CAUTION!** never attempt to open the battery pack for any reason. If the plastic housing of the battery pack breaks or cracks, return to a service center for recycling, do not put it into further use

Operation

Switch on and off (Fig.3)

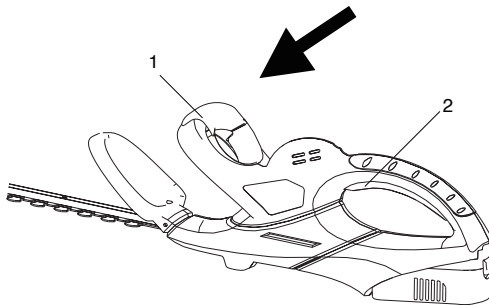


Fig 3

For your safety, this tool is equipped with a double switch system. This system prevents starting the tool inadvertently and will only allow operation while holding the tool with both hands.

Switching on

- Squeeze the front handle switch (1).
- Squeeze the front trigger switch (2).

Switching off

- Release the front handle switch (1) or the trigger switch(2).
Never attempt to lock a switch in the on position.

Technical data

Model No.	M0E-3ET-460
Voltage	18VDC
Blade strokes(no load)	1400 /min
Blade length	460mm
Blade gap	14mm
Blade brake time	<1S
Battery type	Lithium-Ion
Battery capacity	1.5Ah
Battery charging time	70mins

Maintenance

WARNING! Store the hedge trimmer indoors, in a cool dry location, out of reach of children and animals.

If storing hedge trimmer for more than 30 days, follow steps below.

1. Remove battery from hedge trimmer.
2. Charge battery completely. (Note: It could take up to 4 hours to completely charge the battery.)
3. When battery is completely charged, remove from charger

IMPORTANT: To prolong battery life, avoid leaving battery on charger for extended periods of time (over 30 days without use).

4. Store hedge trimmer and battery
 - in a high or locked place, out of children's reach.
 - in a dry place.
 - in a carrying case.

Disposal

The packaging material is reusable. Rid yourself of the packaging in an environmentally friendly way and put it in the collection of recyclable materials.



This product and its batteries must not be disposed of with domestic waste. The product must be disposed of at an authorised local collection place for recycling of electrical and electronic devices in pursuant to the European Directive 2002/96/EC

Guarantee

Thank you for purchasing a PowerG garden tool. In the unlikely event that your product develops a fault, please contact our team of technical experts at Core Service, the after-sales department, on 0844 856 0793 who will aim to resolve any faults over the phone for you.

This product is guaranteed for 1 year from the original date of purchase; the guarantee applies to material and manufacturing defects. These guarantee terms cover additional guarantee rights and do not affect your statutory rights. If the defect is covered by our guarantee your product will either be refunded in full, or replaced.

Guarantee claims should be submitted within the 12 month guarantee period after which no claims will be accepted.

Please note that our products are for DIY use only and are not designed for use in commercial, trade or industrial applications. Consequently, the guarantee is invalidated if the equipment is used in commercial, trade or industrial applications or for other equivalent activities. This product must be used in accordance with the instructions contained in this manual. The guarantee will be rendered invalid if the product has been damaged by unauthorised repairs or resold.

The following are also excluded from the guarantee:

- A) Faults due to accidents, customer misuse, or unauthorized repairs
- B) Consumable parts and accessories such as harness and debris collection bag
- C) Failure due to lack of routine maintenance
- D) Failure as a result of not using the equipment in accordance with the manual and safety instructions
- E) The adjustment of cables, drive belts or recoil starters

Please keep your proof of purchase in a safe place; this warranty is not valid without the original dated proof of purchase.

Core Service

Technical helpline: 0844 856 0793

Email: support@coreservice.co.uk

Website: www.coreservice.co.uk

CE-Description

SUMEC

Declaration of Conformity

We

SUMEC Hardware & Tools Co., Ltd.

198 ChangJiang RD ., Nanjing, CHINA

And our branch office

Sumec UK Co. Ltd

Unit A&B, Escrick Business Park,

Escrick, York

YO19 6FD

Declare that the product

18V Li-ion Hedge Trimmer

Model No: M0E-3ET-460

Complies with the essential health and safety requirements of the following directives:

2004/108/EC ---EMC Directive

2000/14/EC ---Outdoor Noise Directive

2006/42/EC ---Machinery Directive

2011/65/EU ---ROHS

Standards and technical specification referred to :

EN 60745-1:2009+A11:2010

EN 60745-2-15:2009+A1:2010

EN55014-1:2006/+A1:2009

EN55014-2:1997/+A1:2001+A2:2008

Authorized Signatory

Date: 2013-12-13

Signature:

Name: C:

Cai Ji Bo

General Manager

SUMEC Hardware & Tools Co., Ltd.



