

# PowerG<sup>®</sup>

## 18V CORDLESS GRASS TRIMMER N0E-5ET-230



CE



**Warning:** Read this instruction manual carefully before using the product.

### CAUTION

IMPORTANT! These instructions contain important information that will help you get the best from your grass trimmer, ensuring it is assembled correctly and safely.

### ORIGINAL INSTRUCTIONS

The battery pack and charger is not supplied, please purchase it separately

**PowerG<sup>®</sup>**

**18V CORDLESS  
GRASS TRIMMER**

General Safety Instructions	1
Intended Use	4
Assembly and Parts List	4
Charge the battery	6
Operation	8
Technical Data	9
Maintenance and Storage	9
Disposal	11
Guarantee	12
CE-Description	13

## General Safety Instructions



**WARNING: When using the machine the safety rules must be followed. For your own safety and that of bystanders please read these instructions before operating the machine. Please keep the instructions safe for later use.**

### Safety instructions for grass trimmer

- Wear safety goggles when operating this tool.
- Wear gloves when operating this tool.
- Do not expose the tool to rain or high humidity.
- Be familiar with the controls and proper use of trimmer;
- Never allow children or people unfamiliar with the instructions to use the trimmer;
- Keep children, other people and pets away from the trimmer; the grass which is cut and dispersed may contain stones and debris. Stop using the trimmer while people, especially children, or pets are nearby;
- Do not let other people or animals come within 15 feet of the trimmer when in use;
- Only use the trimmer in daylight or good artificial light;
- Before using the trimmer and after any impact, check for signs of wear or damage and repair as necessary. Do not use the trimmer if the cutting device is not secured properly or is damaged.
- Always check the good working order of the trimmer which, if not adequate, could endanger the user.
- Always use the guards when using the grass trimmer;
- Do not use the trimmer if the guards are damaged;
- Before starting the trimmer, make sure that the nylon line is not touching stones or debris.
- Keep hands and feet away from the cutting are at all times and especially when switching on the motor;
- Guard against injury from the cutting blade fitted for trimming the filament line length. After extending new cutting line always return the trimmer to its normal operating position before switching on;
- Do not use metal cutting elements;
- Do not use replacement parts or accessories not provided or not recommended by the manufacturer;
- Remove the battery before checking, cleaning or working on the trimmer and when it is not in use;
- Always ensure that ventilation openings are kept clear of debris;
- To avoid unintentional starting, do not carry the machine with a finger on the on/off switch.
- Remain in a stable and secure position while operating the trimmer.
- Keeps the area being cut free from wires, stones and debris.
- Do not cut against hard objects. This could cause injury or damage the trimmer;
- Warning. Cutting elements continue to rotate after the motor is switched off;
- Do not try to stop the cutting device (nylon line) with your hands. Always let it come to a stop by itself.

- Do not use the trimmer to cut grass which is not in contact with the ground; for example do not cut grass which is on walls or rocks etc.
- Do not cross roads or gravel paths with the trimmer still running.

## **Safety instructions for batteries and chargers**

### **Batteries**

- Never attempt to open for any reason
- Do not expose to water
- Do not incinerate the battery pack even if it is severely damaged or is completely worn out. The battery pack can explode in a fire.
- Do not store in locations where the temperature may exceed 40°C
- Do not leave the battery pack in the charger when the charging is finished, otherwise battery leakage may occur.
- Charge only at room temperature.
- Charge only using the charger provided with the tool.
- Before charging, make sure that the battery is dry and clean.
- Use only the correct type of battery for the tool.
- When dispose of batteries follow the instructions given in the section "protecting the environment".
- Under extreme conditions, battery leakage may occur. When you notice liquid on the battery, proceed as follows:
  - Carefully wipe the liquid off using a cloth. Avoid skin contact.
  - In case of skin or eye contact, follow the instructions below.
  - The battery fluid, a 25-30% solution of potassium hydroxide, can be harmful. In case of skin contact, immediately rinse with water. Neutralize with a mild acid such as lemon juice or vinegar. In case of eye contact, rinse abundantly with clean water for at least 10 minutes. Consult a physician.
- NOTE: The batteries in your battery pack are the Lithium-Ion type. Do not dispose of battery packs/batteries into household waste, fire or water. Battery packs/batteries should be collected, recycled or disposed of in an environmental-friendly manner.

### **Chargers**

- The Charger's plug must match the outlet. Never modify the plug in any way. Unmodified plugs and matching outlets will reduce risk of electric shock..
- Use your charger only to charge batteries of the type supplied with your tool. Other batteries could burst, causing personal injury and damage.
- Only 2 battery packs are allowed to be charged simultaneously in order to prevent the charger overheating Allow sufficient time to let the charger cool down before further charging.
- When charging is finished, unplug the charger from mains socket outlet and take away the battery pack from the charger, do not leave the battery pack in the charger.
- Never carry the charger by its cord or pull the cord to disconnect from the socket. Keep the cord away from heat, oil and sharp edges.

- Never attempt to charge non-rechargeable batteries.
- The cord of charger is not changeable, do not continue to use if the cord is damaged.
- Do not expose to water or rain, do not use in wet conditions.
- Do not open the charger.
- Do not probe the charger.
- The charger is intended for indoor use only.

## Symbols



Warning



Read the manual



Do not dispose of batteries. Return exhausted batteries to your local collection or recycling point.



Contains Li-ion battery. Battery must be recycled or disposed of properly.



Always charge the battery between temperatures 32 °F-104 °F (0 °C-40 °C).



Do not burn



Wear eye protection



Wear ear protection



Do not use in the rain



Keep bystanders away



Wear protective clothing and boots.

## Intended Use

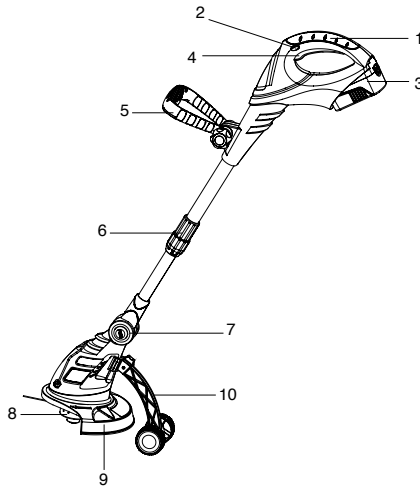
This electric grass trimmer is designated with a rated power input of 18V DC.

The product is intended for cutting weed, grass or similar soft vegetation in areas that are hard to reach, e.g. under bushes, on slopes and edges. It may not be used to work on unusual thick, dry or wet grass, e.g. pasture grass, or to shred leaves.

For safety reasons it is essential to read the entire instruction manual before first operation and to observe all the instructions therein.

This product is intended for private domestic use only, not for any commercial trade use. It must not be used for any purposes other than those described.

## Assembly and Parts List



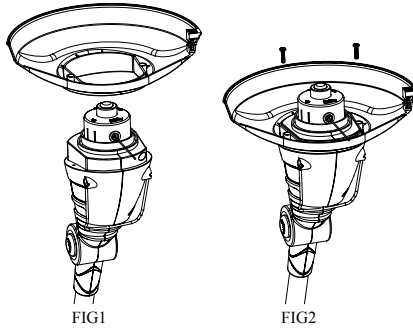
### Parts list:

1. main handle
2. safety switch lock
3. battery pack (not supplied)
4. switch on/off
5. front handle
6. height adjustment knob
7. edging adjustment knob
8. trimming head
9. safety guard
10. support wheel

Note: the battery pack(ET-D1802A) and charger(JLH302101300B) is not supplied, please purchase it separately.

## Assembly

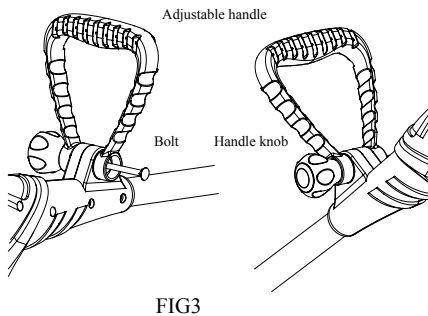
### Guard installation



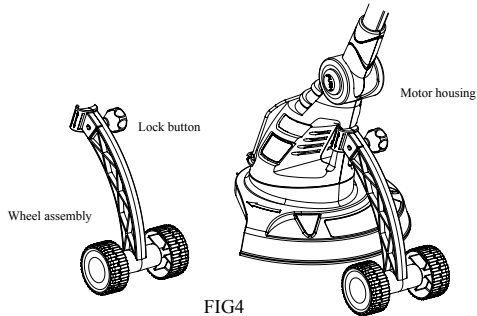
- Remove two screws from the motor housing.
- Slide guard over motor housing.(FIG 1)
- Re-insert two screws into the guard and tighten.(FIG 2)

### Attach adjustable handle (FIG 3)

- Turn the handle knob and Draw out the bolt from the adjustable handle.
- Insert the adjustable handle in the machine handle.
- Insert the bolt and handle knob, then turn the handle knob lightly tighten.
- Before tightening completely, turn the adjustable handle in desired angle. When adjustable handle is in desired angle, tighten the handle knob securely.



## Wheel assembly installation(FIG4)



1. Turn out the lock button from the wheel assembly.
2. Insert the wheel assembly into the correct position and perfect height on the motor housing.
3. Turn the lock button tightly.

## Charge the Battery

The battery needs to be charged before first use and whenever it fails to produce sufficient power for the tool to function effectively.

The battery may become warm while charging; this is normal and does not indicate a problem.

NOTE: After several charge and discharge cycles, the battery will attain full capacity.

DO NOT CHARGE THE BATTERY AT AMBIENT TEMPERATURES BELOW 4°C OR ABOVE 40°C.

RECOMMENDED CHARGING TEMPERATURES: APPROX. 24°C.

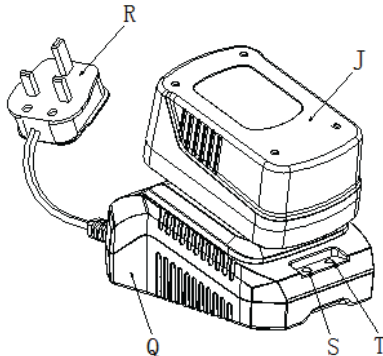


Fig 5

1. Insert the plug (R, Fig.5) into a 240V AC power outlet. The green LED power light (S, Fig.5) comes on, indicating the charger is ready for use.
2. Insert the battery pack into the receptacle in the charger (Q, Fig.5), making sure it is well sealed in the charger. The red LED light (T, Fig.5) will come on, and the green LED light (S, Fig.5) will shut

off at the same time, indicating the battery is correctly seated and on charge.

3. If the red LED light (T, Fig.5) doesn't come on, and the green LED light (S, Fig.5) is still on, the battery pack is too hot and can not be charged. Remove the battery and allow it to cool for 30 minutes and then re-insert it.

4. The battery pack will normally be fully charged after 70 minutes, when the red LED light will shut off and the green light comes on again. The initial charge may take longer.

5. Remove the battery pack from the charger.

### **Important charging notes**

Longest life and best performance can be obtained if the battery pack is charged when the air temperature is between 18-24°C. Do not charge the battery pack in a very low or very high air temperature. This is important and will prevent serious damage to the battery pack.

1. When using your tool continuously, the batteries in your battery pack will become hot. You should let a hot battery pack cool down for approximately 30 minutes before attempting to recharge.

2. The charger and battery pack may become warm to touch while charging. This is a normal condition, and does not indicate a problem.

3. Use the charger in normal room temperatures whenever possible. To prevent overheating, do not cover the charger and do not charge battery packs in direct sunlight or near heat sources.

4. If the battery pack does not charge properly

a). check current at receptacle by plugging in a lamp or other appliance.

b). move charger and battery pack to a location where the surrounding air temperature is approximately 18-24°C.

c). If charging problems persist, take or send the tool, battery pack and charger to your local service center.

5. The battery pack should be recharged when it fails to produce sufficient power on jobs which were easily done previously. DO NOT CONTINUE to use under these conditions. Follow the charging procedure. You may also charge a partially used pack whenever you desire with no adverse effect on the battery pack.

6. Under certain conditions, with the charger plugged in to the power supply, the exposed charging contacts inside the charger can be shorted by foreign material. Foreign materials of a conductive nature such as, but not limited to, steel wool, aluminum foil, or any buildup of metallic particles should be kept away from charger cavities. Always unplug the charger from the power supply when there is no battery pack in the cavity. Unplug charger before attempting to clean.

7. Do not immerse charger in water or any other liquid.

8. **WARNING!** don't allow any liquid to get inside charger. Electric shock may result. To facilitate the cooling of the battery pack after use, avoid placing the charger or battery pack in a warm environment such as in a metal shed, or an uninsulated trailer.

9. **CAUTION!** never attempt to open the battery pack for any reason. If the plastic housing of the battery pack breaks or cracks, return to a service center for recycling, do not put it into further use

## Operation

Grip rear handle and press trigger lock-off button (A) with thumb then pull trigger switch (B). (See FIG 6)

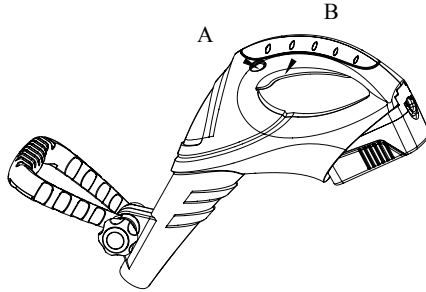


Fig 6

### Starting

You must charge once before use.

1. Before starting the grass trimmer for the first time, check that the nylon lines touch or pass over the wire cutting blade. If they are not long enough:
  - (1). Press the spool button (FIG 7)
  - (2). Pull more nylon wires to lengthen. (FIG 7)
2. The lengthened nylon line will be cut to size automatically by the wire cutting blade once the lawn trimmer is turned on.
3. During use, the nylon line will become shortened or worn. To automatically lengthen or advance the nylon cutting line, tap the spool button lightly on ground (while the unit is running). (FIG 8)

These operations should be repeated a few times before starting work to make sure that everything is functioning properly and to familiarize yourself with the grass trimmer. Start off slowly, when you have gained experience, you will be able to use the grass trimmer to its full potential.

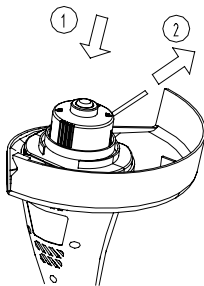


Fig 7

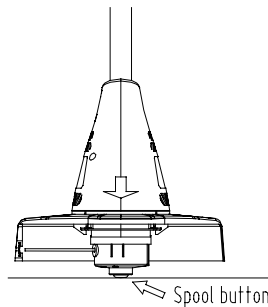


Fig 8

4. The length of the grass trimmer can be infinitely varied and therefore adjusted to your individual height (FIG 9):
  - (1). Hold the tube with one hand, and then loosen the adjusting bolt.

(2).Set the handle to the correct length and tighten the adjusting bolt.

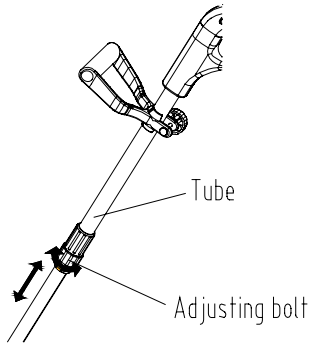


Fig 9

## Technical data

Type	NOE-5ET-230
Voltage	18VDC
Battery type	Lithium-Ion
No load speed	8000 /min
Cutting width	230mm
Battery capacity	1.5Ah
Charging time	70 minutes
Net weight wit battery	1.9kg

## Maintenance and Storage

1. After use, remove the battery pack from the trimmer;
2. When not in use store the machine out of the reach of children;
3. Use only manufacturer recommended replacement parts and accessories;
4. Your trimmer line can dry out over time. To keep your line in top condition, store spare pre-wound spools or bulk line in a plastic, sealable bag with a tablespoon of water.
5. To clean the tool, remove battery pack and use only mild soap and a damp cloth to clean the tool. Do not immerse tool in water or squirt it with a hose. Do not allow any liquid to get inside it. Do not clean with a pressure washer.
6. The line cutter on the edge of the guard can dull over time. It is recommended you periodically touch-up the sharpness of the blade with a file.

### Replace the spool of nylon line

1. Switch off the trimmer and wait for all parts to stop moving.
2. Remove the battery pack.
3. Remove the spool assembly from the trimmer. To do so, hold the outer ribbed part of the

assembly with one hand, while pushing down and turning the spool head with the other to unlock it (FIG 10). The spool carrier and spool will now disassemble easily.

Note: There is a spring inside the head that could easily be lost. Ensure that it is put in a safe place.

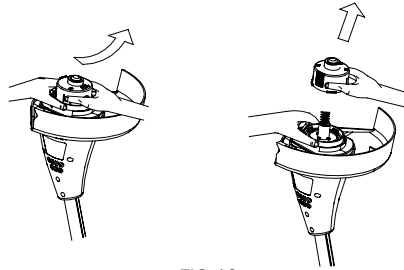


FIG 10

4. Choose either OPTION 1 or OPTION 2 below for spool or line replacement.

5. Insert the line through the eyelet in the spool carrier and slide the spool into it. (FIG 11)

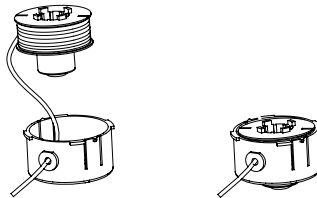


FIG 11

6. Making sure to insert the spring, assemble the spool and spool carrier back onto the trimmer.

To do so, push the head on and turn it clockwise until it locks. (FIG 12)

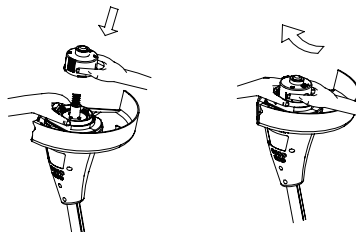


FIG 12

7. To test if the line is advancing properly, push the button with your thumbs while pulling the wire with your fingers. The line should advance freely.

OPTION 1: ACCESSORY REPLACEMENT SPOOL

Use replacement spool

## OPTION 2: REWINDING SPOOL USING LINE

Line for your trimmer is available at extra cost from your local dealer. To install line, follow the steps below:

1. Insert one end of line into the hole in the spool as shown FIG 13 about 3 mm.

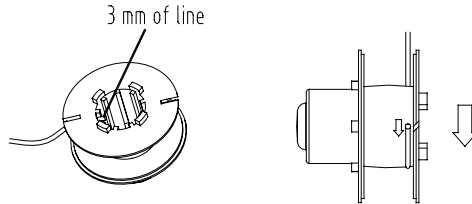


FIG 13

Snugly and evenly wind the line onto the spool in the direction of the arrow on the spool (FIG 13), until the line builds up to the notches in the spool rim. Do not overfill spool. The spool holds about 6.5 m of line.

## Storage

**WARNING!** Store the grass trimmer indoors, in a cool dry location, out of reach of children and animals.

If storing grass trimmer for more than 30 days, follow steps below.

1. Remove battery from grass trimmer.
2. Charge battery completely. (Note: It could take up to 4 hours to completely charge the battery.)
3. When battery is completely charged, remove from charger

**IMPORTANT:** To prolong battery life, avoid leaving battery on charger for extended periods of time (over 30 days without use).

4. Store grass trimmer and battery
  - in a high or locked place, out of children's reach.
  - in a dry place.
  - in a carrying case.

## Disposal

The packaging material is reusable. Rid yourself of the packaging in an environmentally friendly way and put it in the collection of recyclable materials.



This product and its batteries must not be disposed of with domestic waste. The product must be disposed of at an authorised local collection place for recycling of electrical and electronic devices in pursuant to the European Directive 2002/96/EC

## Guarantee

Thank you for purchasing a PowerG garden tool. In the unlikely event that your product develops a fault, please contact our team of technical experts at Core Service, the after-sales department, on 0844 856 0793 who will aim to resolve any faults over the phone for you.

This product is guaranteed for 1 year from the original date of purchase; the guarantee applies to material and manufacturing defects. These guarantee terms cover additional guarantee rights and do not affect your statutory rights. If the defect is covered by our guarantee your product will either be refunded in full, or replaced.

Guarantee claims should be submitted within the 12 month guarantee period after which no claims will be accepted.

Please note that our products are for DIY use only and are not designed for use in commercial, trade or industrial applications. Consequently, the guarantee is invalidated if the equipment is used in commercial, trade or industrial applications or for other equivalent activities. This product must be used in accordance with the instructions contained in this manual. The guarantee will be rendered invalid if the product has been damaged by unauthorised repairs or resold.

The following are also excluded from the guarantee:

- A) Faults due to accidents, customer misuse, or unauthorized repairs
  - B) Consumable parts and accessories such as harness and debris collection bag
  - C) Failure due to lack of routine maintenance
  - D) Failure as a result of not using the equipment in accordance with the manual and safety instructions
  - E) The adjustment of cables, drive belts or recoil starters
- Please keep your proof of purchase in a safe place; this warranty is not valid without the original dated proof of purchase.

Core Service

Technical helpline: 0844 856 0793

Email: [support@coreservice.co.uk](mailto:support@coreservice.co.uk)

Website: [www.coreservice.co.uk](http://www.coreservice.co.uk)

## CE-Description

# SUMEC

Declaration of Conformity

We

SUMEC Hardware & Tools Co., Ltd.

198 ChangJiang RD ., Nanjing, CHINA

And our branch office

Sumec UK Co. Ltd

Unit A&B, Escrick Business Park,

Escrick, York

YO19 6FD

Declare that the product

18V Li-ion Grass Trimmer

Model No: NOE-5ET-230

Complies with the essential health and safety requirements of the following directives:

2004/108/EC ---EMC Directive

2000/14/EC ---Outdoor Noise Directive

2006/42/EC ---Machinery Directive

2011/65/EU ---ROHS

Standards and technical specification referred to :

EN60745-1:2009+A11:2010

EN786:1996+A2:2009

EN55014-1:2006+A1+A2

EN55014-2:1997+A1+A2

Authorized Signatory

Date: 2013-12-13

Signature: \_\_\_\_\_

*Cai Ji Bo*

Name: Cai Ji Bo

General Manager

SUMEC Hardware & Tools Co., Ltd.





