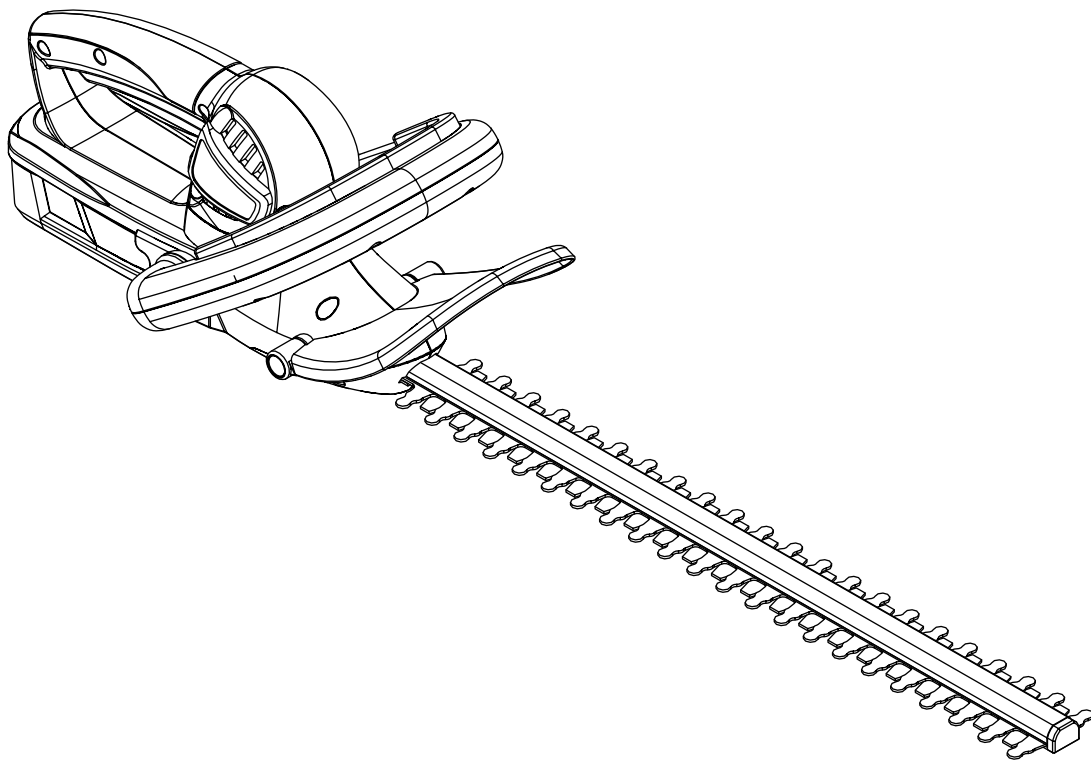


# Qualcast 18V Li-ion Cordless Hedge Trimmer

Assembly Manual

SHT19



**Important** - Please read these instructions fully before starting assembly

These instructions contain important information that will help you get the best from your cordless hedge trimmer, ensuring it is assembled correctly and safely.

If you need help or have damaged or missing parts, call the Customer Helpline on **0845 034 2279** prior to returning product to store.

# Contents

Safety Information.....	3
Warning Symbols.....	3
General Safety.....	3
Personal Safety.....	3
Intend Use.....	3
In the Box.....	4
Parts.....	4
Assembly.....	4
Preparing To Assemble The Hedge Trimmer.....	5
Step 1 - Charging the battery pack.....	5
Step 2 - Using the battery pack.....	7

# Safety Information

Important - Please read these instructions fully before starting assembly

## Warning Symbols

The following warning symbols appear throughout this assembly manual and indicate the appropriate safety measures you should take when assembling and operating the hedge trimmer.



This symbol indicates there is a danger of serious personal injury or death if you do not observe the warning.



This symbol indicates that there is a danger of damaging your hands if you do not wear thick, protective gloves.

## General Safety



**WARNING!** Keep this assembly manual in a safe place for future reference.



**WARNING!** Always ensure anyone intending to operate this hedge trimmer is fully conversant with the content of this assembly manual prior to assembling, maintaining or operating the hedge trimmer.



**WARNING!** Perform assembly operations as described in this manual. Failure to observe this warning may lead to serious injury, death or damage to the hedge trimmer.



**WARNING!** Always take care when removing the packaging to prevent damage to you or to the hedge trimmer.



**IMPORTANT!** Before assembling the hedge trimmer, check all the parts indicated in the manual are in the box. Inspect all the parts for signs of damage. Do not assemble the hedge trimmer if you observe any damaged components.

## Personal Safety



**WARNING!** Only operate the hedge trimmer if you are wearing the correct Personal Protective Equipment (PPE) as described in the following warnings.



**WARNING!** Always wear suitable gloves when operating hedge trimmer to protect your hands from flying debris and/or sharp objects.

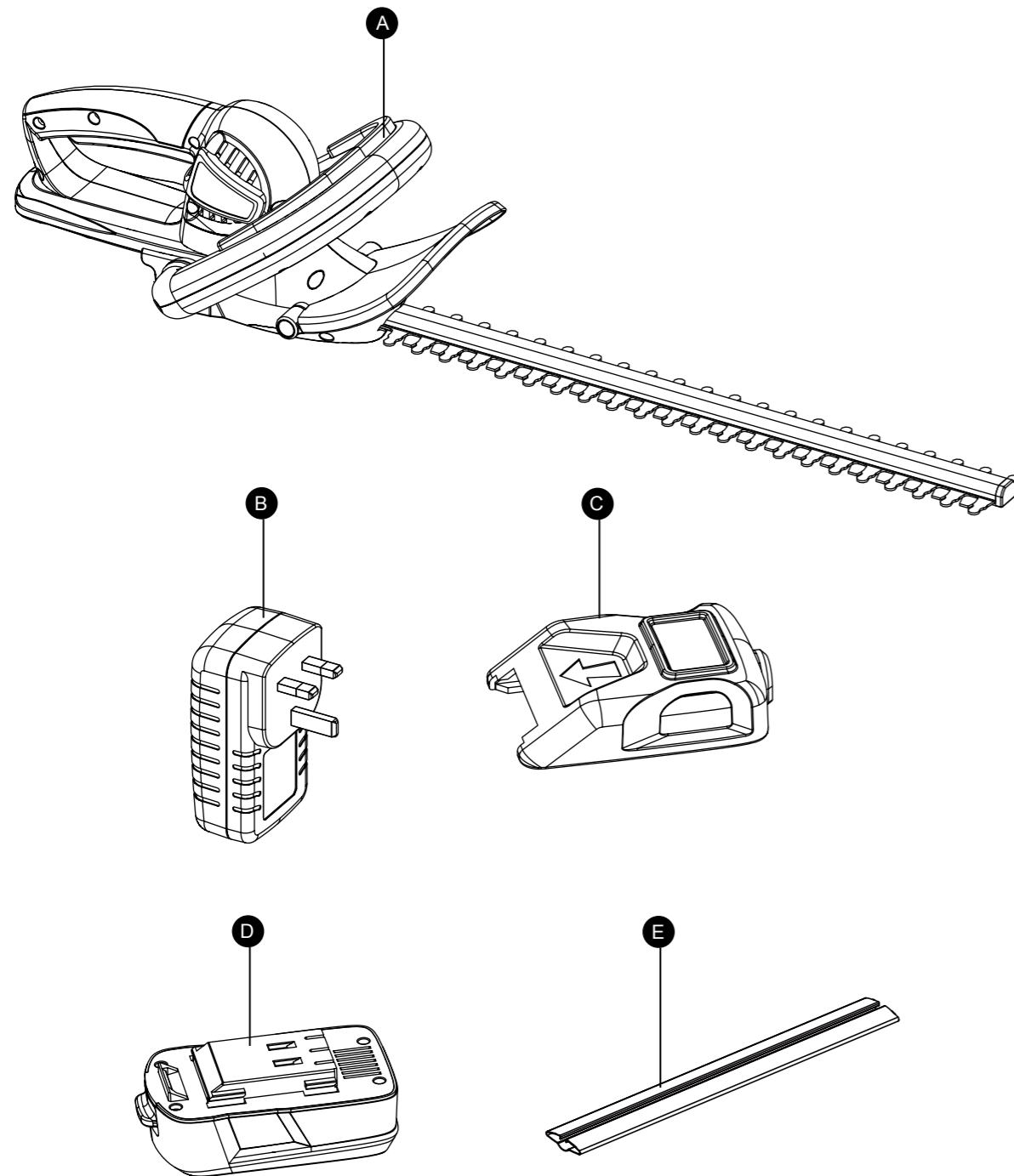
## Intend Use

1. The product is intended for trimming hedges, bushes and shrubs. Observe the technical data for the maximum cutting capacity. Do not cut branches exceeding the stated maximum capacity.
2. This product is intended for private use only, not for any commercial applications. It may not be used for any purposes other than those described.
3. Attachments and safety guards must be used according to the respective functions and in accordance with this instruction manual.
4. This product is not intended for use by persons (including children) with reduced physical, sensory or mental capabilities, or lack of experience and knowledge, unless they have been given supervision or instruction concerning use of the product by a person responsible for their safety.
5. Children should be supervised to ensure that they do not play with the product.

# In the Box

## Parts

- A** Hedge trimmer
- B** Charger
- C** Charger station
- D** Battery pack
- E** Blade Sheath attached on the hedge trimmer



# Assembly

## Preparing to Assemble the Hedge Trimmer



**WARNING!** Always take care when removing the packaging to prevent damage to you or to the hedge trimmer.

1. Remove all parts of the hedge trimmer from the box and carefully remove all packaging. Take care not to lose any instructions which may be affixed to the parts. These provide important information which will be required while assembling the hedge trimmer.

2. Keep all packaging until the hedge trimmer is fully assembled and has been operated successfully.



**NOTE!** Always recycle the packaging in accordance with local recycling schemes.

## Step 1 - Charging the battery pack



**WARNING!** Be sure to read all safety instructions before using your charger. This product is not user serviceable. There are no user serviceable parts inside the charger. Servicing at an authorized service center.



**WARNING!** The battery pack needs to be charged before first use and whenever it fails to produce sufficient power on jobs that were easily done before. After several charge and discharge cycles, the battery pack will attain full capacity.



**WARNING!** Read all of the instructions in the battery charger section of this manual before attempting to charge the battery pack for your tool. Always use correct battery pack (pack supplied with tool or replacement pack exactly like it). Never install any other battery pack, it will ruin your tool and may create a hazard.



**WARNING!** The charger is required to avoid damage to static sensitive internal components.



**WARNING!** The battery may become warm while charging. This is normal and does not indicate a problem.



**WARNING!** Use the charger in normal room temperatures whenever possible. To prevent overheating, do not cover the charger and do not charge battery packs in direct sunlight or near heat sources.



**NOTE!** If the battery pack does not charge properly

---(1) Check current at receptacle by plugging in a lamp or other appliance.

---(2) Move charger and battery pack to a location where the surrounding air temperature is approximately 18-25°C.

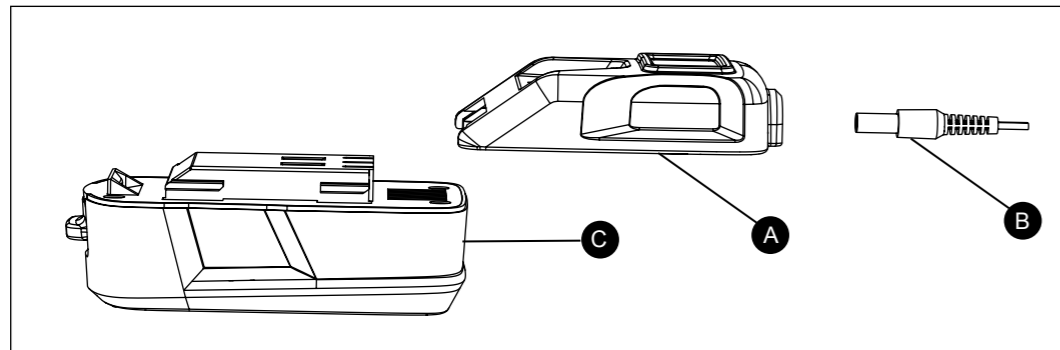
---(3) If charging problems persist, take or send the tool, battery pack and charger to your local service center.



**WARNING!** Under certain conditions, with the charger plugged into the power supply, the exposed charging contacts inside the charger can be shorted by foreign material. Foreign materials of a conductive nature such as, but not limited to, steel wool, aluminum foil, or any build up of metallic particles should be kept away from charger cavities. Always unplug the charger from the power supply when there is no battery pack in the cavity. Unplug charger before attempting to clean.

# Assembly

## Step 1 - Charging the battery pack (continued)



1. Plug the charger into an appropriate AC power outlet. The green LED light comes on indicating the charger is ready for use.

2. Connect the plug wire (B) to the charger station (A).

3. Insert battery pack (C) into the charge station (A). The battery pack (C) will only fit into the charger one way. Do not force the battery pack. Be sure that battery pack is fully seated in the charger.

4. Insert the battery pack (C) into the charger station (A), making sure the pack is fully seated in the charger station. The Red LED light comes on indicating the battery pack is on charge.

5. The battery pack will be fully charged after about 1 hour, and the red LED will change to green. Unplug the charger (B) and remove the battery pack.



**NOTE!** When the charging is finished, do not leave your battery pack on charge continuously. This may damage the battery cells. If the battery pack is very hot, you must allow it to cool firstly to ambient temperature and then recharging can be started. If you charge a second battery pack immediately after the first one, then the charger adapter can be overheated. Always allow at least 15 minutes rest between battery pack charging.



**WARNING!** Do not immerse charger in water or any other liquid.



**WARNING!** Do not allow any liquid to get inside charger. Electric shock may result.

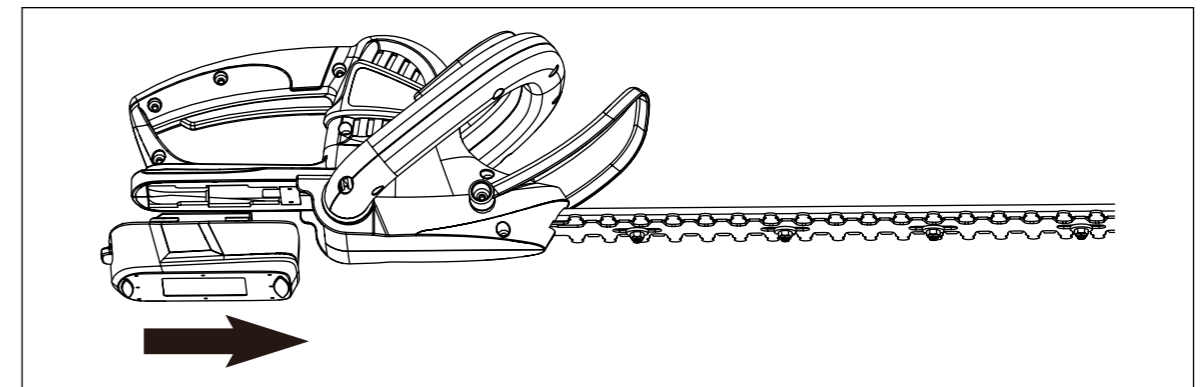


**WARNING!** To facilitate the cooling of the battery pack after use, avoid placing the charger or battery pack in a warm environment such as a metal shed or an uninsulated trailer.

**WARNING!** Never attempt to open the battery pack for any reason. If the plastic housing of the battery pack breaks or cracks, return to a service center for recycling. Do not put it into further use.

# Assembly

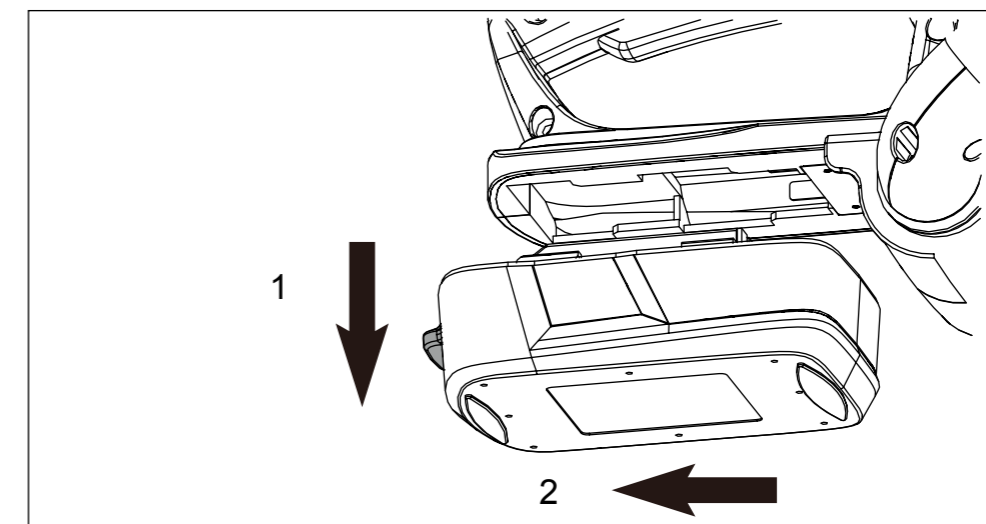
## Step 2 - Using the battery pack



### To fit the battery pack

1. Place battery pack in your hedge trimmer. Align raised rib on battery pack with groove inside the hedge trimmer.

Make sure the latches on each side of your battery pack snap in place and battery pack is secured in hedge trimmer before operation.



### To remove the battery pack

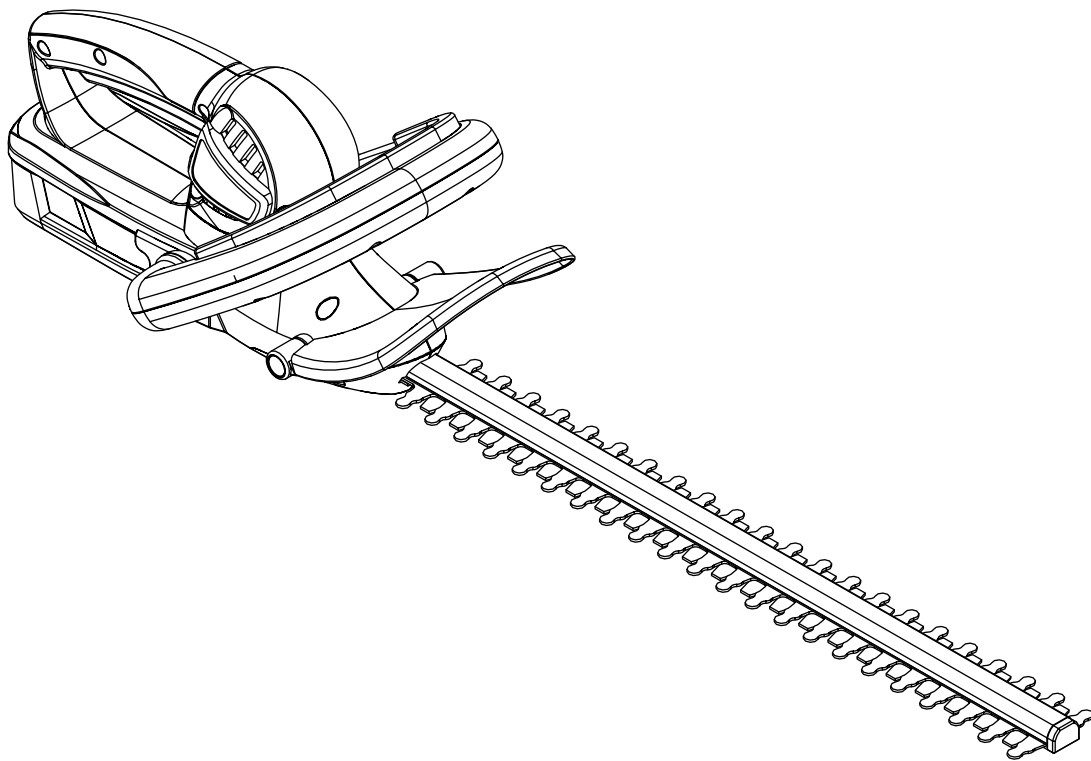
1. Locate latches on end of battery pack and depress to release battery pack from your hedge trimmer.

2. Remove battery pack from your hedge trimmer.

# Qualcast 18V Li-ion Cordless Hedge Trimmer

Operation and Maintenance Manual

SHT19



**Important** - Please read these instructions fully before operating or maintaining your hedge trimmer.

These instructions contain important information that will help you get the best from your cordless hedge trimmer, ensuring it is assembled correctly and safely.

If you need help or have damaged or missing parts, call the Customer Helpline on **0845 034 2279** prior to returning product to store.

# Contents

Safety Information.....	3
Warning Symbols on the unit.....	3
Warning Symbols on the charger.....	4
Warning Symbols on the battery.....	4
General Safety.....	5
Preparation.....	5
Work Area Safety.....	5
Personal Safety.....	6
Electrical Safety of Tool and Charger.....	6
Operation Safety.....	7
Maintenance and Storage.....	8
Service.....	8
Preparing to Operate the Hedge Trimmer.....	9
Step 1 - Removing the blade sheath.....	9
Operating the Hedge Trimmer.....	10
Step 1 - Switch on /off.....	10
Step 2 - Cutting.....	11
Maintenance and Repair.....	12
Maintenance and Repair.....	12
General.....	12
Cutting Device.....	12
Storage and Transportation.....	12
Storage.....	12
Transportation.....	13
Troubleshooting.....	13
Technical Data.....	14
Recycling and Disposal.....	15
Guarantee.....	16
Declaration of Conformity.....	17

# Safety Information

Important - Please read these instructions fully before operating or maintaining

## Warning Symbols on the Unit

The following warning symbols appear through this manual and indicate the appropriate safety measures you should take when operating and maintaining the hedge trimmer.



**Warning!**



**Read the instruction manual**



**Conforms to all relevant safety standards.**



**Wear eye protection.**



**Wear ear protection.**



**Wear gloves protection.**



**Wear foot protection.**



**Do not expose to rain.**



**Keep bystanders away. Thrown objects can cause serious injury.**



**Keep fingers away from moving cutting device!**



**Electrical Tool Disposal!** In accordance with European Directive 2002/96/EC on waste electrical and electronic equipment and its implementation in national law, Electric tools are collected separately and recycled environmentally. Take advantage of the collection facilities. Ask your local council for the collection systems. If electrical appliances are disposed incorrectly the environment can be poisoned as the hazardous substances enter into the groundwater supplies and entering the food chain, or flora and fauna.



**Guaranteed sound power level**

# Safety Information

Important - Please read these instructions fully before operating or maintaining

## Warning Symbols on the charger



Warning!



Before using for the first time, carefully read through the user manual



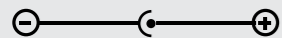
The charger is for indoor use only



Protection class II



T2A Fuse



Pole orientation



Take a power tool in the domestic waste! In accordance with European Directive 2002/96/EC on waste electrical and electronic equipment and its implementation in national law, Electric tools collected separately and environmentally friendly recycling are fed. Take advantage of the collection facilities. Ask your local government for the collection systems. If electrical appliances are disposed of, can be poisoned for years while the cause hazardous substances into the groundwater and entering the food chain, or flora and fauna.

## Warning Symbols on the battery



Do not dispose batteries in house –hold waste, fire or water.



Do not subject the battery to strong sunlight over long periods and do not leave it on a heater heater (max.45°C)



Take batteries to an old battery collection point where they will be recycled in an environmentally friendly manner.

# Safety Information

Important - Please read these instructions fully before operating or maintaining

## General Safety



**WARNING!** Keep this operating and maintenance manual in a safe place for future reference.



**WARNING!** Read the instructions carefully. Be familiar with the controls and the proper use of the equipment.



**WARNING!** Never allow children or people unfamiliar with these instructions to use the hedge trimmer. Local regulations can restrict the age of the operator.



**WARNING!** Never trim while people, especially children, or pets are nearby. Keep in mind that the operator or user is responsible for accidents or hazards occurring to other people or their property.



**WARNING!** This appliance is not intended for use by people (including children) with reduced physical, sensory or mental capabilities, or lack of experience and knowledge, unless they have been given supervision or instruction concerning use of the appliance by a person responsible for their safety.



**WARNING!** Do not touch the reciprocating blades.

## Preparation

- THIS MACHINE CAN CAUSE SERIOUS INJURIES.** Read the instruction carefully for the correct handling, preparation, maintenance, starting and stopping of the appliance. Be familiar with the controls and the proper use of the appliance. Read and understand the operator's manual and observe the warnings and instruction labels affixed to the appliance.
- Users.** Never allow children or people unfamiliar with these instructions to use the appliance. Local regulations may restrict the age of operator. Never operate the tool under the influence of alcohol, medication or drugs.
- Use appropriate tool.** This device is only intended for trimming hedges, bushes and shrubs and only designated for use on private property. Do not force small tools or attachments to do the job of a heavy duty tool.

## Work Area Safety

- Keep work areas clean.** Cluttered areas and benches can cause accidents.
- Consider work area environment.** Do not expose your tool to high humidity or rain. Do not use your tool in damp and wet conditions. Keep the work area well lit.
- Keep all bystanders, children, and pets at least 50 feet away.** The operator or user is responsible for accidents or hazards occurring to other people or the property.
- Do not operate power tools in explosive atmospheres, such as in the presence of flammable liquids, gases or dust.** Power tools create sparks which may ignite the dust or fumes.

## Safety Information

Important - Please read these instructions fully before operating or maintaining

### Personal Safety

- a) **Use personal protective equipment(PPE).** Always wear eye protection. Protective equipment such as dust mask, non-slip safety shoes, hard hat, or hearing protection used for appropriate conditions will reduce personal injuries.
- b) **Dress appropriately.** Do not wear loose clothing or jewelry, as these can be caught in moving parts. Preferably wear non-slip footwear when working outdoors. Wear protective hair covering to keep long hair out of the way.
- c) **Stay alert, watch what you are doing and use common sense when operating a power tool. Do not use a power tool while you are tired or under the influence of drugs, alcohol or medication.** A moment of inattention while operating power tools may result in serious personal injury.
- d) **Prevent unintentional starting. Ensure the switch is in the off-position before connecting to power source and/or battery pack, picking up or carrying the tool.** Carrying power tools with your finger on the switch or energising power tools that have the switch on invites accidents.
- e) **Remove any adjusting key or wrench before turning the power tool on.** A wrench or a key left attached to a rotating part of the power tool may result in personal injury.
- f) **Do not overreach. Keep proper footing and balance at all times.** This enables better control of the power tool in unexpected situations.

### Electrical Safety of Tool and Charger

- a) **The charger is designed to use standard household 230-240V 50Hz power. The charger's plug must match the outlet. Never modify the plug in any way.** Unmodified plugs and matching outlets will reduce risk of electric shock.
- b) **Avoid body contact with earthed or grounded surfaces, such as pipes, radiators, ranges and refrigerators.** There is an increased risk of electric shock if your body is earthed or grounded.
- c) **Do not expose power tools to rain or wet conditions.** Water entering a power tool will increase the risk of electric shock.
- d) **Do not abuse the cord of charger. Never use the cord for carrying, pulling or unplugging the charger. Keep cord away from heat, oil, sharp edges or moving parts.** Damaged or entangled cords increase the risk of electric shock.
- e) **Make sure charger cord is located so that it will not be stepped on, tripped over, or otherwise subjected to damage or stress.**
- f) **DO NOT** incinerate the tool or battery packs even if they are severely damaged or completely worn out. The batteries can explode in a fire. You should return it to a local battery collection point in accordance with Battery Regulations.

## Safety Information

Important - Please read these instructions fully before operating or maintaining

### Operation Safety

- a) **Be certain the parts are fully tightened before operating the tool.** Check it periodically for tightness during use to avoid serious injury.
- b) **Risk of cut.** Do not touch or try to stop the cutting blades when they are moving.
- c) **Use the designated battery and battery charger.** Use of an attachment not recommended by manufacturer may result in a risk of fire, electric shock or injury to persons.
- d) **Check for damaged parts.** Before further use, carefully check the tool for damage. Check for alignment of moving parts, binding of moving parts, breakage of parts, mounting and any other condition that may affect its operation. Do not use the tool if any parts are damaged or defective. Have any damaged or defective parts repaired or replaced by an authorized service agent. Never attempt any repairs yourself.
- e) **Grip the tool securely.** Operator should one hand on the main handle, the other on the rear handle.
- f) **Keep handle dry, clean and free from oil and grease.** Slippery handles do not allow for safe handling and control of the tool in unexpected situations.
- g) **Do not cut from the ladder.** This is extremely dangerous. Leave this operation for professionals.
- h) **Carry the hedge trimmer by the handle with the cutter blade stopped. When transporting or storing the hedge trimmer always fit the cutting device cover.** Proper handling of the hedge trimmer will reduce possible personal injury from the cutter blades.
- i) **Do not start the hedge trimmer with the blade cover fitted.**
- j) **Do not force the power tool. Use the correct power tool for your application.** The correct power tool will do the job better and safer at the rate for which it was designed.
- k) **Do not use the power tool if the switch does not turn it on and off.** Any power tool that cannot be controlled with the switch is dangerous and must be repaired.
- l) **Do not charge the battery in an air temperature below 5°C or above 45°C. This is important and will prevent serious damage to the battery.** Longest life and best performance can be obtained if the battery is charged when air temperature is about 25°C.
- m) **Disconnect the plug from the power source and/or the battery pack from the power tool before making any adjustments, changing accessories, or storing power tools.** Such preventive safety measures reduce the risk of starting the power tool accidentally.

## Safety Information

Important - Please read these instructions fully before operating or maintaining

### Maintenance and Storage

- a) **Maintain tools with care.** Keep tools clean and in good condition for better and safer performance. Follow the instructions for maintenance and changing accessories. Keep handles and switches dry, clean and free from oil and grease.
- b) **Keep cutting tools sharp and clean.** Properly maintained cutting tools with sharp cutting edges are less likely to bind and are easier to control.
- c) **Store idle power tools out of the reach of children and do not allow persons unfamiliar with the power tool or these instructions to operate the power tool.** Power tools are dangerous in the hands of untrained users.
- d) **Store the appliance with battery pack fully charged.**

### Service

- a) **Have your tool repaired by an authorized service agent.** This tool is manufactured in accordance with the relevant safety regulations. To avoid danger, electrical appliances must only be repaired by qualified technicians.
- b) **DO NOT attempt to open the charger.** There are no customer serviceable parts inside. Return to any authorized service center.

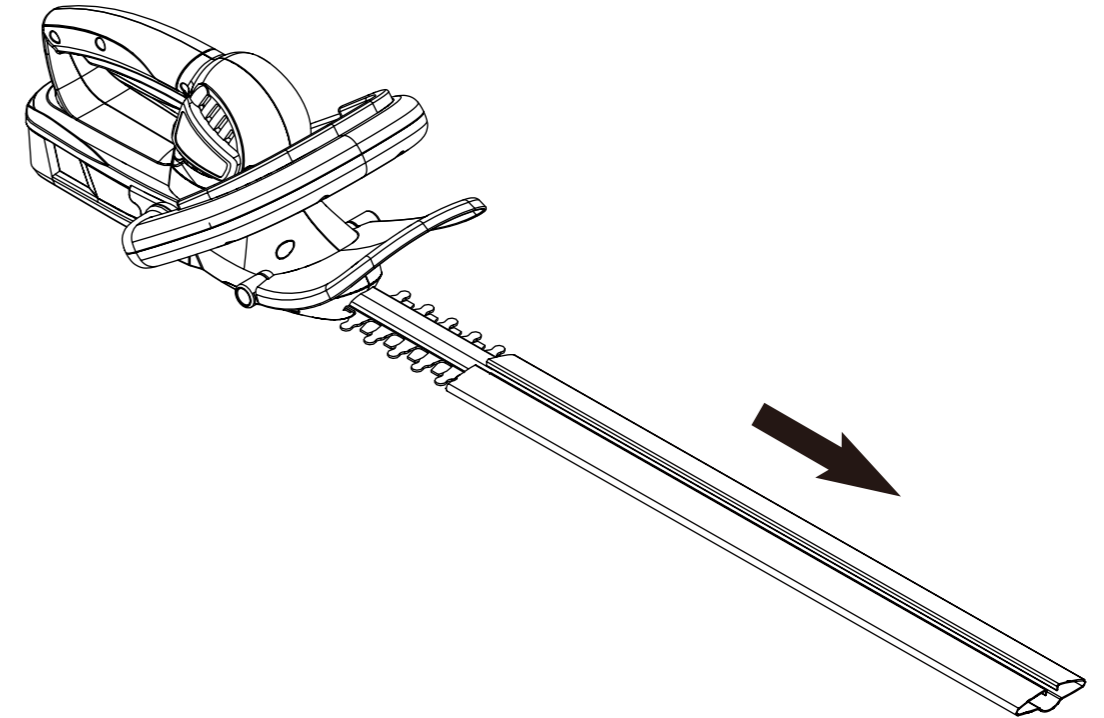
## Preparing to Operate the Hedge Trimmer

### Step 1 - Removing the blade sheath



**WARNING!** Always wear safety gloves when doing any work on the hedge trimmer.

**WARNING!** Always disconnect the the battery pack from the tool before doing any work on the hedge trimmer.

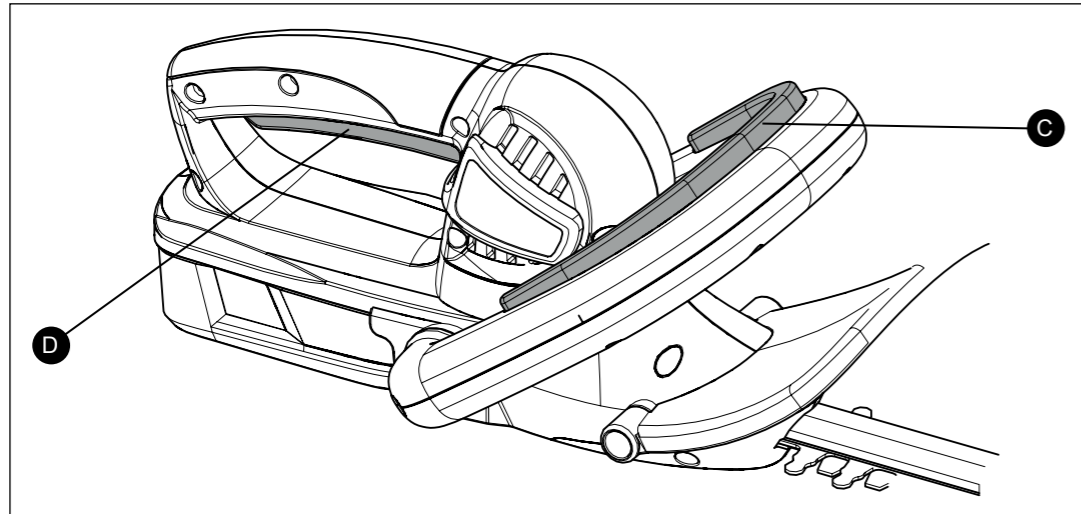


Remove the blade sheath from the blade of appliance carefully .

# Operating the Hedge Trimmer

## Step 1 - Switch on /off

**NOTE** **NOTE!** For your safety, this tool is equipped with a double switch system. This system prevents starting the tool inadvertently. You must push the front handle switch (C), and then press the On/off switch (D).



### Switching on

- Push the front handle switch (C).
- Press the On/off switch (D)

### Switching off

- Release both front handle switch (C) and On/off switch (D).

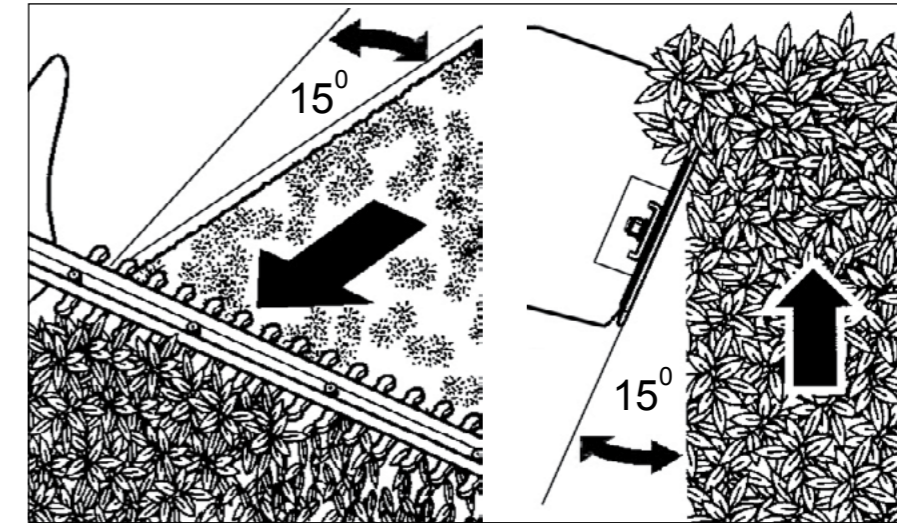
**NOTE** **NOTE!** Never attempt to lock the switch in the “on” position.

# Operating the Hedge Trimmer

## Step 2 - Cutting

**WARNING !** Cut and remove branches DO NOT exceeding the cutting capacity of this product .

With its unique design the trimmer can be used to trim and shape hard to reach areas of hedges and bushes such as those shown in figure below .



**WARNING !** Before using this hedge trimmer, make sure that you have read all of the safety instructions.

1. When trimming, the blade should be tilted towards the hedge. Always trim from the bottom upwards.
2. Trim the sides of the hedge first and then trim the top.
3. If the branches are very long, they should be cut back in several stages.
4. Make sure that there are no hard objects in the hedge, such as railings, that could damage the blade.
5. If the blade becomes jammed, switch off and disconnect the battery pack before clearing the obstruction.
6. Do not force the hedge trimmer to cut over sized branches. These should be cut by hand using secateurs or shears.

# Maintenance and Repair

## Maintenance and Repair



**WARNING!** Always switch the product off, disconnect it from the battery pack and let the product cool down before performing inspection, maintenance and cleaning work!

## General

- 1). Clean the product with a slightly damp cloth and pH-neutral soap. Use a brush for areas that are hard to reach.
- 2). In particular clean the air vents after every use with a cloth and brush.
- 3). Remove stubborn dirt with high pressure air (max. 3 bar).
- 4). Check for worn or damaged parts. Replace worn parts as necessary or contact an authorised service centre for repair before using the product again.
- 5). Regularly check for obvious defects such as loose, dislodged or damaged cutting device, loose fixings and worn or damaged components.
- 6). Check that covers and guards are undamaged and correctly fitted. Carry out necessary maintenance or repairs before using the product.
- 7). This product does not contain any parts that can be repaired by the consumer. Contact a qualified specialist to have it checked and repaired.

## Cutting Device



**WARNING!** Wear safety gloves when working on the cutting device and close to it! Use appropriate tools to remove debris e.g. a brush or wooden stick! Never use your bare hands!

- 1). Keep the cutting blade clean and free of debris. Remove trimmings.
- 2). Apply a small amount of suitable lubricant along the edge of the cutting device to retain a good cutting performance.
- 3). Keep the cutting blade sharp. Have a worn or damaged cutting device replaced with a new one of the same type by a qualified specialist.

# Storage and Transportation

## Storage

- 1). Clean the product as described above.
- 2). Attach the blade cover.
- 3). Store the product and its accessories in a dark, dry, frost-free, well-ventilated place.
- 4). Always store the product in a place that is inaccessible to children. The ideal storage temperature is between 10 and 30°C.
- 5). We recommend using the original package for storage or covering the product with a suitable cloth or enclosure to protect it against dust.
- 6). To prolong battery life, recommend to charge the battery every 2 months, which over extended periods of time without use.

# Storing and Transportation

## Transportation

- 1). Switch the product off and disconnect it from battery pack before transporting it anywhere.
- 2). Attach the blade cover.
- 3). Always carry the product on its gripping surfaces.
- 4). Protect the product from any heavy impact or strong vibrations which may occur during transportation in vehicles.

# Troubleshooting

## General Troubleshooting



**WARNING!** Only perform the steps described within these instructions! All further inspection, maintenance and repair work must be performed by an authorised service centre or a similarly qualified specialist if you cannot solve the problem yourself!

Suspected malfunctions, disturbances or damages are often due to causes that the user can fix themselves. Therefore check the product using this section. In most cases the problem can be solved quickly.

Fault	Possible Cause	Solution
Product does not start	1. Not connected to battery pack 2. Power connection is loosen 3. Battery pack is lack of power 4. Battery too hot/too cold	1. Connect to battery pack 2. Connect the battery pack and tool well 3. Fully charge the battery pack 4. Allow battery to cool down / warm up battery slowly at a temperature of 15°C-25°C
Product does not reach full power	1. Battery pack has too low voltage 2. Air vents are blocked	1. Charge the battery pack to full power 2. Clear the air vents
Unsatisfying result	1. Cutting device worn 2. Electrical malfunction 3. Fault in battery	1. Have a specialist to replace it 2. Have a specialist to replace it 3. Have a specialist to replace it

# Technical Data

## Appliance

Voltage.....	18V DC
Blade length.....	510 mm
Cutting length.....	450mm
Blade gap.....	16mm
Battery type.....	Li-ion
Battery capacity.....	1.5Ah
Battery charging time.....	1 hour
Measured sound pressure level .....	79dB (A), k=3 dB (A)
Measured sound power level.....	87.8dB (A), k=3dB (A)
Guaranteed sound power level .....	90dB (A)
Vibration.....	2.3 m/s <sup>2</sup> , k=1.5 m/s <sup>2</sup>

The declared vibration value has been measured in accordance with a standard test method and may be used for comparing one tool with another. The declared vibration value may also be used in a preliminary assessment of exposure.

**WARNING!** The vibration emission value during actual use of the tool can differ from the declared value depending on the ways in which the tool is used. Identify safety measures to protect the operator that are based on an estimation of exposure in the actual conditions of use (taking account of all parts of the operating cycle such as the times when the tool is switched off and when it is running idle in addition to the trigger time).

The sound intensity level for the operator may exceed 85dB(A) and ear protection measures are necessary.

# Recycling and Disposal

## Disposal Instructions

1. Recycle unwanted materials instead of disposing of them as waste. All tools, hoses and packaging should be sorted, taken to the local recycling centre and disposed of in an environmentally safe way.
2. Recycle rather than dispose of unwanted material in landfill whenever possible. The machine must be delivered in rigid packaging to avoid damage during transportation. The packaging and the machine itself are manufactured from recyclable materials and should be disposed of accordingly.
3. Do not throw your clippings into a rubbish bin where it will be disposed of in landfill. You can dispose of clippings on your compost heap, alternating then with other garden material. The more thoroughly you chop the clippings beforehand, the more rapidly they will degrade. Alternatively, many communities provide a public collection point where you can dispose of your garden waste in an environmentally friendly manner.
4. Only dispose of electrical/electronic/battery items in separate collection schemes, which cater for the recovery and recycling of materials contained within. Your cooperation is vital to ensure the success of these schemes and for the protection of the environment.
5. Recycle packaging where facilities exist.



6. This symbol is known as the Crossedout Wheellie Bin Symbol. When this symbol is marked on a product or battery, it means that it should not be disposed of with your general household waste. Some chemicals contained within electrical/electronic products or batteries can be harmful to health.

# Guarantee

Dear Customer,

In the unlikely event that your device develops a fault, please contact our Customer service department on the telephone number shown below.

1. These guarantee terms cover additional guarantee rights and do not affect your statutory warranty rights.

Claims must be accompanied by Proof of Purchase. This must be in the form of a Sales receipt or Bank statement and must show that the product has been purchased within 2 years prior to the claim, from the retailer that it was originally sold to.

2. Our guarantee covers problems caused by material or manufacturing defects, and will result in the repair of these defects or replacement of the device with a like for like or similar article. Please note that our devices have not been designed for use in commercial, trade or industrial applications. Consequently, the guarantee is invalidated if the equipment is used in commercial, trade or industrial applications or for other equivalent activities.

3. The following are also excluded from our guarantee:

- A) Faults due to accidents, customer misuse, or unauthorized repairs
- B) Consumable Parts such as Blades
- C) Failure due to lack of routine maintenance
- D) Failure as a result of not using the equipment in accordance with the manual and safety instructions
- E) The adjustment of cables, drive belts, or recoil starters

4. The guarantee is valid for a period of 2 years starting from the purchase date of the device. Guarantee claims should be submitted before the end of the guarantee period within two weeks of the defect being noticed. No guarantee claims will be accepted after the end of the guarantee period. The original guarantee period remains applicable to the device even if repairs are carried out or parts are replaced. In such cases, the work performed or parts fitted will not result in an extension of the guarantee period, and no new guarantee will become active for the work performed or parts fitted. This also applies when an on-site Service is used.

5. Please keep your sales receipt in a safe place. If the defect is covered by our guarantee your device will either be repaired under the terms of guarantee or we will send you a replacement device. This device may be re-conditioned or Like for like replacement.

# Declaration of Conformity



**EC Declaration of Conformity**

Year of 1st Issue . **13**

**Homebase Ltd**

489-499 Avebury Boulevard  
Saxon Gate West  
Milton Keynes  
Buckinghamshire  
MK9 2NW

We hereby certify that the product stipulated above complies with all the relevant provisions of the following EC new approach directive/s.

**This declaration of conformity is issued under the sole responsibility of the manufacturer**

Type of Product: **18V Li-ion hedge trimmer**

Model Number: **SHT19**

Cat / Article Number: **206662**

Product Description: **18V DC, 1500 mAh Li-ion battery pack, cutting length: 450mm, Charger: input 230-240V 50/60Hz, Output 21V DC, 2A, This hedge trimmer is included in a twin package.**

Photograph:



Applicable EC Directives		
--------------------------	--	--

<input checked="" type="checkbox"/> 2006/42/EC (MD)	<input checked="" type="checkbox"/> 2004/108/EC (EMC)	<input type="checkbox"/> 1999/5/EC (R&TTE)
<input checked="" type="checkbox"/> 2006/95/EC (LVD)	<input checked="" type="checkbox"/> 2009/105/EC (Pressure)	<input checked="" type="checkbox"/> 2000/14/EC Annex , 2005/88/EC
<input type="checkbox"/> 2009/125/EC (ErP)	<input type="checkbox"/> 2009/48/EC (Toys)	<input type="checkbox"/> L <sub>WA</sub> = 90dB(A), L <sub>PA</sub> = 79dB(A), K=3dB(A)
<input type="checkbox"/> 2009/142/EC (Gas)	<input type="checkbox"/> 89/106/EEC (Construction)	<input checked="" type="checkbox"/> 2011/65 /EU (RoHS)

Applicable Harmonized Standards:	Report Date	Verification of conformity Certificate	Notified Body
EN 60745-2-15:2009+A1:2010 EN 60745-1:2009+A11:2010 EK9-BE-77	21 May 2013	CE	0359
EN 55014-1: 2006+A1: 2009+A2: 2011 EN 55014-2: 1997/+A1: 2001+A2: 2008	27 May 2013	EMC	0359
EN 61000-3-2:2006/+A1:2009/+A2:2009 EN 61000-3-3:2008	23 May 2013	EMC	0359
EN 60335-2-29:2004+A2:2010 EN60335-1: 2012 EN 62233:2008	10 May 2013	CE	0359

Issued number: 1

Issued on : 2013-05-28

Signed :

Creator: Max Shi

Name : Lake Wang

Position: QA

Positin: Technical Manager

**The associated technical file for this product can be found within Homebase Ltd idocument system**