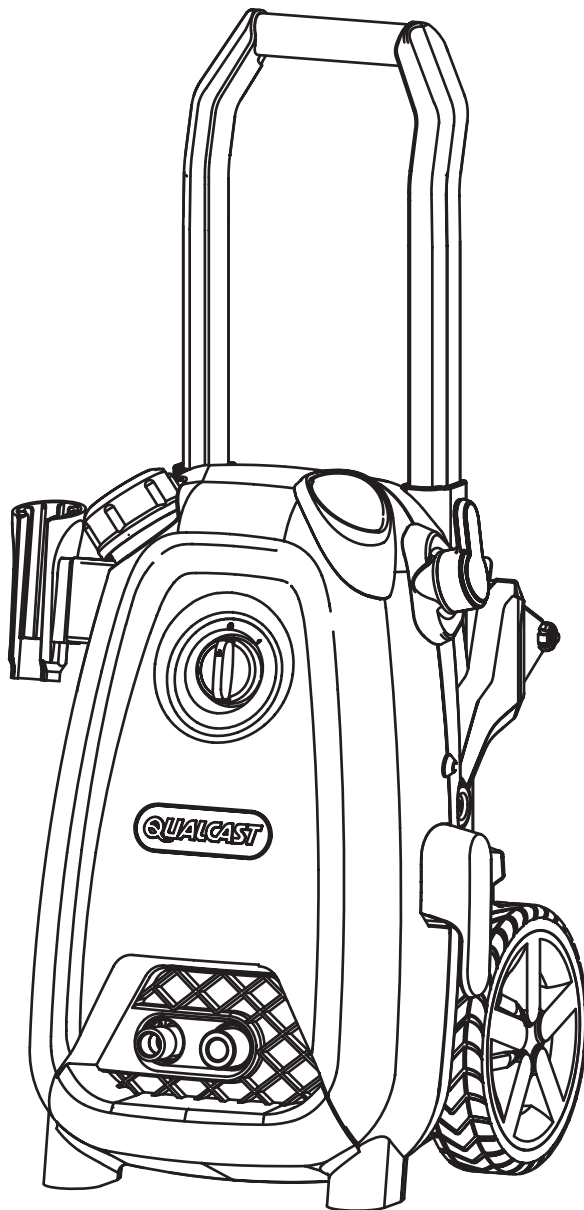


Qualcast 1900W High Pressure Washer

Original instruction manual

Q1W-SP16-1900



Scan to watch
our new
instruction
videos!

The Qualcast logo, featuring the word "QUALCAST" in a bold, white, sans-serif font, set against a dark green, rounded rectangular background.

Important –Please read these instructions fully before operating or maintaining your pressure washer.

These instructions contain important information that will help you get the best from your pressure washer, ensuring it is assembled correctly and safely.

June 2015 Rev A

Contents

Safety Information.....	3
Warning Symbols	3
General Safety.....	4
Personal Safety.....	4
Operating Safety.....	6
Maintenance and Storage Safety.....	7
Intended Use.....	7
Service.....	7
In the Box	8
Assemble the Pressure Washer.....	9
Preparing to Operate the Pressure washer.....	10
Operating the Pressure Washer.....	13
Maintenance and Repair.....	17
Storage and Transportation.....	17
Troubleshooting.....	18
Technical Data.....	19
Recycling and Disposal.....	19
Plug Replacement.....	20
Getting Help.....	21
Guarantee.....	22



Safety Information

Important - Please read these instructions fully before operating or maintaining

Warning Symbols

The following warning symbols appear through this manual and indicate the appropriate safety measures you should take when operating and maintaining the pressure washer.



Warning



Read the instruction manual



Conforms to all relevant safety standards.



Wear eye and ear protections.



Disconnect the mains plug immediately if the cable is damaged, has been badly twisted or is completely cut through and in the event that the device is left unattended for a short time.



WARNING: Never direct discharge stream at persons, animals, the unit or electric components.



Appliance not suitable for connection to the potable water mains.

Water that has flown through backflow preventers is considered to be non-potable.

The appliance is not intended to be connected to the potable water mains. If necessary, please use only with a water backflow preventer or inlet hose-set approved by IEC 61770.



Double insulations, Class II appliance



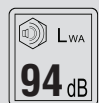
Waste Disposal and Environmental Protection!

Be environmentally friendly. Return the tool, accessories and packaging to a recycling centre when you have finished with them.



Electrical machines do not belong in domestic waste.

Take the equipment to a waste disposal site. The plastic and metal parts that are used can be separated out into pure grade, which allows recycling.



Guaranteed sound power level



Safety Information

Important - Please read these instructions fully before operating or maintaining

General Safety



IMPORTANT!

- Keep this instruction manual in a safe place for future reference.
- Read the instructions carefully. Be familiar with the controls and the proper use of the equipment.
- Never allow children or people unfamiliar with these instructions to use the pressure washer. Local regulations can restrict the age of the operator.
- Never use the machine while people, especially children, or pets are nearby. Keep in mind that the operator or user is responsible for accidents or hazards occurring to other people or their property.
- This appliance is not intended for use by persons (including children) with reduced physical, sensory or mental capabilities, or lack of experience and knowledge, unless they have been given supervision or instruction concerning use of the appliance by a person responsible for their safety.
- Don't use the appliance without reading the instruction sheet.
- Children should be supervised to ensure that they do not play with the appliance.

Personal Safety



WARNING!

- Risk of fatal injury!
Use special care when cleaning tyres. Vehicle tyres/tyre valves may become damaged or burst when handled improperly. First signs of damage included discolorations on the tyre. Damaged vehicle tyres/tyre valves pose a life-threatening risk. Keep the jet at a distance of at least 30 cm!
- Never direct the jet against yourself or others in order to clean clothes or footwear.
- The appliance is not designed for connecting to tap water. If necessary, please use only with a water backflow preventer or inlet hose-set approved by IEC 61770.
- Risk of injection or injury, do not direct discharge stream at persons.
- Do not use the appliance when there are other people around, unless they are also wearing safety equipment.



Safety Information

Important - Please read these instructions fully before operating or maintaining

Personal Safety (continued)

- High-pressure jets can be dangerous if misused. The jet must not be directed at persons, animals, electrical equipment or the appliance itself.
- Know how to stop the product and bleed pressure quickly, be thoroughly familiar with the controls.
- Stay alert - watch what you are doing.
- Do not operate the product when fatigued or under the influence of alcohol or drugs.
- Keep operating area clear of all persons.
- Do not overreach or stand on unstable support. Keep good footing and balance at all times.
- Always wear protective clothing and safety glasses. Loose particles and other debris may be propelled at high speed by the water jet. Wear ear protectors.
- The operator or user is responsible for accidents or damages to other people or their property.

Operating Safety



WARNING!

- High-pressure hose fittings and couplings are important for the safety of the appliance. Use only hose fitting and couplings recommended by the manufacturer.
- Inadequate extension cables can be dangerous.
- The electrical supply connection shall be made by a qualified electrician can comply with IEC60364-1
- The electric supply connection shall be made by a qualified electrician and comply with IEC 60364-1. It is recommended that the electric supply to this machine should include either a residual current device that will interrupt the supply if the leakage current to earth exceeds 30 mA for 30 ms or a device that will prove the earth circuit.
- Disconnect from the electrical power supply before carrying out user maintenance.
- Don't use the appliance if a supply cables or important parts of the appliance are damaged, e.g. safety devices, high-pressure hoses, trigger gun.
- If extension cable is used, the plug and socket outlet must be of a watertight construction.
- If the supply cord is damaged, it must be replaced by the manufacturer or its service agent or a similarly qualified person in order to avoid a hazard.



Safety Information

Important - Please read these instructions fully before operating or maintaining

Operating Safety (continued)

- Water that has flown through backflow preventers is considered to be non-potable.
- The PVC or polychloroprene sheathed power cord, or extension cables (H05VV-F) are acceptable for use at temperatures at or above 0 °C.
- Always ensure that a machine which has been switched off and cannot be restarted unintentionally.
- Only use hoses, fittings and couplings supplied and recommended by the manufacturer.
- Never carry the equipment by the cable or the hose. Do not carry the equipment with your finger on the On/Off switch when it is connected to the mains.
- Remove the plug from the plug socket if you are not using the equipment, when transporting it or when it is left unattended, when checking the equipment, cleaning it or removing blockages, when undertaking maintenance work or changing accessories, if the power or extension cable is damaged, after contact with foreign bodies, or in the event of abnormal vibration.
- Do not use the equipment near flammable liquids or gases. In case of non-observance, there is a risk of fire or explosion.
- Do not use the pressure washer if a supply cord, safety devices, hoses, switch or trigger gun is damaged.
- If an extension cord is used, the plug and socket must be of watertight construction. Inadequate extension cords can be dangerous.
- Ensure that the mains voltage matches the information on the label.
- Before each use, check the equipment, power cable and plug for damage, avoiding an electrical shock.
- Damaged cables, coupling and plugs or connecting leads that are not compliant with specifications are not to be used. Remove the plug from the plug socket immediately in case of damage or cutting through of the mains cable.
- Do not use the equipment when the switching action of the On/Off switch is impaired. Have damaged switches replaced at our Service Centre.
- Do not overload your equipment. Work only within the indicated range of performance. For heavy work, do not use a machine with insufficient power. Do not use your equipment for purposes other than those specified.



Safety Information

Important - Please read these instructions fully before operating or maintaining

Maintenance and Storage Safety



WARNING!

- To ensure the appliance safety, use only original spare parts from the manufacturer or approved by the manufacturer.
- Retrofitting or making any unauthorized changes to the machine, as well as the use of unapproved parts will invalidate your warranty.
- Do not attempt to repair the equipment yourself. All work not indicated in these instructions is to be carried out only by service stations authorized by us.
- Store the equipment in a dry location and out of reach of children.
- Handle the equipment with care. Keep the equipment clean for save and more efficient working. Follow the maintenance directions.
- Machine may be damaged by frost.
There is always residual water left inside the high-pressure washer and in the pump. Do not store the machine at temperatures below freezing point in order to avoid frost damage.

Intended Use

This high-pressure cleaner is designed for domestic use only:

- to clean machines, vehicles, buildings, tools, facades, terraces, garden equipment etc. using a high-pressure water jet (and detergents if required).
 - to use with accessories, replacement parts and detergents approved by Qualcast.
- Observe the instructions provided with these detergents.

Any use of the machine that deviates from its intended use and is not included in these instructions is considered unauthorized use and relieves the manufacturer from his or her legal liability.

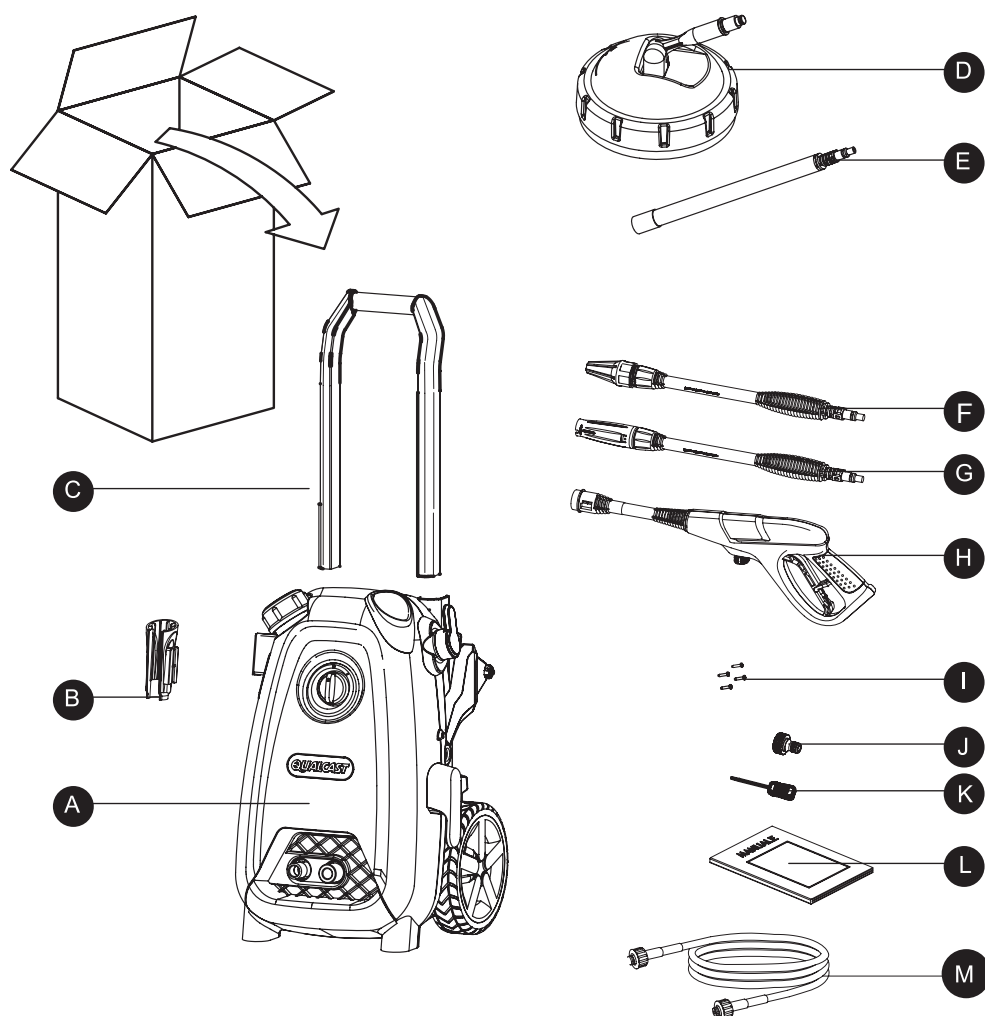
Service

Have your tool repaired by an authorized service agent. This tool is manufactured in accordance with the relevant safety regulations. To avoid danger, electrical appliances must only be repaired by qualified technicians. Call our customer helpline at 01904 727500 for advice.

In the Box

Parts

- | | | |
|---|-------------------------------------|-----------------------------|
| A high pressure washer | G spray lance | M high pressure hose |
| B gun storage | H trigger gun | |
| C handle | I screws 4pcs | |
| D patio cleaner | J water inlet male connector | |
| E extend lance for patio cleaner | K nozzle pin | |
| F spiral spray lance | L manual | |



If there are any parts missing, please call the customer helpline on 01904 727500

Assemble the Pressure Washer

Preparing to assemble the pressure washer



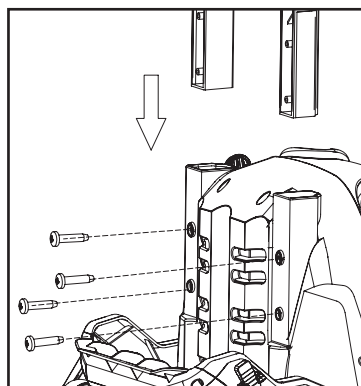
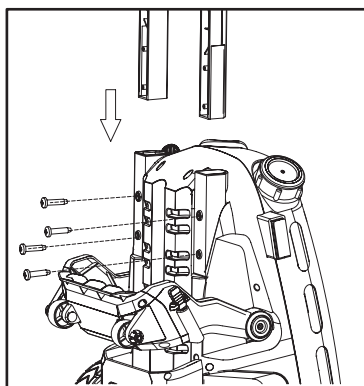
IMPORTANT!

- Remove all parts of the pressure washer from the box and carefully remove all packaging. Take care not to lose any instructions which may be affixed to the parts. These provide important information which will be required while attached the pressure washer.

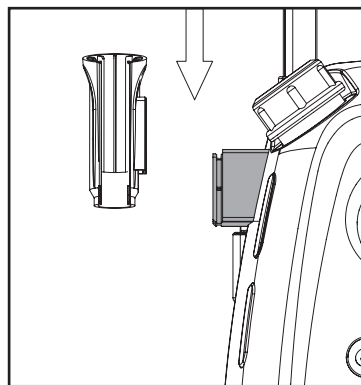
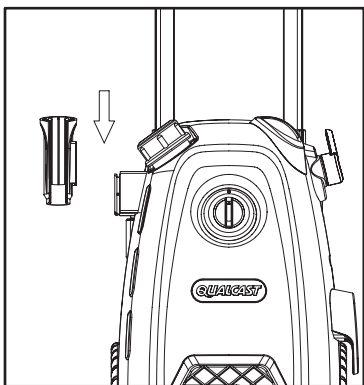
- Keep all packaging until the pressure washer is fully assembled and has been operated successfully.

- Always recycle the packaging in accordance with local recycling schemes.

Step 1 - Assemble the tool



1. Remove package material from the box.
2. Fix the handle onto the machine by firstly inserting the handle into the two pockets on the top of the machine. Then with the 4 screws secure the handle in place.



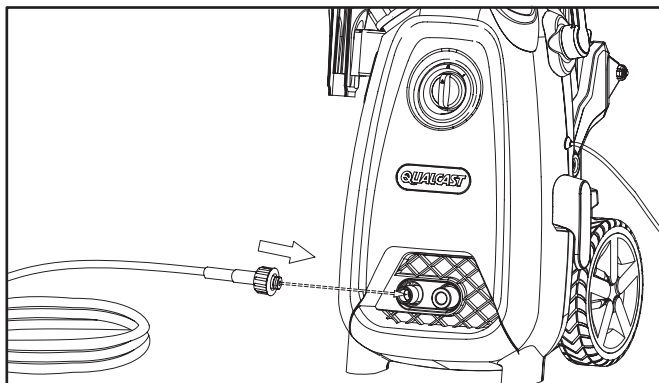
Fix the gun storage on to the side of the machine.

Preparing to Operate the Pressure Washer

Step 1 - Fit the high pressure hose to the washer

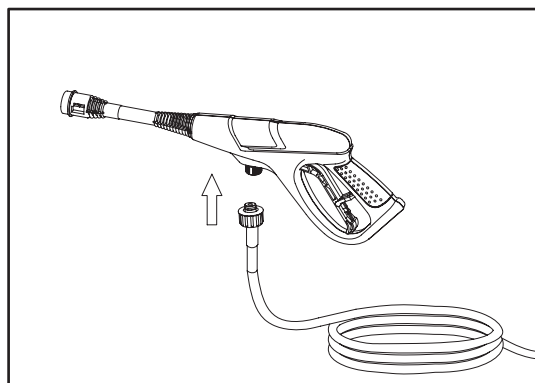


WARNING! Always wear safety gloves when doing any work on the pressure washer.



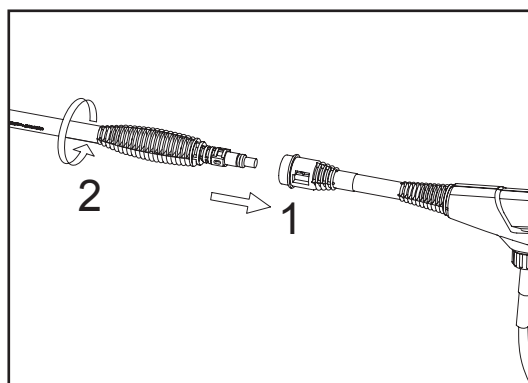
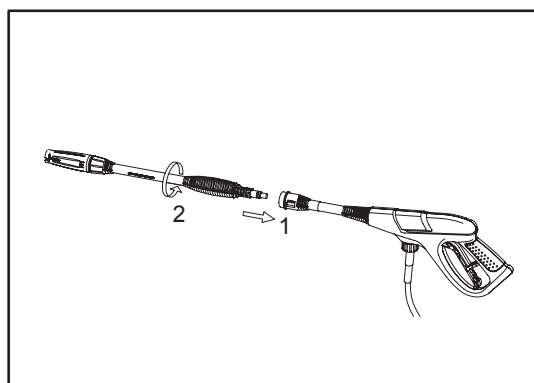
Remove the plastic cover and then connect the high pressure hose to the pressure washer. Attach high pressure hose to the machine's water outlet (hand tighten only).

Step 2 - Fit the trigger gun to the high pressure hose



Connect the hose and trigger gun. Screw the high pressure hose firmly onto the spray gun.

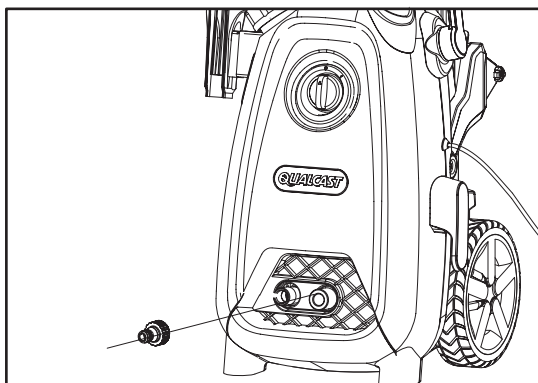
Step 3 - Fit the lance to spray gun



Insert the spray lance into spray gun, and twist 1/4 turn to lock in position. Check that it is firmly securely located in place.

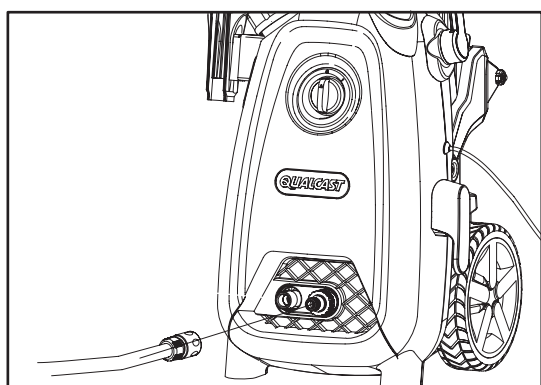
Preparing to Operate the Pressure Washer

Step 4 - Assemble inlet adapter.



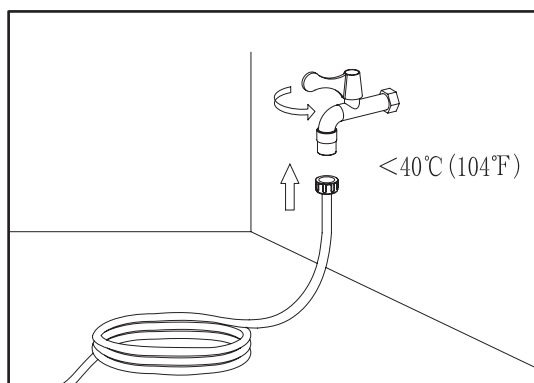
Attach the inlet adapter to the machine's water inlet. Hand tighten only.

Step 5 - Connect garden hose and inlet adapter.



Before you attach your water hose (not included), run the water through to eliminate any air in the hose to avoid air locking. Attach the hose with a quick connect coupling (not included) to the high pressure washer.

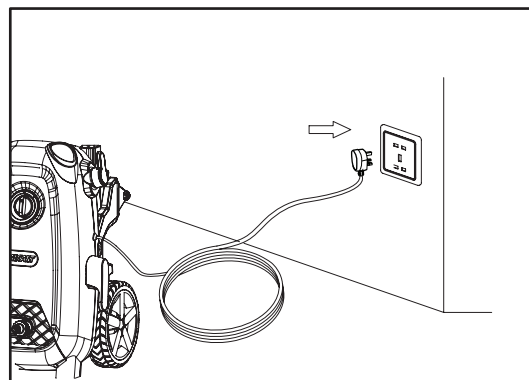
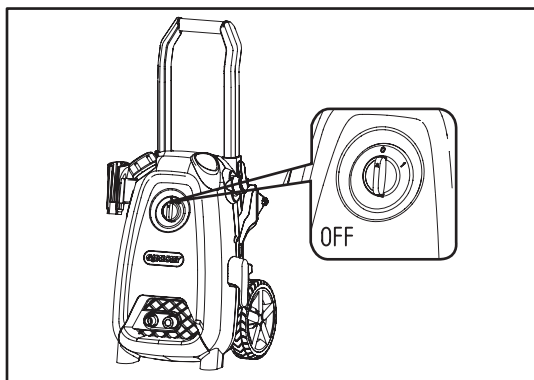
Step 6 - Connect garden hose and water supply.



Attach garden hose to water supply and turn water on.

Preparing to Operate the Pressure Washer

Step 7 - Connect socket



Make sure the ON/OFF switch is in the OFF position and your hands and plug are dry. Connect the plug to the mains socket.

Note! We Recommend the use of a RCD Safety protection plug.

Operate the Pressure Washer

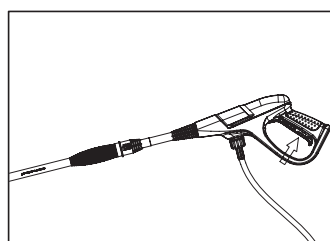
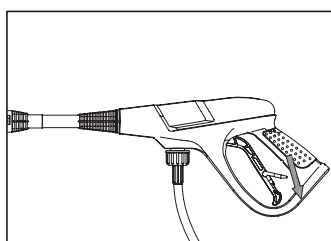
Step 1 - Starting



WARNING!

Wear suitable clothing, ears and eyes protecting when working with the equipment. Ensure that the equipment is functional before each use. Ensure that the mains voltage value matches the label on the equipment. Check the safe condition of the machine:

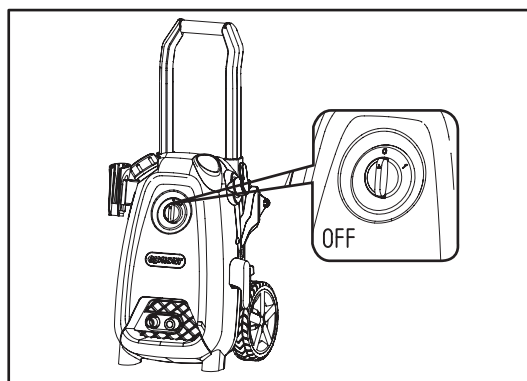
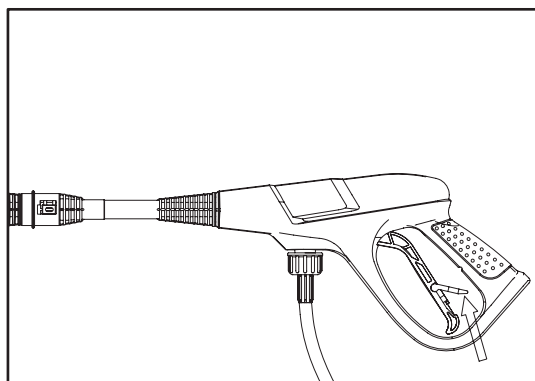
- Check it for visual defects.
- Check that all parts of the machine have been securely fitted.
- Check if the water connector and the high-pressure pipes are tight.



1. Place the high pressure washer on level ground. Stand in a secure and stable position.
2. Unlock the safety trigger on the spray gun, and press the trigger until there is a steady stream of water.
3. To switch the machine on, set the On/Off switch to ON.

Operate the Pressure Washer

Step 2 - Stopping



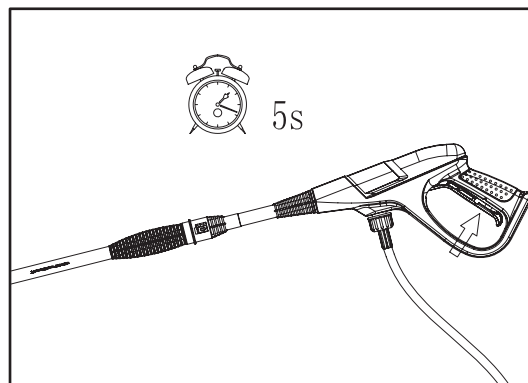
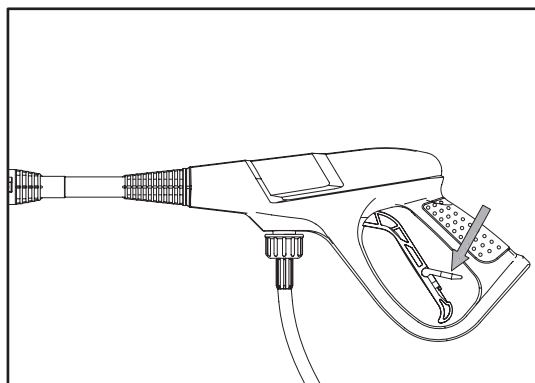
1. Release the trigger, and replace the safety lock.
2. To switch the machine off, set the On/Off switch to OFF.

Step 3 – Use the high pressure lance



WARNING!

- Always turn off the machine when changing the high pressure lance.-The trigger gun is subjected to a recoil force when the water jet is discharged. Make sure that you have a firm footing and are also holding the trigger gun and spray lance with both hands.



1. Hold the hand-held spray lance and the jet tube firmly with both hands. Be aware of the recoil when switching on the high-pressure jet.
2. Unlock the safety button and press the trigger on the handheld spray lance. It takes approximately 5 seconds to release the high pressure.



NOTE!

- Clogging of the spray tips causes the pump pressure to be too high and cleaning is immediately required. You can clean the spray tips by carefully inserting a using the supplied cleaning pin into the tip to remove deposits.

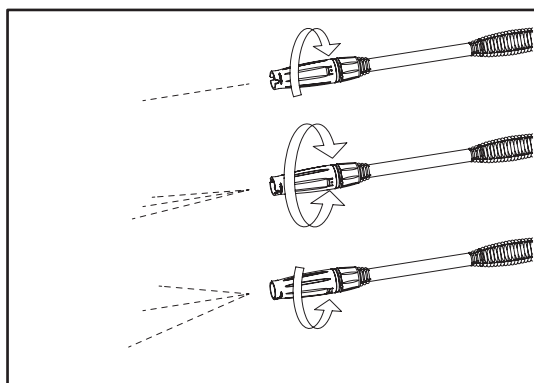
Operate the Pressure Washer

Step 3 – Use the high pressure lance (continued)



CAUTION!

- Jet spray adjustment is very aggressive. Do not adjust while spraying. Switch the machine off when interrupting your work for extended periods of time.
- The high-pressure pump starts running as soon as you operate the hand-held spray gun. The high-pressure pump stops running as soon as you release the trigger on the hand-held spray gun.



3. Use with adjustable spray lance, 180 degree rotation of the nozzle. It takes a couple of seconds for the spray to adjust to setting

The trigger gun safety lock prevents the trigger from being engaged accidentally and ensures the trigger gun cannot be locked in the ON position.

Without turning the gun, adjust the spray to desired angle by turning the nozzle with 180° marking as shown.

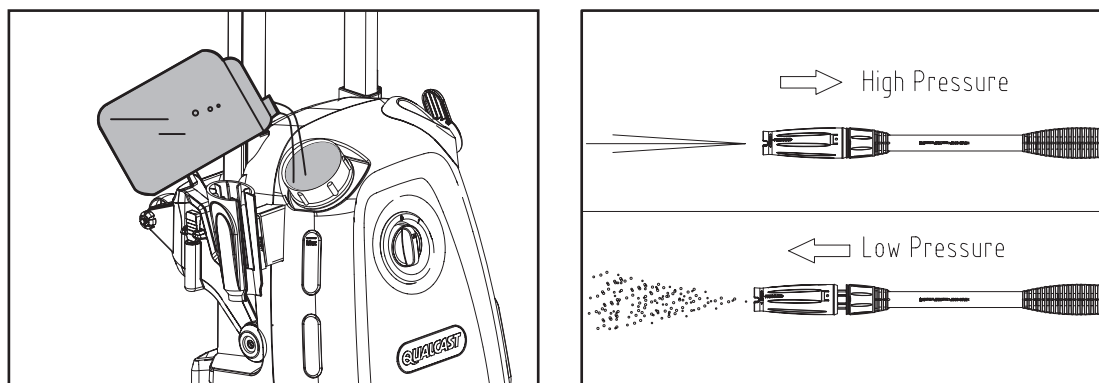
Operate the Pressure Washer

Step 4 – Use the detergent bottle



WARNING!

In case of contact with detergents: rinse with an abundance of clean water
Always turn off the machine when changing the detergent bottle.



1. Unscrew the bottle cap of the detergent bottle. Fill the detergent tank with the relevant suppliers diluted recommended mixture level.
2. Pull the spray lance head out to get low pressure.
3. Turn on the pressure washer. Pull trigger to operate unit. The liquid detergent will automatically mix with water, and be discharged through the nozzle. Apply detergent to a DRY work surface, from bottom to top.
3. Rinse with clean water under high pressure (see top visual). On a vertical surface, rinse from the bottom up, and then rinse from the top down to avoid streaking. Hold nozzle 6-8" (15-20 cm) from the work surface at a 45° angle.



NOTE:

- Allow detergent to remain on the surface for a short time before rinsing. Do not allow detergent to dry on surface

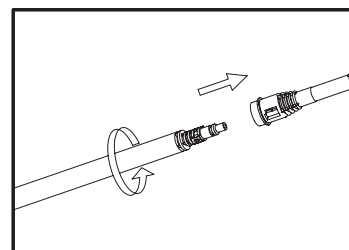
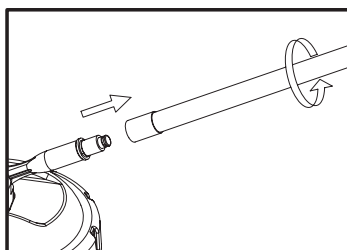
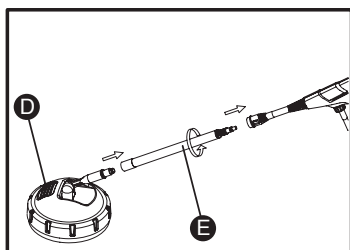
- Before you change the type of detergent for another job, fill detergent tank with clean water. Pull the trigger on the lance at low pressure for one minute until all all detergent is flushed through the system.

Operate the Pressure Washer

Step 5 - Use the patio cleaner

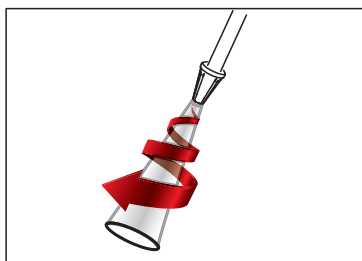
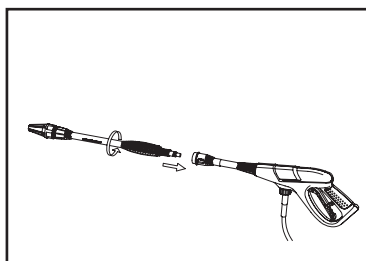


WARNING! Always turn off machine when changing the patio cleaner



1. Fit the patio cleaner (D) with the extended lance (E) to the trigger gun.
2. Turn on the pressure washer. Pull trigger to operate unit.
3. Move the patio cleaner in a side to side swinging movement, avoiding a front to back brushing motion.

Step 6 - Use the spiral spray lance



Spiral spray lance can protect painted wood and UPVC surfaces as the water continuously rotates resulting in a lower impact on the surface.

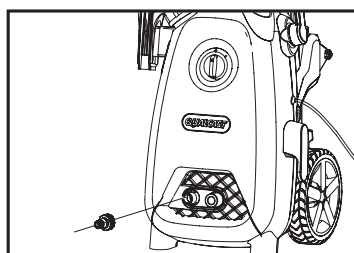
1. Fix the turbo lance to the trigger gun.
2. Turn on the pressure washer. Pull trigger to operate unit.

Maintenance and Repair

Maintenance and Repair



WARNING! Always switch the product off, unplug from the power socket and let the product cool down before performing inspection, maintenance and cleaning work!



Maintenance and Repair

Maintenance and Repair(continued)

- After every use wipe the machine with a slight damp cloth. Do not clean the machine using a high-pressure water jet.
- Clean the high-pressure jet nozzle.

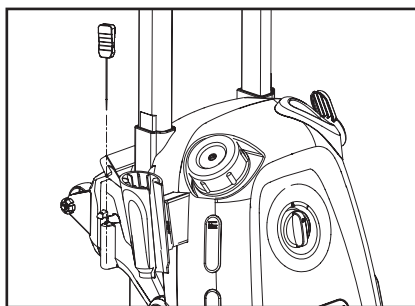
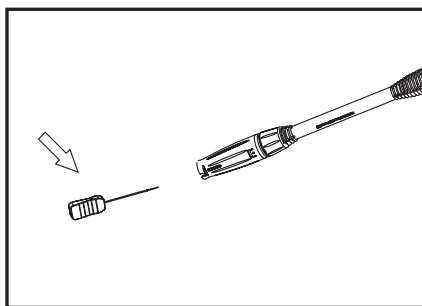
The pressure washer is equipped with a water filter to protect the pump. If the filter is not kept clean, the water flow to the machine will be restricted and the pump may be damaged.

To clean water filter, remove inlet adapter and get the filter out.

- Rinse filter until it is free of debris and blockage.
- Replace the filter and inlet adapter.

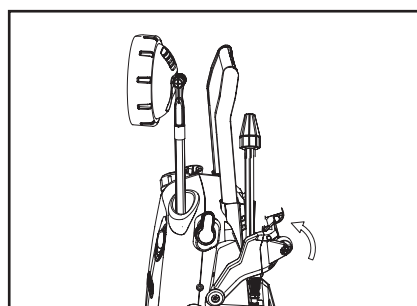
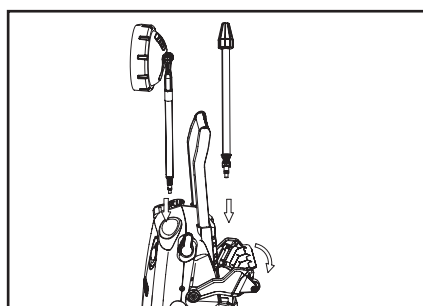
Storing and Transportation

Clearing of the Lime scale



From periods of time, water lime scale may build up on your lance outlet, use the Nozzle cleaning pin to clean this away.

Storing



Accessories can be stored on the back of the machine where the specially designed SnapShut mechanism will keep them in place, even when you are on the move.

Frost can damage your pressure washer that has not been completely emptied of water. The machine should be stored in a frost free room. Do not kink high pressure hose.

Troubleshooting

General Troubleshooting



WARNING!

- Only perform the steps described within these instructions!

All further inspection, maintenance and repair work must be performed by an authorised service centre or a similarly qualified specialist if you cannot solve the problem yourself!

- Always turn off the machine and remove the plug before making any adjustment.

Problem	Possible cause	Solution
1. No power	<ul style="list-style-type: none">- Check the plug socket, cable, line and plug.- Any of the parts are defective, such as On/Off switch / motor etc. (please contact service agent).	<ul style="list-style-type: none">- Connect to mains socket.- Check by a specialist electrician
2. The high pressure washer operates intermittently.	<ul style="list-style-type: none">- Power cable is damaged.- Internal loose electrical connection.- On/Off switch defective (please contact service agent).	<ul style="list-style-type: none">- Check by a specialist electrician
3. No or only little pressure is built up.	<ul style="list-style-type: none">- Check if there is any air in the system.- Check all inlet pipes leading to the pump for leaks or the hose is blocked or there is a kink in the pipe- Check the setting on the hand-held spray gun.	<ul style="list-style-type: none">- If so, please ventilate the machine! Run the machine without the high-pressure hose connected until water starts leaking without bubbles. Re-attach the high-pressure hose.- Check by a specialist electrician- Follow the Operation part again.
4. Pressure varieties	<ul style="list-style-type: none">- Check the high pressure jet nozzle- Check the water inlet pressure.	<ul style="list-style-type: none">- If blocked, clean it with pin.
5. Machine is leaking.	Machine is leaking	Please contact the service agent.
6. Engine is running but no pressure is build up	You might have air locked in the hose.	Turn off machine, disconnect hose, run water through and connect again If the problem continues --then please contact the customer helpline
7. Patio cleaner flips over	Used on uneven surfaces	When using the patio cleaner on uneven ground avoid a brushing motion (front to back) but use a swinging movement from side to side

Technical Data

Technical Data Table

Voltage	230-240V~/ 50Hz
Input power	1900W
Max pressure	150bar
Rated pressure	100bar
Rated flow	5.5l/min
Max flow	7l/min
Inlet T _{max}	40°C
Net weight	9.5 kg
Measured sound pressure level	83dB (A), k=3 dB (A)
Measured sound power level	92dB (A), k=3 dB (A)
Guaranteed sound power level	94dB (A)
Vibration	1.5m/s ² , k=1.5m/s ²

The declared vibration value has been measured in accordance with a standard test method and may be used for comparing one tool with another. The declared vibration value may also be used in a preliminary assessment of exposure.



WARNING!

The vibration emission value during actual use of the tool can differ from the declared value depending on the ways in which the tool is used. Identify safety measures to protect the operator that are based on an estimation of exposure in the actual conditions of use (taking account of all parts of the operating cycle such as the times when the tool is switched off and when it is running idle in addition to the trigger time).

The sound intensity level for the operator may exceed 85dB(A) and ear protection measures are necessary.

Recycling and Disposal

Recycling and disposal

Recycle unwanted materials instead of disposing of them as waste. All tools, hoses and packaging should be sorted, taken to the local recycling centre and disposed of in an environmentally safe way.

Recycle rather than dispose of unwanted material in landfill whenever possible. The machine must be delivered in rigid packaging to avoid damage during transportation. The packaging and the machine itself are manufactured from recyclable materials and should be disposed of accordingly.

Only dispose of electrical/electronic/battery terms in separate collection schemes, which cater for the recovery and recycling of materials contained within. Your cooperation is vital to ensure the success of these schemes and for the protection of the environment.

Recycle packaging where facilities exist.

Recycling and Disposal

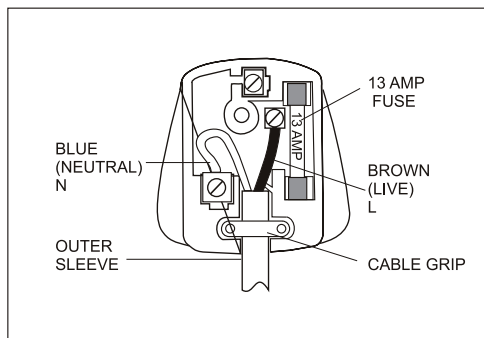
Recycling and disposal (continued)



This symbol is known as the Crossed out Wheelie Bin Symbol. When this symbol is marked on a product or battery, it means that it should not be disposed of with your general household waste. Some chemicals contained within electrical/electronic products or batteries can be harmful to health.

Plug Replacement

Plug Replacement



Your high pressure washer is fitted with a moulded plug. However If you need to replace a fitted plug then follow the instructions below.



IMPORTANT

The wires in the mains lead are coloured in accordance with the following code:

Blue - Neutral Brown – Live

As the colours of the wires in the mains lead of this appliance may not correspond with the coloured markings identifying the terminals in your plug, proceed as follows.

The wire which is coloured blue must be connected to the terminal which is marked with N

The wire which is coloured brown must be connected to the terminal which is marked with the letter L

If a 13AMP (BS1363/A) plug is used, a 13A fuse must be fitted, or if any other type of plug is used a 13AMP fuse must be fitted, either in the plug or adapter, or on the distribution board.



Note: If a moulded plug is fitted and has to be removed take great care in disposing of the plug and severed cable, it must be destroyed to prevent engaging into a socket. If the supply cord is damaged it must be replaced by a service agent or a similarly qualified person in order to avoid hazard.

Plug Replacement

Plug Replacement (continued)



CABLES IMPORTANT

- Use only 1.00mm² size cable up to 40 metres length maximum.
Maximum rating: 1.00mm² size cable, 10 amps 250 volts AC.
 - YOUR HIGH PRESSURE WAHSER IS SUPPLIED WITH CABLE WIRED DIRECTLY INTO THE PRODUCT.
1. Mains Cables and Extension Cables are available from your local Approved Service Centre.
 2. Do not wire an extension cable directly to your product yourself. Please contact your local Approved Service Centre for further information on the connectors and kits available.
 3. Only use extension cables specifically designed for outdoor use.



CONNECTORS IMPORTANT

- Connectors are suitable for use with 2 core cable only. Under no circumstances should these connectors be used for earthed products.
- All connectors and cables are of splash proof construction. They are not waterproof and must not be left outside permanently nor should they be submerged or immersed in water. Do not let cable lay or trail through pools of water or splashed with water from hose pipes.



MAINS PLUG REPLACEMENT IMPORTANT

- If the plug supplied is cut off it should be destroyed.
There is an electric shock hazard if a cut off plug is inserted into a 13 amp socket.

Getting Help

Customer Helpline 01904 727500

Our dedicated UK based customer helpline is open 7 days a week to assist you with assembly, parts queries and technical support. We are open during office hours but you can always send an email via support@gardenservicecentre.co.uk. Our experts are here to get you back enjoying your garden in no time.

For useful assembly, starting and maintenance videos and ordering spares please visit www.gardenservicecentre.co.uk.

Calling our service does not affect your statutory rights.

UK/Ireland 01904 727500
Monday to Friday 9am – 5pm Saturday & Sunday 11am – 4pm
www.gardenservicecentre.co.uk
email: support@gardenservicecentre.co.uk

Guarantee

Dear Customer,

In the unlikely event that your device develops a fault, please contact our Customer service department on the telephone number shown below.

1. These guarantee terms cover additional guarantee rights and do not affect your statutory warranty rights. Claims must be accompanied by Proof of Purchase. This must be in the form of a Sales receipt or Bank statement and must show that the product has been purchased within 2 years prior to the claim, from the retailer that it was originally sold to.

2. Our guarantee covers problems caused by material or manufacturing defects, and will result in the repair of these defects or replacement of the device with a like for like or similar article. Please note that our devices have not been designed for use in commercial, trade or industrial applications. Consequently, the guarantee is invalidated if the equipment is used in commercial, trade or industrial applications or for other equivalent activities.

3. The following are also excluded from our guarantee :

- A. Faults due to accidents, customer misuse or unauthorized repairs
- B. Consumable Parts such as detergent bottle, patio cleaner, jet lance, fix brush and nozzle pin
- C. Failure due to lack of routine maintenance.
- D. Failure as a result of not using the equipment in accordance with the manual and safety instructions
- E. The adjustment of cables, drives belts or recoil starters.

4. The guarantee is valid for a period of 2 years starting from the purchase date of the device. Guarantee claims should be submitted before the end of the guarantee period within two weeks of the defect being noticed. No guarantee claims will be accepted after the end of the guarantee period. The original guarantee period remains applicable to the device even if repairs are carried out or parts are replaced. In such cases, the work performed or parts fitted will not result in an extension of the guarantee period, and no new guarantee will become active for the work performed or parts fitted. This also applies when an on-site Service is used.

5. Please keep your sales receipt in a safe place. If is covered by our guarantee your device will either be repaired under the terms of guarantee or we will send you a replacement device. This device may be re-conditioned or like for like replacement .

Declaration of Conformity