

# SOVEREIGN

## Garden Roller



## **GR57** **OPERATING INSTRUCTIONS**

## INTRODUCTION

Thank you for purchasing a POWERBASE garden roller.

We would you like to be completely satisfied with your new product and hope you will enjoy using this tool for many years.

Your GR57 is intended for rolling surfaces and freshly sown seed (for example grass seed but also seed in beds) to ensure that the seed is perfectly inserted in the soil. The roller can also be used after the lawn area has been scarified or fertilized. The appliance is to be used only for its prescribed purpose. Any other use is deemed to be a case of misuse.

The device is not allowed to be used in public gardens, parks, sports centres or at roadsides as well as agriculture and forestry.

## GENERAL SAFETY WARNINGS



### WARNING!

Keep this operating and maintenance manual in a safe place for future reference.

Read the instructions carefully. Be familiar with the controls and the proper use of the equipment.

Never allow children or people unfamiliar with these instructions to use the lawn roller. Local regulations can restrict the age of the operator.

Never roller while people, especially children, or pets are nearby. Keep in mind that the operator or user is responsible for accidents or hazards occurring to other people or their property.

This appliance is not intended for use by persons (including children) with reduced physical, sensory or mental capabilities, or lack of experience and knowledge, unless they have been given supervision or instruction concerning use of the appliance by a person responsible for their safety.

### Preparation

#### a) THIS MACHINE CAN CAUSE SERIOUS INJURIES.

Read the instruction carefully for the correct handling, preparation, maintenance, starting and stopping of the appliance. Be familiar with the controls and the proper use of the appliance. Read and understand the operator's manual and observe the warnings and instruction labels affixed to the appliance.

b) **Users.** Never allow children or people unfamiliar with these instructions to use the appliance. Local regulations may restrict the age of operator. Never operate the tool under the influence of alcohol, medication or drugs.

c) **Use appropriate tool.** This device is only intended for rolling surfaces and freshly sown seed (for example grass seed but also seed in beds) to ensure that the seed is perfectly inserted in the soil. The roller can also be used after the lawn area has been scarified or fertilized. And the tool is only designated for use on private property.

d) **Keep work areas clean.** Cluttered areas and benches can cause accidents.

e) **Consider work area environment.** Keep the work area well lit.

f) **Keep all bystanders, children, and pets at least 50 feet away.** The operator or user is responsible for accidents or hazards occurring to other people or the property.

### Personal Safety

a) Use personal protective equipment (PPE). Always wear protective equipment such as non-skid safety shoes, gloves used for appropriate conditions will reduce personal injuries.

b) Dress appropriately. Do not wear loose clothing or jewelry, as these can be caught in moving parts. Preferably wear non-slip footwear when working outdoors. Wear protective hair covering to keep long hair out of the way.

c) Stay alert, watch what you are doing and use common sense when operating a tool. Do not use a tool while you are tired or under the influence of drugs, alcohol or medication. A moment of inattention while operating tools may result in serious personal injury.

d) Keep all parts of the body away from the rolling parts. Make sure the roller is stopped when clearing jammed material. A moment of

inattention while operating the tool may result in serious personal injury.

e) Do not overreach. Keep proper footing and balance at all times. This enables better control of the tool in unexpected situations.

### Operation Safety

a) Be certain the parts are fully tightened before operating the tool. Check it periodically for tightness during use to avoid serious injury.

b) Risk of cut. Do not touch or try to stop the roller when they are moving.

c) Check for damaged parts. Before further use, carefully check the tool for damage. Check for alignment of moving parts, binding of moving parts, breakage of parts, mounting and any other condition that may affect its operation.

Do not use the tool if any parts are damaged or defective. Have any damaged or defective parts repaired or replaced by an authorized service agent. Never attempt any repairs yourself.

d) Grip the tool securely. Operator should use two hands on the upper handle.

e) Keep handle dry, clean and free from oil and grease. Slippery handles do not allow for safe handling and control of the tool in unexpected situations.

f) Do not force the tool. Use the correct force of tool for your application.

### Maintenance and Storage

a) Maintain tools with care. Keep tools clean and in good condition for better and safer performance. Follow the instructions for maintenance and changing accessories. Keep handles dry, clean and free from oil and grease.

b) Keep roller surface clean. Properly maintain the roller surface without build-up of grass clippings or other debris are less likely to bind and are easier to control.

c) Store idle tool out of the reach of children and do not allow persons unfamiliar with the tool or these instructions to operate the tool.

### Service

a) Have your tool repaired by an authorized service agent. This tool is manufactured in accordance with the relevant safety regulations. To avoid danger, the appliances must only be repaired by qualified technicians.

**SYMBOLS**

Symbols are used in this manual to attract your attention to possible risks. The safety symbols and the explications which accompany them must be perfectly understood. The warning themselves do not prevent the risks and can not be a substitute for proper methods of avoiding accidents.



**Warning!**



**Read the user instructions carefully to make sure you understand all the controls and what they do.**



**Wear protective gloves.**



**Wear safety shoes.**



**Always keep the roller on the ground when working.**



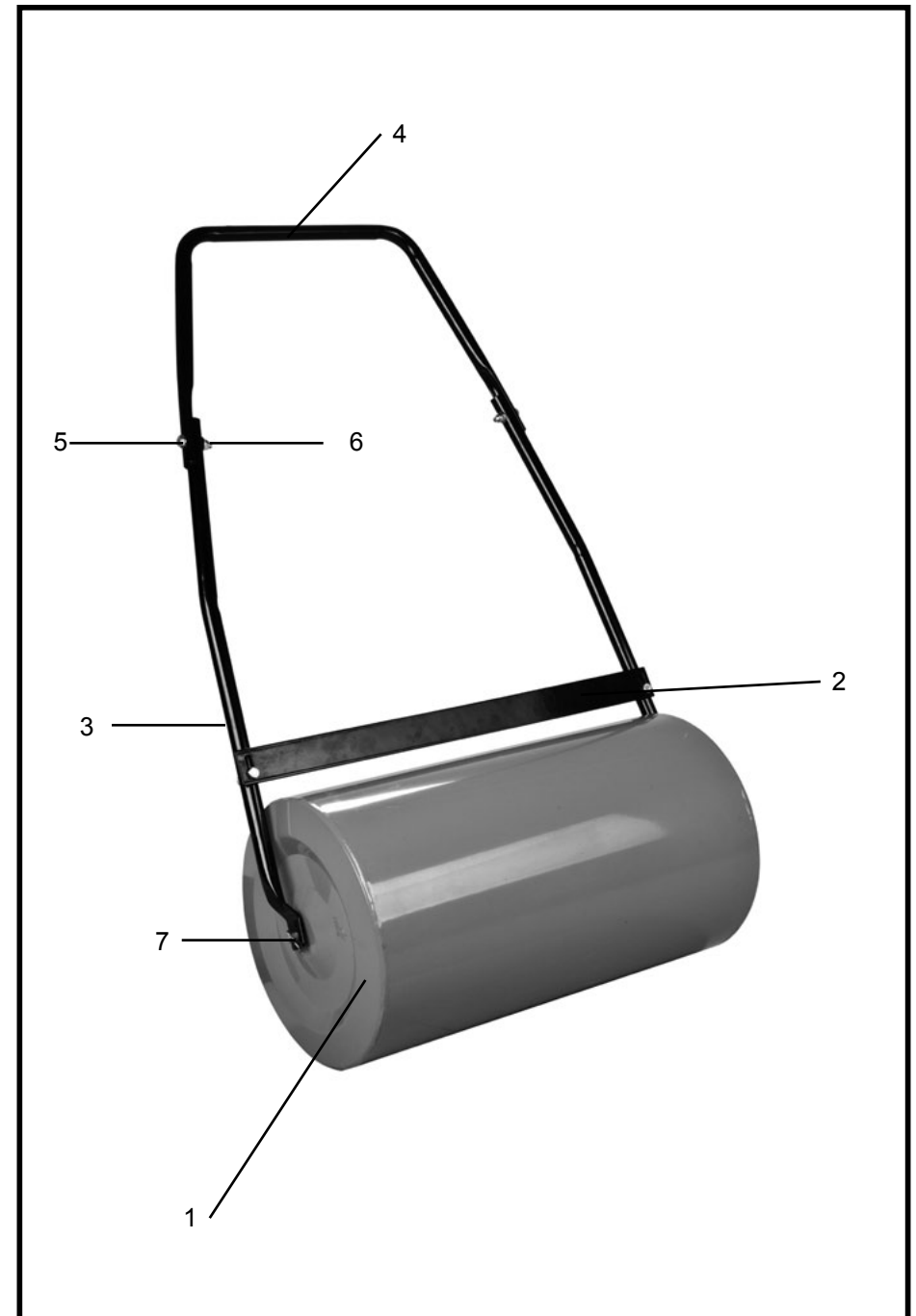
**Keep bystanders away. Do not work whilst people especially children or pets are in the working area.**



**Do not use in the rain or leave the roller outdoors while raining.**



**Do not put hands or feet near a rotating roller.**



## ORIGINAL INSTRUCTIONS

1. Roller
2. Dirt wiper
3. Bottom shaft
4. Push bar
5. Bolt
6. Nut
7. Pin

## ORIGINAL INSTRUCTIONS

### OPERATING INSTRUCTIONS



Note: Before using the roller, read the instruction book carefully.

### PREPARING TO ASSEMBLE THE LAWN ROLLER



WARNING! Always take care when removing the packaging to prevent damage to you or to the lawn roller.

NOTE! You will need 8mm, 13mm and 14mm open-ended wrenches for the assembly work.

1. Remove all parts of the lawn roller from the box and carefully remove all packaging. Take care not to lose any instructions which may be affixed to the parts. These provide important information which will be required while assembling the lawn roller.
2. Keep all packaging until the lawn roller is fully assembled and has been operated successfully.

NOTE! Always recycle the packaging in accordance with local recycling schemes.

### ASSEMBLE THE LOWER HANDLES

Before using the lawn roller, a one-time assembly is required.

1. Insert the left lower handle (3) onto the shaft (1) of roller as illustrated in Fig A, and use pin to fix the lower handle securely.
2. Do the same on the other side.

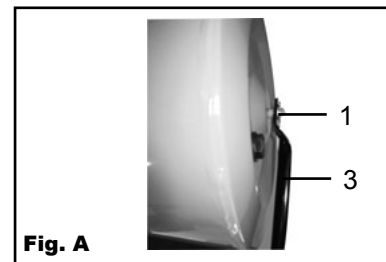


Fig. A

### CONNECTION THE DIRT WIPER WITH LOWER HANDLES

1. Connect the dirt wiper with the right & left handles with two bolts. See below figure for reference.



### CONNECTION THE UPPER HANDLES

Connect the upper handles with lower handles by two bolts. See below figures.



## ORIGINAL INSTRUCTIONS

### FILLING WATER OR SANDS IN THE ROLLER

Tilt the roller and make sure the sealing cap faces you, fill water or sand in it. Tighten the sealing cap with wrench.



**WARNING!** Always wear safety gloves when doing any work on the lawn roller.

Pull the roller over the ground you wish to toll in even strips. Only roll dry ground.

### MAINTENANCE

To ensure long and reliable service carry out the following maintenance regularly.

Regularly check for obvious defects such as loose, loose fixings, and worn or damaged components. Check that parts are undamaged and correctly fitted. Carry out necessary maintenance or repairs before using. If the roller should happen to fail despite the care taken in manufacture and testing, repair should be carried out by an authorized service agent.

After working/storage clean the exterior of the machine thoroughly using a soft brush and cloth. Do not use water, solvents or polishes. Store the roller in a dry place. Do not place other objects on top of the machine.

### TROUBLESHOOTING



**WARNING!** Only perform the steps described within these instructions! All further inspection, maintenance and repair work must be performed by an authorised service centre or a similarly qualified specialist if you cannot solve the problem yourself!

Suspected malfunctions, disturbances or damages are often due to causes that the user can fix themselves. Therefore check the product using this section. In most cases the problem can be solved quickly.

Problem	Possible cause	Solution
Unsatisfying result	1. handle doesn't assemble well 2. Bolts loosen	1. Refer to handle connection 2. Tighten the bolts

## ORIGINAL INSTRUCTIONS

### TECHINICAL DATA

Model No.	GR57
Roller width	57 cm
Roller diameter	32 cm
Volume	46 L
Total height with handle	106 cm
Net Weight	11kg

### RECYCLING AND DISPOSAL

1. Recycle unwanted materials instead of disposing of them as waste. All tools, hoses and packaging should be sorted, taken to the local recycling centre and disposed of in an environmentally safe way.
2. Recycle rather than dispose of unwanted material in landfill whenever possible. The machine must be delivered in rigid packaging to avoid damage during transportation. The packaging and the machine itself are manufactured from recyclable materials and should be disposed of accordingly.
3. Do not throw your clippings into a rubbish bin where it will be disposed of in landfill .You can dispose of clippings on your compost heap, alternating then with other garden material. The more thoroughly you chop the clippings beforehand, the more rapidly they will degrade. Alternatively, many communities provide a public collection point where you can dispose of your garden waste in an environmentally friendly manner.
4. Recycle packaging where facilities exist.

### GUARANTEE

This product is selected for DOMESTIC USE ONLY and not for business use. This product is guaranteed against manufacturing defects for a period of 12 months. This does not cover the product where the fault is due to misuse, abuse, use in contravention of the instructions, or where the product has been the subject of unauthorised modifications or alterations, or has been the subject of commercial use. In the event of a problem with the product within the guarantee period please return it to your nearest Homebase store. If the item is shown to have an inherent defect present at the time of sale, the store will provide you with a replacement. Your statutory rights remain unaffected.