



User Manual

Spend a little Live a lot



PORTABLE COMPRESSOR



Original user manual

Product Info



www.aldi.co.uk



QR codes take you where you want to go quickly and easily

Whether you require **product information, spare parts** or **accessories**, details on **warranties** or **aftersales services**, or if you want to watch a **product demonstration video**, our QR codes will take you there in no time at all.

What is a QR code?

A QR code (QR = Quick Response) is a type of matrix that can be read with a smartphone camera and that contains a link to a website or contact details, for example.

Advantage: You do not need to manually enter a website address or contact details.

This is how it works

To scan the QR code, all you need is a smartphone with QR code reader software and an internet connection.* This type of software can be downloaded for free from your app store.

Try it out now

Just scan the QR code with your smartphone and find out more about the Aldi product you have purchased.*

Your Aldi Service Portal

All details mentioned above can also be found in the Aldi Service Portal at www.aldi.co.uk.

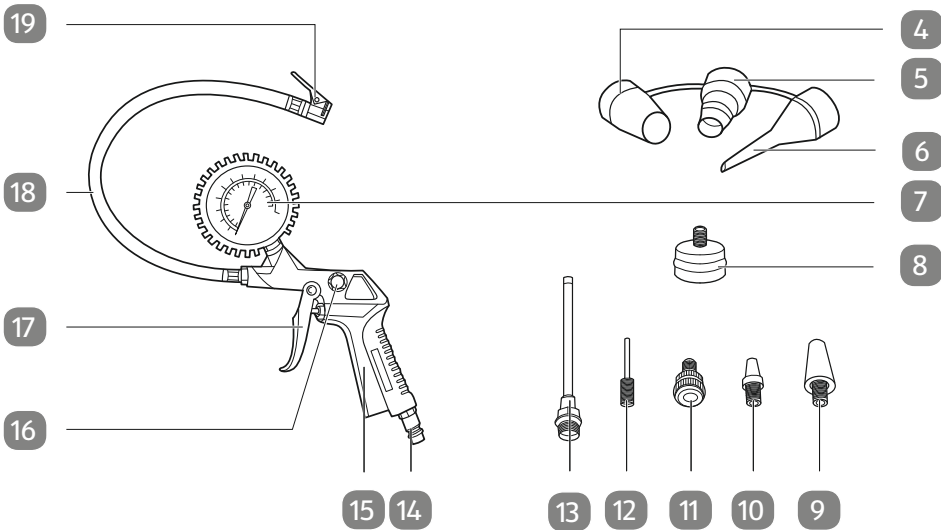
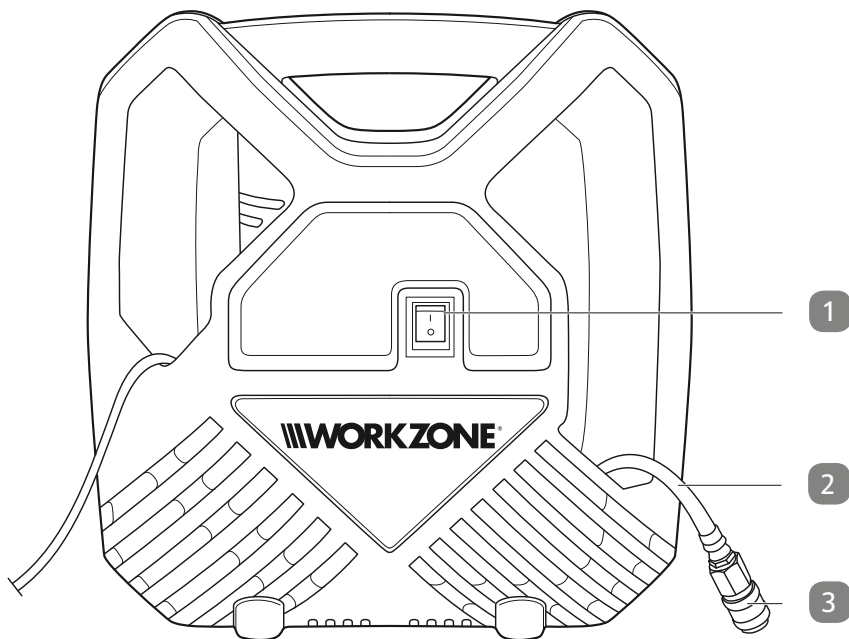


*Depending on your tariff plan you may be charged for the connection.

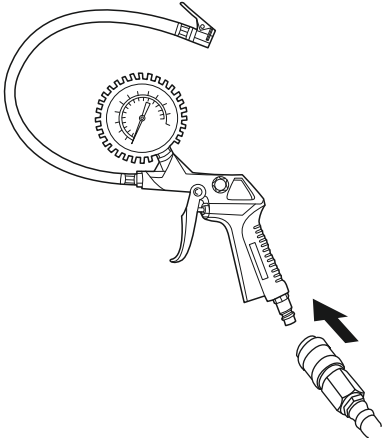
Contents

Overview	4
Use.....	5
Product contents/device parts.....	6
General information.....	7
Reading and storing the user manual	7
Explanation of symbols	7
Safety	9
Proper use.....	9
Residual risks.....	10
Safety notes	10
Safety notes for the compressor.....	13
Checking the compressor and product contents	16
Use.....	17
Connecting and disconnecting the pneumatic gun.....	18
Switching the compressor on and off	18
Inflating	19
Use as a blow-out gun	20
Cleaning	21
Replacing the mains connection line.....	22
Storage	23
Troubleshooting.....	23
Technical data	24
Disposal.....	25
Disposing of the packaging	25
Disposing of the compressor	25
Declaration of conformity	26
Warranty card	27
Warranty conditions.....	28

A



B



GB**IRE**

Product contents/device parts

- 1 On/Off switch
- 2 Compressed air hose
- 3 Quick coupling
- 4 Screw-on valve adapter
- 5 Bleed adapter
- 6 8 mm adapter
- 7 Manometer
- 8 Nozzle adapter
- 9 Thick conical universal adapter
- 10 Thin conical universal adapter
- 11 Express valve adapter
- 12 Ball needle
- 13 Air blow gun nozzle
- 14 Compressed air connector plug
- 15 Pneumatic gun
- 16 Drain valve
- 17 Trigger switch
- 18 Pneumatic gun hose
- 19 Quick-release with lever

General information

Reading and storing the user manual



This user manual accompanies this portable compressor. It contains important information on how to set up and handle the device. For improved readability, the portable compressor will be referred to only as the “compressor” below.

Before using the compressor, read the user manual carefully. This particularly applies for the safety notes. Failure to heed this user manual may result in severe injury or damage to the compressor.

Applicable local and national legislation concerning the use of this product must be complied with.

Store the user manual for future use. If you pass the compressor on to third parties, please be absolutely sure to include this user manual.

This user manual is also available via the service address specified on the warranty card.

Explanation of symbols

The following symbols and signal words are used in this user manual, on the compressor or on the packaging.



WARNING!

Designates a hazard that may lead to death or severe injury if not avoided.



CAUTION!

This signal symbol/word designates a hazard with low risk that, if not avoided, may result in minor or moderate injury.

NOTICE!

Warns against potential damages to property.



This symbol provides you with useful supplementary information on assembly or operation.



Declaration of conformity (see chapter “Declaration of conformity”):
Products marked with this symbol meet all applicable Community regulations for the European Economic Area.



Read the user manual.



The certified safety seal confirms that the compressor is safe if used as foreseeable. The test seal confirms conformity with the German Product Safety Act (ProdSG).



This symbol indicates that this type of packaging can be recycled through kerbside collection programs.



Wear ear protection.



The guaranteed sound power level L_{WA} is 97 dB.



Warning: The compressor may start without warning.



Warning of hot parts. The surfaces of the compressor may heat up during operation.



This symbol identifies devices that belong to the protection class II.



Warning! Do not operate the device in upright position. Device might topple over due to strong vibrations, damaging the device and/or nearby equipment.



This symbol warns of a risk of electrical shock.



This compressor is only suitable for operation indoors.



This compressor has a theoretical suction capacity of 180 l/min.



This compressor has a nominal voltage of 230 – 240 V~, 50 Hz.



This compressor is designed for a maximum pressure of 8 bar.



This compressor is suitable for inflating balls.



This compressor is suitable for inflating tyres.



This compressor is suitable for blowing out dust.



This compressor is suitable for inflating rubber dinghies.

Safety

Proper use

The compressor serves to produce compressed air for inflating car tyres, bicycle tyres, air mattresses, sports balls, rubber dinghies etc. using the enclosed adapters.

The compressor is not designed to be used commercially, in the trades or for industrial applications; it is only designed for private users for hobby and DIY projects.

The compressor may only be used in accordance with its intended purpose. Any other kind of use is prohibited! The compressor is not a children's toy.

Proper use also includes compliance with the safety notes, assembly instructions and operating notes in the user manual.

The manufacturer or vendor accepts no liability for damage caused by improper or incorrect use.

Only accessories that are suitable for the compressor may be used.

Persons who operate the compressor and perform maintenance must be familiarised with it and be advised of possible risks. Furthermore, every aspect of applicable accident prevention guidelines must be exactly adhered to.

Other general guidelines relating to occupational medicine and safety must be observed. Modifications to the compressor rule out any liability of the manufacturer for resulting damages.

Any other applications are expressly prohibited and are deemed improper use.

Residual risks

Despite proper use, inconspicuous residual risks cannot be completely ruled out.

The following risks may arise due to the nature of the compressor:

- Hearing loss in the event of failure to use the required ear protection.

ATTENTION! When using power tools, the following basic safety measures must be taken in order to provide protection against electric shocks, risk of injury and fire.

Read all these notes before using the power tool and keep the safety notes in a safe place. Failure to follow the safety notes and instructions may result in an electric shock, fire and/or severe injury.

The user manual and, in particular, the safety notes must be carefully read and adhered to by each user before beginning work.

Work on this device may only be performed by persons who have been instructed in how to use the compressor and who have been advised on the associated risks.

The manufacturer of the compressor is not liable for damages caused by the compressor or damages to the compressor in the event of:

- improper handling or improper use,
- failure to comply with the user manual,
- repairs by a third party, unauthorised specialist workshops,
- installation and replacement of non-original replacement parts,
- failures of the electrical system due to failure to comply with electrical guidelines and provisions.

In addition to the safety guidelines in this user manual, please be absolutely sure to observe the regulations for operating the compressor that are in force in your country.

In addition to the safety notes in this user manual and the special regulations for your country, the generally recognised technical rules for operating this compressor must be observed.

Safety notes

Attention! When using this compressor, the following general safety measures must be taken in order to provide protection against electric shocks, risks of injury and fire.

Read and take note of these instructions before you use the device.

1. Keep your work area orderly.

- Disorganisation in your work area poses a risk of accident.

2. Take any environmental factors into account.

- Do not expose the compressor to rain.

- Do not operate the compressor in wet or damp rooms.
- Ensure that the work area is well lit.
- Do not use the compressor if there is a risk of fire or explosion.

3. Protect yourself against electrical shock.

- Avoid contact between your body and earthed parts (e.g. pipes, radiators, electric stoves, cooling units).

4. Keep other persons away.

- Do not allow other persons, particularly children, to touch the compressor or cable. Keep them away from your work area.

5. Store the compressor in a safe area.

- The unused compressor should be stored in a dry, locked room out of the reach of children.

6. Do not overload your compressor.

- It works better and more safely within the specified power range.

7. Wear suitable work clothing.

- Do not wear any loose-fitting clothing or jewellery as it could be caught by moving parts.
- It is recommended that you wear firm footwear when working outdoors.
- If you have long hair, wear a hair net.

8. Use protective equipment.

- Wear protective goggles.
- Use a breathing mask when performing dusty work.

9. Do not use the cable for purposes other than the intended one.

- Do not use the cord to pull the plug out of the socket.
Protect the cord against heat, oil and sharp edges.

10. Take good care of your compressor.

- Keep your compressor clean to ensure that you can work safely and effectively.
- Follow the maintenance guidelines.
- Check the connector cable and the plug of the compressor regularly and have it replaced by a qualified professional in case of damage.
- Check the extension cords regularly and replace them if they are damaged.
- Keep the handles dry, clean and free of oil and grease.

11. Pull out the mains plug.

- When not using the compressor, before performing maintenance and when changing tools.

12. Prevent accidental start-up.

- Ensure that the switch is off when inserting the plug in the socket.

13. Use an extension cord when working outdoors.

- When outside, only use an extension cord that is approved for such use and which is labelled accordingly.

14. Remain attentive.

- Pay attention to what you are doing. Approach work in a reasonable manner. Do not use the compressor if you are unconcentrated, tired or under the influence of drugs, alcohol or medication.

15. Check the compressor for any damages.

- Before you use the compressor, the protective devices or easily damaged parts must be carefully checked for functioning properly and as intended.
- Check to make sure that moving parts are fully functional, that they are not jammed and that the parts are not damaged. All parts must be properly mounted and fulfil conditions to ensure proper operation of the compressor.
- Damaged protective devices and parts must be properly repaired or replaced by an authorised workshop to the extent not otherwise specified in the user manual.
- Damaged switches must be replaced by a customer service workshop.
- Do not use any power tools if the switch cannot be turned on and off.

16. ATTENTION!

- For your own safety, only use accessories and auxiliary equipment specified in the instruction manual or recommended or specified by the manufacturer. Using insertion tools or accessories other than those specified in the user manual or recommended in the catalogue may pose a personal risk of injury for you.

17. Have your power tool repaired by an electrical technician.

- This power tool complies with applicable safety regulations. Repairs may only be performed by an electrician who uses original replacement parts; otherwise, there is a risk of accident for the operator.

18. Noise.

- Wear ear protection when using the compressor.

19. Replacement of the connector cable.

- If the connector cable is damaged, it must be replaced by the manufacturer or an electrician to avoid risks.

Safety notes for the compressor

ATTENTION! For your own safety, only operate the compressor after you have read the safety notes.

WARNING!

Danger of explosion!

Operating the compressor in an unsuitable location without adequate ventilation, at an unsuitable ambient temperature or in a room where dust, acids, vapours or flammable gases are present poses a risk of explosion.

- The compressor must not be operated or stored in a room where there are dusts, acids, vapours or flammable gases. It could explode.
- Keep flammable substances away from the compressor.
- Only operate the compressor at an ambient temperature of at least +5 °C and no more than +40 °C. Starting the motor at temperatures below +5 °C poses a risk due to stiffness.
- Make sure that the ambient temperature in an enclosed working environment does not exceed +25 C to ensure that the compressor continues to function properly when continuously and completely filled with air.
- Only operate the compressor in well ventilated rooms.
- Do not spray water or flammable liquids on the compressor.

WARNING!

Risk of injury!

The compressor is under pressure during operation and in an unvented state. Pressure may be released if the compressor is damaged, connections have been separated or if unsuitable or damaged lines are used. There is a risk of injury.

- A compressor must not be used if it exhibits defects that pose a risk to the operators or third parties.
- Check the compressor for rust and damage before each use. Never operate the compressor if it is damaged or deformed. If you identify damages, contact our customer service department at the service address indicated on the warranty card.
- Do not separate any connections while the compressor is in a pressurised state.

- Never create holes or welded seams on the compressor and never change its shape.
- Make sure that the compressed air tank is always vented before separating the connections, connecting or removing pneumatic tools.
- Move the On/Off switch (pressure monitor) to the “0” (OFF) position once the compressor has been switched off.
- Make sure that you only use pneumatic lines for compressed air that are suitable for at least 150 % of the maximum pressure produced by the compressor.
- Do not use the compressor if the hose or the hose connections have any leaks or are damaged.
- Do not attempt to repair damaged lines; instead, replace them.
- Make sure that the hose clamps are always securely tightened. Loose or damaged hose clamps could allow air to leak uncontrollably.

 **WARNING!****Risk of electric shock!**

A faulty electrical installation, excessive mains voltage or moisture may result in an electric shock.

- Only connect the compressor if the mains voltage of the socket corresponds to the operating voltage as indicated on the machine’s rating plate.
- Only connect the compressor to an easily accessible socket so that you can quickly disconnect it from the power supply in the event of a fault.
- Do not use any adapter plugs in combination with power tools with protective earthing. Plugs that have not been modified and sockets with the proper fit reduce the risk of an electric shock.
- Lay the mains cord so that it does not pose a tripping hazard.
- Do not kink the mains cord and do not lay it over sharp edges.
- Do not carry the compressor by the mains cord and do not hang it up by the mains cord.
- Before transport and before performing cleaning or maintenance, always pull the mains plug out of the socket.

- Do not use the compressor if the mains cord or the mains plug is damaged. Have an authorised specialist workshop replace the damaged part with an original part. To do so, contact the customer service department at the service address indicated on the warranty card.
- Always pull the mains plug out of the socket when you are not using the device.
- If you are working outdoors, use a fault current (FI) protection switch with a release current of no more than 30 mA to connect the compressor.
- Do not use the compressor if it is damp or in a damp environment.
- With respect to outdoor use, only use an extension cord which is approved for outdoor use.
- Switch the compressor off each time before you transport it and pull the mains plug.

 **WARNING!****Burn hazard!**

The compactor and the lines of the compressor become hot during operation. You could burn yourself on them.

- Do not touch the compactor and the lines during operation to avoid burn injuries.
- Be careful when working.

 **WARNING!****Risk of injury!**

The compressed air jet, which you generate with the compressor, has a high pressure. Improper use of the compressor or the compressed air jet poses a risk of injury!

- Do not point the compressor or the accessories at persons, objects or animals to prevent severe injury to persons.
- Do not point the compressed air jet at persons or animals and do not use it to clean clothing that is being worn.
- Do not insert hands or objects through the compressor's protective grates.
- Keep children and animals away from the functional area of the compressor.
- When separating the hose coupling, hold the coupling element firmly with your hand to prevent injury caused by the hose lashing back.

- Wear protective goggles when working with the blow-out gun. Debris and parts that are blown away pose a risk of injury.
- Avoid exhaust air coming into contact with your eyes. Exhaust air from the compressor may contain water, oil, metal particles and contaminants from the compressor. This could cause injury to health.

⚠ WARNING!**Risk of injury!**

There is a risk of injury if the compressor starts up uncontrollably.

- Be careful when setting down the compressor.
- Never lay the compressor on the On/Off switch. Otherwise, the compressor could accidentally switch on.

NOTICE!**Risk of damage!**


Improper handling of the compressor may result in damage to the compressor.

- Do not insert any objects in the compressor.

Checking the compressor and product contents

⚠ WARNING!**Risk of swallowing and choking!**

Children must not play with plastic bags, wrappers and small parts. There is a risk of being swallowed and suffocation.

- Keep children away from the compressor, small parts and the packaging material.
- The compressor is not a children's toy.
 1. Carefully take the compressor out of the packaging.
 2. Check to make sure that the delivery is  complete (see **fig. A**).
 3. Check whether the compressor or the accessories exhibit damage. If this is the case, do not use the compressor. Contact the manufacturer using the service address specified on the guarantee card.
 4. To the extent possible, store the packaging until the warranty period has expired.

Use

NOTICE!

Risk of damage!

The compressor is not suitable for continuous operation. The compressor will overheat if operated continuously for an excessive amount of time or if overloaded. It could be damaged as a result.

- Never operate the compressor for longer than 10 minutes at a time.
- The compressor may only be operated with the rated input power for 15 % of the operating time, that is, for 1.5 minutes. The compressor will cool off the rest of the time.
- Switch the compressor off after no later than 10 minutes of continuous operation and let it cool off for at least 10 minutes.

Do not exceed the permissible power range of compressor. Do not inflate any lorry, tractor or other large tyres.

NOTICE!

Risk of damage!

Operating the compressor with long feed lines, extension cords or cable drums could cause a voltage drop and prevent the motor from starting.

- If possible, do not use any long lines, extensions or cable drums.
- An undersized air pressure system can affect the efficiency of your device.

NOTICE!

Risk of damage!

The compressor will vibrate during operation. If you set up the compressor in an unsuitable location, you could damage it.

- Place the compressor on an easily accessible, level, dry and sufficiently stable work surface. Do not place the compressor on the edge of the work surface.
- During operation, always place the compressor on the rubber feet or set it on the underside.
- Do not place the compressor on or near hot surfaces.
- Set the compressor up in a location with dry and clean air. Do not use it in wet rooms and in areas where work is performed with spraying water or in the rain.

Connecting and disconnecting the pneumatic gun

CAUTION!

Risk of injury!

If the compressed air hose with the quick coupling recoils uncontrollably when it is disconnected from the pneumatic gun, it could thrash around and you could injure yourself.

- Firmly hold the quick coupling in your hand when disconnecting it from the pneumatic gun.

Connecting the pneumatic gun

Before operating the compressor, you must attach the pneumatic gun with the manometer and, if necessary, an adapter nozzle. To do so, proceed as follows:

1. Make sure that the compressor has been switched off.
2. Insert the compressed air connector plug **14** of the pneumatic gun **15** in the quick coupling **3** until it audibly locks into place (see **fig. B**).
The sleeve of the quick coupling will automatically spring forward.
3. If you like, fit the nozzle adapter **8** and one of the enclosed adapters on the quick-release with lever **19** as described in the chapter “Inflating”.

You can now switch the compressor on as described in the chapter “Switching the compressor on and off”.

Disconnecting the pneumatic gun

1. Make sure that the compressor has been switched off.
2. Pull the sleeve on the quick coupling **3** of the compressed air hose **2** back (see **fig. A**).
3. Pull the pneumatic gun **15** off.

Switching the compressor on and off

1. Place or lay the compressor on a suitable work surface.
2. Make sure that the On/Off switch **1** is set to the “0” position (see **fig. A**).
3. Connect the pneumatic gun **15** and any other accessories to the compressor as described in the chapter “Connecting the pneumatic gun”.
4. Insert the mains plug in a socket.
5. To switch the compressor on, set the On/Off switch to the “1” position.

You can read the work pressure on the manometer **7**.

6. To vent the air, push the drain valve **16** on the pneumatic gun and check the pressure on the manometer.
7. Set the On/Off switch to the “0” position to switch the compressor off.
8. If you no longer wish to use the compressor, pull the mains plug out of the socket.
9. Use the pneumatic gun to bleed the compressor; push the drain valve for this.
10. Disconnect the pneumatic gun from the compressor as described in the chapter “Disconnecting the pneumatic gun”.
11. Let the compressor cool off completely.
12. Clean the compressor as described in the chapter “Cleaning”.

Inflating

Inflating tyres without the adapter

Some valves such as a Schrader valve or a car valve can be inflated without a valve adapter being fitted. This makes it possible to e.g. easily inflate car tyres. To do so, proceed as follows:

1. Make sure that the On/Off switch **1** is set to the “0” position (see **Fig. A**).
2. Insert the mains plug in a socket.
3. Push the quick-release connector with lever **19** down and attach it to the valve, then let go of the quick-release with lever.
4. Make sure that all connections are secure.
5. To switch the compressor on, set the On/Off switch to the “1” position.
You can read the pressure of the product you are inflating on the manometer **7**.
6. To bleed the air, push the drain valve **16** on the pneumatic gun and check the pressure on the manometer.
7. Set the On/Off switch to the “0” position as soon as the desired or maximum permissible working pressure has been reached.
8. If you no longer wish to use the compressor, pull the mains plug and follow the steps described in the chapter “Switching the compressor on and off”.

Inflating tyres with an adapter

An 8-piece adapter set is included in the product contents. You can use the adapters to inflate bike tyres, air mattresses and other products.

The following overview shows you which adapters are suitable for which purposes.

Valve adapter	Use
Express valve adapter 11	Bicycle valve (Sclaverand valve, Dunlop valve)
Ball needle 12	Balls
Screw-on valve adapter 4	Screw-on valves (bathing boats, kayaks, pools or similar)
Conical universal adapter 9 and 10	Air mattresses and similar
Bleed adapter 5	for vent valves (e.g. for a flock bed)
8 mm adapter 6	All valves with an inner diameter > 8 mm (air mattresses, pools, or similar) – To open the valve, push the valve cap together slightly before you insert the adapter.

If you want to inflate products with the enclosed adapters, proceed as follows:

1. Make sure that the On/Off switch **1** is set to the “0” position (see **Fig. A**).
2. Insert the mains plug in a socket.
3. Push the quick-release with lever **19** down.
4. Fit the nozzle adapter **8** on the pneumatic gun **15**.
5. Screw the desired adapter into the nozzle adapter (see the table above).
6. Make sure that all connections are secure.
7. Insert the adapter in the valve.
8. To switch the compressor on, set the On/Off switch to the “1” position.
You can read the work pressure on the manometer **7**.
9. To bleed the air, push the drain valve **16** on the pneumatic gun and check the pressure on the manometer.
10. Set the On/Off switch to the “0” position as soon as the desired or maximum permissible working pressure has been reached.
11. If you no longer wish to use the compressor, pull the mains plug and follow the steps described in the chapter “Switching the compressor on and off”.

Use as a blow-out gun

You can also use the pneumatic gun as a blow-out gun to clean out cavities or hard-to-reach areas.

1. Disconnect the pneumatic gun **15** from the compressor as described in the chapter “Disconnecting the pneumatic gun” (see **Fig. A**).

2. Screw the hose **18** off of the pneumatic gun.
3. Screw the air blow gun nozzle **13** onto the pneumatic gun.
4. Connect the pneumatic gun to the compressor as described in the chapter "Connecting the pneumatic gun".
5. You can now switch the compressor on as described in the chapter "Switching the compressor on and off".

Cleaning

WARNING!

Danger of explosion!

The compressor or the attached tools may be in a pressurised state.

- Bleed the compressor completely before performing any cleaning and maintenance.
- Regularly maintain the compressor and have necessary maintenance and repair work performed without delay.

WARNING!

Risk of electric shock!

Water that has penetrated the housing may cause a short circuit. There is a risk of electric shock.

- Never immerse the compressor in water.
- Never use a high-pressure cleaner to clean the compressor.
- Make sure that no water penetrates the housing.
- Pull the mains plug each time before you clean the device.
- Disconnect all tools before you clean the compressor.

WARNING!

Burn hazard!

The compressor will become hot during operation.

- Each time before you clean the compressor, let it cool off completely.

NOTICE!**Risk of damage!**

Cleaning the compressor with unsuitable cleaners could damage it.

- Never clean the compressor with water, solvents or similar.
- Do not use any aggressive cleaners, sharp or metallic cleaning utensils such as knives, hard scrapers or similar. They could damage the surfaces.

NOTICE!**Risk of damage!**

Improper or irregular cleaning and maintenance could damage the compressor.

- Do not in any case open the housing.
- Keep all protective devices, vents and the motor housing as free of dust and dirt as possible.
- Clean the compressor regularly, ideally directly after you finishing work.



1. Set the On/Off switch **1** to the “0” position.
2. Disconnect the mains plug before cleaning.
3. Let the compressor cool off completely.
4. Open the drain valve **16** to completely bleed the compressor until no more air is released.
5. Disconnect the connected pneumatic tools before you clean the compressor.
6. Rub off the compressor with a clean cloth or blow the compressor off with compressed air at low pressure to remove dust and dirt.
7. Let all parts dry completely.

Replacing the mains connection line

⚠ WARNING!**Risk of electric shock!**

If the mains connection line is damaged or is improperly mounted, there is a risk of electric shock.

- The mains connection line may only be replaced by the manufacturer, its customer service or a similarly qualified specialist to avoid risks.
- If the mains connection line of this compressor is damaged, have it replaced by a qualified specialist before using the compressor again.

Storage

NOTICE!

Risk of damage!

The compressor can be damaged as the result of incorrect or improper storage.

- Pull the mains plug each time before you store the device.
 - Only store the compressor and all connected pneumatic tools in a vented state.
 - Always store the compressor in a safe, dry environment.
 - Always store the compressor in a room that is not accessible for children.
 - Always store the compressor so that it cannot be operated by unauthorised persons.
1. Pull the mains plug of the compressor.
 2. Let the compressor cool off completely.
 3. Bleed the compressor and all connected pneumatic tools as described in the chapter “Cleaning”.
 4. Store the compressor in a dry, safe place.

Troubleshooting

WARNING!

Risk of electric shock!

If you open the compressor or repair it improperly, there is a risk of electrical shock.

- Never open the housing of the compressor.
- Only have an authorised service outlet or customer service repair the compressor.
- Immediately disconnect the compressor from the power supply in the event of an error.

This compressor requires no maintenance. If a problem occurs, proceed as follows:

1. Disconnect the compressor from the power supply.
2. Let the compressor cool off.
3. Make sure that the compressor is in safe condition.
4. Use the following table to determine the cause of the problem.

Problem	Solution
The compressor doesn't start.	- Check whether the mains voltage, cord, fuse and socket are functioning properly.
	- Do not use an extension cord that is too long.
	- Do not use the compressor at ambient temperatures below 5 °C.
	- Avoid overheating the motor; let the compressor cool off.
The working pressure is too low.	- Check all gaskets and the non-return valve. If necessary, have it replaced by a qualified specialist.
The tools are not working.	- Check all hoses, the quick coupling and all tools and have them replaced by a qualified specialist if necessary.

Technical data

Model:	PT15101201
Nominal voltage:	230–240 V~, 50 Hz
Motor output:	1.1 kW
Type of operation:	S3 15 %
Compressor speed:	3550 min ⁻¹
Operating pressure:	max. 8 bar
Theoretical suction capacity:	180 l/min.
IP-Code:	IP20 (IP21S for electrical control parts and IP23 for motor),
Protection class:	II □
Weight:	6.5 kg
Article number:	93207
Operating mode S3 – 15 % – 10 minutes:	S3 = intermittent operation without the influence of starting process. This means that the maximum operating time amounts to 15 % (1.5 minutes) for a period of 10 minutes.

Noise levels were determined in accordance with EN ISO 2151. The A-weighted noise level of the power tool normally amounts to:

Sound pressure level: L_{pA} :	90 dB (A)
Uncertainty K:	1 db (A)
Sound power level L_{WA} :	97 dB (A)
Uncertainty K:	2 dB (A)

Disposal

Disposing of the packaging



Sort the packaging before you dispose of it. Dispose of cardboard and carton as waste paper and foils via the recyclable material collection service.

Disposing of the compressor

Dispose of the compressor in accordance with the applicable disposal regulations for your country.



Old appliances must not be disposed of with household waste!

If the compressor can no longer be used, every user is required by law **to dispose of old appliances separately from their household waste**, e.g. at a collection point in his community/borough. This ensures that old appliances are recycled in a professional manner and also rules out negative consequences for the environment. For this reason, electrical devices are marked with the above symbol.

Declaration of conformity

ECDeclaration of Conformity

We,

MEROTEC GmbH
Hanns-Martin-Schleyer-Straße 18a
47877 Willich
Deutschland

herewith declare that the product

Description: Portable Air Compressor
Model No: PT15101201
Function: Inflate bicycle tires, sport balls, inflatable mattresses

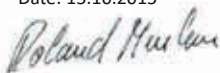
complies with the following directives:

Machinery Directive	2006/42/EC
Low Voltage Directive	2006/95 / EC
General Product Safety Directive	2001/95/EC
EMC Directive	2004/108/EC
RoHS Directive	2011/65/EU
WEEE Directive	2012/19/EU

Applied harmonized standards:
EN 55014-1:2006+A1:2009+A2:2011
EN 55014-2:1997+A1:2001+A2:2008
EN 61000-3-2:2014
EN 61000-3-3:2013
EN 1012-1:2010
EN 60204-1:2006+A1:2009

Person authorized to compile the technical file:
Dirk Wohlrab
MEROTEC GmbH

Legally valid signature:
Date: 15.10.2015



Ronald Menken
General Manager MEROTEC GmbH



WORKZONE® WARRANTY CARD
PORTABLE COMPRESSOR

Your details:

Name _____

Address _____



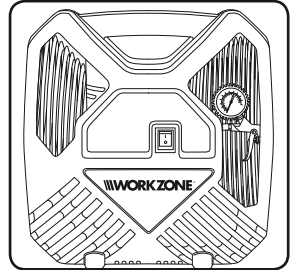
_____ E-mail _____

Date of purchase* _____

* We recommend you keep the receipt with this warranty card.

Location of purchase _____

Description of malfunction:



If after contacting the manufacturer you are requested to return the faulty product please return the completed warranty card together with it.

Unit A&B

Escrick Business Park

Escrick

York

YO19 6FD

Email: support@coreservice.co.uk

AFTER SALES SUPPORT



GB 0190 4727501

IRE 0190 22605



www.coreservice.co.uk

MODELL: PT15101201

PRODUCT CODE: 93207

05/2016

Phone lines available
Monday to Friday, 8am - 6pm.
Calls cost 10p per minute from
a landline, calls from mobiles
may vary.



3

YEARS
WARRANTY



Warranty conditions

Dear Customer,

The **ALDI warranty** offers you extensive benefits:

Warranty period: **3 years** from date of purchase.

Costs: Free repair/exchange.
No transport costs.

ADVICE: Please contact our service hotline by phone, e-mail or fax before sending in the device. This allows us to provide support in the event of possible operator errors.

In order to make a claim under the warranty, please send us:

- the faulty item together with the original purchase receipt and the completed warranty card.
- the product with all components included in the packaging.

The warranty does not cover damage caused by:

- **Accident** or **unanticipated events** (e.g. lightning, water, fire).
- **Improper use** or **transport**.
- **Disregard of the safety** and **maintenance instructions**.
- Other **improper treatment** or **modification**.

After the expiry of the warranty period, you still have the possibility to have your product repaired at your own expense. If the repair or the estimate of costs is not free of charge you will be informed accordingly in advance.

This warranty does not affect your statutory rights. In the event that a product is received for repair, neither the service company nor the seller will assume any liability for data or settings possibly stored on the product by the customer.



Spend a little Live a lot

Great care has gone into the manufacture of this product and it should therefore provide you with years of good service when used properly. In the event of product failure within its intended use over the course of the first 3 years after date of purchase, we will remedy the problem as quickly as possible once it has been brought to our attention. In the unlikely event of such an occurrence, or if you require any information about the product, please contact us via our helpline support services, details of which are to be found both in this manual and on the product itself.



PRODUCED IN CHINA FOR:

ALDI STORES LTD. PO BOX 26, ATHERSTONE
WARWICKSHIRE, CV9 2SH.

ALDI STORES (IRELAND) LTD.
PO BOX 726, NAAS, CO. KILDARE.
Visit us at www.aldi.com

AFTER SALES SUPPORT



GB 0190 4727501
IRE 0190 22605



www.coreservice.co.uk

MODEL: PT15101201

PRODUCT CODE: 93207

05/2016

3
YEARS
WARRANTY