



# User Manual

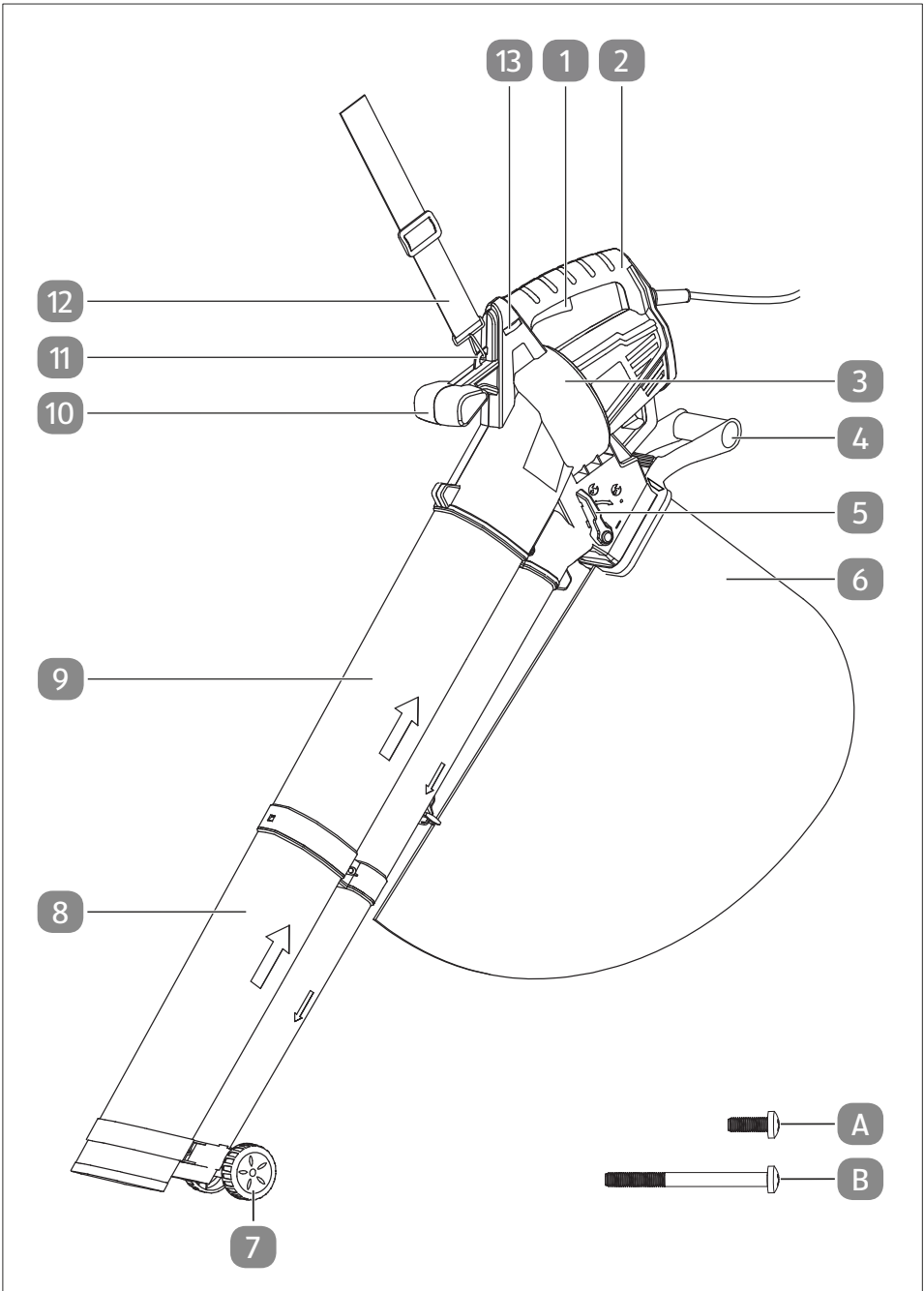
**FERREX®**

# ELECTRIC GARDEN BLOWER/VACUUM



**Original User Manual**

# Overview



## Package contents/device parts

- 1 On/Off switch
- 2 Main Handle
- 3 Motor housing
- 4 Collection bag handle
- 5 Blower/vacuum selector lever
- 6 Collection bag
- 7 Guiding wheel
- 8 Lower blow / vacuum tube
- 9 Upper blow / vacuum tube
- 10 Auxiliary handle
- 11 Fixing point for shoulder strap
- 12 Shoulder strap
- 13 Variable speed control

### Mounting material

- A Screw short (x XX)
- B Screw long (x XX)

### Required tools not included in the package

- 14 Phillips screwdriver PH1



# Table of content

<b>Overview</b> .....	<b>2</b>
<b>Package contents/device parts</b> .....	<b>3</b>
<b>General information</b> .....	<b>5</b>
Reading and storing the operating manual.....	5
Proper use.....	5
<b>Explanation of symbols</b> .....	<b>6</b>
<b>Safety</b> .....	<b>7</b>
<b>Check the device and scope of delivery</b> .....	<b>11</b>
<b>Assembly instruction</b> .....	<b>12</b>
Assemble the blow / vacuum tubes.....	12
Assembly of the guiding wheel.....	13
Assembly of the collection bag.....	14
Assembly of the shoulder strap.....	15
<b>Operation</b> .....	<b>15</b>
Set the operating mode.....	15
Adjust the speed.....	16
Switching on and off.....	17
Disassembly of the collection bag.....	17
Emptying the collection bag.....	18
<b>Cleaning and maintenance</b> .....	<b>19</b>
<b>Testing</b> .....	<b>20</b>
<b>Storage</b> .....	<b>20</b>
<b>Transport</b> .....	<b>20</b>
Load securing for transport.....	20
<b>Technical data</b> .....	<b>21</b>
Noise/vibration information.....	21
<b>Declaration of conformity</b> .....	<b>23</b>
<b>Disposal</b> .....	<b>24</b>
Disposing of packaging.....	24
Dispose of old electrical device.....	24

## General information

### Reading and storing the operating manual



This operating manual is part of the electric garden blower/vacuum (hereinafter also called "device"). It contains important information on how to set up and use the device.

Before using the device, read the operating manual carefully, in particular the safety instructions. Failure to follow this operating manual may lead to severe injuries or product damage.

This user manual is based on the standards and regulations that are valid within the European Union. Outside the EU, please also note the country-specific directives and laws.

Keep this operating manual for future reference. If you pass this device on to a third party, you must also supply this operating manual.

### Proper use

#### Intended use

The device is designed for picking up debris into the collection bag or blow debris.

This device is intended for private use only and is not suitable for commercial use. Use the device only as described in this operating manual. Any other use is improper and may lead to product damage or even personal injury. This device is not a toy.

The manufacturer or retailer assume no liability for damage caused by improper or incorrect use.

#### Residual risks

Despite proper use, hidden residual risks cannot be completely excluded.

Depending on the type of device, the following risks may occur:

- Health risks which may result from vibration emissions if the device is used for a long period of time or is not properly used or maintained.
- Injuries and material damage, which are caused by the moving blade or breaking tool heads.
- Health risks may result from working with toxic or hazardous materials (eg. asbestos) or if appropriate personal protection, due to hazardous material use, is not applied.

## Explanation of symbols

The following symbols and signal words are used in this user manual, on the device or on the packaging.



This symbol provides you with useful additional information on handling and use.



Declaration of conformity (see chapter “Declaration of conformity”): Products marked with this symbol meet all the applicable Community regulations of the European Economic Area.



This symbol identifies devices that belong to the protection class II.



Wear eye protection  
Wear ear protection  
Wear dust mask



Keep other people away.



Warning of hazard



SWITCH OFF: Remove plug from mains before cleaning or maintenance.



Disconnect the mains plug if the cord becomes damaged or entangled.



Do not use the device in the rain.

## Safety

The following signal words are used in this operating manual.

**⚠WARNING!**

This signal symbol/word denotes a hazard with an average risk level that could lead to death or severe injury if it is not avoided.

**⚠CAUTION!**

This signal symbol/word denotes a hazard with a low risk level that could lead to mild or moderate injury if it is not avoided.

**NOTE!**

This signal word provides a warning about potential material damage.

## General safety notes for power tools

**⚠WARNING!**

**Read all safety notes, instructions, illustrations and technical data provided with this power tool.** Failure to follow the instructions below may result in electric shock, fire and/or serious injury.

**Keep all safety notes and instructions for future reference.**

The term "power tool" used in the safety notes refers to both mains-operated power tools (with power cord) and battery-powered power tools (without power cord).

### **Workplace safety**

- **Keep your work area tidy and well lit.** *Clutter or unlit work areas can lead to accidents.*
- **Do not operate power tools in explosive atmospheres, such as in the presence of flammable liquids, gases or dust.** *Power tools create sparks which may ignite the dust or fumes.*
- **Keep children and bystanders away while operating a power tool.** *Distractions can cause you to lose control.*

### **Electrical safety**

- **Power tool plugs must match the outlet. Never modify the plug in any way. Do not use any adapter plugs with earthed (grounded) power tools.** *Unmodified plugs and matching outlets will reduce risk of electric shock.*
- **Avoid body contact with earthed or grounded surfaces, such as pipes, radiators, ranges and refrigerators.** *There is an increased risk of electric shock if your body is earthed or grounded.*
- **Do not expose power tools to rain or wet conditions.** *Water entering a power tool will increase the risk of electric shock.*

### **Personal safety**

- 
- **Stay alert, watch what you are doing and use common sense when operating a power tool. Do not use a power tool while you are tired or under the influence of drugs, alcohol or medication.** *A moment of inattention while operating power tools may result in serious personal injury.*
  - **Use personal protective equipment. Always wear eye protection.** *Protective equipment such as a dust mask, non-skid safety shoes, hard hat or hearing protection used for appropriate conditions will reduce personal injuries.*
  - **Prevent unintentional starting. Ensure the switch is in the off-position before connecting to power source and/or battery pack, picking up or carrying the tool.** *Carrying power tools with your finger on the switch or energising power tools that have the switch on invites accidents.*
  - **Remove any adjusting key or wrench before turning the power tool on.** *A wrench or a key left attached to a rotating part of the power tool may result in personal injury.*
  - **Do not overreach. Keep proper footing and balance at all times.** *This enables better control of the power tool in unexpected situations.*
  - **Dress properly. Do not wear loose clothing or jewellery. Keep your hair and clothing away from moving parts.** *Loose clothes, jewellery or long hair can be caught in moving parts.*
  - **If devices are provided for the connection of dust extraction and collection facilities, ensure these are connected and properly used.** *Use of dust collection can reduce dust-related hazards.*
  - **Do not let familiarity gained from frequent use of tools allow you to become complacent and ignore tool safety**

**principles.** *A careless action can cause severe injury within a fraction of a second.*

### **Using and handling the power tool**

- **Do not overload the power tool. Use the appropriate power tool for your work.** *The right power tool allows you to work better and safer in the specified power range.*
- **Do not use any power tool that has a defective switch.** *Power tools that can no longer be switched on or off are dangerous and must be repaired.*
- **Disconnect the plug from the socket and/or remove any removable batteries before making adjustments to the device, changing any insert tool parts, or putting the power tool away.** *This precaution helps prevent unintentional starting of the power tool.*
- **Keep power tools out of the reach of children when not in use. Whoever is not familiar with the power tool or who has not read these instructions should not be allowed to use it.** *Power tools are dangerous if used by inexperienced persons.*
- **Power tools and insert tools must be subject to careful maintenance. Check whether moving parts function properly without jamming, and whether parts are broken or damaged to such an extent that they impair the functions of the power tool. Have damaged parts repaired before using the power tool.** *Many accidents happen due to poorly maintained power tools.*
- **Use power tools, insert tools, insert tool parts, etc. according to these instructions. While doing so, take into account the working conditions and the activity to be**

---

**performed.** *The use of power tools for applications other than those intended can lead to dangerous situations.*

- **Keep handles and grip surfaces dry, clean and free of oil and grease.** *Slippery handles and grip surfaces hinder safe operation and control of the power tool in unforeseen situations.*

## Service

- **Have your power tool serviced by a qualified repair person using only identical replacement parts.** *This will ensure that the safety of the power tool is maintained.*

## Check the device and scope of delivery

### NOTE!

### Risk of damage!

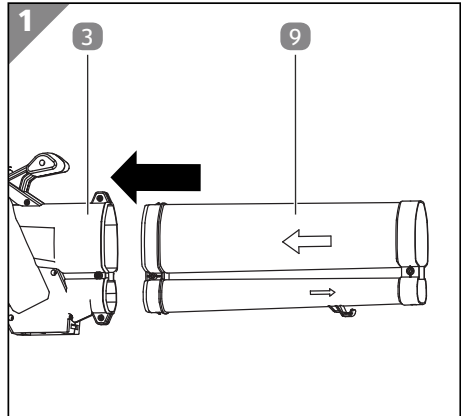
If opening the packaging with a sharp knife or other pointed objects, careless handling can damage the device.

- Therefore, be very careful when opening.
1. Take the device out of the packaging.
  2. Check that the delivery is complete (see chapter “Scope of delivery”).
  3. Inspect the device and individual parts for damage. Do not operate a damaged device; instead, contact the manufacturer via the service center listed on the warranty card.

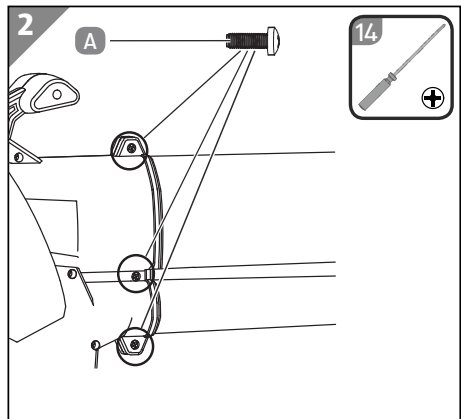
# Assembly instruction

## Assemble the blow / vacuum tubes

1. Insert the upper blow / vacuum tube **9** into the motor housing **3**.

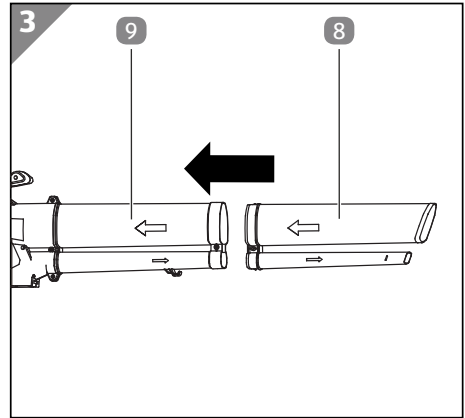


2. Screw in three screws short **A** clockwise in the positions shown.  
In the middle position, also screw in a screw short **A** from the rear side.



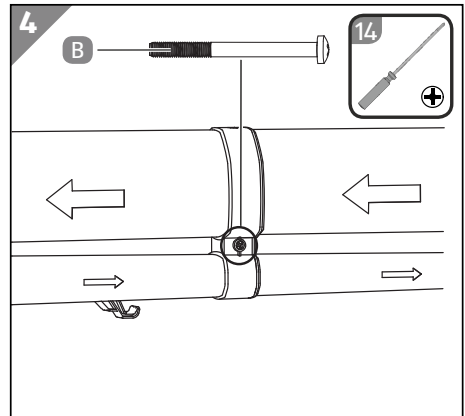
3. Insert the lower blow / vacuum tube into the open end of the upper blow / vacuum tube.

Make sure that the pins of the lower blow / vacuum tube snap into the recesses of the upper blow / vacuum tube.



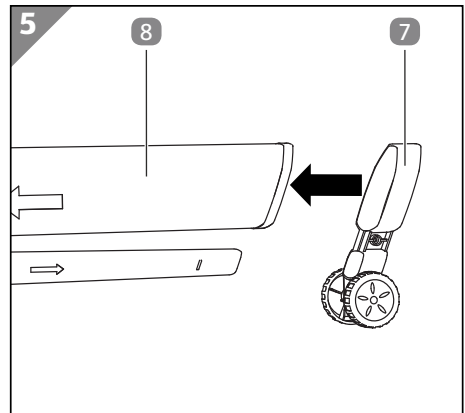
4. Screw in a screw long **B** clockwise in the positions shown.

*The blow / vacuum tubes are installed.*



## Assembly of the guiding wheel

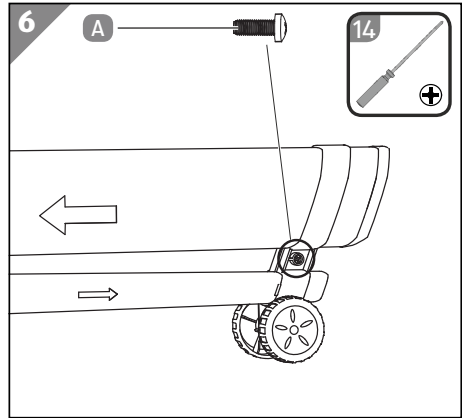
1. Slide the guiding wheel **7** onto the lower blow / vacuum tube **8** as shown.



## Assembly instruction

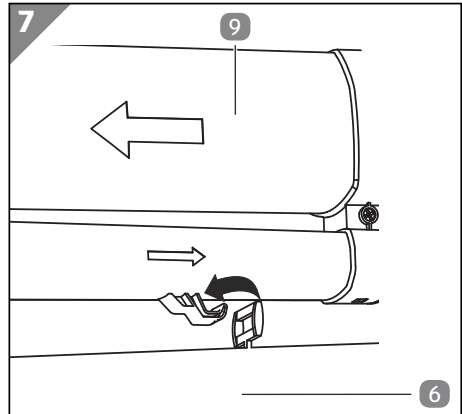
2. Screw in a screw short **A** clockwise in the position shown.

*The guiding wheel is mounted.*



## Assembly of the collection bag

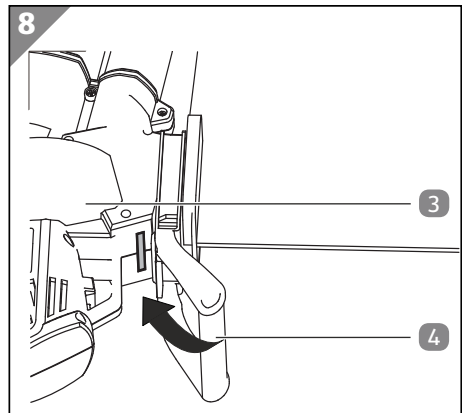
1. Attach the loop of the collection bag **6** to the hook of the upper blow / vacuum tube **9**.



2. Attach the collection bag handle **4** as shown in the illustration.

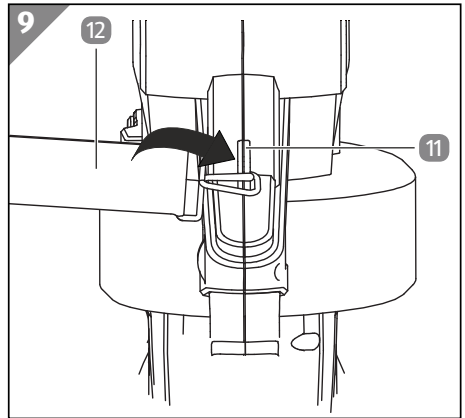
Press the handle of the collection bag in the direction of the motor housing **3** until it clicks into place.

*The collection bag is installed.*



## Assembly of the shoulder strap

- Connect the clip of the shoulder strap **12** with the fixing point for shoulder strap **11**.



## Operation

**⚠CAUTION!**

### Risk of injury!

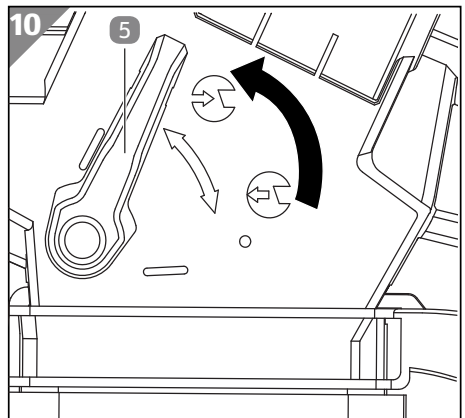
A damaged device or damaged accessories can lead to injuries.

- Check the device and the accessories (see section "Testing").

This chapter describes how to operate the device. The following instructions for use serve for your own safety and for successful, safe use of the device.

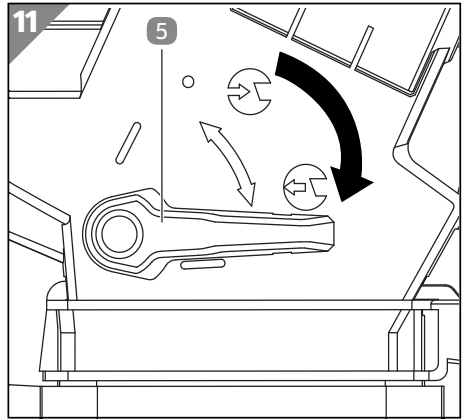
### Set the operating mode

- To select the operating mode, move the Blower/vacuum selector lever **5** to the desired position.
- a. Select the upper position to use the suction function.  
Use this function to vacuum up dirt outdoors.



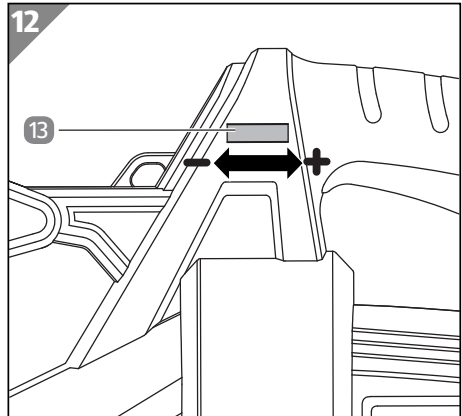
## Operation

- b. Select the lower position to use the blow function.  
Use this function to blow away dirt outdoors.



## Adjust the speed

- Adjust the speed of the device by turning the variable speed control (13).
  - a. Turn the variable speed control to the left (-) to reduce the speed.
  - b. Turn the variable speed control to the right (+) to increase the speed.



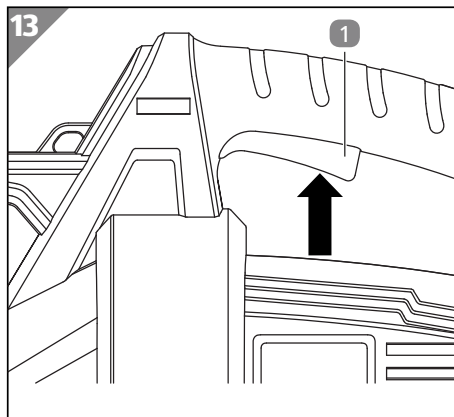
## Switching on and off

- Press the On/Off switch **1** in the direction of the arrow.

*The device is switched on.*

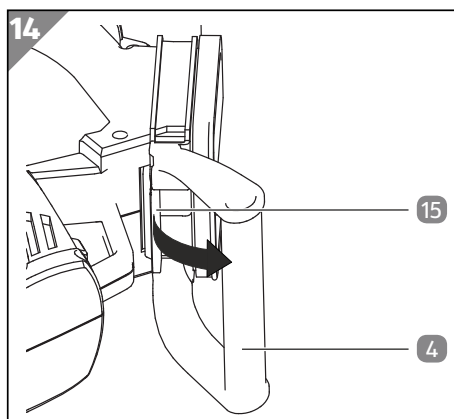
- Release the On/Off switch.

*The device is switched off.*



## Disassembly of the collection bag

1. Pull the fixation release **15** to release the handle **4**.



## Emptying the collection bag

**⚠ WARNING!**

With normal use, the collection bag can wear out over time. A worn collection bag can leak small objects and hit and injure the operator or bystanders.

- Check the collection bag regularly and replace it if it is damaged.
1. Empty the contents of the collection bag **6**.
  2. Turn the inside out and pat the collection bag thoroughly.

## Cleaning and maintenance

### **⚠WARNING!**

#### **Risk of electric shock!**

Improper handling of the device can cause electric shock.

- Always switch off the device and pull the mains plug out of the socket before cleaning the device.

### **NOTE!**

#### **Risk of short circuit!**

If water or other liquids enter the housing, they can cause a short circuit.

- Never immerse the device in water or other liquids.
- Make sure that no water or other liquid gets inside the housing.

### **NOTE!**

#### **Risk of damage!**

Improper handling can damage the device.

- Do not use any harsh cleaning products, brushes with metal or nylon bristles, or sharp or metallic cleaning materials such as knives, hard scrapers or similar. They may damage the surfaces.

Clean the device immediately after each work, otherwise sludge with leaf residues will harden and may no longer be able to be removed without disassembling the motor housing.

- Regularly clean the motor housing, tubes and ventilation slots with a soft brush or cloth.
- Once a year, hand wash the collection bag in soapy water and allow it to air dry.

## Testing

Regularly inspect the device and its accessories to ensure that they are in fault-free condition and

- the controls for damage.
- that the accessories are in perfect condition.
- that the vents are open and clean.

Do not operate a damaged device or accessory. Have the damaged device or accessory checked and repaired by an authorised service centre.

## Storage

**NOTE!**

### Risk of damage!

Improper storage of the device can result in damage.

- Allow the device to completely cool down.
  - Place the device so that it can't fall into water.
  - Store the device in a clean, dry, frost-protected place out of the reach of children.
1. Thoroughly clean the device (see "Cleaning").
  2. Always store device parts and accessories together with the device.
  3. If possible, pack the device in the original packaging.

## Transport

Transport the device and its accessories in the original packaging and protect them from blows and vibrations.

### Load securing for transport

- When transporting the device in vehicles, the device must be secured in accordance with the applicable regulations (load securing).

## Technical data

Model number:	LeafBlower
Item number:	XXXXXX
Voltage:	220-240V~50Hz
Power input:	3000 W
No-load speed:	9000-15000 / min
Max. Air volume:	13.2 m <sup>3</sup> /min
Max. Air speed:	160-270 km/h
Mulch ratio:	10:01
Collection bag capacity:	45 L
Protection class:	□/II
Machine weight:	3.4 kg

## Noise Information

Sound pressure level $L_{pA}$ :	90.2 dB(A)
Correction value $K_{pA}$ :	3 dB(A)
Sound power level $L_{wA}$ :	102.4 dB(A)
Correction value $K_{pA}$ :	3 dB(A)

## Vibration Information

Typical weighted vibration (ah):	4.27 m/s <sup>2</sup>
Correction value K:	1.5 m/s <sup>2</sup>

## Noise/vibration information

**⚠ WARNING!**

### Health hazard!

Working without hearing protection or protective clothing can damage your health.

- Wear hearing protection and appropriate protective clothing when working.

The specified total vibration value and the specified noise emission values have been measured according to a standardized test method (EN62841-1/EN62841-2-1) and can be used to compare one power tool with another. They can also be used for a preliminary assessment of exposure.

Measured according to DIN EN 62841-2-1. The noise level of 85 dB (A) is not exceeded. Protective measures are nevertheless recommended for the user (wear suitable hearing protection).

Also take into account possible deviations in the national regulations for the permitted workplace values.

**Warning!**

The vibration and noise emissions can deviate from the stated values during actual use of the power tool. This depends on the way the power tool is actually used and especially on the type of workpiece you are working on.

It is necessary to establish safety measures that protect the operator based on an estimate of the exposure during actual conditions of use (taking into account all parts of the operating cycle, such as periods when the power tool is switched off and periods when it is switched on but running without load).

Try to keep the exposure to vibrations and noise as low as possible. Examples of measures to reduce the exposure:

- wearing vibration-damping gloves while using the tool;
- limiting the working time;
- using accessories in good condition;
- regular maintenance and cleaning of the device;
- turning the device off while not in use;
- preventing overload of the device.

---

# Declaration of conformity

Originale EUKonformitätserklärung

**CE**

# Disposal

## Disposing of packaging



Dispose of packaging according to type. Sort the paperboard and cardboard as waste paper and the film as recyclable material.

## Dispose of old electrical device



This symbol indicates that this product may not be disposed of together with domestic waste in compliance with the (2012/19/EU) Regulation pertaining to waste electrical and electronic devices (WEEE). This product must be handed in at a collection point intended for the purpose. This can occur, for example, by handing it in at an authorised collecting point for the recycling of waste electrical and electronic equipment. Owing to potentially hazardous substances that are frequently contained in waste electronic equipment, incorrect handling of waste equipment may have a negative impact on the environment and on the health of human beings. By disposing of this product correctly, you are also contributing towards an efficient use of natural resources. Information on collecting points for waste equipment can be obtained from your local authority, an authorised institution for the disposal of waste electrical and electronic equipment or the waste collection services.



Great care has gone into the manufacture of this product and it should therefore provide you with years of good service when used properly. In the event of product failure within its intended use over the course of the first 3 years after date of purchase, we will remedy the problem as quickly as possible once it has been brought to our attention. In the unlikely event of such an occurrence, or if you require any information about the product, please contact us via our helpline support services, details of which are to be found both in this manual and on the product itself.



**PRODUCED IN CHINA FOR:**

ALDI STORES LTD. PO BOX 26, ATHERSTONE  
WARWICKSHIRE, CV9 2SH

---

ALDI STORES (IRELAND) LTD.  
PO BOX 726, NAAS, CO. KILDARE  
Visit us at [www.aldi.com](http://www.aldi.com)

**AFTER SALES SUPPORT**

XXXXXX



**GB** +44(0) 1904727501

**IE** +353(0) 19022605



[support@coreservice.co.uk](mailto:support@coreservice.co.uk)

MODEL:

LeafBlower

XX/2021

**3**

**YEAR  
WARRANTY**