



User Manual



PREMIUM PRESSURE WASHER



Original instructions

Great care has gone into the manufacturing of this product and it should therefore provide you with years of good service when used properly. In the event of product failure within its intended use over the course of the first 3 years after date of purchase, we will remedy the problem as quickly as possible once it has been brought to our attention. In the unlikely event of such an occurrence, or if you require any information about the product, please contact us via our helpline support services, details of which are to be found both in this manual and on the product itself.



PRODUCED IN CHINA FOR:
ALDI STORES LTD. PO BOX 26, ATHERSTONE
WARWICKSHIRE, CV9 2SH.

ALDI STORES (IRELAND) LTD.
PO BOX 726, NAAS, CO. KILDARE.
Visit us at www.aldi.com

AFTER SALES SUPPORT 84482

GB +44 (0) 1904 727506 IRE +353 (0) 124 751 50

support@coreservice.co.uk

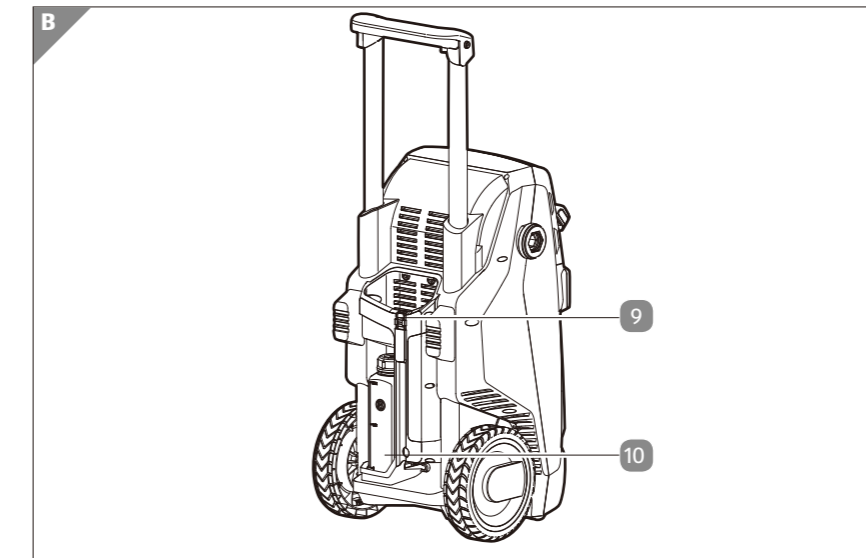
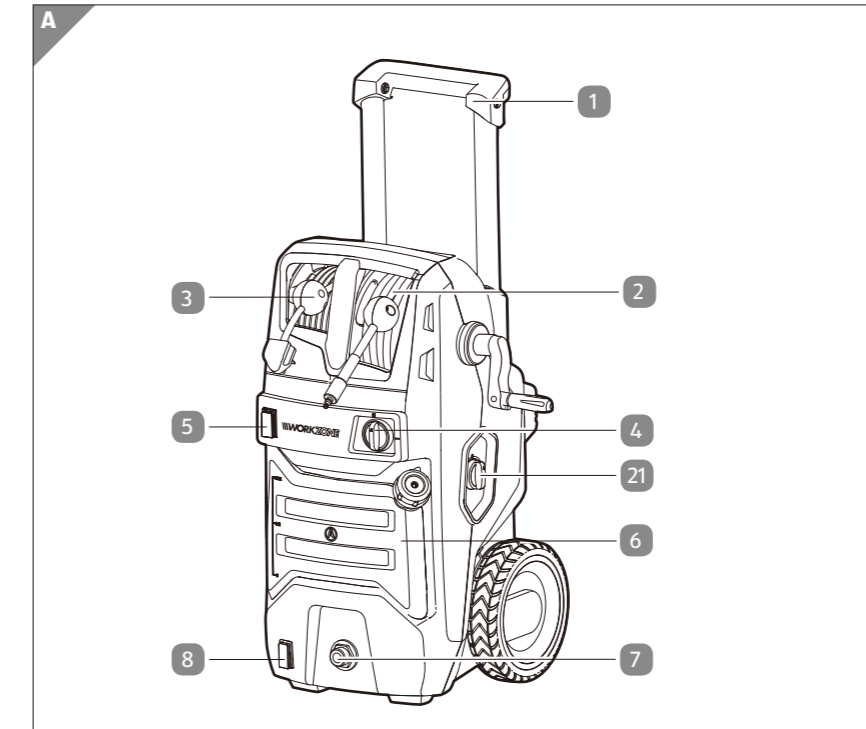
MODEL: Q1W-SP02-2300B 08/2018

3
YEAR
WARRANTY

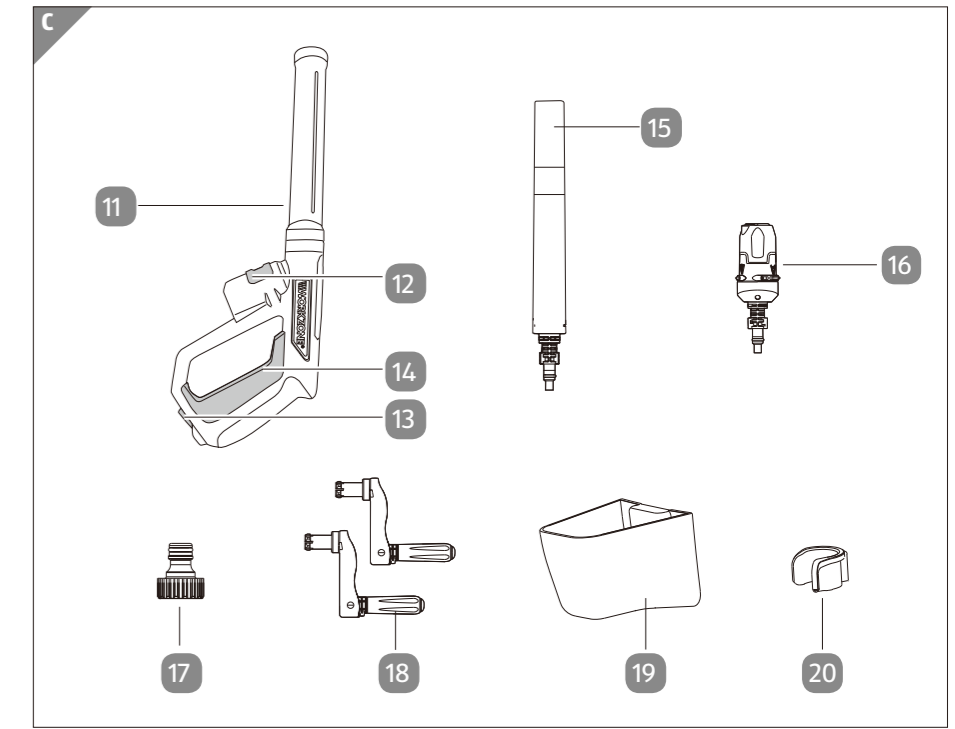
Contents

- Overview/Use 3**
- Package contents/device parts 8**
- General information 9**
 - Reading and storing the user manual 9
 - Explanation of symbols 9
- Safety 11**
 - Proper use 11
 - Safety notes 11
- First use 16**
 - Checking the washer and scope of supply 16
 - Assembling the washer 17
- Operation 19**
 - Starting and stopping 19
 - Working with the high pressure washer 20
- Application 21**
 - High pressure working 21
 - Using the spray gun 21
 - Using with 3-in-1 nozzle 21
 - Using detergent with the high pressure washer 22
- Maintenance 24**
 - Overview of cleaning 24
 - Maintenance 24
- Troubleshooting 25**
- Technical data 27**
- Spare part list 28**
- Disposal 29**
 - Disposing of the packaging 29
 - Disposing of the washer 29
- Declaration of conformity 30**
- Warranty**
 - Warranty card
 - Warranty conditions

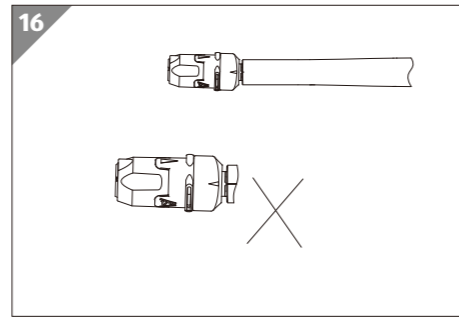
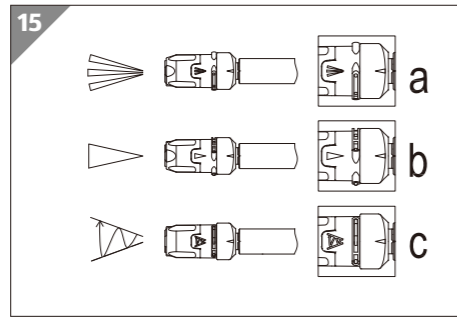
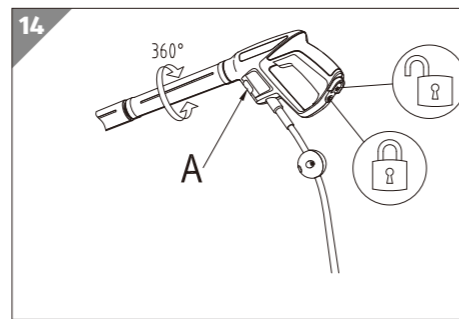
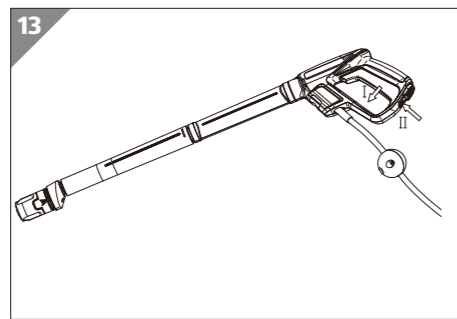
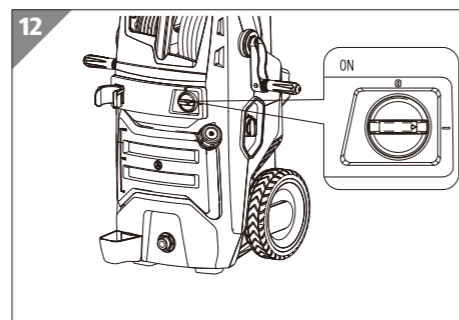
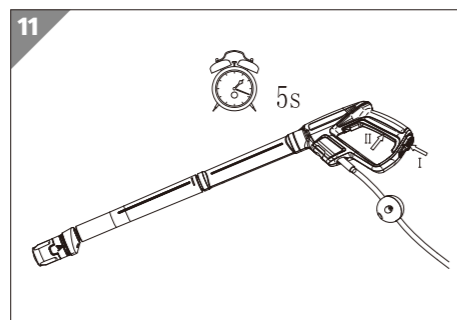
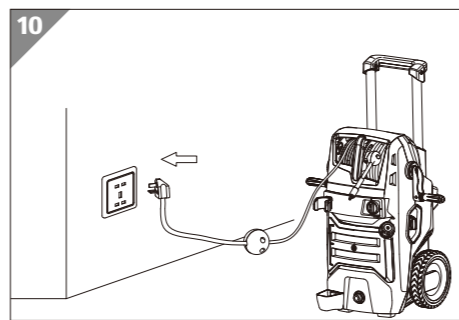
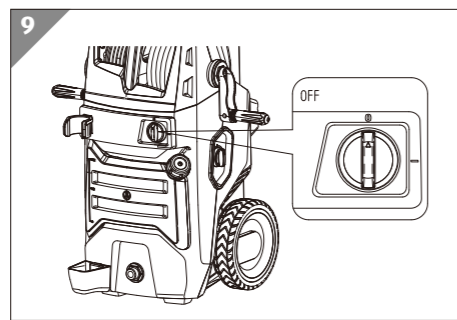
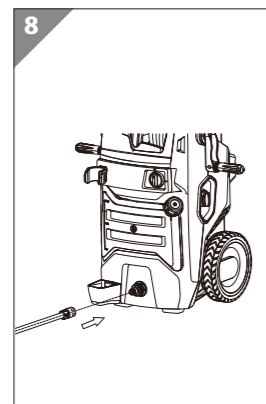
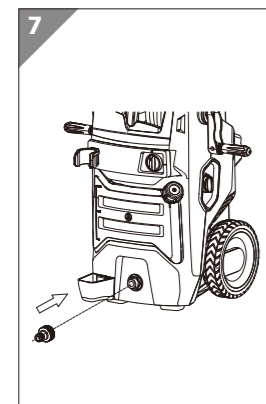
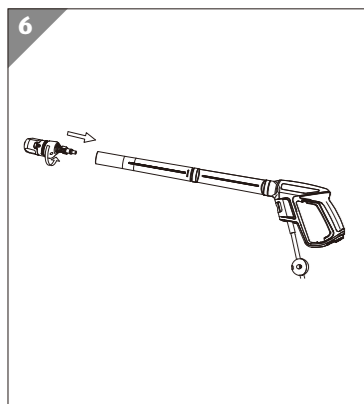
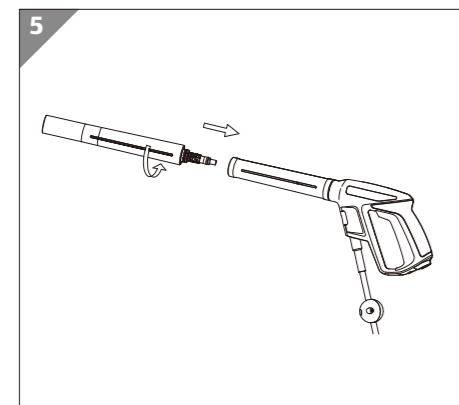
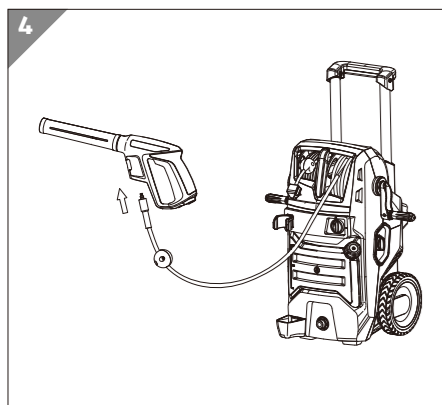
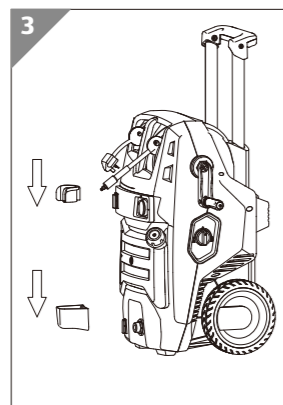
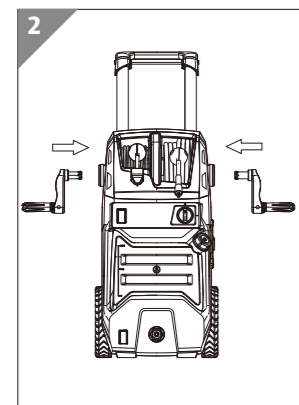
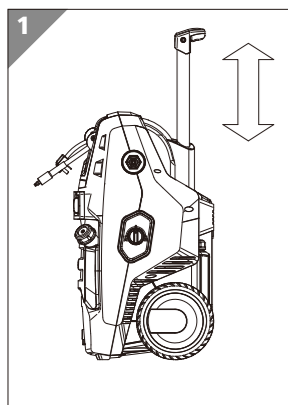
3



4

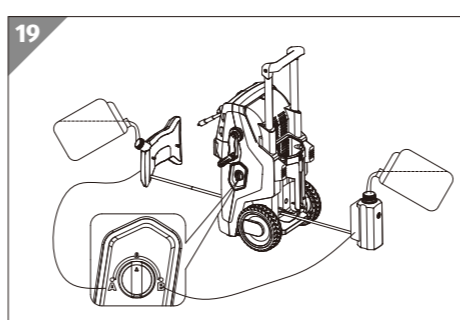
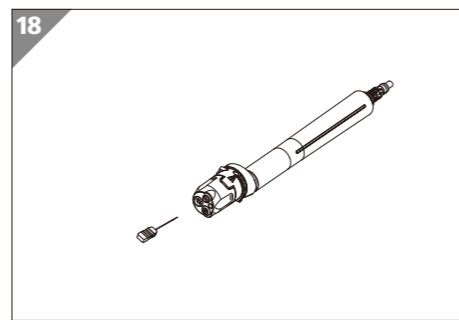
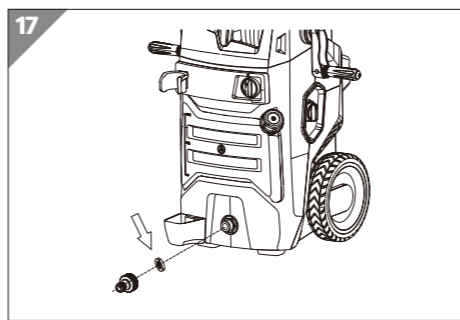


5



6

7



8

Package contents/device parts

- 1 Handle (height adjustment)
- 2 High-pressure hose
- 3 Mains cord
- 4 ON/OFF switch
- 5 Buckle A
- 6 Detergent bottle A
- 7 Screw connection for water inlet adaptor
- 8 Buckle B
- 9 Nozzle pin
- 10 Detergent bottle B
- 11 Spray gun
- 12 Spray gun connection (with a quick lock)
- 13 Safety lock
- 14 Trigger
- 15 Gun extension
- 16 3-in-1 nozzle
- 17 Water inlet adaptor
- 18 Hand crank x 2
- 19 Gun holder base
- 20 Gun holder
- 21 Detergent switch

General information

Reading and storing the user manual



This user manual accompanies this 2.3 kW pressure washer (referred to below only as “washer”).

It contains important information on start-up and handling.

Before using the washer, read the user manual carefully, particularly the safety instructions. Failure to comply with this user manual may result in severe injury or damage to the washer.

Keep the user manual for future use. If you pass the washer on to third parties, be sure to include this user manual.

You can also request this user manual in PDF format from our after sales support.

Explanation of symbols

The following symbols and signal words are used in this user manual, on the washer or on the packaging.

 **WARNING!**

This symbol designates a hazard with moderate degree of risk which may lead to death or severe injury if not avoided.

NOTICE!

This signal word warns against potential damages to property.



This symbol provides you with useful additional information regarding start-up or handling.



Caution! Read the user manual prior to start-up!



This symbol indicates that the mains plug must be disconnected from the power supply immediately if the cord is damaged, twisted or knotted, if it has been severed, or if the washer is left unsupervised, even for a short period of time.



This symbol indicates that the high-pressure jet must never be pointed directly at persons, animals, the washer or the electrical components.



This symbol indicates that the washer must not be connected directly to the drinking water network. If necessary, use it only with a water backflow preventer or an inlet hose set approved in accordance with IEC 61770.



This symbol indicates the sound level of the washer during operation.



This symbol indicates that the washer complies with the protection class II.



Declaration of conformity (see chapter “Declaration of conformity”): Products marked with this symbol meet all applicable Community regulations for the European Economic Area.

Safety

Proper use

The washer is designed only for cleaning facades, patios, walkways, garden tools, machines, vehicles and tools. It is only intended for private use and is not suitable for commercial use.

Use the washer only as described in this user manual. Any other use is deemed improper and may result in damage to property or even personal injury. The washer is not a children's toy.

The manufacturer or vendor accepts no liability for damage caused by improper or incorrect use.

Safety notes

 WARNING!

Risk of electric shock!

A faulty electrical installation or excessive mains voltage may result in an electric shock.

- It is recommended that the power supply for this washer be supplied either via a fault-current circuit breaker that interrupts the power supply as soon as the leakage current to the earth exceeds 30 mA for 30 ms, or that it be equipped with an earth tester.
- Connect the washer only if the mains voltage of the socket corresponds to the rating plate specification.
- Connect the washer only to an easily accessible socket to allow the washer to be disconnected from the mains quickly in the event of a fault.
- Do not operate the washer if it is visibly damaged or if the mains cord or mains plug is defective.
- If the supply cord of the washer is damaged, to avoid risks it must be replaced by the manufacturer or its after sales support or by a person with similar qualifications.

- Do not open the housing; instead, have a qualified professional carry out the repairs. Contact a qualified workshop for this. Liability and warranty claims are waived in the event of repairs performed by the user, improper connection of the device or incorrect operation.
- Only parts that comply with the original device information may be used for repairs. This washer contains electrical and mechanical parts which are essential for providing protection against sources of danger.
- Do not operate the washer with an external timer or separate telecontrol system.
- Do not immerse the washer or the mains cord or mains plug in water or other liquids.
- Never touch the mains plug with damp hands.
- Never pull the mains plug out of the socket by the mains cord; instead, do so by taking hold of the mains plug.
- Never use the mains cord as a carrying handle.
- Keep the washer, mains plug and mains cord away from open flames and hot surfaces.
- Lay the mains cord so that it does not pose a tripping hazard.
- Do not kink the mains cord and do not lay it over sharp edges.
- Never store the washer in such a way that there is a risk of it falling into a tub or a basin.
- Never reach to retrieve an electrical device if it has fallen in water. In this case, immediately disconnect the mains plug from the socket.
- Make sure that children do not insert any objects into the washer.
- Always switch the washer off and pull the mains plug out of the socket when you are not using it, when you intend to clean it, to replace parts, or in the event of a fault.
- THE PVC or polychloroprene-sheathed power cord, or extension cables(H05VV-F) are acceptable for use at temperatures at or above 0°C

-
- Attention! Do not operate the appliance at temperatures below 0°C.
 - Cables on extension cable drums should always be completely unwound to prevent overheating. Extension cables must comply with the below-mentioned requirements for length and cable dimensions:
 - 1.0mm² Max 12.5m.
 - 1.5mm² MAX 20m.
 - 2.5mm² MAX 30m.
 - The plug should be BS plug and the BUSE should be 13A.

 WARNING!

Danger for children and persons with impaired physical, sensory or mental capacities (e.g. partially disabled persons, older persons with reduced physical and mental capacities) or lack of experience and knowledge (e.g. older children).

- This washer may be used by persons with reduced physical, sensory or mental capacities or those lacking experience and knowledge if they are supervised or have been instructed in how to safely use the washer and have understood the risks associated with operating it.
- This washer must not be used by children. Children must be supervised to ensure that they do not play with the device.
- Do not leave the washer unattended during operation.
- Do not let children play with the packaging. Children may get caught in it while playing and suffocate.
- Do not allow children to play with the cleaner. Children could swallow small parts and choke.

 WARNING!

Danger of explosion!

The spraying of flammable liquids can cause an explosion.

- Do not spray any flammable liquids and do not use the washer in explosive environments.

⚠ WARNING!

Risk of electric shock!

Unsuitable extension cords may be dangerous and could result in an electric shock.

- If an extension cord is used, the mains plug and coupling must be water-tight and must never be placed in water. Use a cord reel that keeps the socket at least 60 mm above the ground.

⚠ WARNING!

Risk of injury!

High-pressure jets may be dangerous if used improperly.

- The high-pressure jet must not be pointed at persons, active electrical equipment or at the washer itself.
- Do not use the washer within range of other people unless they are wearing protective clothing.
- Do not point the washer at yourself or other persons to clean clothing or footwear.
- Before first start-up, familiarise yourself with the control elements and safety functions of the washer and the spray gun.
- When operating the washer, wear suitable personal protective equipment (PPE) such as safety footwear, safety gloves, protective helmets with visor and ear protection.
- Before you begin any kind of cleaning, check the work area for objects that could pose a risk. Remove all objects that you could stumble over from the work area, e.g. toys or garden furniture.
- Ensure that you have a stable stance, especially considering the possibility of kickback when you depress the trigger of the spray gun.

-
- Be particularly careful when cleaning tyres. Car tyres and tyre valves could be damaged or pop if handled improperly. Discolouration of the tyres indicates the first signs of damage. Damaged vehicle tyres and tyre valves pose a risk to life. Keep the high-pressure jet at a distance of at least 30 cm!
 - The high-pressure washer must not be used by children or untrained persons.

 WARNING!**Risk of injury!**

Even if you use this washer in compliance with applicable regulations, there are always residual risks. The following risks associated with the construction and design of this washer may occur:

- Injury to health attributed to hand and arm vibrations if the washer is used over a prolonged period of time or if it is not guided and maintained properly.
- Eye injury due to flying parts or particles of dirt blown about by the high-pressure jet. Always wear suitable eye protection when working with the washer.
- Skin injury from accidental contact with the high-pressure jet or from flying parts or particles of dirt blown about by it. Always wear suitable protective equipment, clothing and firm footwear when working with the washer.
- Injury to hearing due to noise exposure. Wear suitable ear protection to prevent damage to your hearing when working with the washer.

NOTICE!

Risk of damage!

Improper handling of the washer may result in damage to the product.

- Do not use the washer if a connection line or important parts of the washer are damaged, e.g. safety equipment, high-pressure hoses, spray gun, etc.
- High-pressure hoses, fittings and couplings are important for guaranteeing the safety of the device. Only use high-pressure hoses, fittings and couplings recommended by the manufacturer.
- Only use original spare parts from the manufacturer or approved by the manufacturer to guarantee the safety of the device.
- This washer was developed for use with detergents recommended by the manufacturer. Using other cleaners or chemicals can affect the safety of the washer.
- Place the washer on a stable, level surface. Operate it in an upright position only and never in a horizontal position.

First use

Checking the washer and package contents

NOTICE!

Risk of damage!

Be careful when opening the packaging with a sharp knife or other pointed objects, you may damage the washer or the accessories.

1. Carefully take the washer and the accessories out of the packaging.
2. Check to make sure that the delivery is complete (see **FIG A, B and C**).

3. Check whether the washer or the individual parts exhibit signs of damage. If any damage is visible, do not use the washer. Contact the manufacturer at the service address specified on the warranty card.

⚠ WARNING!**Risk of injury!**

The washer could be inadvertently activated and cause injury.

- Ensure that the washer is disconnected from the mains before you assemble the washer.

Assembling the washer**⚠ WARNING!****Health hazard!**

The washer must not be directly connected to the drinking water network because the return flow of water poses a risk to the drinking water.

Pull out the transport handle. (FIG 1)

Pull out the transport handle **1** until it audibly snaps into place.

Attach hand cranks. (FIG 2)

Fix hand cranks **18** to the hose and cord reel.

Assemble gun holder and gun holder base. (FIG 3)

Attach the gun holder **20** and gun holder base **19** to the pressure washer.

Connect the high pressure hose to the spray gun. (FIG 4)

Push the high pressure hose into the spray gun **11** until it locks with an audible “click”.

NOTICE!

Verify the connection by pulling on the high pressure hose.

Fit the gun extension to spray gun. (FIG 5)

Push the gun extension **15** into the spray gun **11** and twist 1/4 turn to lock in position.

Fit the 3-in-1 nozzle to the gun extension. (FIG 6)

Insert the 3-in-1 nozzle **16** into gun extension **15** and twist 1/4 turn to lock in position.

Assemble water inlet adapter. (FIG 7)

Attach the water inlet adapter **17** to the machine's water inlet. Tighten by hand only.

Connect garden hose and water inlet adapter. (FIG 8)

Attach a hose with a quick connect coupling (not included) to the high pressure washer.

Connect garden hose and water supply.

Attach the garden hose to the water supply and turn on the tap.

OFF position (FIG 9)

Make sure the ON (1)/OFF (0) switch **4** is in the OFF (0) position.

Connect socket. (FIG 10)

Insert the mains plug into the socket.

OPERATION

WARNING!

Wear suitable clothing, ear and eye protection when working with the equipment. Ensure that the equipment is functional before each use. Ensure that the mains voltage value matches the label on the equipment. Check the safe condition of the machine:

- Check for visual defects.
- Check that all parts of the machine have been securely fitted.
- Check that the water connector and the high-pressure pipes are tight.

Starting and stopping

Note: Position the high pressure washer on an area of flat ground. Stand in a secure and stable position.

Starting:

1. Open the water inlet valve Press the safety button on the spray gun and press the trigger until there is a steady stream of water. **(FIG 11)**
2. To switch the machine on, set the ON (1)/OFF (0) switch to ON (1) **(FIG 12)**.

Stopping:

3. For short breaks, release the trigger **(FIG 13)**. The machine will stop but will remain pressurised.
4. For longer breaks or stowing away the device, set the ON (1)/ OFF (0) switch to OFF (0) **(FIG 9)** and unplug the power supply
5. Close the water supply.
Before disconnecting any water connection, press the trigger to release the pressure.

Attention!

Risk of machine damage!

Never operate the machine without water inlet as dry running may damage the pump. Always use a water filter to protect the pump against damage from foreign bodies.

Working with the high pressure washer

Risk of fatal injury!

Use special care when cleaning tyres. Vehicle tyres/tyre valves may become damaged or burst when handled improperly. First signs of damage included discolorations on the tyre. Damaged vehicle tyres/tyre valves pose a life-threatening risk. Keep the jet at a distance of at least 30 cm!

Risk of fatal injury!

The high-pressure jet may be dangerous when handled improperly. Never direct the jet towards people or animals, live equipment or the machine itself.

Only use the high pressure washer with the supplied nozzle or other accessories recommended by the manufacturer.

Beware: Opening the trigger gun to start the high pressure washer might create a sudden kickback force and/or torque of the spray assembly. Hold with both hands.

The trigger gun safety lock prevents the trigger from being engaged accidentally.

The safety feature DOES NOT lock trigger in the ON position.

Clogging of the spray tip reduces the water flow and cleaning power. Immediate cleaning is required. You can clean the spray tips by carefully inserting a needle, or a thin, sharp instrument (e.g. paperclip) into the tip to rid it of deposits.

APPLICATION

High pressure working.

Hold the hand-held spray gun and the jet tube firmly with both hands. Be aware of recoil when switching on the high-pressure jet.

Unlock the safety button and press the trigger on the hand held spray gun.

The high-pressure pump will start running as soon as you operate the hand-held spray gun.

The high-pressure pump stops running as soon as you release the trigger on the hand-held spray gun.

Using the spray gun. (FIG 14)

To detach the high pressure hose from the spray gun.

Rotate the gun body 360 degrees. You can adjust the water spray direction by turning the gun body while cleaning.

NOTICE!

Always release the trigger before turning the spray gun.

Using with 3-in-1 nozzle. (FIG 15, FIG 16)

Choose the spray mode by turning the nozzle. The modes are:

- High flow mode (a)
Use this mode to disperse detergent at lower pressure
- High pressure mode (b)
This is the most common cleaning mode
- Turbo mode (c)

This auto-rotating jet is the most powerful for removing persistent stains, but may damage delicate surfaces. Use with caution!

When adjusting the nozzle, be sure to turn only the nozzle and not the whole gun.

NOTICE!

Always release the trigger of the gun before turning the spray gun.

NOTICE!

The nozzle must be used only when the nozzle is in the correct position, not when positioned between two different settings.

Using detergent with the high pressure washer

- Engage gun safety lock (**FIG 13**).
- Gently pull the detergent containers out of storage position, and fill with detergent. Push the containers back into storage position. (**FIG 19**)
- Turn the nozzle to low pressure marking as shown, configuring the machine to LOWPRESSURE. Unlock the trigger.

In case of skin or eye contact with detergents: rinse with an abundance of clean water

Fill the detergent bottles with detergent. In case of concentrate, dilute detergent as instructed.

The model Q1W-SP02-2300B is equipped with two detergent bottles. This allows for storage of different detergents for special applications. Use the detergent switch **21** to select the required detergent. Turn on the pressure washer. Pull trigger to operate unit. The liquid detergent will automatically mix with water and be discharged through the nozzle. Apply detergent to a DRY work surface, from bottom to top.

Allow detergent to remain on the surface for a short time before rinsing. Do not allow detergent to dry on surface

Rinse with clean water under high pressure. On a vertical surface, rinse from the bottom up, then rinse from the top down to avoid streaking.

Keep nozzle 6-8" (15-20 cm) away from the work surface, at a 45° angle. When you have finished using the detergent injection system, fill detergent bottle with clean water. Siphon water at low pressure for one minute, so that all detergent is flushed through system. Remove detergent bottle, and rinse it until it is thoroughly cleaned.

MAINTENANCE

Overview of cleaning

The pressure washer is equipped with a water filter (included in the water inlet adapter) to protect the pump. If the filter is not kept clean, the water flow to the machine will be restricted and the pump may be damaged.

To clean water filter, remove inlet adapter and take the filter out.

(FIG 17)

- Rinse filter until it is free of debris and blockage.
- Replace the filter and inlet adapter.

To clean the machine, wipe the unit with a slightly damp cloth. Do not clean the machine using a high-pressure water jet. Clean the nozzle.**(FIG 18)**

Maintenance

The machine is maintenance-free.

Storing

Store the machine in a dry and well ventilated place.

When placing the machine out of service for an extended period of time, remove the cleaning agent and drain all the water left in the hoses.

Never store the device below 0 °C!

Even minor amounts of water remaining in the pump can cause severe damage when freezing inside the machine or accessories.

Transport

If shipping, use the original packaging wherever possible.

Troubleshooting

⚠ WARNING!

Risk of injury!

Tampering with the washer could pose a risk to life from electric shock, damage the washer and void warranty claims.

- Do not make any modifications to the washer.

The following table provides assistance in the event of malfunctions. If the solutions provided here are unsuccessful, contact the manufacturer or an authorised service centre at the service address specified on the warranty card.

Fault	Cause	Solution
No function	The power supply is interrupted.	Check the power connection, mains cord 3 and fuse; have repairs performed by an electrician if necessary.
	The washer is switched off.	Move the ON/OFF switch 4 to ON.
	Individual components are defective.	Contact the manufacturer or an authorised service centre at the service address specified on the warranty card.
Washer is working, but keeps cutting out.	The mains cord 3 is damaged.	Contact the manufacturer or an authorised service centre at the service address specified on the warranty card.
	An internal electrical connection has become loose.	
	The ON/OFF switch 4 is defective.	

Fault	Cause	Solution
No pressure or only slight pressure is built up.	There is air in the washer.	Operate the washer without connecting the spray gun 11 until the water is dispensed without bubbles.
	There is no water or an insufficient supply of water.	Check your water connection.
		Check the water inlet hose for leaks or blockage.
	The dirt filter is clogged.	Clean the dirt filter; see section “Cleaning the dirt filter”.
Large fluctuations in pressure	The high-pressure nozzle is clogged.	Clean the high-pressure nozzle; see section “Cleaning the high-pressure nozzle”.
	There is insufficient water pressure.	Check the water pressure.
	The water inlet hose is kinked.	Check the water inlet hose.
The washer has a leak.	The connections of the water inlet hose are loose.	Tighten the adapter on the screw connection for the water inlet adapter 17 and the screw connection on your water tap until hand-tight.
	The pump or the internal connections have a leak.	Contact the manufacturer or an authorised service centre at the service address specified on the warranty card.

Technical data

Model:	Q1W-SP02-2300B
Article number:	84482
Power consumption:	2300W
Operating pressure:	max. pressure: 15 MPa(150bar)
Nominal pressure:	10 MPa (100bar)
Input pressure/temperature max.:	0.6 MPa (6bar)/40°C
Sound power level:	L_{WA} 89.3dB (uncertainty K_{WA} : 3 dB)
Guaranteed sound power level:	L_{WA} 96dB
Vibration emission value:	≤ 1.2 m/s ² (uncertainty K: 1.5 m/s ²)
Water consumption:	max. 460 l/h
Length of power cord:	5 m
Cord specification:	H05VV-F 2×1.0 mm ²
IP Code:	IPX5
Protection class:	II
Weight:	23.5 kg
Motor specification:	Induction motor, AC 230 - 240 V~ / 50 Hz
Pump specification:	Aluminium with safety valve; 3-piston pump; piston made of hardened stainless steel; wobbling disc material made of metal

The values for noise and vibration emissions were determined in accordance with EN 60335-2-79:2012.

Spare part list

Spare part	Part number (see Package contents page 6)	Order number
Hand crank (foldable)	18	1168B01
Nozzle pin	9	1142005
Water inlet adapter	17	1117005
Detergent bottle A	6	1183015
Detergent bottle B	10	1183016
Spray gun	11	1106621
Gun extender	15	1106608
3-in-1 nozzle	16	1106620
Wheel	n/a	1176007

Disposal

Disposing of the packaging



Dispose of the packaging separated into single type materials. Dispose of cardboard and carton as waste paper and film via the recyclable material collection service.

Disposing of the washer

(Applicable in the European Union and other European states with systems for the separate collection of reusable waste materials)



Old devices must not be disposed of with household waste!

If the washer can no longer be used, every **user is required by law to dispose of old devices separately from their household waste**, e.g. at a collection point in their community/borough. For this reason, electrical equipment is marked with the symbol shown here.

Declaration of conformity

EC DECLARATION OF CONFORMITY

We,

SUMEC Hardware & Tools Co., Ltd.
1 Xinghuo RD., Nanjing, China
And our branch office
SUMEC UK Co., Ltd.
Unit A&B, Escrick Business Park
Escrick, York YO 19 6FD

herewith declare under our own, sole responsibility that our product

High Pressure Water Cleaner
Model no. Q1W-SP02-2300B

complies with the following directives:

RoHS Directive 2011/65/UE
Machinery Directive 2006/42/EC
EMC Directive 2014/30/EU
NOISE Directive 2000/14/EC
Measured sound power level: 89.3 dB(A), K=3 dB(A)
Guaranteed sound power level: 96 dB(A)
Conformity assessment method to Annex V / Directive 2000/14/EC amended by 2005/88/EU

Applied harmonized standards:

EN 60335-1:2012+A11:2014
EN 60335-2-79:2012
EN 62233:2008
EN55014-1: 2017
EN55014-2: 2015
EN61000-3-2: 2014
EN61000-3-3: 2013

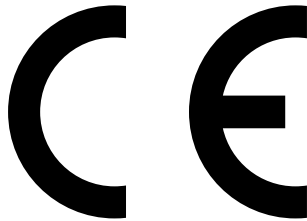
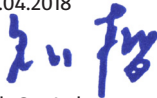
Document representative:

Hu Jun
SUMEC Hardware & Tools Co., Ltd.
1 Xinghuo RD., Nanjing, China

Place, date: Nanjing, 19.04.2018

Authorised Signature:

Liu Kai
General Manager
SUMEC Hardware & Tools Co., Ltd.



*)The object of the declaration described above is in conformity with Directive 2011/65/EU of the European Parliament and of the Council of 8 June 2011 on the restriction of the use of certain hazardous substances in electrical and electronic equipment.