



User Manual

Great care has gone into the manufacture of this product and it should therefore provide you with years of good service when used properly. In the event of product failure within its intended use over the course of the first 3 years after date of purchase, we will remedy the problem as quickly as possible once it has been brought to our attention. In the unlikely event of such an occurrence, or if you require any information about the product, please contact us via our helpline support services, details of which are to be found both in this manual and on the product itself.



PRODUCED IN CHINA FOR:
ALDI STORES LTD. PO BOX 26, ATHERSTONE
WARWICKSHIRE, CV9 2SH

ALDI STORES (IRELAND) LTD.
PO BOX 726, NAAS, CO. KILDARE
Visit us at www.aldi.com

AFTER SALES SUPPORT

805353



GB +44(0) 1904727501 IE +353(0) 19022605



support@coreservice.co.uk

MODEL:
YT-7251A

03/2021

3
YEAR
WARRANTY

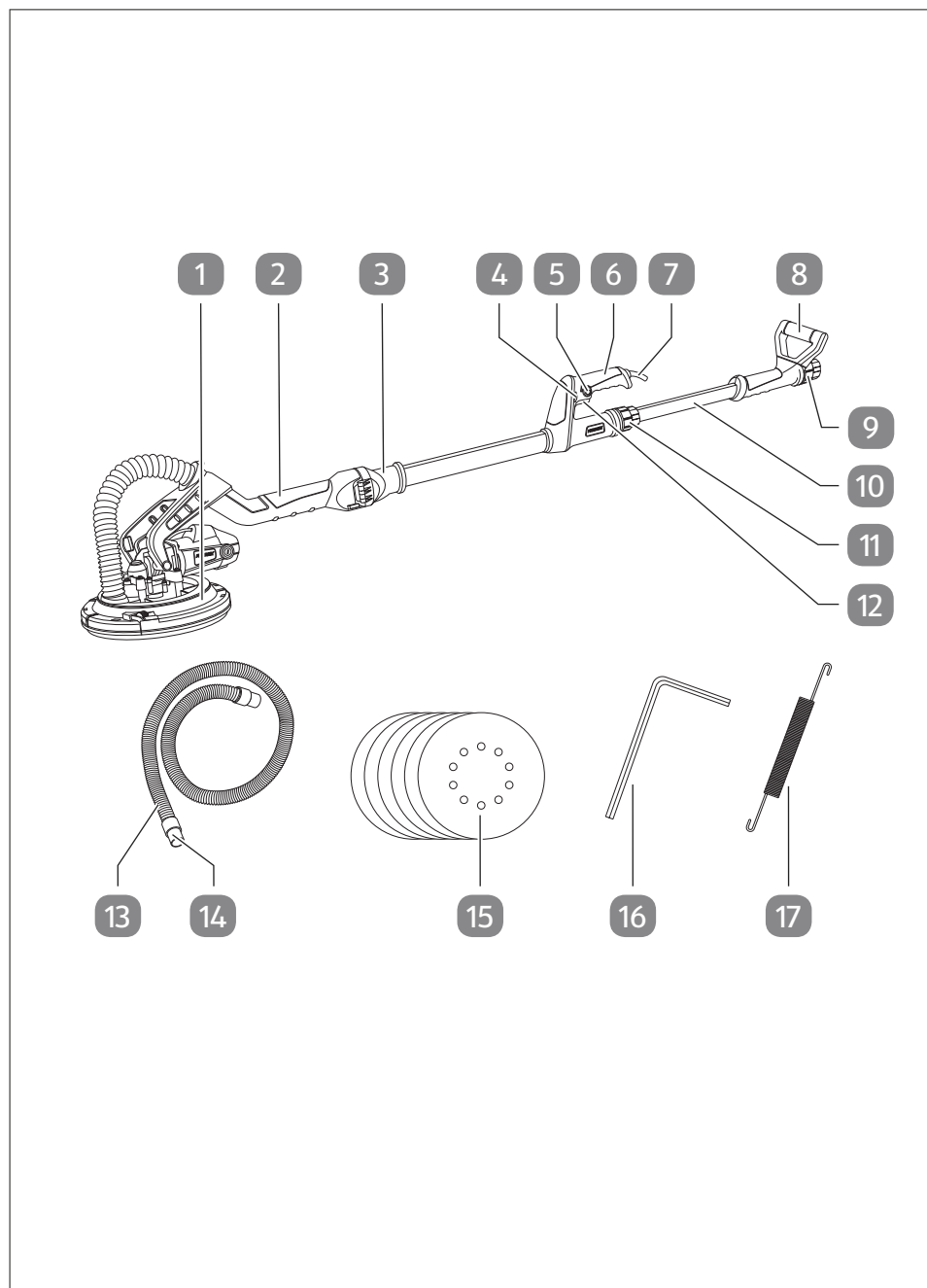
FERREX®

DRYWALL SANDER



Original User Manual

Overview



Package Content List

- 1 x Drywall Sander
- 1 x Support Spring
- 1 x 4 m Suction hose
- 2 x Hose adaptor (already connected to the hose)
- 6 x Sanding Paper
- 1 x Set of spare coal brushes
- 1 x Allen key
- 1 x Instruction Manual
- 1 x Warranty Certificate

Package contents/device parts

- | | |
|-----------------------------|---|
| 1 Sanding pad | 10 Extension handle |
| 2 Front handle | 11 Extension handle lock |
| 3 Collapsible handle lock | 12 On/off trigger |
| 4 Variable speed dial | 13 Dust extraction hose |
| 5 Lock-on button | 14 Hose adaptor |
| 6 Main handle | 15 Sanding paper |
| 7 Power cord | 16 Allen key |
| 8 Additional handle | 17 Support spring |
| 9 Dust extraction hose lock | 18 Spare coal brushes (not illustrated) |



Table of content

Overview	2
Package Content List	3
Package contents/device parts	3
Intended Use	6
Residual risk	6
Unpacking	6
Explanation of symbols	7
Safety Instructions	8
General Power Tool Safety Warnings.....	9
Safety warnings common for sanding operation.....	11
Kickback and related warnings.....	13
Safety warnings for sanding operations.....	13
Assembly	14
Assembling the handle.....	14
Fitting the extension handle.....	14
Selecting the right sanding paper.....	15
Attaching and removing the sanding paper.....	15
Connecting the dust extraction hose.....	15
Installing the support spring	16
Operation	16
Switching on/off.....	16
Continuous operation.....	16
Adjusting the speed of the product.....	17
Grinding.....	17
Cleaning, Maintenance and Storage	17
Cleaning.....	17
Maintenance.....	18
Storage.....	18
Troubleshooting	19
Technical Data	20
Declaration of conformity	21
Disposal	22
Disposing of packaging.....	22
Dispose of old electrical device.....	22

Intended Use

This drywall sander (referred to below only as "product") is designed for sanding large areas of plasterboard as a preparation before painting or wallpapering. It is designed for domestic use and is not designed for commercial, trade or industrial use.

Only use the product as described in this instruction manual. Any other use is deemed improper and may result in damage to property or even personal injury. The product is not a children's toy.

The manufacturer or vendor accepts no liability for damage caused by improper or incorrect use.

Please read and familiarise yourself with this user manual before using the product.

This instruction manual must be passed on together with the product to the next person to use it.

The tool must only be used for its prescribed purpose. Any use other than those mentioned in this instruction manual will be considered a case of misuse. The user, and not the manufacturer, shall be liable for any damage or injury resulting from such cases of misuse.

The manufacturer shall not be liable for any unauthorised changes made to the tool, nor for any damage resulting from such changes.

Residual risk

Even if you use the product properly per the instructions provided and following all safety notes, there are always residual risks. The following risk may occur:

Residual risks may arise when using the tool which may not be included in the safety warnings. These risks can arise from misuse, prolonged use etc.

Even with the application of the relevant safety regulations and the implementation of safety devices, certain residual risks cannot be avoided. These included:

- Injuries caused by touching any rotating/moving parts.
- Injuries caused when changing any parts, blades or accessories.
- Injuries caused by prolonged use of a tool. When using any tool for prolonged periods ensure you take regular breaks.
- Impairment of hearing.
- Health hazards caused by breathing dust developed when using your tool (example: working with wood, especially oak, beech and MDF.)

Unpacking

Due to modern mass production techniques, it is unlikely that your product is faulty or that a part is missing. If you find anything wrong, do not operate the product until

the parts have been replaced or the fault has been rectified. Failure to do so could result in serious personal injury.

Explanation of symbols

The following symbols and signal words are used in this user manual, on the compressor or on the packaging.

WARNING!

This signal symbol/word denotes a hazard with an average risk level that could lead to death or severe injury if it is not avoided.

NOTE!

This signal word provides a warning about potential material damage.



This symbol provides you with useful additional information on handling and use.



Read the operating manual.



Declaration of conformity (see chapter “Declaration of conformity”): Products marked with this symbol meet all the applicable Community regulations of the European Economic Area.



Wear eye protection.



Wear ear protection.



Wear a dust mask.



This symbol identifies devices that belong to the protection class II.

Safety Instructions

Read the entire owner's manual carefully and make sure you know how to switch the appliance off in an emergency, before operating the appliance.

⚠ WARNING!

Do not connect the product to a power source until you have read and understood the entire owner's manual.

⚠ WARNING!

When using mains-powered appliances, basic safety precautions, including the following, should always be followed to reduce the risk of fire, electric shock, personal injury and material damage.

This appliance is not intended for use by persons (including children) with reduced physical, sensory or mental capabilities, or lack of experience and knowledge, unless they have been given supervision or instruction concerning use of the appliance by a person responsible for their safety.

⚠ WARNING!

Children should be supervised to ensure that they do not play with the appliance.

Electrical Safety:

The product's electric motor has been designed for 230-240V only. Always check that the power supply corresponds to the voltage on the rating plate.

If the supply cord is damaged, it must be replaced by the manufacturer or a certified electrician in order to avoid a hazard.

Do not misuse the mains lead by carrying the tool by the lead, hanging it from the lead, or by pulling on the lead to remove the plug. Keep the lead away from heat, oil, sharp edges or moving tool parts. Damaged or twisted leads increase the risk of an electric shock.

Using an Extension Lead:

Always use an approved extension lead suitable for the power input of this tool. Before use, inspect the extension lead for signs of damage, wear and ageing. Replace the extension lead if damaged or defective. When using an extension lead on a reel, always unwind the lead completely. Use of an extension lead not suitable for the power input of the tool or which is damaged or defective may result in a risk of fire and electric shock.

General Power Tool Safety Warnings

⚠ WARNING!

Read all safety warnings and all instructions. Failure to follow the warnings and instructions may result in electric shock, fire and/or serious injury.

Please save this instruction manual. Save all warnings and instructions for future reference. Please ensure you give this instruction manual to the next person that uses this product.

The term "power tool" in the warnings refers to your mains-operated (corded) power tool or battery-operated (cordless) power tool.

1. Work Area Safety:

- a. **Keep work area clean and well lit.** Cluttered or dark areas invite accidents.
- b. **Do not operate power tools in explosive atmospheres, such as in the presence of flammable liquids, gases or dust.** Power tools create sparks which may ignite the dust or fumes.
- c. **Keep children and bystanders away while operating a power tool.** Distractions can cause you to lose control.

2. Electrical Safety:

- a. **Power tool plugs must match the outlet. Never modify the plug in any way. Do not use any adapter plugs with earthed (grounded) power tools.** Unmodified plugs and matching outlets will reduce the risk of electric shock.
- b. **Avoid body contact with earthed or grounded surfaces, such as pipes, radiators, ranges and refrigerators.** There is an increased risk of electric shock if your body is earthed or grounded.
- c. **Do not expose power tools to rain or wet conditions.** Water entering a power tool will increase the risk of electric shock.
- d. **Do not abuse the cord. Never use the cord for carrying, pulling or unplugging the power tool. Keep cord away from heat, oil, sharp edges or moving parts.** Damaged or entangled cords increase the risk of electric shock.
- e. **When operating a power tool outdoors, use an extension cord suitable for outdoor use.** Use of a cord suitable for outdoor use reduces the risk of electric shock.
- f. **If operating a power tool in a damp location is unavoidable, use a residual current device (RCD) protected supply.** Use of an RCD reduces the risk of electric shock.

3. Personal Safety:

Safety Instructions

- a. **Stay alert, watch what you are doing and use common sense when operating a power tool. Do not use a power tool while you are tired or under the influence of drugs, alcohol or medication.** A moment of inattention while operating power tools may result in serious personal injury.
- b. **Use personal protective equipment. Always wear eye protection.** Protective equipment such as a dust mask, non-skid safety shoes, hard hat, or hearing protection used for appropriate conditions will reduce personal injuries.
- c. **Prevent unintentional starting. Ensure the switch is in the off-position before connecting to power source and/or battery pack, picking up or carrying the tool.** Carrying power tools with your finger on the switch or energising power tools that have the switch on invites accidents.
- d. **Remove any adjusting key or wrench before turning the power tool on.** A wrench or a key left attached to a rotating part of the power tool may result in personal injury.
- e. **Do not overreach. Keep proper footing and balance at all times.** This enables better control of the power tool in unexpected situations.
- f. **Dress properly. Do not wear loose clothing or jewellery. Keep your hair, clothing and gloves away from moving parts.** Loose clothes, jewellery or long hair can be caught in moving parts.
- g. **If devices are provided for the connection of dust extraction and collection facilities, ensure these are connected and properly used.** Use of dust collection can reduce dust-related hazards.

4. Power Tool Use and Care:

- a. **Do not force the power tool. Use the correct power tool for your application.** The correct power tool will do the job better and safer at the rate for which it was designed.
- b. **Do not use the power tool if the switch does not turn it on and off.** Any power tool that cannot be controlled with the switch is dangerous and must be repaired.
- c. **Disconnect the plug from the power source and/or the battery pack from the power tool before making any adjustments, changing accessories, or storing power tools.** Such preventive safety measures reduce the risk of starting the power tool accidentally.
- d. **Store idle power tools out of the reach of children and do not allow persons unfamiliar with the power tool or these instructions to operate the power tool.** Power tools are dangerous in the hands of untrained users.
- e. **Maintain power tools. Check for misalignment or binding of moving parts, breakage of parts and any other condition that may affect the power tool's**

operation. If damaged, have the power tool repaired before use. Many accidents are caused by poorly maintained power tools.

- f. **Keep cutting tools sharp and clean.** Properly maintained cutting tools with sharp cutting edges are less likely to bind and are easier to control.
- g. **Use the power tool, accessories and tool bits etc. in accordance with these instructions, taking into account the working conditions and the work to be performed.** Use of the power tool for operations different from those intended could result in a hazardous situation.

5. Service:

- a. **Have your power tool serviced by a qualified repair person using only identical replacement parts.** This will ensure that the safety of the power tool is maintained.
- b. **If the supply cord is damaged, it must be replaced by the manufacturer, its service agent, or a similarly qualified person in order to avoid a hazard.**

Safety warnings common for sanding operation

- a. **This power tool is intended to function as a sander. Read all safety warnings, instructions, illustrations and specifications provided with this power tool.** Failure to follow all instructions listed below may result in electric shock, fire and/or serious injury.
- b. **Operations such as grinding, sanding, wire brushing, polishing or cutting-off are not recommended to be performed with this power tool.** Operations for which the power tool was not designed may create a hazard and cause personal injury.
- c. **Do not use accessories which are not specifically designed and recommended by the tool manufacturer.** Just because the accessory can be attached to your power tool, it does not assure safe operation.
- d. **The rated speed of the accessory must be at least equal to the maximum speed marked on the power tool.** Accessories running faster than their rated speed can break and fly apart.
- e. **The outside diameter and the thickness of your accessory must be within the capacity rating of your power tool.** Incorrectly sized accessories cannot be adequately guarded or controlled.
- f. **The arbour size of wheels, flanges, backing pads or any other accessory must properly fit the spindle of the power tool.** Accessories with arbour holes that do not match the mounting hardware of the power tool will run out of balance, vibrate excessively and may cause loss of control.
- g. **Threaded mounting of accessories must match the grinder spindle thread. For accessories mounted by flanges, the arbour hole of the accessory must**

Safety Instructions

- fit the locating diameter of the flange.** Accessories that do not match the mounting hardware of the power tool will run out of balance, vibrate excessively and may cause loss of control.
- h. **Do not use a damaged accessory. Before each use inspect the accessory such as abrasive wheels for chips and cracks, backing pad for cracks, tear or excess wear, wire brush for loose or cracked wires. If power tool or accessory is dropped, inspect for damage or install an undamaged accessory. After inspecting and installing an accessory, position yourself and bystanders away from the plane of the rotating accessory and run the power tool at maximum no-load speed for one minute.** Damaged accessories will normally break apart during this test time.
 - i. **Wear personal protective equipment. Depending on application, use face shield, safety goggles or safety glasses. As appropriate, wear dust mask, hearing protectors, gloves and workshop apron capable of stopping small abrasive or workpiece fragments.** The eye protection must be capable of stopping flying debris generated by various operations. The dust mask or respirator must be capable of filtering particles generated by your operation. Prolonged exposure to high intensity noise may cause hearing loss.
 - j. **Keep bystanders a safe distance away from work area. Anyone entering the work area must wear personal protective equipment.** Fragments of workpiece or of a broken accessory may fly away and cause injury beyond immediate area of operation.
 - k. **Hold the power tool by insulated gripping surfaces only, when performing an operation where the cutting accessory may contact hidden wiring or its own cord.** Cutting accessory contacting a "live" wire may make exposed metal parts of the power tool "live" and could give the operator an electric shock.
 - l. **Position the cord clear of the spinning accessory.** If you lose control, the cord may be cut or snagged and your hand or arm may be pulled into the spinning accessory.
 - m. **Never lay the power tool down until the accessory has come to a complete stop.** The spinning accessory may grab the surface and pull the power tool out of your control.
 - n. **Do not run the power tool while carrying it at your side.** Accidental contact with the spinning accessory could snag your clothing, pulling the accessory into your body.
 - o. **Regularly clean the power tool's air vents.** The motor's fan will draw the dust inside the housing and excessive accumulation of powdered metal may cause electrical hazards.
 - p. **Do not operate the power tool near flammable materials.** Sparks could ignite these materials.

- q. **Do not use accessories that require liquid coolants.** Using water or other liquid coolants may result in electrocution or shock.

Kickback and related warnings

Kickback is a sudden reaction to a pinched or snagged rotating wheel, backing pad, brush or any other accessory. Pinching or snagging causes rapid stalling of the rotating accessory which in turn causes the uncontrolled power tool to be forced in the direction opposite of the accessory's rotation at the point of the binding.

For example, if an abrasive wheel is snagged or pinched by the workpiece, the edge of the wheel that is entering into the pinch point can dig into the surface of the material causing the wheel to climb out or kick out. The wheel may either jump toward or away from the operator, depending on direction of the wheel's movement at the point of pinching. Abrasive wheels may also break under these conditions. Kickback is the result of power tool misuse and/or incorrect operating procedures or conditions and can be avoided by taking proper precautions as given below.

- a. **Maintain a firm grip on the power tool and position your body and arm to allow you to resist kickback forces. Always use auxiliary handle, if provided, for maximum control over kickback or torque reaction during start-up.** The operator can control torque reactions or kickback forces, if proper precautions are taken.
- b. **Never place your hand near the rotating accessory.** Accessory may kickback over your hand.
- c. **Do not position your body in the area where power tool will move if kickback occurs.** Kickback will propel the tool in direction opposite to the wheel's movement at the point of snagging.
- d. **Use special care when working corners, sharp edges etc. Avoid bouncing and snagging the accessory.** Corners, sharp edges or bouncing have a tendency to snag the rotating accessory and cause loss of control or kickback.
- e. **Do not attach a saw chain woodcarving blade or toothed saw blade.** Such blades create frequent kickback and loss of control.

Safety warnings for sanding operations

- a. **Do not use excessively oversized sanding disc paper. Follow manufacturers recommendations, when selecting sanding paper.** Larger sanding paper extending beyond the sanding pad presents a laceration hazard and may cause snagging, tearing of the disc or kickback.

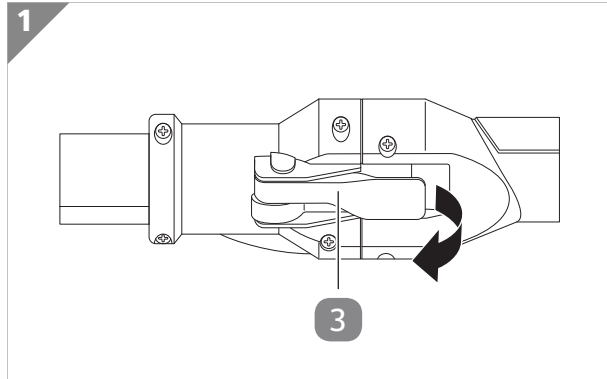
Assembly

⚠ WARNING!

Always disconnect the plug from the power source before making any adjustment or attaching any accessories.

Assembling the handle

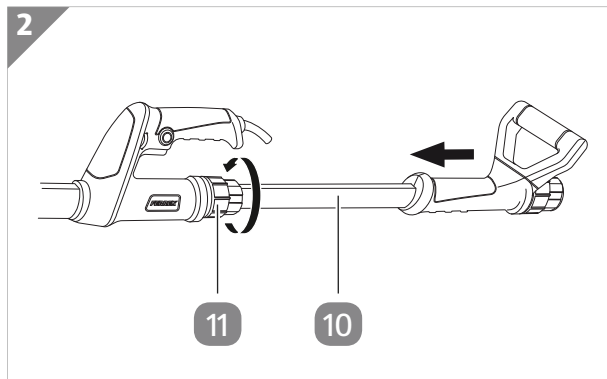
1. The product features a collapsible handle to enable compact storage. To operate the product, this handle will have to be locked into the operating position.
2. Unfold the collapsible handle so that the shaft is in a continuous straight line.
3. Secure in place using the collapsible handle lock **3**.



4. To collapse the handle again for storage, unlock the collapsible handle lock **3**.
5. Then fold the handle for storage.

Fitting the extension handle

1. The rear extension handle **10** can provide additional support when sanding surfaces high above your head or far away from your body.
2. Loosen the extension handle lock **11** by rotating it anti-clockwise.
3. Insert the extension handle **10** into the extension handle lock **11**.



4. Adjust the length of the extension handle **10** or rotate it into the desired position.

5. Rotate the extension handle lock **11** clockwise to secure the extension handle **10**.

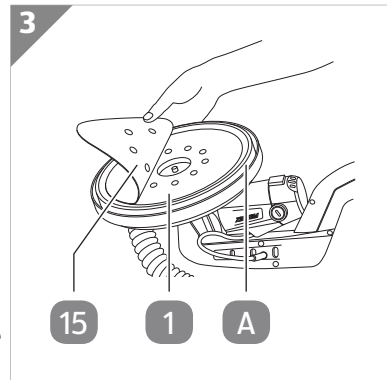
Note: The product can also be used without the extension handle.

Selecting the right sanding paper

1. The grain size of the sanding paper is specified on the back of the sanding paper. The smaller the number, the coarser is the grain.
2. Use sand paper with coarse grain for rough grinding and sand paper with fine grain for finishing grinding.
3. Start the grinding with coarse grain sand paper and complete the grinding process with fine grain sand paper.

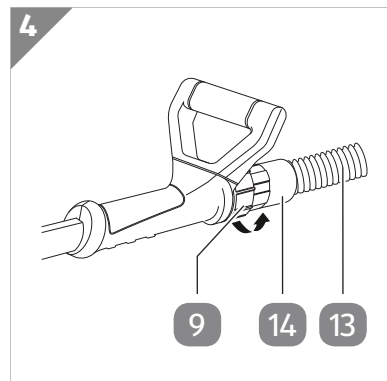
Attaching and removing the sanding paper

1. The sanding pad **1** features a hook & loop system to allow quick and easy sanding paper **15** changes.
2. Align the sanding paper **15** with the sanding pad **1**, ensuring the extraction holes on the sanding pad **1** align with the holes in the sanding paper **15**.
3. Press the sanding paper **15** firmly onto the sanding pad **1**.
4. To remove the sanding paper **15**, peel off the sanding paper **15**, starting from the edge.



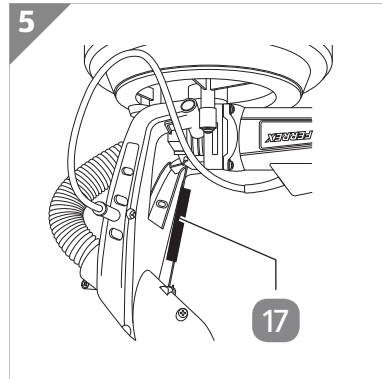
Connecting the dust extraction hose

1. The product comes with a dust extraction hose **13** that can be fitted to a dust extraction unit or vacuum cleaner to minimise the dust in the air and on the working surface.
2. Loosen the dust extraction hose lock **9** on the extension handle **10** or the extension handle lock **11** by rotating it anti-clockwise.
3. Insert the extraction hose adaptor **14** into the extraction hose lock **9** or the extension handle lock **11**.
4. Rotate the extraction hose lock **9** or the extension handle lock **11** clockwise to secure the dust extraction hose **13**.



Installing the support spring

1. It is easier to sand the ceiling when the sanding pad is held at an angle to the handle by installing the support spring **17**.
2. To install the support spring, hook one end into the hole in the motor's housing. Fix the other end to the respective receptacle on the handle as shown in Fig. 5.



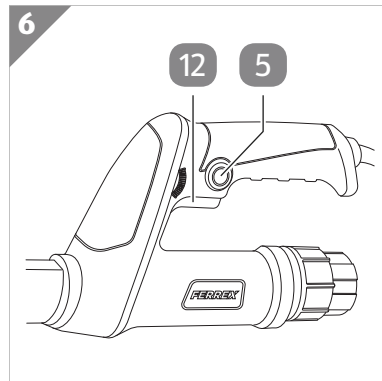
Operation

NOTE!

RECOMMENDATION: The tool should always be supplied via a residual current device with a rated residual current of 30 mA or less.

Switching on/off

1. To switch on the product, press and hold the on/off trigger **12**.
2. To switch off the product, release the on/off trigger **12**.

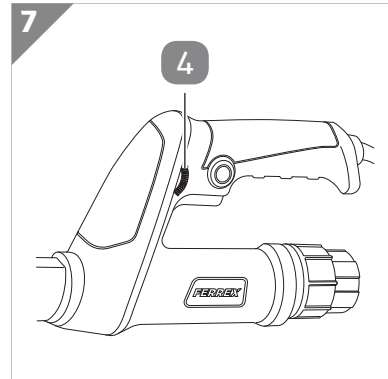


Continuous operation

1. The product has a lock-on button for continuous operation without having to hold down the on/off trigger **12**.
2. Press and hold the on/off trigger **12** to start the product.
3. Press the lock-on button and then release the on/off trigger **12**.
4. To stop the product, press and release the on/off trigger **12**.

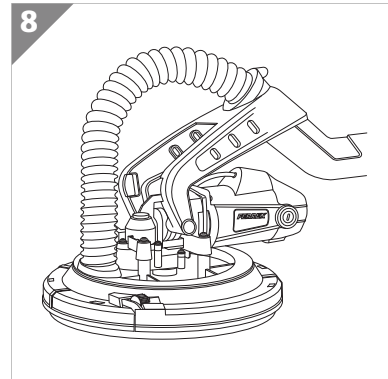
Adjusting the speed of the product

1. To increase the speed of the product, rotate the variable speed dial **4** clockwise.
 - - low speed for rough grinding.
 - - high speed for fine grinding.
2. To decrease the speed of the product, rotate the variable speed dial **4** anticlockwise.



Grinding

1. Select the desired speed using the variable speed dial **4** and then hold the product securely.
2. Place the sanding pad **1** flat onto the working surface and switch on the product.
3. Move the product smoothly with gentle pressure in circular or transverse movements.
4. Once the job is complete, switch off the product and wait till the sanding pad is completely stop before putting it down.
5. For ceiling grinding, fix the sanding pad with the Support spring **17** as shown in Fig. 5.



Cleaning, Maintenance and Storage

⚠ WARNING!

Always disconnect the product from the mains before carrying out any cleaning, maintenance and storage.

The product shall only be repaired by an authorised service centre.

Cleaning

1. Keep the ventilation slots free from dust and dirt to prevent overheating.
2. Regularly clean the housing with a soft cloth, preferably after each use. If the dirt does not come off, use a soft cloth moistened with soapy water

Cleaning, Maintenance and Storage

3. Never use solvents such as petrol, alcohol, ammonia water etc. These solvents may damage the plastic parts.

Maintenance

1. The product has been designed to operate over a long period of time with a minimum of maintenance. Continuous satisfactory operation depends upon proper care and regular cleaning.
2. The product shall only be repaired by an authorised service centre.
3. If the replacement of supply cord is necessary, this has to be done by an authorised service centre in order to avoid a safety hazard.
4. When a carbon brushes wear out, the product will spark and/or stop. Switch off the product as soon as this happens. Carbon brushes will wear out after many uses, when the carbon brushes need to be replaced, take the product to an authorised service centre. Carbon brushes are wearing components and are covered under warranty. Always replace both carbon brushes at the same time.

Storage

1. Thoroughly clean the product and its accessories before storage.
2. Store the product out of the reach of children in a stable and secure place.

Troubleshooting

Problem	Possible Causes	Suggested Solutions
Not working	No power	Insert the plug to the mains properly.
	Plug or supply cord ist damaged	Check and replace the plug or supply cord by an authorised service centre
	Internal damage or wear e.g. motor is damaged	Repair by an authorised service centre.
Poor sanding result	Sand paper worn out	Replace the sanding paper
Noisy or rattling	Internal damage or wear	Repair by an authorised service centre.
Overheat	Ventilation vents blocked	Clean the dust from the ventilation vents
Excessive sparking visible through air vents	The product ist running for too long	Turn off the product and let it cools down
	May indicate the carbon brushes have worn out and need to be replaced	Replace the carbon brushes by an authorised service centre

Technical Data

Technical Data

Model No.	YT-7251A
Rated voltage	230-240 V~, 50 Hz
Rated power	750 W
No load speed	1000-1800 min ⁻¹
Sanding disc diameter	225 mm
Product dimension	1750 x 257 x 270 mm
Standard	AS/NZS 60745.1 and AS/NZS 60745.2.3

Declaration of conformity

Original EU Declaration of Conformity

We,

MEROTEC GmbH
Otto-Brenner-Str. 8, 47877 Willich, Germany

herewith declare under our own, sole responsibility that our product

Drywall sander
Model no. YT-7251A

complies with the following directives:

2006/42/EC Machinery Directive
2014/30/EU EMC-Directive
2011/65/EU^{*)} RoHS, amended by (EU) 2015/863

Applied harmonized standards:

EN ISO 12100:2010
EN 60745-1:2009+A11:2010
EN 60745-2-3:2011+A2:2013+A11:2014+A12:2014+A13:2015
EN55014-1:2017
EN55014-2:2015
EN61000-3-2:2014
EN61000-3-3:2013
EN50581:2012

Document representative:
Dirk Wohlrab
MEROTEC GmbH
Otto-Brenner-Str. 8
D-47877 Willich

Place, date: Willich, 18.12.2020
Authorised Signature:



Ronald Menken
General Manager
MEROTEC GmbH



^{*)}The object of the declaration described above is in conformity with Directive 2011/65/EU of the European Parliament and of the Council of 8 June 2011 on the restriction of the use of certain hazardous substances in electrical and electronic equipment.

Disposal

Disposing of packaging



Dispose of packaging according to type. Sort the paperboard and cardboard as waste paper and the film as recyclable material.

Dispose of old electrical device



This symbol indicates that this product may not be disposed of together with domestic waste in compliance with the (2012/19/EU) Regulation pertaining to waste electrical and electronic devices (WEEE). This product must be handed in at a collection point intended for the purpose. This can occur, for example, by handing it in at an authorised collecting point for the recycling of waste electrical and electronic equipment. Owing to potentially hazardous substances that are frequently contained in waste electronic equipment, incorrect handling of waste equipment may have a negative impact on the environment and on the health of human beings. By disposing of this product correctly, you are also contributing towards an efficient use of natural resources. Information on collecting points for waste equipment can be obtained from your local authority, an authorised institution for the disposal of waste electrical and electronic equipment or the waste collection services.