



User Manual

Great care has gone into the manufacture of this product and it should therefore provide you with years of good service when used properly. In the event of product failure within its intended use over the course of the first 3 years after date of purchase, we will remedy the problem as quickly as possible once it has been brought to our attention. In the unlikely event of such an occurrence, or if you require any information about the product, please contact us via our helpline support services, details of which are to be found both in this manual and on the product itself.



PRODUCED IN CHINA FOR:
ALDI STORES LTD. PO BOX 26, ATHERSTONE
WARWICKSHIRE, CV9 2SH

ALDI STORES (IRELAND) LTD.
PO BOX 726, NAAS, CO. KILDARE
Visit us at www.aldi.com

AFTER SALES SUPPORT

803687



GB +44(0) 1904727501 IE +353(0) 19022605



support@coreservice.co.uk

MODEL:
Q1W-SP01-524

03/2021

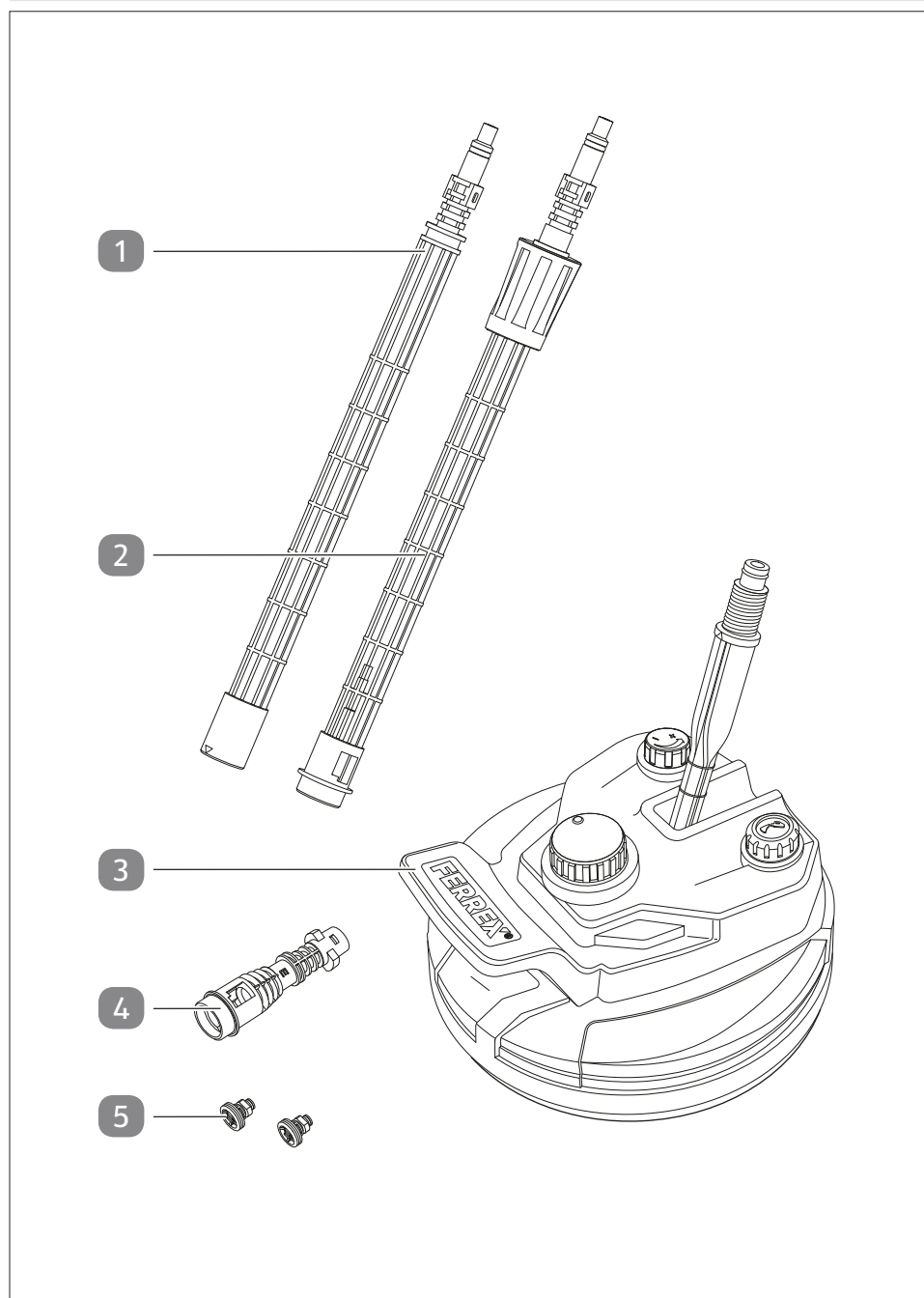
3
YEAR
WARRANTY

FERREX® PATIO AND WALL CLEANER



Original Instructions

Overview



Package contents/components

- 1 Connecting pipe
- 2 Extension pipe
- 3 Cleaning device
- 4 Adapter E
- 5 2 additional nozzles



Table of content

Overview	2
Package contents/components	3
General information	6
Reading and storing the operating manual.....	6
Intended use.....	6
Explanation of symbols.....	6
General notes on safety	7
Before first use	8
Check the device and scope of delivery.....	8
Operation	9
Assembly.....	9
Commissioning.....	10
Functions.....	10
Using the device.....	11
Frequently Asked Questions (FAQ)	12
Other useful information	13
Cleaning/Maintenance/ Storage	14
Inspecting the device	14
Technical specifications	15
Waste disposal and environmental protection	15
Disposing of packaging.....	15

General information

Reading and storing the operating manual



This operating manual is a part of the patio and wall cleaner (also called device). It contains important information on how to set up and use the product.

Before using the device, read the operating manual carefully, in particular the safety instructions. Failure to follow this operating manual may lead to severe injuries or product damage.

This user manual is based on the standards and regulations that are valid within the European Union. Outside the EU, please also note the country-specific directives and laws.

Keep this operating manual for future reference. If you pass this device on to a third party, you must also supply this operating manual.

Intended use

This patio and surface cleaner is intended for private use only:

- For splash-proof pressure cleaning of floors and walls, rotating nozzles ensure that cleaning is highly efficient.
- Cleaning the object according to its manufacturer's information.
- The device is designed for use with the DURO high pressure washer.
- The device is suitable for other pressure washers if the adaptor is used.

Explanation of symbols

The following symbols and signal words are used in this operating manual, on the device or on the packaging.

WARNING!

This signal symbol/word denotes a hazard with an average risk level that could lead to death or severe injury if it is not avoided.

CAUTION!

This signal symbol/word denotes a hazard with a low risk level that could lead to mild or moderate injury if it is not avoided.

NOTE!

This signal word provides a warning about potential material damage.



This symbol provides you with useful additional information on handling and use.



Read the operating manual.



High pressure jets can be dangerous if subject to misuse. The jet must not be directed at persons, live electrical equipment or the appliance itself.



Never reach under the device when it is on.



Wear safety gloves to prevent injury during using of this device.



Declaration of conformity (see chapter “Declaration of conformity”):
Products marked with this symbol meet all the applicable Community regulations of the European Economic Area.

General notes on safety

- **This appliance is not intended for use by persons (including children) with reduced physical, sensory or mental capabilities, or lack of experience and knowledge, unless they have been given supervision or instruction concerning use of the product by a person responsible for their safety.**
- **Never allow children or people unfamiliar with these instructions to use the appliance.** Local regulations may restrict the age of operator.
- **This appliance is manufactured in accordance with the relevant safety regulations.** To avoid danger, electrical appliances must only be repaired by qualified technicians.
- **This appliance has been designed for use with the cleaning agent supplied or recommended by the manufacturer.** Do not use acids, solvents, or any flammable material in this device. These products can cause physical injuries to the operator and irreversible damage to the device and may void the products warranty.
- **Before operation, carefully check the appliance for damage.** Do not use the tool if any parts are damaged or defective. Have any damaged or defective parts repaired or replaced by an authorized service agent. Never attempt any repairs yourself.
- **Wet surfaces can be slippery. Wear shoes and keep both feet on the ground.** Do not climb on items being cleaned.

General notes on safety

- **Do not use the appliance within range of persons unless they wear protective clothing.**
- **Do not direct the jet against yourself or others in order to clean clothes and shoes.**
- **To ensure appliance safety, use only original spare parts from the manufacturer or approved by the manufacturer.**
- High pressure hoses, fittings and couplings are important for the safety of the appliance. Use only hoses ,fittings and couplings recommended by the manufacturer.
- Do not use the appliance if a supply cord or important parts of the appliance are damaged, e.g. safety devices, high pressure hoses , trigger gun.
- If an extension cord is used, the plug and socket must be of watertight construction. The cross-section of the power supply cable must not be less than 2x2.5mm². Do not abuse extension cord and do not yank on any cord to disconnect.
- **Do not operate the appliance when fatigued or under the influence of alcohol or drugs.**
- **Do not stand on unstable surfaces.** Keep good footing and balance at all times.
- **Spray gun can kick back.** Hold with both hands on the appliance.
- When the spray trigger is released, water pressure is trapped in the discharge hose. Release trapped pressure by triggering the spray gun after the washer is turned off.
- To reduce the risk of electrocution, keep all connections dry and off the ground. Do not touch plug with wet hands.
- **Disconnect from the electrical power supply before carrying out user maintenance.**
- **Store the appliance in a dry place and out of reach of children.**

Before first use

Check the device and scope of delivery

NOTE!

Risk of damage!

If opening the packaging with a sharp knife or other pointed objects, careless handling can damage the device.

- Therefore, be very careful when opening.

1. Take the device out of the packaging.
2. Check that the delivery is complete (see chapter "Scope of delivery/device components").
3. Inspect the device and individual parts for damage. Do not operate a damaged device; instead, contact the manufacturer via the service center listed on the warranty card.

Operation

Assembly

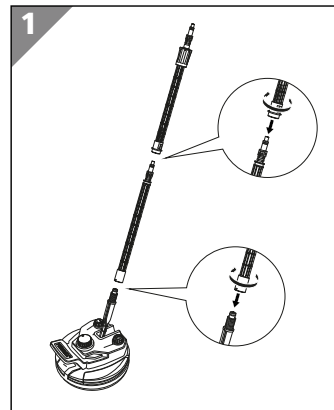
The cleaning device **3** can be connected directly to the spray gun of a high-pressure cleaner with the connecting pipe **1**. If necessary, you can insert the extension pipe **2** between the connecting pipe and the spray gun.

Connecting the cleaning device (Fig. 1):

- Screw the connecting pipe **1** clockwise onto the thread on the cleaning device **3** until it snaps into place.

The arrow markings on the connecting pipe and the cleaning device are now aligned.

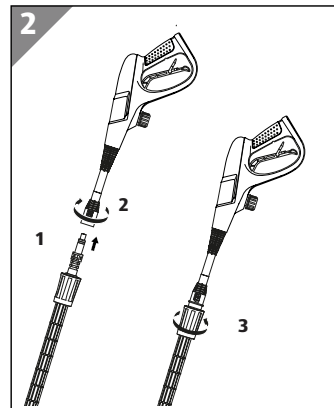
- Optionally, attach the extension pipe **2** to the free end of the connecting pipe and lock the connection by turning it clockwise (bayonet coupling).



Connecting the spray gun (Fig. 2)

- If you use a DIY gun, attach adapter E **4** to the spray gun of your high-pressure cleaner (see section "Other useful information").
- Attach the connecting pipe **1** or extension pipe **2** to the spray gun (or adapter E) and lock the connection by turning it clockwise (bayonet coupling).
- If you use the extension pipe, screw the union nut clockwise hand-tight onto the spray gun.

The device is ready for operation.



Operation



To detach the components, proceed in reverse order.

Commissioning

⚠ CAUTION!

Risk of injury

- Spray gun can kick back.

Always hold with both hands on the appliance.



When the spray trigger is released, water pressure is trapped in the discharge hose. Release trapped pressure by triggering the spray gun after the washer is turned off.

Functions



This surface cleaner can be adapted to the application purposes described below (see **Fig. 3**):

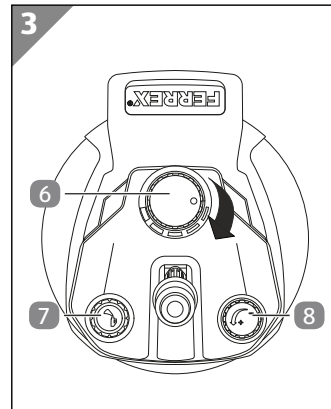
Reduced cleaning power: for gentle cleaning of sensitive surfaces.

Full cleaning power: for hard surfaces such as concrete.



To check whether you can use the cleaning device **3** to clean sensitive surfaces, start your work at a concealed spot.

- Turn the controller **6** all the way counter-clockwise to set minimum cleaning power.
- Turn the controller all the way clockwise to set full cleaning power.
- Set the controller between minimum and full power to adapt the device to your respective application.



Using cleaners

The surface cleaner **3** has a cleaner tank and a dosage quantity adjuster (see **Fig. 3**).

Filling the cleaner tank

- Unscrew the cap of the cleaner tank **7** by turning it counter-clockwise.
- Fill a neutral and biodegradable cleaner into the cleaner tank.
The tank capacity is 200 ml.
Always dose the cleaner as instructed by the cleaner manufacturer.
- Unscrew the cover of the cleaner tank by turning it clockwise.

The cleaner tank is filled.

Setting the dosage

- Turn the dosage quantity adjuster **8** toward "+" to increase the dosage quantity.
- Turn the dosage quantity adjuster toward "-" to reduce the dosage quantity.

Using the device

⚠ NOTE!

Before operation, make sure no obstacle (etc. stone) has blocked the rotation device below.

- Move the device from left to right and vice-versa to clean horizontal surfaces (**Fig. 4**).
- To clean surfaces inside and outside of buildings, work from top to bottom to prevent soiling already cleaned surfaces (see **Fig. 5**)

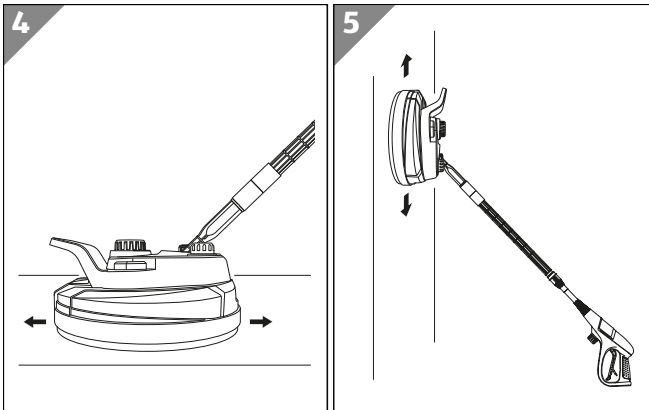


Always hold the device by the handle when cleaning walls.



Make sure that the device is not moved over protruding edges and corners.

Operation



Frequently Asked Questions (FAQ)

⚠ WARNING!

You must follow the steps described in this operating manual when working with the device!

All other testing, maintenance and repair work may only be carried out by an authorised customer service or similarly qualified experts if you cannot remedy the problem yourself!

Many function errors, interruptions of operation or damage can be attributed to causes that the operators can determine themselves. Therefore, use the items listed in this section to check the product. In most cases, the problem is easily solved.

Symptom	Problem	Solution
No pressure in the nozzle.	Insufficient suction. Water inlet screen is clogged. Water feed hose is kinked. Water supply is shut off.	Draw in water. Clean or exchange the inlet screen. Straighten the kink. Open the water supply. Check the feed hose for leaks or clogging.
Insufficient pressure in the nozzle.	Insufficient suction. Insufficient water supply. Water feed hose is kinked. Worn pump components.	Draw in water. Check the water supply. Clean the inlet screen. Straighten the kink. Inspection by customer service.

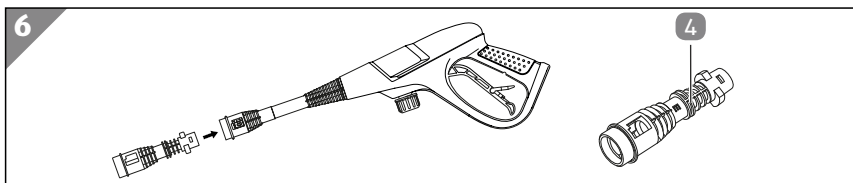
Symptom	Problem	Solution
Rotor does not turn.	The supply pressure is too low.	Check the connected high-pressure cleaner.
	The turbine is damaged.	Contact customer service.
	The turbine is clogged with dried cleaner or lime.	Soak the cleaning device in warm water and a bit of decalcifier, if necessary. Rinse afterwards with sufficient water.
Not enough cleaner added.	The cleaner tank is empty.	Refill the cleaner tank (see section "Functions").
	The dosage quantity is set too low.	Increase the dosage quantity (see section "Functions").
	Nozzles or pipes are clogged with dried cleaner or lime.	Soak the cleaning device in warm water and a bit of decalcifier, if necessary. Rinse afterwards with sufficient water.

Other useful information

Adapter

The supplied adapter E **4** can be used for attaching other devices. Insert the adapter in the high-pressure gun and tighten.

- Adapter E (embossed marking "E") can be connected to the following devices:
standard DIY gun with max. 150 bar

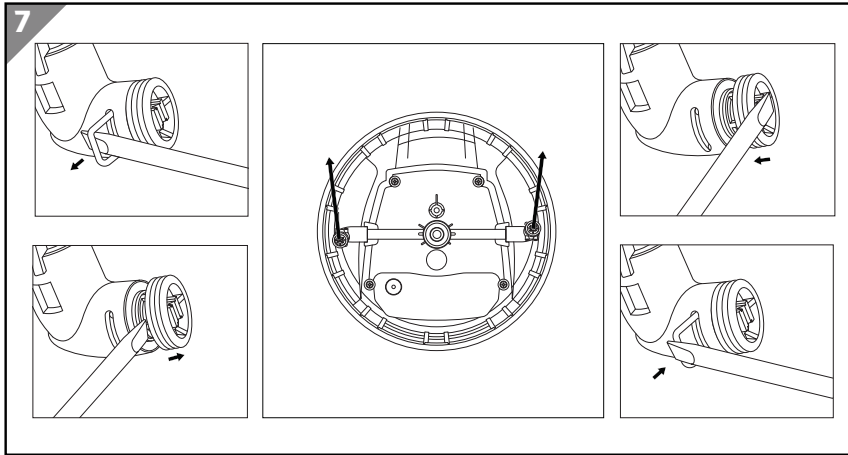


Nozzles **5**

The supplied additional nozzles **5** can be used as a replacement for damaged or clogged nozzles (**Fig. 7**).

- Remove clip.
- Remove nozzle.
- Insert new nozzle.
- Insert clip again.

Other useful information



Cleaning/Maintenance/ Storage

- Disconnect all water connections.
- Turn on the appliance for a few seconds, until the water which has remained in the pump exits. Turn off immediately.
- Keep the appliance in a frost-proof area

Inspecting the device

Check all fastenings regularly. These can come loose over time because of the vibration.

Technical specifications

Patio and wall cleaner	Q1W-SP01-524
Max. permissible pressure P max.	15 MPa
Inlet flow temperature t in max.	60°C

The patio and wall cleaner is designed for pressure washers working at a nominal pressure (p) of 90-150bar.

Waste disposal and environmental protection

Disposing of packaging



Dispose of packaging according to type. Sort the paperboard and cardboard as waste paper and the film as recyclable material.

Do not dispose of the device with household waste. Your local authorities or a waste disposal company will inform you about suitable disposal sites.

Original EU Declaration of Conformity

We,

MEROTEC GmbH
Otto-Brenner-Str. 8, 47877 Willich, Germany

herewith declare under our own, sole responsibility that our product


Patio and wall cleaner
Modell No.: Q1W-SP01-524

complies with the following directives:

2006/42/EC Machinery Directive
2011/65/EU*) RoHS-Directive, amended by (EU) 2015/863

Document representative:
Dirk Wohrab
MEROTEC GmbH
Otto-Brenner-Str. 8
D-47877 Willich

Place, date: Willich, 04.11.2020
Authorised Signature:


Ronald Menken
General Manager
MEROTEC GmbH



*)The object of the declaration described above is in conformity with Directive 2011/65/EU of the European Parliament and of the Council of 8 June 2011 on the restriction of the use of certain hazardous substances in electrical and electronic equipment.