



User Manual

Spend a little Live a lot



PATIO AND WALL CLEANER



Original instructions

Content

Introduction.....	5
General information and Safety instructions.....	5
Assembly and Parts List.....	8
Connect.....	9
Features.....	9
Instructions.....	10
FAQ.....	11
Other Useful Information.....	12

Introduction

This patio and wall cleaner is intended for private use only:

- For splash-proof pressure cleaning of floors and walls, rotating nozzles ensure that cleaning is highly efficient.
- Cleaning the object according to its manufacturer's information.
- The device is designed for use with the WORKZONE high pressure washer.
- The device is suitable for other pressure washers if the adaptor is used.

General information and safety instruction



The following warning symbols appear throughout this assembly manual and indicate the appropriate safety measures you should take when assembling and operating the appliance.



This symbol indicates there is a danger of serious personal injury or death if you do not observe the warning.



Attention! Read all the instructions before using the appliance.



Never reach under the patio cleaner when it is on.



CAUTION!

High pressure jets can be dangerous if subject to misuse. The jet must not be directed at persons, live electrical equipment or the appliance itself.



wear safety gloves to prevent injury during using of this device.



Declaration of Conformity (see "Declaration of Conformity"): With This icon labeled products meet the requirements of CE Directive.

General notes on safety

- **This appliance is not intended for use by persons (including children) with reduced physical, sensory or mental capabilities, or lack of experience and knowledge, unless they have been given supervision or instruction concerning use of the product by a person responsible for their safety.**
- **Never allow children or people unfamiliar with these instructions to use the appliance.** Local regulations may restrict the age of operator.
- **This appliance is manufactured in accordance with the relevant safety regulations.** To avoid danger, electrical appliances must only be repaired by qualified technicians.
- **This appliance has been designed for use with the cleaning agent supplied or recommended by the manufacturer.** Do not use acids, solvents, or any flammable material in this device. These products can cause physical injuries to the operator and irreversible damage to the device and may void the products warranty.
- **Before operation, carefully check the appliance for damage.** Do not use the tool if any parts are damaged or defective. Have any damaged or defective parts repaired or replaced by an authorized service agent. Never attempt any repairs yourself.
- **Wet surfaces can be slippery. Wear shoes and keep both feet on the ground.** Do not climb on items being cleaned.
- **Do not use the appliance within range of persons unless they wear protective clothing.**
- **Do not direct the jet against yourself or others in order to clean clothes and shoes.**
- **To ensure appliance safety, use only original spare**

parts from the manufacturer or approved by the manufacturer.

- **WARNING:** High pressure hoses, fittings and couplings are important for the safety of the appliance. Use only hoses, fittings and couplings recommended by the manufacturer.
- Do not use the appliance if a supply cord or important parts of the appliance are damaged, e.g. safety devices, high pressure hoses, trigger gun.
- If an extension cord is used, the plug and socket must be of watertight construction. The cross-section of the power supply cable must not be less than $2 \times 2.5 \text{mm}^2$. Do not abuse extension cord and do not yank on any cord to disconnect.
- **Do not operate the appliance when fatigued or under the influence of alcohol or drugs.**
- **Do not stand on unstable surfaces.** Keep good footing and balance at all times.
- **Spray gun can kick back.** Hold with both hands on the appliance.
- When the spray trigger is released, water pressure is trapped in the discharge hose. Release trapped pressure by triggering the spray gun after the washer is turned off.
- To reduce the risk of electrocution, keep all connections dry and off the ground. Do not touch plug with wet hands.
- **Disconnect from the electrical power supply before carrying out user maintenance.**
- **Store the appliance in a dry place and out of reach of children.**

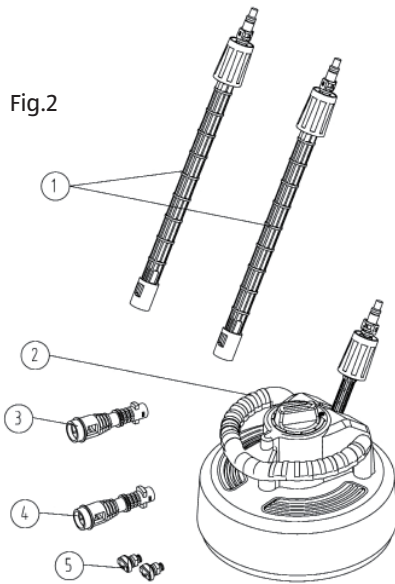
Technical specifications

Patio and wall cleaner	Q1W1524
Max. permissible pressure P max.	15 MPa
Inlet flow temperature t in max.	60°C

The patio and wall cleaner is designed for pressure washers working at a nominal pressure (p) of 90-150bar .

Assembly and Parts List

Fig.2



1. Extension tubes
2. Patio cleaner
3. Adaptor H
4. Adaptor E
5. 2 spare nozzles for patio cleaner

Assembling

- Connection of extension tube (1) and cleaners (2):
Push the extension tube onto the pivoting connector of cleaner(2), then rotate to the fixing position.

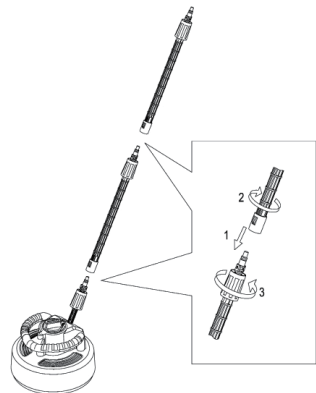


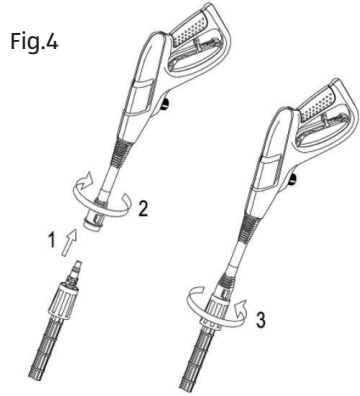
Fig.3

Connect

Assemble the extension tube (1) to your spray gun, then start to work.
Spray gun can kick back .Always hold with both hands on the appliance



When the spray trigger is released, water pressure is trapped in the discharge hose. Release trapped pressure by triggering the spray gun after the washer is turned off.



Avoid the patio cleaner going over free corners.

Features

This patio and wall cleaner can be adjusted for different usage as below description (refer to fig. 5)

- ⊕ Full cleaning power. Used for hard surfaces like concrete. Always test on a small area to find
- ⊖ Reduce cleaning power.

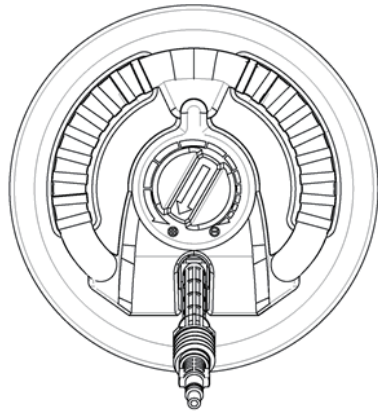


Fig.5

Instructions



WARNING! Before operation , make sure no obstacle (etc. stone) has blocked the rotation device below.

- When cleaning horizontal surfaces, move nozzle wand from side to side. (Fig 6)
- When cleaning building interiors or exteriors , work from top to bottom. This will help eliminate streaks. (Fig 7)

Note! Always hold the patio and wall cleaner by the handles when washing down walls .

Note! Avoid the patio and wall cleaner going over free corners

Fig.6

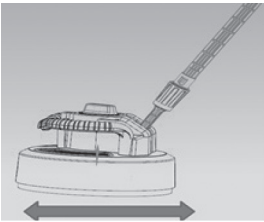
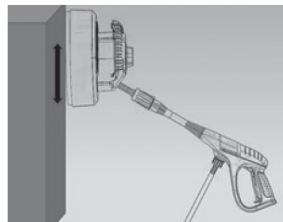


Fig.7



On sensitive surfaces, test the brush (2) initially on a location that is not visible, in order to ensure compatibility.

Removal of the patio and wall cleaner is in the reverse order. Push and turn the patio and wall cleaner in the opposite direction to separate adaptor from the spray gun.

Frequently Asked Questions(FAQ)



WARNING! Only perform the steps described within these instructions! All further inspection, maintenance and repair work must be performed by an authorized service centre or a similarly qualified specialist if you cannot solve the problem yourself!

Suspected malfunctions, disturbances or damages are often due to causes that the user can find themselves. Therefore check the product using this section. In most cases the problem can be solved quickly.

Symptom	Problem	Solution
No pressure or fluid nozzle	Unit not properly primed. Blocked water inlet screen. Kink in water inlet hose. Closed water supply.	Prime unit. Clean or replace inlet screen. Remove kink. Turn on water supply. Check supply hose for leaks or blockage.
Low nozzle pressure	Unit not properly primed. Insufficient inlet water supply Kink in water inlet hose Worn pump components	Prime unit. Check water supply conditions. Clean inlet screen. Check with service agent.
Appliance does not start	Not connected to power supply Power connection is loose. Switch malfunction Faulty motor	Connect with power supply. Connect the unit with power supply well Check with service agent. Check with service agent.

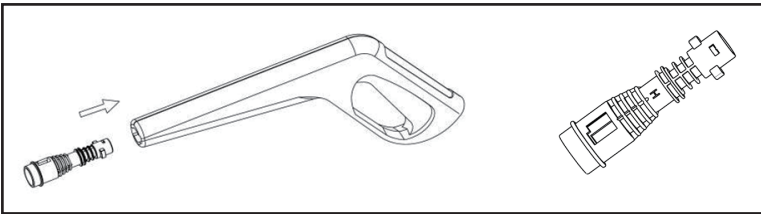
Other useful information

Adaptors

The enclosed adaptor H or adaptor E (3/4) may be helpful for use with other device.
Plug-in and twist to connect the adaptor (3/4) to the high pressure spray gun.

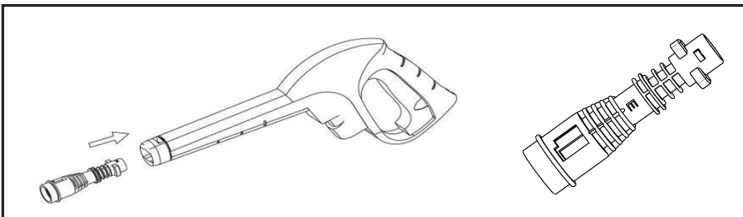
- Adaptor H (emboss marked "H") can be connected to:
WORKZONE spray gun SINCE 2012
DURO spray gun SINCE 2012

Fig 8.



- Adaptor E (emboss marked "E") can be connected to:
Gun of common used DIY market spray gun limited by 150bar

Fig.9

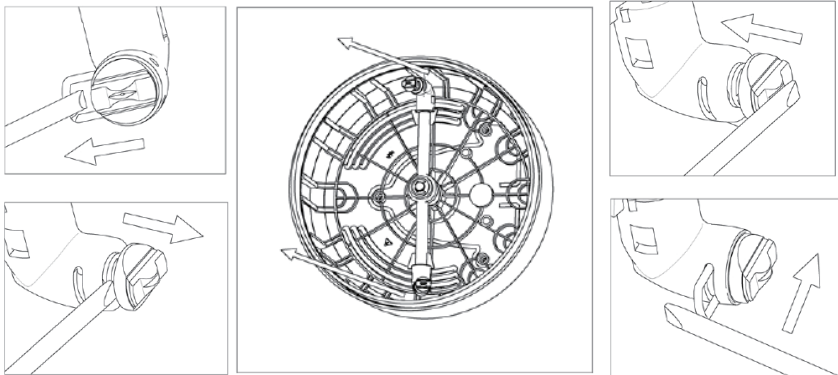


NOZZLES (5)

Enclosed 2 extra nozzles (5) could be replaced in case damaged or blocked. (Fig.10)

- Remove the clip
- Remove the nozzles
- Reinstall the high pressure nozzle.
- Re-insert the clip

Fig.10



Cleaning/Maintenance/ Storage

1. Disconnect all water connections.
2. Turn on the appliance for a few seconds, until the water which has remained in the pump exits. Turn off immediately.
3. Keep the appliance in a frost-proof area

Waste disposal and environmental protection



Disposal
WARNING

Inspecting the device

Check all fastenings regularly. These can come loose over time because of the vibration.



Do NOT DISPOSE OF THE PACKAGING IN YOUR HOUSEHOLD WASTE.

The packaging is entirely made from recyclable materials. Dispose of the packaging in the appropriate recycling container.

Service/customer support

Only have your patio and wall cleaner serviced by a qualified specialist and use only original spare parts. This will ensure that the safety of the patio cleaner is maintained.

Please contact our service partner if you have any queries or wish to order parts:

Sumec UK co. Ltd.

Trading as Core Service

Unit A & B, Escrick Business Park

Escrick, York

YO19 6FD

United Kingdom

Tel: (GB) +44 (0)1904 727501 (IRE) +353 (0)1 902 2605

E-mail: support@coreservice.co.uk

Web: www.coreservice.co.uk

Declaration of Conformity

Original EU Declaration of Conformity
We,
MERO TEC GmbH
D-47877 Willich, Hanns-Martin-Schleyer Str. 18a, Germany

herewith declare under our own, sole responsibility that our product
Patio and wall cleaner
Modell Nr.: Q1W1524

complies with the following directives:

Machinery Directive	2006/42/EC
RoHS*)	2011/65/EU



Place, date: Willich, 10.11.2017

Authorised Signature:

A handwritten signature in black ink that reads "Roland Menken". The signature is written in a cursive style.

Roland Menken
General Manager
MERO TEC GmbH

Document representative:

Dirk Wohlrab
MERO TEC GmbH
Hanns-Martin-Schleyer Str. 18a
D-47877 Willich

*)The object of the declaration described above is in conformity with Directive 2011/65/EU of the European Parliament and of the Council of 8 June 2011 on the restriction of the use of certain hazardous substances in electrical and electronic equipment.



Spend a little Live a lot

Great care has gone into the manufacture of this product and it should therefore provide you with years of good service when used properly. In the event of product failure within its intended use over the course of the first 3 years after date of purchase, we will remedy the problem as quickly as possible once it has been brought to our attention. In the unlikely event of such an occurrence, or if you require any information about the product, please contact us via our helpline support services, details of which are to be found both in this manual and on the product itself.



PRODUCED IN CHINA FOR:

ALDI STORES LTD. PO BOX 26, ATHERSTONE
WARWICKSHIRE, CV9 2SH.

ALDI STORES (IRELAND) LTD.
PO BOX 726, NAAS, CO. KILDARE.
Visit us at www.aldi.com

AFTER SALES SUPPORT

95614



GB +44 (0)1904 727501 IRE +353 (0)1 902 2605



www.coreservice.co.uk

MODEL:
Q1W1524

04/2018

3

YEAR WARRANTY