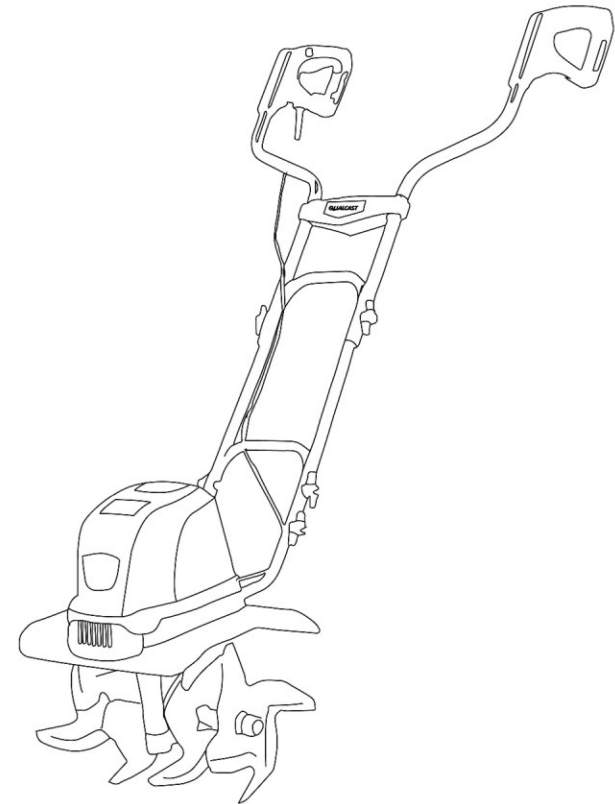


Qualcast 800 W Electric Tiller

Assembly Manual

LTEG02A



QUALCAST

Important - Please read these instructions fully before starting assembly

These instructions contain important information that will help you get the best from your electric tiller, ensuring it is assembled correctly and safely. If you need help or have damaged or missing parts, call the Customer Helpline on **01904 727500** prior to returning product to store.

Contents

Safety Information.....	3
Warning Symbols.....	3
General Safety.....	3
Personal Safety.....	3
In the Box.....	4
Parts.....	4
Assembly.....	5
Preparing to assemble the electric tiller.....	5
Step 1 Assembling the frame.....	5
Step 2 Assembling the handles.....	6
Step 3 Clamping the cable with cable clip.....	7

Guarantee

Dear Customer,

In the unlikely event that your device develops a fault, please contact our Customer service department on the telephone number shown below.

1. These guarantee terms cover additional guarantee rights and do not affect your statutory warranty rights.

Claims must be accompanied by Proof of Purchase. This must be in the form of a Sales receipt or Bank statement and must show that the product has been purchased within 2 year prior to the claim, from the retailer that it was originally sold to.

2. Our guarantee covers problems caused by material or manufacturing defects, and will result in the repair of these defects or replacement of the device with a like for like or similar article. Please note that our devices have not been designed for use in commercial, trade or industrial applications. Consequently, the guarantee is invalidated if the equipment is used in commercial, trade or industrial applications or for other equivalent activities.

3. The following are also excluded from our guarantee:

- A) Faults due to accidents, customer misuse, or unauthorized repairs
- B) Consumable Parts such as Blades
- C) Failure due to lack of routine maintenance
- D) Failure as a result of not using the equipment in accordance with the manual and safety instructions
- E) The adjustment of cables, drive belts, or recoil starters

4. The guarantee is valid for a period of 2 year starting from the purchase date of the device. Guarantee claims should be submitted before the end of the guarantee period within two weeks of the defect being noticed. No guarantee claims will be accepted after the end of the guarantee period. The original guarantee period remains applicable to the device even if repairs are carried out or parts are replaced. In such cases, the work performed or parts fitted will not result in an extension of the guarantee period, and no new guarantee will become active for the work performed or parts fitted. This also applies when an on-site Service is used.

5. Please keep your sales receipt in a safe place. If the defect is covered by our guarantee your device will either be repaired under the terms of guarantee or we will send you a replacement device. This device may be re-conditioned or Like for like replacement.

Recycling and Disposal

Disposal Instructions (continued)

for the recovery and recycling of materials contained within. Your cooperation is vital to ensure the success of these schemes and for the protection of the environment.

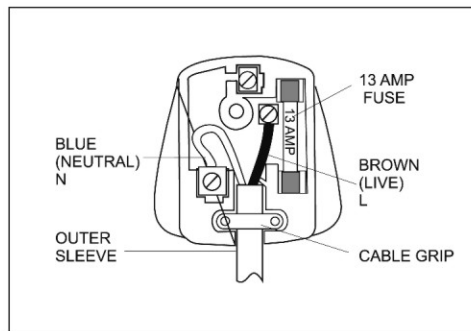
5. Recycle packaging where facilities exist.



6. This symbol is known as the Crossedout Wheelie Bin Symbol. When this symbol is marked on a product or battery, it means that it should not be disposed of with your general household waste. Some chemicals contained within electrical/electronic products or batteries can be harmful to health.

Plug Replacement

Plug Replacement



Your electric tiller is fitted with a moulded plug. However if you need to replace a fitted plug then follow the instructions below.

IMPORTANT

The wires in the mains lead are coloured in accordance with the following code:

Blue - Neutral Brown - Live

As the colours of the wires in the mains lead of this appliance may not correspond with the coloured markings identifying the terminals in your plug, proceed as follows.

The wire which is coloured blue must be connected to the terminal which is marked with **N**

The wire which is coloured brown must be connected to the terminal which is marked with the letter **L**

If a 13AMP (BS1363/A) plug is used, a 13A fuse must be fitted, or if any other type of plug is used a 13AMP fuse must be fitted, either in the plug or adapter, or on the distribution board.

Note: If a moulded plug is fitted and has to be removed take great care in disposing of the plug and severed cable, it must be destroyed to prevent engaging into a socket. If the supply cord is damaged it must be replaced by a service agent or a similarly qualified person in order to avoid hazard.

⚠ Safety Information

Important - Please read these instructions fully before starting assembly

Warning Symbols

The following warning symbols appear throughout this assembly manual and indicate the appropriate safety measures you should take when assembling and operating the electric tiller.



This symbol indicates there is a danger of serious personal injury or death if you do not observe the warning.



This symbol indicates that there is a danger of damaging your hands if you do not wear thick, protective gloves.

General Safety



WARNING! Keep this assembly manual in a safe place for future reference.



WARNING! Always ensure anyone intending to operate this electric tiller is fully conversant with the content of this assembly manual prior to assembling, maintaining or operating the electric tiller.



WARNING! Perform assembly operations described in this manual. Failure to observe this warning may lead to serious injury, death, or damage to the electric tiller.



WARNING! Always take care when removing the packaging to prevent damage to you or to the electric tiller.



IMPORTANT! Before assembling the electric tiller, check all the parts indicated in the manual are in the box. Inspect all the parts for signs of damage. Do not assemble the electric tiller if you observe any damaged components.



Personal Safety



WARNING! Only operate the electric tiller if you are wearing the correct Personal Protective Equipmewnt (PPE) as described in the following warnings.

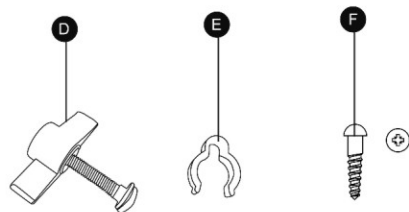
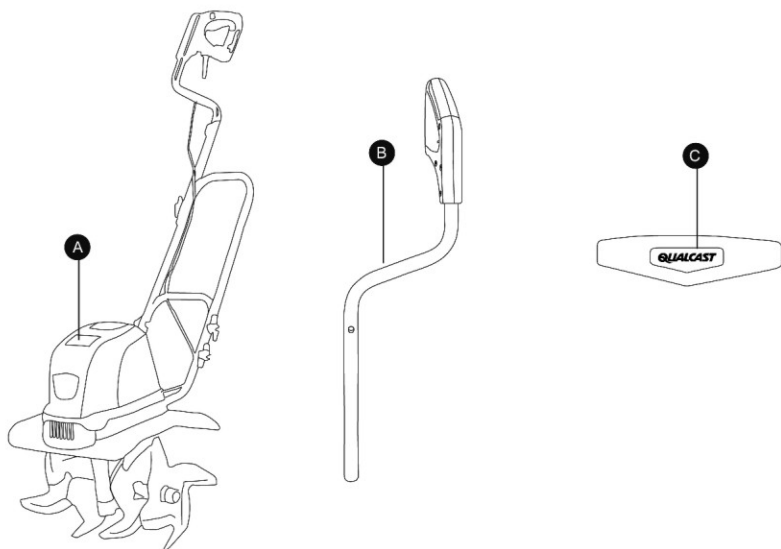


WARNING! Always wear suitable gloves when operating electric tiller to protect your hands from flying debris and/or sharp objects.

In the Box

Parts

- A** Main unit with right handle
- B** Left handle
- C** Frame
- D** Fixing nuts and bolts 6pcs
- E** Cord clips 2pcs
- F** Screws 4pcs



Technical Data

Technical Data Table

Property	Value
Motor Voltage	230-240V ~/50Hz
Power Input	800W
Idling speed	390rpm
Working width	360mm
Max working depth	220 mm
Net Weight	8.5 kg
Measured sound pressure level	80.4 dB(A), k=3 dB(A)
Measured sound power level	89.95 dB(A), k=1.4 dB(A)
Guaranteed sound power level	93 dB(A)
Vibration (m/s ²)	1.582 m/s ² K=1.5 m/s ²

The declared vibration value has been measured in accordance with a standard test method and may be used for comparing one tool with another. The declared vibration value may also be used in a preliminary assessment of exposure.



WARNING! The vibration emission value during actual use of the tool can differ from the declared value depending on the ways in which the tool is used. Identify safety measures to protect the operator that are based on an estimation of exposure in the actual conditions of use (taking account of all parts of the operating cycle such as the times when the tool is switched off and when it is running idle in addition to the trigger time).

The sound intensity level for the operator may exceed 85 dB(A) and ear protection measures are necessary.

Recycling and Disposal

Disposal Instructions

1. Recycle unwanted materials instead of disposing of them as waste. All tools, hoses and packaging should be sorted, taken to the local recycling centre and disposed of in an environmentally safe way.
2. Recycle rather than dispose of unwanted material in landfill whenever possible. The machine must be delivered in rigid packaging to avoid damage during transportation. The packaging and the machine itself are manufactured from recyclable materials and should be disposed of accordingly.
3. Do not throw your clippings into a rubbish bin where it will be disposed of in landfill. You can dispose of clippings on your compost heap, alternating them with other garden material. The more thoroughly you chop the clippings beforehand, the more rapidly they will degrade. Alternatively, many communities provide a public collection point where you can dispose of your garden waste in an environmentally friendly manner.
4. Only dispose of electrical/electronic/battery items in separate collection schemes, which cater

Storage and Transportation

Storage

- 1). Clean the product as described above.
- 2). Store the product and its accessories in a dark, dry, frost-free, well-ventilated place.
- 3). Always store the product in a place that is inaccessible to children. The ideal storage temperature is between 10 and 30°C.
- 4). We recommend using the original package for storage or covering the product with a suitable cloth or enclosure to protect it against dust.

Transportation

- 1). Switch the product off and disconnect it from power supply before transporting it anywhere.
- 2). Always carry the product on its gripping surfaces.
- 3). Protect the product from any heavy impact or strong vibrations which may occur during transportation in vehicles.
- 4). Secure the product to prevent it from slipping or falling over.

Troubleshooting

General Troubleshooting

! **WARNING!** Only perform the steps described within these instructions! All further inspection, maintenance and repair work must be performed by an authorised service centre or a similarly qualified specialist if you cannot solve the problem yourself!

Suspected malfunctions, disturbances or damages are often due to causes that the user can fix themselves. Therefore check the product using this section. In most cases the problem can be solved quickly.

Fault	Possible Cause	Solution
Product does not start	<ol style="list-style-type: none"> 1. Not connected to power supply 2. Power connection is loosen 3. Other electrical defect to the product 	<ol style="list-style-type: none"> 1. Connect to power supply 2. Connect the power supply and tool well 3. Check by a specialist electrician
Product does not reach full power	<ol style="list-style-type: none"> 1. Extension cord not suitable for operation with this product 2. Power source (e.g. generator) has too low voltage 3. Air vents are blocked 	<ol style="list-style-type: none"> 1. Use a proper extension cord 2. Connect to another power source 3. Clean the air vents
Unsatisfying result	<ol style="list-style-type: none"> 1. Cutting blades worn 	<ol style="list-style-type: none"> 1. Have a specialist to replace it

Assembly

Preparing to assemble the electric tiller

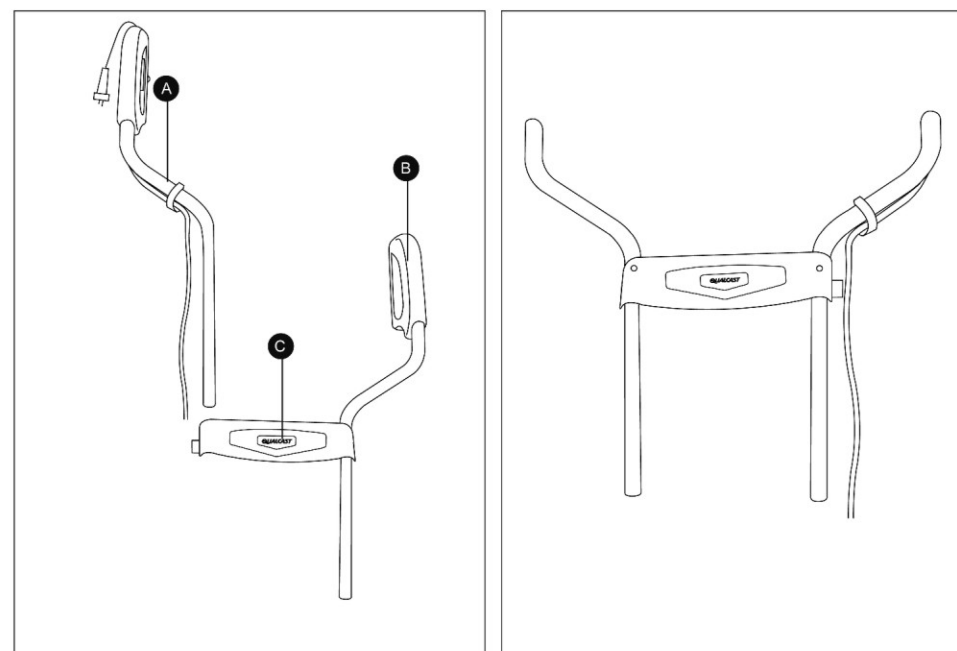
! **WARNING!** Always take care when removing the packaging to prevent damage to you or to the electric tiller.

1. Remove all parts of the electric tiller from the box and carefully remove all packaging. Take care not to lose any instructions which may be affixed to the parts. These provide important information which will be required while assembling the electric tiller.
2. Keep all packaging until the electric tiller is fully assembled and has been operated successfully.



NOTE! Always recycle the packaging in accordance with local recycling schemes.

Step 1 - Assembling the frame



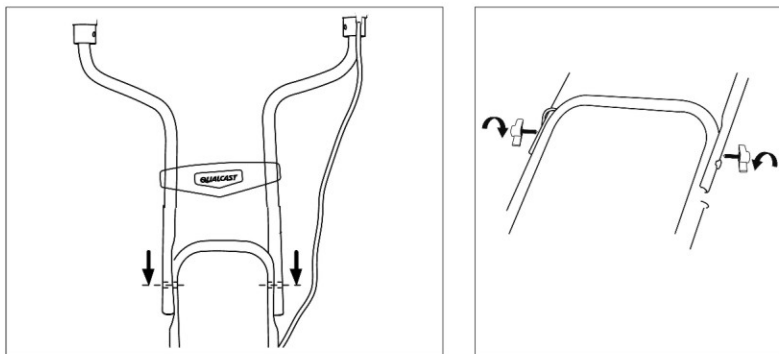
Slide the right-hand Grip (A) and left-hand Grip (B) into the frame (C). Secure the frame to the Left and Right-hand Grips with the included screws.



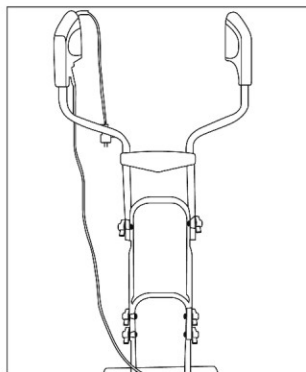
Note! Use a phillips-head screwdriver. Aligning the holes may be difficult. We recommend fastening one hand grip at a time to the frame.

Assembly

Step 2 - Assembling the handles



Align the upper handle frame with the middle handle. Use the nuts and bolts to fix the upper and middle handles firmly together.



Align the middle handle frame with the lower handle. Use the nuts and bolts to fix the middle and lower handles firmly together.



NOTE! Make sure that the control handle is on the side of the cable holder of the connectors.

Maintenance and Repair

Maintenance and Repair



WARNING! Always switch the product off and let the product cool down before performing inspection, maintenance and cleaning work!

General

- 1). Clean the product with a slightly damp cloth and pH-neutral soap. Use a brush for areas that are hard to reach.
- 2). In particular clean the air vents after every use with a cloth and brush.
- 3). Remove stubborn dirt with high pressure air (max. 3 bar).
- 4). Check for worn or damaged parts. Replace worn parts as necessary or contact an authorised service centre for repair before using the product again.
- 5). Regularly check for obvious defects such as loose, dislodged or damaged cutting devices, loose fixings and worn or damaged components.
- 6). Check that covers are undamaged and correctly fitted. Carry out necessary maintenance or repairs before using the product.

Cutting Device



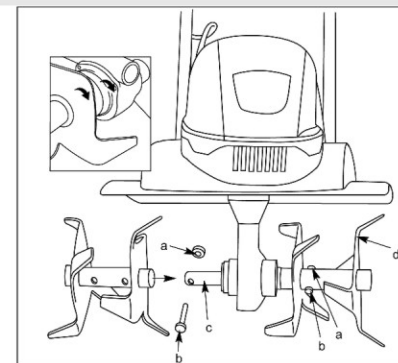
WARNING! Wear safety gloves when working on the cutting blades and close to it!



IMPORTANT! The tool is fitted with four tine wheels (blades) that can easily be changed in pairs. Both of the tine wheel pairs can be fitted on the left or right, as required. Purchase the blades from authorised service center.



WARNING! Make sure that the blades (d) are set to their proper turning direction. The arrows on the gearbox and blades should point the same way.



- 1). Unscrew the hex bolt (b) and the self-locking nut (a) on the tine wheel pair (d).
- 2). Slide the tine-wheel pair off the driveshaft (c).
- 3). Clean the driveshaft with biological oil.
- 4). Slide the new blades onto the driveshaft with the holes on the axles aligned to the holes on the driveshaft (c).
- 5). Slide the hex bolt (b) through the hole and tighten on the self-locking nut(a).

Operating the Electric Tiller

Operating



WARNING! Do not touch the gearbox, as it may become hot during operation.



WARNING! Always keep a firm grip on the tool with both hands and watch your feet. The blades may cause an accident. Be careful while moving backwards – danger of tripping!



WARNING! To avoid damage to the tool:

Never lift or drag the tool with the motor running.

Lift the tool while moving it over hard surfaces such as tiles or steps.

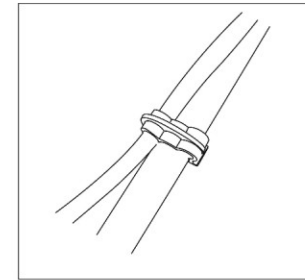


NOTE: Switch the tool off after working with it and for transport; disconnect from the mains and wait for the blades to stop moving.

1. Walk the tool through the soil at normal pace and in as straight a line as possible.
2. Always work away from the mains socket. Make sure that the cable is kept well away from the working area.
3. **OVERLOAD Protection:** The motor will cut out immediately if overloaded. The tool cannot be used until it has completely cooled down again.

Assembly

Step 3 Clamping the cable with cable clip



Clamp the cable in the cable clip and fasten this to the bar.



WARNING! Before switching the tool on, make sure that the tool is not touching any other objects and hold it firmly in both hands.



WARNING! Always keep a firm grip on the tool with both hands and watch your feet. The blades may cause an accident. Be careful while moving backwards danger of tripping!

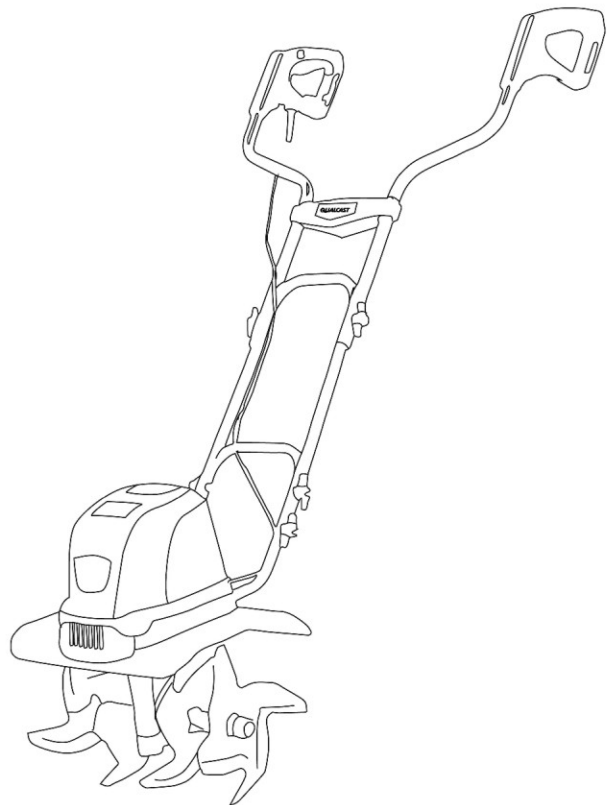


WARNING! Do not touch the gearbox, as it may become hot during operation – danger of burns!

Qualcast 800 W Electric Tiller

Operation and Maintenance Manual

LTEG02A



QUALCAST

Important - Please read these instructions fully before operating or maintaining your electric tiller.

These instructions contain important information that will help you get the best from your electric tiller, ensuring it is assembled correctly and safely. If you need help or have damaged or missing parts, call the Customer Helpline on **01904 727500** prior to returning product to store.

Sep 2015 Rev A

Preparing to Operate the Electric Tiller

Step 1 - Connecting the extension cord to a suitable socket (continued)

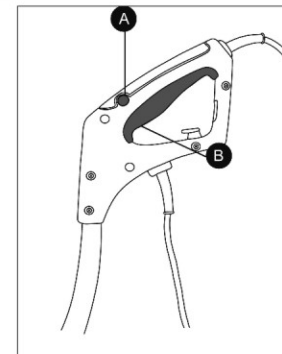


WARNING! Always wear safety gloves when doing any work on the electric tiller.



WARNING! Always unplug the power cord from the power source before doing any work on the electric tiller.

Step 2 - Switch on /off



NOTE! For your safety, this tool is equipped with a double switch system. This system prevents starting the tool inadvertently. You must press the switch button (A) firstly, and then hold the switch trigger (B).

Switching on

1. Press the lock button (A).
2. Hold the switch trigger (B) and release the switch button (A).

Switching off



Release the switch trigger (B).

NOTE! Never attempt to hold the switch trigger without pressing the lock button first!

Customer Helpline **01904 727500**
www.gardenservicecentre.co.uk

Preparing to Operate the Electric Tiller

Preparing to operate the electric tiller

! WARNING! Read all of the instructions of this manual before attempting to connection the power supply for your tool.

! WARNING! If the insulation on a power cable or extension lead is found to be cut or damaged, do not touch it! Disconnect the power supply immediately and have the damaged cable replaced by authorized service agent .

! WARNING! If operating the appliance in a damp location is unavoidable ,use a residual current device(RCD) protected supply. Use of an RCD reduces the risk of electric shock.

! WARNING! Use only extension cords suitable for outdoor use, preferably with a high visibility cable colour.
Always unwind all extension cables fully, coiled cables can overheat and reduce the efficiency of your product.

NOTE **NOTE !** For extension cables up to 15metres, use a wire cross section of 1.5mm². For extension cables over 15 meters but less than 40 meters, use a wire cross section of 2.5 mm².

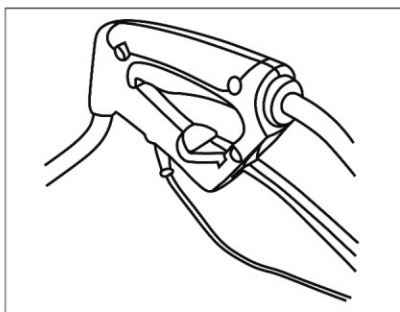
! WARNING! This product is designed to operate on 230-240 VAC 50Hz.The voltage and current must comply with the information on the ratings label!

NOTE **NOTE!** This electric tiller is fitted with a non-rewireable plug. If it is necessary to change the fuse in the plug, the fuse cover becomes lost or damaged, the plug must not be used until a suitable replacement is obtained.

! WARNING! A 13amp fuse must be fitted.

! WARNING! Make sure the on/off switch is in its off position.

Step 1 Connecting the extension cord to a suitable socke



Double the extension cord, about a foot from the end. Push the loop through the hole on the rear safe guard and hook the loop over the cord restrainer. Gently pull on the cord to ensure that it is firmly attached at the handle. Connect the cable to a proper socket.

Contents

Safety Information.....	3
Warning Symbols.....	3
General Safety.....	5
Preparation.....	5
Operation.....	5
Work Area Safety.....	5
Pesonal Safety.....	6
Electrical Safety.....	6
Operation.....	7
Maintenance and Storage.....	8
Service.....	8
Preparing to Operate the Electric Tiller.....	9
Preparing to operate the electric tiller.....	9
Step 1 - Connecting the extension cord to a suitable socket.....	9
Step 2 - Switch on /off.....	10
Operating the Electric Tiller.....	11
Operating.....	11
Maintenance and Repair.....	12
General.....	12
Cutting Device.....	12
Storage and Transportation.....	13
Storage.....	13
Transportation.....	13
Troubleshooting.....	13
Technical Data.....	14
Recycling and Disposal.....	14
Plug Replacement.....	15
Guarantee.....	16

Safety Information

Important - Please read these instructions fully before operating or maintaining

Warning Symbols

The following warning symbols appear through this manual and indicate the appropriate safety measures you should take when operating and maintaining the electric tiller.



Warning.



Read the instruction manual.



Conforms to all relevant safety standards.



Wear eye protection

Wear ear protection.



Wear gloves protection.



Wear foot protection.



Do not expose to rain.



Keep bystanders away. Thrown objects can cause serious injury.



WARNING! Remove plug from the mains immediately if the cable is damaged or cut.

Safety Information

Important - Please read these instructions fully before operating or maintaining

Maintenance and Storage

- a) **Maintain tools with care.** Keep tools clean and in good condition for better and safer performance. Follow the instructions for maintenance and changing accessories. Keep handles and switches dry, clean and free from oil and grease.
- b) **Be careful in handling the tool.** Keep the blades sharp and clean to improve its working safety and effectiveness.
- c) **Store idle power tools out of the reach of children and do not allow persons unfamiliar with the power tool or these instructions to operate the power tool.** Power tools are dangerous in the hands of untrained users.

Service

- a) **Have your tool repaired by an authorized service agent.** This tool is manufactured in accordance with the relevant safety regulations. To avoid danger, electrical appliances must only be repaired by qualified technicians.

Safety Information

Important - Please read these instructions fully before operating or maintaining

Operation

- a) **Be certain the parts are fully tightened before operating the tool.** Check it periodically for tightness during use to avoid serious injury.
- b) **Risk of cut.** Do not touch or try to stop the rotating parts when they are moving.
- c) **Disconnect the plug.** Disconnect plug from the tool when not in use or when servicing or cleaning.
- d) **Check for damaged parts.** Before further use, carefully check the tool for damage. Check for alignment of moving parts, binding of moving parts, breakage of parts, mounting and any other condition that may affect its operation. Do not use the tool if any parts are damaged or defective. Have any damaged or defective parts repaired or replaced by an authorized service agent. Never attempt any repairs yourself.
- e) **Grip the tool securely.** Always hold the tool securely in both hands while working with it.
- f) **Keep handle dry, clean and free from oil and grease.** Slippery handles do not allow for safe handling and control of the tool in unexpected situations.
- g) **Keep cable away from cutting area.** During operation the cable may be hidden in shrubs and can be accidentally cut by the blade.
- h) **Do not overload the tool.** Only work in the performance range stated. Do not use tools that do not have sufficient power for heavy jobs. Do not use the tool for any use other than that intended by the manufacturer.
- i) If there is any danger of slipping on sloped ground, have a second person secure the tool with a rod or cable. The second person should stand up the slope at a safe distance from the tool.
- j) **Avoid damage to the tool.** Do not apply extra weight and do not drag the tool over hard surfaces such as tiles or steps.
- k) **Do not use the tool on excessively steep slopes.** Make sure that you are standing firmly when using the tool, especially on slopes. If working on a slope, work along the slope, not upwards or downwards. Be particularly careful when changing direction on the slope.
- l) **Do not use the power tool if the switch does not turn it on and off.** Any power tool that cannot be controlled with the switch is dangerous and must be repaired.
- m) **Disconnect the plug from the power source before making any adjustments, changing accessories, or storing power tools.** Such preventive safety measures reduce the risk of starting the power tool accidentally.
- n) The use of a residual current device (R.C.D) with a tripping current of not more than 30mA is recommended.

Safety Information

Important - Please read these instructions fully before operating or maintaining

Warning Symbols



Double insulation.



SWITCH OFF! Remove plug from mains before cleaning or maintenance



Danger from damaged mains cable. Keep mains cables away from blades!



Danger of injury from rotating parts. The blades will continue to rotate after the tool has been switched off. Wait for them to stop moving.



Electrical Tool Disposal! In accordance with European Directive 2002/96/EC on waste electrical and electronic equipment and its implementation in national law, Electric tools are collected separately and recycled environmentally. Take advantage of the collection facilities. Ask your local council for the collection systems. If electrical appliances are disposed incorrectly the environment can be poisoned as the hazardous substances enter into the groundwater supplies and entering the food chain, or flora and fauna.









Guaranteed sound power level .

Safety Information

Important - Please read these instructions fully before operating or maintaining

General Safety

-  **WARNING!** Keep this operating and maintenance manual in a safe place for future reference.
-  **WARNING!** Read the instructions carefully. Be familiar with the controls and the proper use of the equipment.
-  **WARNING!** Never allow children or people unfamiliar with these instructions to use the electric tiller. Local regulations can restrict the age of the operator.
-  **WARNING!** Never use the tool while people, especially children, or pets are nearby. Keep in mind that the operator or user is responsible for accidents or hazards occurring to other people or their property.
-  **WARNING!** This appliance is not intended for use by people (including children) with reduced physical, sensory or mental capabilities, or lack of experience and knowledge, unless they have been given supervision or instruction concerning use of the appliance by a person responsible for their safety.
-  **WARNING!** Do not touch the rotating blades until they are stopped.

Preparation

- a) **THIS MACHINE CAN CAUSE SERIOUS INJURIES.** Read the instruction carefully for the correct handling, preparation, maintenance, starting and stopping of the appliance. Be familiar with the controls and the proper use of the appliance. Read and understand the operator's manual and observe the warnings and instruction labels affixed to the appliance.
- b) **Users.** Never allow children or people unfamiliar with these instructions to use the appliance. Local regulations may restrict the age of operator. Never operate the tool under the influence of alcohol, medication or drugs.
- c) **Use appropriate tool.** This device is only intended for break up topsoil in private house and hobby gardens. Do not force small tools or attachments to do the job of a heavy duty tool.

Work Area Safety

- a) **Keep work areas clean.** Check the terrain on which will be using the tool, and remove stones, sticks, wires or other foreign objects that may be caught up and spun off.
- b) **Consider work area environment.** Do not expose your tool to high humidity or rain. Do not use your tool in damp and wet conditions. Keep the work area well lit.
- c) **Keep all bystanders, children, and pets at least 50 feet away.** The operator or user is responsible for accidents or hazards occurring to other people or the property.
- d) **Do not operate power tools in explosive atmospheres, such as in the presence of flammable liquids, gases or dust.** Power tools create sparks which may ignite the dust or fumes.

Safety Information

Important - Please read these instructions fully before operating or maintaining

Personal Safety

- a) **Use personal protective equipment (PPE).** Always wear eye protection. Protective equipment such as dust mask, non-skid safety shoes, hard hat, or hearing protection used for appropriate conditions will reduce personal injuries.
- b) **Dress appropriately.** Do not wear loose clothing or jewellery, as these can be caught in moving parts. Preferably wear non-slip footwear when working outdoors. Wear protective hair covering to keep long hair out of the way.
- c) **Stay alert, watch what you are doing and use common sense when operating a power tool. Do not use a power tool while you are tired or under the influence of drugs, alcohol or medication.** A moment of inattention while operating power tools may result in serious personal injury.
- d) **Prevent unintentional starting. Ensure the switch is in the off-position before connecting to power source and/or battery pack, picking up or carrying the tool.** Carrying power tools with your finger on the switch or energising power tools that have the switch on invites accidents.
- e) **Keep all parts of the body away from the blades. Make sure the switch is off when clearing jammed material.** A moment of inattention while operating the electric tiller may result in serious personal injury.
- f) **Do not overreach. Keep proper footing and balance at all times.** This enables better control of the power tool in unexpected situations.

Electrical Safety

- a) **Power tool plugs must match the outlet. Never modify the plug in any way. Do not use any adapter plugs with earthed (grounded) power tools.** Unmodified plugs and matching outlets will reduce risk of electric shock.
- b) **Avoid body contact with earthed or grounded surfaces, such as pipes, radiators, ranges and refrigerators.** There is an increased risk of electric shock if your body is earthed or grounded.
- c) **Do not expose power tools to rain or wet conditions.** Water entering a power tool will increase the risk of electric shock.
- d) **Do not abuse the cord. Never use the cord for carrying, pulling or unplugging the power tool. Keep cord away from heat, oil, sharp edges or moving parts.** Damaged or entangled cords increase the risk of electric shock.
- e) **When operating a power tool outdoors, use an extension cord suitable for outdoor use.** Use of a cord suitable for outdoor use reduces the risk of electric shock.