

**OLYMPIATOOLS®**  
GOOD QUALITY. GREAT VALUE.

# USER MANUAL

**X20s™**  
BATTERY SYSTEM

**HEDGE TRIMMER**

**1x 2AH**

X20SCHT1



**CE**

## CONTENTS

---

# CONTENTS

<b>SAFETY INFORMATION</b> .....	3-8	<b>TROUBLE SHOOTING</b> .....	13
<b>SAFETY WARNING SYMBOLS</b> .....	3	Reasons for different battery pack working times .....	13
Safety warning symbols - Hedge trimmer .....	3	The trimmer is not cutting properly .....	13
Safety warning symbols - Battery charger .....	3	The trimmer will not operate .....	13
Safety warning symbols - Battery .....	3	The battery will not charge .....	13
Compliance and recycling symbols .....	3	<b>MAINTENANCE</b> .....	13
<b>SAFETY WARNINGS - GENERAL POWER TOOLS</b> .....	4-5	<b>TECHNICAL SPECIFICATIONS</b> .....	14-15
Work area safety .....	4	Hedge trimmer .....	14
Electrical safety .....	4	Battery pack .....	14
Personal safety .....	4-5	Battery pack charger .....	14
Power tool use and care .....	5	Noise/vibration information .....	15
Battery tool use and care .....	5	<b>DISPOSAL</b> .....	16
Service .....	5	Packaging materials .....	16
<b>SAFETY WARNINGS - HEDGE TRIMMER</b> .....	6-7	Electrical products .....	16
<b>SAFETY WARNINGS - BATTERY PACK</b> .....	7	Batteries .....	16
<b>SAFETY WARNINGS - BATTERY PACK CHARGER</b> .....	8	<b>STORAGE</b> .....	16
<b>IN THE BOX</b> .....	9	<b>TRANSPORT</b> .....	17
<b>OPERATION INSTRUCTIONS</b> .....	10-13	<b>GUARANTEE</b> .....	17
Intended use .....	10	<b>EU DECLARATION OF CONFORMITY</b> .....	18
Charging the battery pack .....	10		
Installing and removing the battery pack .....	10		
Assembly .....	11		
Starting and stopping .....	11		
Preparing to use your hedge trimmer .....	11		
Trimming .....	12		
Side cutting .....	12		
Top cutting .....	12		
Checking the battery pack capacity .....	12		
Disposal of an exhausted battery pack .....	12		
Overload protection .....	12		
Temperature dependent overload protection .....	13		
Protection against deep discharging .....	13		

## SAFETY INFORMATION



**IMPORTANT:** To reduce risk of injury, please read this user guide before assembly.

## SAFETY WARNING SYMBOLS

The following warning symbols appear throughout this user guide and indicate the appropriate safety measures you should take when assembling and operating the hedge trimmer.

### ⚠ WARNING!

This symbol marks a point of safety, indicating a warning. Ignoring this safety symbol could result in an accident to yourself or others. To limit the risks of injury, fire or electrocution, always follow the recommendations indicated.

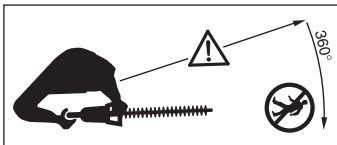
### Safety warning symbols - Hedge trimmer



Beware of flying objects. Keep bystanders away.



Keep hands and fingers away from the blades



Keep people out of work area during operation. A distance of at least 15m must be observed.



Do not expose and operate the tool in rain



Disconnect the battery pack before making any adjustments



Guaranteed sound power level data (97dB) in accordance with Directive 2000/14/EC

### Safety warning symbols - Battery charger



Protection Class II (double insulated)



For indoor use only



Indicates T3.15A time lag fuse with rated current of 3.15A

### Safety warning symbols - Battery



Do not burn



Do not expose to rain or water



Do not expose the battery to sunlight or excessive temperatures. Do not charge or store the battery where the temperature is below 0°C or greater than 45°C.



Positive terminal



Negative terminal



Olympia Tools provides a facility for the collection and recycling of rechargeable LI-ION batteries once they have reached the end of their working life. To dispose of your battery please return to any Olympia Tools stockist who will collect on our behalf. Alternatively consult your local waste authority for information regarding available recycling and/or disposal options. Your battery will then be recycled or dismantled in order to reduce the impact on the environment. Battery packs can be hazardous for the environment and for human health since they contain hazardous substances.

### Compliance and recycling symbols



Complies with relevant European regulations



Waste electrical products must not be disposed of with household waste. Please recycle where facilities exist. Check with your local authority or retailer for recycling advice.

## SAFETY INFORMATION



**IMPORTANT:** To reduce risk of injury, please read this user guide before assembly.

## SAFETY WARNINGS - GENERAL POWER TOOLS

### ⚠ WARNING!

Read all safety warnings and instructions. Failure to follow warnings and instructions may result in electric shock, fire and/or serious injury.

Save all warnings and instructions for future reference.

The term "power tool" in the warnings refers to your mains-operated (corded) power tool or battery-operated (cordless) power tool.

### Work area safety

1. **Keep work area clean and well lit.** Cluttered or dark areas invite accidents.
2. **Do not operate power tools in explosive atmospheres, such as in the presence of flammable liquids, gases or dust.** Power tools create sparks which may ignite the dust or fumes.
3. **Keep children and bystanders away while operating a power tool.** Distractions can cause you to lose control.

### Electrical safety

1. **Power tool plugs must match the outlet. Never modify the plug in any way. Do not use any adapter plugs with earthed (grounded) power tools.** Unmodified plugs and matching outlets will reduce risk of electric shock.

2. **Avoid body contact with earthed or grounded surfaces, such as pipes, radiators, ranges and refrigerators.** There is an increased risk of electric shock if your body is earthed or grounded.
3. **Do not expose power tools to rain or wet conditions.** Water entering a power tool will increase the risk of electric shock.
4. **Do not abuse the cord. Never use the cord for carrying, pulling or unplugging the power tool. Keep cord away from heat, oil, sharp edges or moving parts.** Damaged or entangled cords increase the risk of electric shock.
5. **When operating a power tool outdoors, use an extension cord suitable for outdoor use.** Use of a cord suitable for outdoor use reduces the risk of electric shock.
6. **If operating a power tool in a damp location is unavoidable, use a residual current device (RCD) protected supply.** Use of an RCD reduces the risk of electric shock.

### Personal safety

1. **Stay alert, watch what you are doing and use common sense when operating a power tool. Do not use a power tool while you are tired or under the influence of drugs, alcohol or medication.** A moment of inattention while operating power tools may result in serious personal injury.
2. **Do not let familiarity gained from frequent use of the tool allow you to become complacent and ignore safety principles.** A careless action can cause severe injury within a fraction of a second.
3. **Use personal protective equipment. Always wear eye protection.** Protective equipment such as dust mask, non-skid safety shoes, hard hat, or hearing protection used for appropriate conditions will reduce personal injuries.



4. **Do not handle the plug or appliance with wet hands.**
5. **Remove any adjusting key or wrench before turning the power tool on.** A wrench or a key left attached to a rotating part of the power tool may result in personal injury.
6. **Do not overreach. Keep proper footing and balance at all times.** This enables better control of the power tool in unexpected situations.
7. **Dress properly. Do not wear loose clothing or jewellery. Keep your hair, clothing and gloves away from moving parts.** Loose clothes, jewellery or long hair can be caught in moving parts.
8. **If devices are provided for the connection of dust extraction and collection facilities, ensure these are connected and properly used.** Use of dust collection can reduce dust-related hazards.
6. **Keep handles and soft grip areas dry, clean, and free from oil and grease.** Slippery handles and soft grip areas do not allow for the safe handling and control of the tool in unexpected situations.
7. **Keep cutting tools sharp and clean.** Properly maintained cutting tools with sharp cutting edges are less likely to bind and are easier to control.
8. **Use the power tool, accessories and tool bits etc. in accordance with these instructions, taking into account the working conditions and the work to be performed.** Use of the power tool for operations different from those intended could result in a hazardous situation.

### Power tool use and care

1. **Do not force the power tool. Use the correct power tool for your application.** The correct power tool will do the job better and safer at the rate for which it was designed.
2. **Do not use the power tool if the switch does not turn it on and off.** Any power tool that cannot be controlled with the switch is dangerous and must be repaired.
3. **Disconnect the plug from the power source and/or the battery pack from the power tool before making any adjustments, changing accessories, or storing power tools.** Such preventive safety measures reduce the risk of starting the power tool accidentally.
4. **Store idle power tools out of the reach of children and do not allow persons unfamiliar with the power tool or these instructions to operate the power tool.** Power tools are dangerous in the hands of untrained users.
5. **Maintain power tools. Check for misalignment or binding of moving parts, breakage of parts and any other condition that may affect the power tool's operation. If damaged, have the power tool repaired before use.** Many accidents are caused by poorly maintained power tools.

### Battery tool use and care

1. **Recharge only with the charger specified by the manufacturer.** A charger that is suitable for one type of battery pack may create a risk of fire when used with another battery pack.
2. **Use power tools only with specifically designated battery packs.** Use of any other battery packs may create a risk of injury and fire.
3. **When battery pack is not in use, keep it away from other metal objects, like paper clips, coins, keys, nails, screws or other small metal objects, that can make a connection from one terminal to another.** Shorting the battery terminals together may cause burns or a fire.
4. **Under abusive conditions, liquid may be ejected from the battery; avoid contact. If contact accidentally occurs, flush with water. If liquid contacts eyes, additionally seek medical help. Liquid ejected from the battery may cause irritation or burns.**

### Service

Have your power tool serviced by a qualified repair person using only identical replacement parts. This will ensure that the safety of the power tool is maintained.

## SAFETY INFORMATION



**IMPORTANT:** To reduce risk of injury, please read this user guide before assembly.

## SAFETY WARNINGS - HEDGE TRIMMER

### **⚠ WARNING!**

**Risk of injury. The blades continue to move after the motor is switched off. Do not try to stop the blades with your hands. Always let the blades come to a stop by themselves.**

1. Wear safety goggles when operating this tool.
2. Dress properly. Do not wear loose clothing or jewellery that can be entangled in moving parts or be drawn into the air inlet. Secure long hair so that it is above shoulder level.
3. Be familiar with the controls and proper use of the hedge trimmer.
4. Only use the trimmer in daylight or good artificial light.
5. Operate the device only at reasonable hours i.e. not early in the morning or late at night when people may be disturbed.
6. Do not use the hedge trimmer in bad weather conditions, especially if there is a risk of lightning.
7. Do not expose the tool to rain or high humidity. If a tool is exposed to moisture it will increase the risk of electrical shock, battery damage, fire, or explosion.
8. Never allow children or people unfamiliar with the instructions to use the hedge trimmer.
9. Check that all components have been correctly fitted and are secure.
10. Always check the good working order of the hedge trimmer which, if not adequate, could endanger the user.
11. Never operate the hedge trimmer with damaged guards or shields or without guards or shields in place.
12. Check hedges and bushes for foreign objects e.g. wire fences.
13. Keep all power cords and cables away from the cutting area. Power cords or cables may be hidden in hedges or bushes and can be accidentally cut by the blades.
14. Do not switch the machine on in enclosed or poorly ventilated spaces or the presence of flammable and/or explosive substances such as liquids, gas, and powders.
15. Keep all parts of your body away from any moving parts, especially when switching on the motor.
16. Do not operate the hedge trimmer within 15m/49ft of children, bystanders, or pets.
17. The use of hearing protection reduces the ability to hear warnings (shouts or alarms). The operator must pay extra attention to what is going on in the work area.
18. Do not get distracted. A moment of inattention while operating the hedge trimmer may result in serious personal injury or damage.
19. The hedge trimmer is intended to be used by the operator at ground level and not on ladders or any other unstable support.
20. Always remain in a stable and secure position while operating the garden bower. Keep a firm hand on the soft grip area. Do not overreach. Walk, never run.
21. Hold the power tool by insulated gripping surfaces, when performing an operation where the cutting accessory may contact hidden wiring. A cutting accessory contacting a "live" wire may make exposed metal parts of the power tool "live" and could give the operator an electric shock.
22. Use both hands when operating the hedge trimmer. Using one hand could cause loss of control and result in serious personal injury.
23. Do not remove cut material or hold material to be cut when the blades are moving. Blades continue to move after the switch is turned off.
24. Take care to avoid hard objects e.g. metal wire, railings, etc. when trimming.

25. Remember that the operator or user is responsible for accidents or hazards occurring to other people and or their property.
26. After any impact, always check for signs of wear or damage and repair as necessary. Do not operate the tool with damaged or excessively worn blades.
27. Beware of any overhead power lines.
28. Unexpected actuation of the hedge trimmer may result in serious personal injury. Always make sure the switch is in the off position and remove the battery pack whenever:
  - Leaving the machine unattended
  - Clearing a blockage
  - Installing or removing attachments
  - Checking after striking a foreign object
  - Cleaning, maintaining, or working on the tool
  - The machine starts vibrating abnormally
29. When transporting or storing the hedge trimmer, always fit the blade guard. Proper handling of the hedge trimmer will decrease the risk of personal injury from the blades.
30. To avoid unintentional starting, do not carry the machine with a finger on the On/off switch. Proper handling of the hedge trimmer will decrease the risk of personal injury.
31. Never modify the product or use replacement parts or accessories not provided or recommended by the manufacturer.
32. Always ensure that ventilation openings are kept clear of debris.

## SAFETY INFORMATION



**IMPORTANT:** To reduce risk of injury, please read this user guide before assembly.

## SAFETY WARNINGS - BATTERY PACK

1. Do not dismantle, open or shred cells or battery pack.
2. Do not short-circuit a battery pack. Do not store battery packs haphazardly in a box or drawer where they may short-circuit each other or be short-circuited by conductive materials. When battery pack is not in use, keep it away from other metal objects, like paper clips, coins, keys, nails, screws or other small metal objects, that can make a connection from one terminal to another. Shorting the battery terminals together may cause burns or a fire.
3. Do not expose battery pack to heat or fire. Avoid storage in direct sunlight.
4. Do not subject battery pack to mechanical shock.
5. In the event of battery leaking, do not allow the liquid to come into contact with the skin or eyes. If contact has been made, wash the affected area with copious amounts of water and seek medical advice.
6. Seek medical advice immediately if a cell or battery pack has been swallowed.
7. Keep battery pack clean and dry.
8. Wipe the battery pack terminals with a clean dry cloth if they become dirty.
9. Battery pack needs to be charged before use. Always refer to this user guide and use the correct charging procedure.
10. Do not maintain battery pack on charge when not in use.
11. After extended periods of storage, it may be necessary to charge and discharge the battery pack several times to obtain maximum performance.
12. Battery pack gives its best performance when it is operated at normal room temperature (20 °C ± 5 °C).
13. When disposing of battery packs, keep battery packs of different electrochemical systems separate from each other.

14. **Recharge only with the charger specified by manufacturer.** Do not use any charger other than that specifically provided for use with the equipment. A charger that is suitable for one type of battery pack may create a risk of fire when used with another battery pack.
15. **Do not use any battery pack which is not designed for use with the equipment.**
16. **Keep battery pack out of the reach of children.**
17. **Retain this user guide for future reference.**
18. **Remove the battery from the equipment when not in use.**
19. **Dispose of properly.**

## SAFETY INFORMATION



**IMPORTANT:** To reduce risk of injury, please read this user guide before assembly.

## SAFETY WARNINGS - BATTERY PACK CHARGER

### **WARNING!**

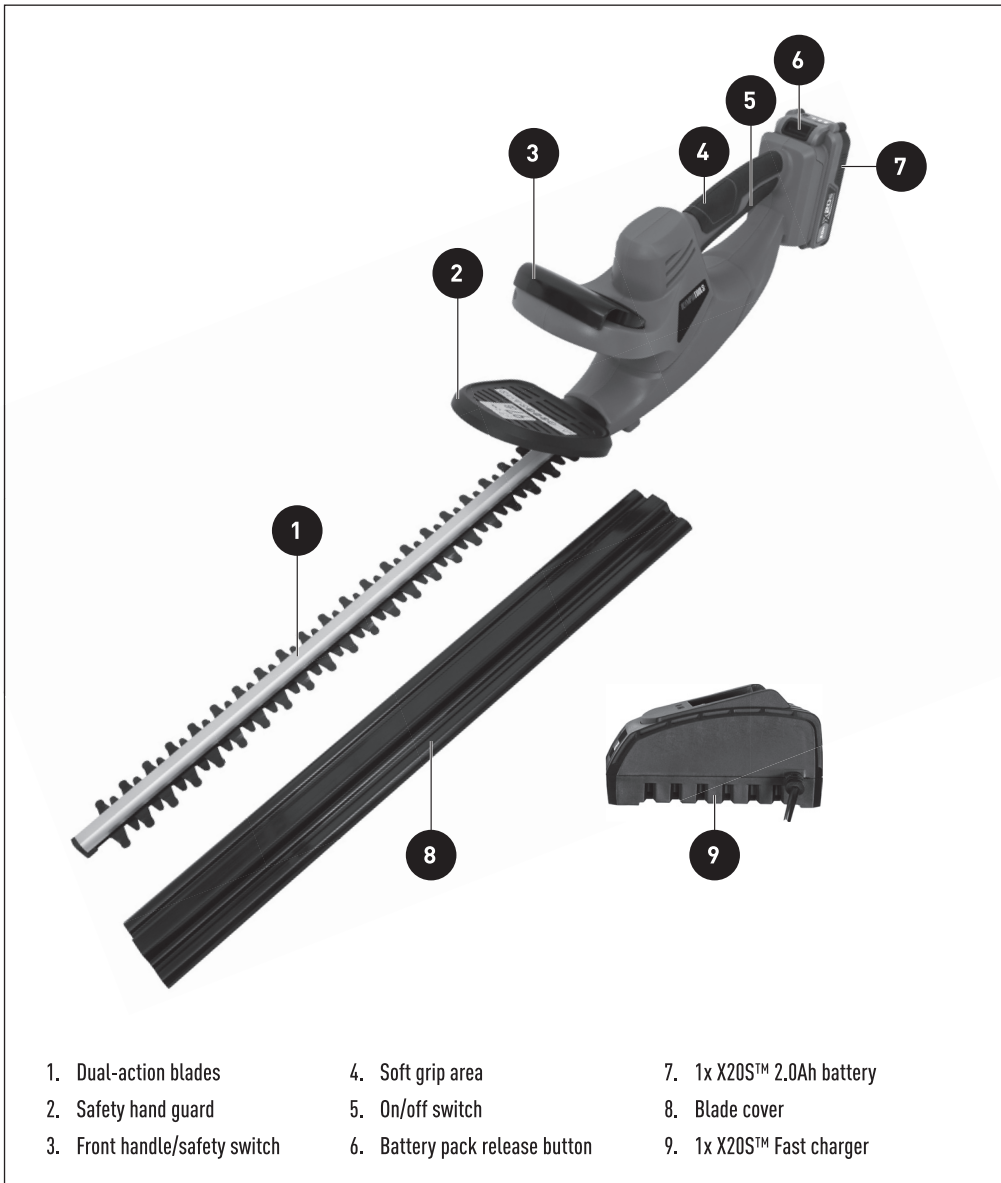
Read all safety warnings and instructions. Failure to follow warnings and instructions may result in electric shock, fire and/or serious injury.

Save all warnings and instructions for future reference.

This appliance is not intended to be used by children or persons with reduced physical, sensory, or mental capabilities, or with a lack of experience and knowledge, or persons who are not familiar with the instructions. Local regulations may restrict the age of the operator. Do not allow to be used as a toy. If the supply cord is damaged, it must be replaced by the manufacturer, its service agent or similarly qualified persons in order to avoid a hazard.

1. Before charging, read the instructions.
2. After charging, disconnect the battery charger from the supply mains. Then remove the chassis connection and then the battery connection.
3. Do not charge a leaking battery.
4. Do not use chargers for works other than those for which they are designed.
5. Before charging, ensure charger matches the local AC supply.
6. For indoor use, do not expose to rain.
7. The charging device must be protected from moisture.
8. Do not use the charging device in the open.
9. Do not short out the contacts of battery or charger.
10. Respect the polarity “+/-” when charging.
11. Do not open the unit and keep out of the reach of children.
12. Do not charge the batteries of other manufactures or ill-suited models.
13. Ensure that the connection between the battery charger and battery is correctly positioned and is not obstructed by foreign bodies.
14. Check battery charger’s slots are free of foreign objects and protect against dirt and humidity. Store in a dry and frost-free place.
15. When charging batteries, ensure that the battery charger is in a well-ventilated area and away from inflammable materials. Batteries can get hot during charging. Do not overcharge batteries. Ensure that batteries and chargers are not left unsupervised during charging.
16. Do not recharge non-rechargeable batteries, as they can overheat and break.
17. Longer life and better performance can be obtained if the battery pack is charged when the air temperature is between 18°C and 24°C. Do not charge the battery pack in air temperatures below 4°C, or above 40°C. This is important as it can prevent serious damage to the battery pack.
18. Charge only battery packs of the same model. provided by manufacturer and of models recommended by manufacturer.

## IN THE BOX



## OPERATION INSTRUCTIONS

# OPERATION INSTRUCTIONS



**IMPORTANT:** To reduce risk of injury, please read this user guide before use.

### Intended use

This machine is intended for trimming hedges, shrubs, and brambles. It may not be used for any other purpose.

### Charging the battery pack (See fig. A)

Before putting into operation charge the tool or battery pack.

1. Do not use any charger other than that specifically provided for use with the equipment.
2. If the battery pack is very hot you must remove your battery pack from the charger and allow time for the battery to cool down before recharging.
3. The battery in your new tool is not charged when it leaves the plant. Therefore it must be fully charged before using the first time.
4. Please charge the battery to reach full or no less than half charge before storage. If the tool will not be used for long periods of time, charge the battery every 3-6 months.

Plug the charger into a suitable power outlet before inserting the battery. Slide the battery pack into the charger ensuring that it is firmly seated and locked in place. The red (charging) light will illuminate and indicates that the charging process is in progress. A green light indicates that charging is complete. Remove the plug from the power outlet and slide the battery pack from the charger. The battery is ready for use.

### **⚠ WARNING!**

When charging, the charger and battery may become warm to the touch, this is normal and does not indicate a problem.

When battery charge runs out after continuous use or exposure to direct sunlight or heat, allow time for the tool to cool down before re-charging to achieve the full charge.

Fig. A



### Installing and removing the battery pack (See fig. B)

### **⚠ WARNING!**

When installing and removing the battery, take care not to touch either the front handle/safety switch (3) or On/off switch (4).

1. To remove the battery pack  
Press the battery pack release button (5) firmly first and then slide the battery pack out from your tool.
2. To install the battery pack  
Slide the fully charged battery pack onto the tool with sufficient force until it clicks into position.

Fig. B

Press & pull



## Assembly

### **⚠ WARNING!**

Remove the battery pack from the power tool before making any adjustments, changing accessories, or storing power tools. The blades continue to move after the motor is switched off. Do not try to stop the blades with your hands. Always let the blades come to a stop by themselves.

## Starting and Stopping (See fig. C1 & C2)

### Removing the blade cover:

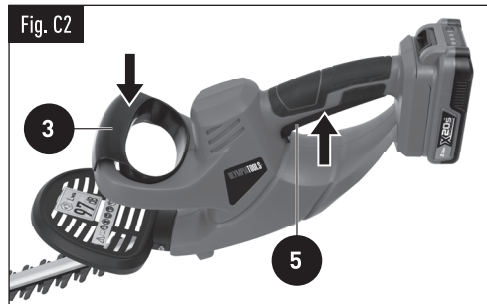
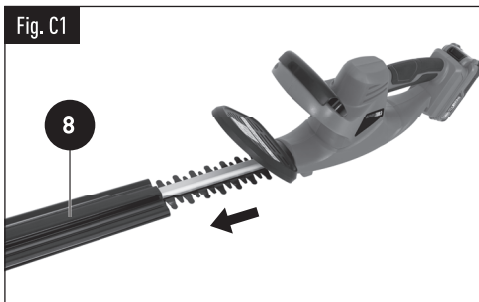
1. Before starting your hedge trimmer, remove the blade cover (7).

### Switching on:

1. For your safety, this tool is equipped with a dual-action safety switch. This system prevents the tool from inadvertently starting and will only allow operation while holding the machine with both hands.
2. Depress and hold the front handle/safety switch (3), then press the On/off switch (4) on the rear handle.

### Switching off:

1. First, move the hedge trimmer away from the cutting area before stopping. To stop, release either the front handle/safety switch (3) or the On/off switch (4). The Trimmer will stop almost immediately.



## Preparing to use your hedge trimmer

1. If using a step ladder make sure it is securely located and if working at height, tie the ladder to the thicker inner branches of the hedge.
2. Inspect the area to be cut before each use, and remove objects that can be thrown or become entangled in the cutting blades.
3. Ensure no people or animals are in the work area.
4. Always hold the hedge trimmer with both hands and with the blade away from you before turning it on.
5. When trimming new growth, use a wide sweeping action so that the stems are fed directly into the blade.
6. Allow the cutting blades to reach full speed before entering the material to be cut.
7. Always work in the direction going away from people and solid objects such as walls, large stones, trees, vehicles, etc.
8. If the blade jams, immediately stop the hedge trimmer. Remove the battery pack and clear any foreign objects from the cutting blades.
9. Wear gloves when trimming thorny or prickly growth.
10. Move the hedge trimmer to feed the branches directly into the cutting blades.
11. Do not try to cut stems that are too large to feed into the cutting blades.

## OPERATION INSTRUCTIONS

### Trimming

For better hedge trimming results:

1. Cut branches too thick for the hedge trimmer with a manual pruner before trimming.
2. Avoid over-cutting; trim in stages. Smaller trimmings make for easier disposal of composting.

### Side cutting (See Fig. D)

First, cut both sides of the hedge. Begin from the bottom and cut upwards while tapering inwards at the top. This exposes more of the hedge for uniform growth and prevents trimmings from falling onto uncut areas.



### Top cutting (See Fig. E)

After cutting the sides of the hedge, proceed to the top. Using a wide sweeping motion, try to keep the hedge trimmer at approximately 15° to the top of the hedge gives the best cutting results.



### Checking the battery pack capacity (See fig. F)

Check the battery capacity via the coloured LEDs. Press the button and check the LEDs:

Light	Status
1 green light on	Battery too low
2 green lights on	Battery half charged
3 green lights on	Battery fully charged



### Disposal of an exhausted battery pack

Olympia Tools provides a facility for the collection and recycling of rechargeable LI-ION batteries once they have reached the end of their working life. To dispose of your battery please return to any Olympia Tools stockist who will collect them on our behalf. Alternatively consult your local waste authority for information regarding available recycling and/or disposal options. It will then be recycled or dismantled in order to reduce the impact on the environment. Battery packs can be hazardous for the environment and for human health since they contain hazardous substances.

Discharge your battery pack by operating your hedge trimmer, then remove the battery pack from the hedge trimmer housing and cover the battery pack connections with heavy-duty adhesive tape to prevent short circuit and energy discharge. Do not attempt to open or remove any of the components.

### Overload protection

When overloaded, the motor comes to a stop. Relieve the load on the tool immediately and release the On/off switch. Restart the tool as normal.

### Temperature dependent overload protection

When used as intended the power tool cannot be subject to overload. When the load is too high or the allowable battery temperature is too hot, the electronic control switches off the power tool until the temperature is in the optimum temperature range again.

### Protection against deep discharging

The LI-ION battery is protected against deep discharging by the "Discharging Protection System". When the battery is empty, the tool is switched off by means of a protective circuit. The hedge trimmer will no longer move. Remove the battery and recharge.

## TROUBLE SHOOTING

### Reasons for different battery pack working times?

Prolonged storage of a battery pack without use will reduce the battery pack working time. This can be corrected after several charge and discharge operations by charging and working with your hedge trimmer. Heavy working conditions such as large screws into hard wood will use up the battery pack energy faster than lighter working conditions. Do not re-charge your battery pack below 0°C and above 45°C as this will affect performance.

### The trimmer is not cutting properly.

Check the condition of the blades (1). If the blades are blunt or there are signs of damage, return the hedge trimmer to an authorised dealer for repair.

### The trimmer will not operate.

Check the battery pack assembly. Charge the battery: The operation of the hedge trimmer is dependent upon sufficient charge in the battery pack.

### The battery will not charge.

Check to see if the battery (6) is properly inserted into the charger base, and make sure the indicator light is on. If not, check the power supply to the socket used for the charger plug.

If a fault is suspected return the hedge trimmer to an authorised dealer for repair.

## MAINTENANCE

### WARNING!

Remove the battery pack from the power tool before performing any maintenance or cleaning.

Your tool requires no additional lubrication or maintenance. There are no serviceable parts in your power tool.

Keep all nuts, bolts, and screws tight, to be sure the equipment is in safe, working condition.

Never use water or chemical cleaners to clean your power tool. Wipe clean with a dry cloth.

Always store your power tool in a dry place.


Keep the motor ventilation slots clean. Keep all working controls free of dust.

Occasionally you may see sparks through the ventilation slots. This is normal and will not damage your power tool.


Do not make any adjustments and repairs not described in this manual. For other repairs contact an authorised dealer for repair.

## TECHNICAL SPECIFICATIONS




### Hedge trimmer

Model	ET1609-510 (X20SCHT1)
Code	09-001
Battery voltage	20V 
Battery capacity	2x X20S™ 2.0Ah LI-ION 40Wh
Charge time	1 hour
Cuts per minute	2400cpm
Blade length	590mm
Cutting length	510mm
Max. cutting diameter	Ø16mm
No-load speed	1200/min
Weight (incl 2Ah battery)	2.35kg

### Battery pack

Model	B0P-SP07-20ZM [X20SB2]
Code	09-990
Battery voltage	20V 
Battery capacity	2Ah LI-ION 40Wh

### Battery pack charger

Model	B0Q-SP06-20ZB [X20SFC]
Code	09-990
Input	220-240V~50/60Hz
Output	DC20V  2.4A
Charging time	1 hour
Protection class II	
For indoor use only	
Fuse	3.15A

**Noise/vibration information**

**Noise**

A weighted sound pressure	$L_{pA}$ : 82.3dB(A)
A weighted sound power	$L_{wA}$ : 93.3dB(A)
	$K_{pA}$ and $K_{wA}$ = 3.0dB(A)

**⚠ WARNING!**

Wear ear protection when sound pressure is over: 80dB(A)

**Vibration**

Vibration total values (triax vector sum) determined according to EN 62841:

Trimming	Vibration emission value $a_{h,D} = 1.89m/s^2$
	Uncertainty $K = 1.5m/s^2$

The declared vibration total value may be used for comparing one tool with another, and may also be used in a preliminary assessment of exposure.

**⚠ WARNING!**

The vibration emission value during actual use of the power tool can differ from the declared value depending on the ways in which the tool is used for example:

How the tool is used and the materials being cut or drilled.

The tool being in good condition and well maintained.

Use of the correct accessory for the tool and ensuring it is sharp and in good condition.

The tightness of the grip on the handles and whether any anti-vibration accessories are used.

The tool is being used as intended by its design and as detailed in this user guide.

**This tool may cause hand-arm vibration syndrome if its use is not adequately managed.**

**⚠ WARNING!**

To be accurate, an estimation of exposure level in the actual conditions of use should also take account of all parts of the operating cycle such as the times when the tool is switched off and when it is running idle but not actually doing the job. This may significantly reduce the exposure level over the total working period.

**ALWAYS** use sharp chisels, drills and blades.

Maintain this tool in accordance with these instructions and keep well lubricated (where appropriate).

If the tool is to be used regularly then invest in anti-vibration accessories.

Avoid using tools in temperatures of 10°C or less.

Plan your work schedule to spread any high vibration tool use across a number of days.

## DISPOSAL

### Packaging materials

Dispose of in an environmentally friendly way by adding to your recyclable waste bin, or by taking it to a public collection centre.



### Electrical products

Waste electrical products should not be disposed of with household waste. Please recycle where facilities exist. Check with your Local Authority or retailer for recycling advice.



### Batteries

Olympia Tools provides a facility for the collection and recycling of rechargeable LI-ION batteries once they have reached the end of their working life. To dispose of your battery please return to any Olympia Tools stockist who will collect on our behalf. Alternatively consult your local waste authority for information regarding available recycling and/or disposal options. Your battery will then be recycled or dismantled in order to reduce the impact on the environment. Battery packs can be hazardous for the environment and for human health since they contain hazardous substances.



## STORAGE

Store the machine, operating instructions and where necessary the accessories in the original packaging. In this way you will always have all the information and parts ready to hand.

Pack the device well or use the original packaging in order to avoid transit damage.

Always keep the machine in dry place.

## TRANSPORT

### ⚠ WARNING!

LI-ION batteries are subject to Dangerous Goods Legislation. The process for shipping LI-ION batteries can be difficult. There are many regulations you need to adhere to, and specific packaging and labelling instructions you need to follow when sending LI-ION batteries by ground or air via a third party (air freight, courier, etc.)

Ensure you take account of UN3481 regulations and any more detailed national regulations. If in doubt, contact the service provider you have chosen to ship your LI-ION batteries or consult an expert for hazardous material.

### ⚠ WARNING!

- Make sure your LI-ION battery is contained in its associated device
- Seal the On/off switches and any electrical terminals with tape
- Place your device in a plastic bag before packaging it
- Make sure you attach the correct shipping label for the service you're using to ship your LI-ION batteries
- You are responsible for ensuring all documentation is correct
- Make sure your package is secure and will not break if it is dropped
- Use as much hard-wearing packaging as you can
- You are not allowed to ship faulty LI-ION batteries
- Batteries can be transported by road without further requirements

## GUARANTEE

This product is selected for **DOMESTIC USE ONLY** and not for business use. This product is guaranteed against manufacturing defects for a period of 24 months. This does not cover the product where the fault is due to misuse, abuse, use in contravention of the instructions, or where the product has been the subject of unauthorised modifications or alterations, or has been the subject of commercial use. In the event of a problem with the product within the guarantee period please return it to your nearest store. If the item is shown to have an inherent defect present at the time of sale, the store will provide you with a replacement. Your statutory rights remain unaffected.

## EU DECLARATION OF CONFORMITY

### 1. Apparatus product/model

Product: X20S™ Hedge trimmer 1x 2Ah

Model: ET1609-510 (X20SCHT1)

### 2. This declaration of conformity is issued under the sole responsibility of the manufacturer

### 3. Object of the declaration

Product: X20S™ Hedge trimmer 1x 2Ah

Model: ET1609-510 (X20SCHT1)

Rated voltage: 20V

### 4. This X20S™ Hedge trimmer 1x 2Ah model number ET1609-510 (X20SCHT1) fully complies with the Machinery Directive 2006/42/EC, Electromagnetic Compatibility Directive 2014/30/EC, RoHS Directive 2011/65/EU and the following harmonized EU standards:

EN 62841-1:2015+AC:2015+A11:2022

EN 62841-4-2:2019

EN IEC 55014-1:2021

EN IEC 55014-2:2021

### 5. This declaration is made under the sole responsibility of:

**SUMEC HARDWARE AND TOOLS CO., LTD.**

No. 1 Xinghuo Road, Jiangbei New Area, Nanjing, Jiangsu, 210061 China

Chief Engineer

Wenjun

Date: Dec,25,2023





# OLYMPIATOOLS®

GOOD QUALITY. GREAT VALUE.

UK: Olympia Tools [UK] Ltd, Bull Lane,  
Wednesbury, West Midlands, WS10 8RW

EU: Tucks O'Brien Ltd, 24 Magna Drive,  
Magna Business Park, Citywest Road,  
Dublin D24 FNYQ, Ireland

**09-001**