



# User Manual

Spend a little Live a lot



Original instructions

## 1000W Lawn Mower

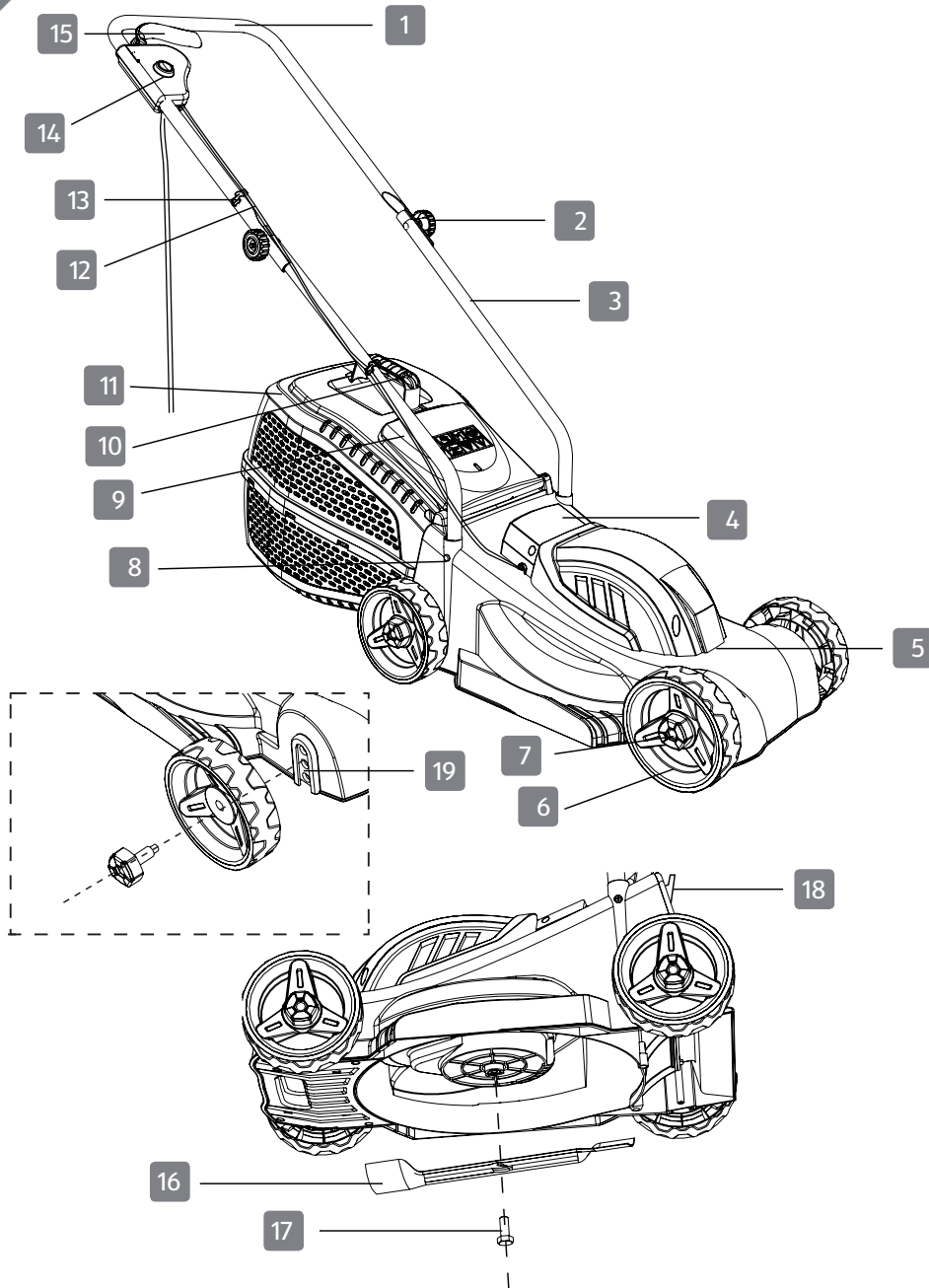
GERM32



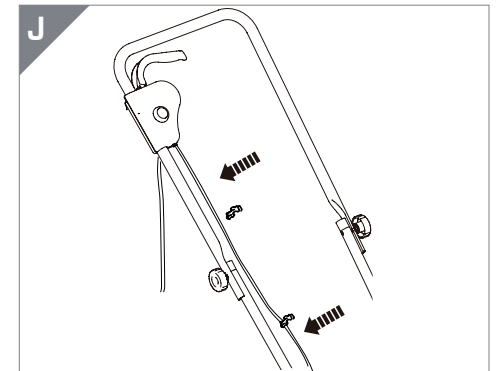
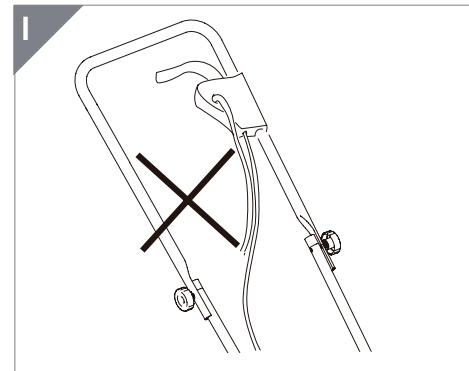
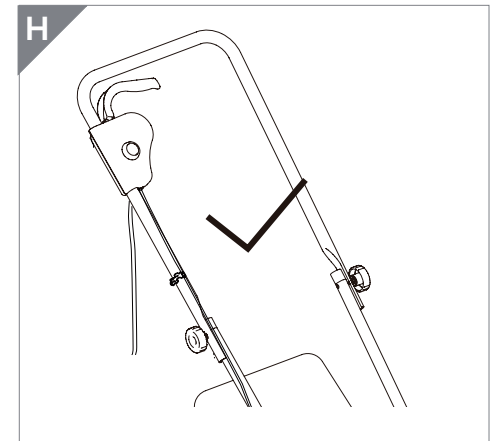
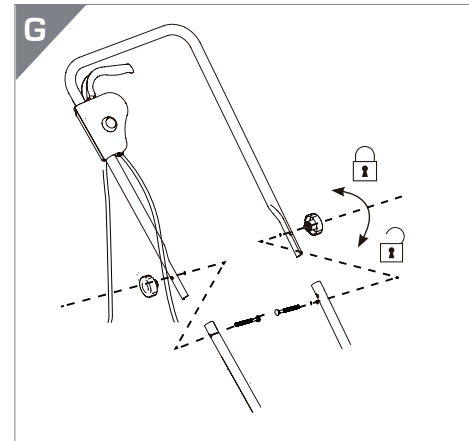
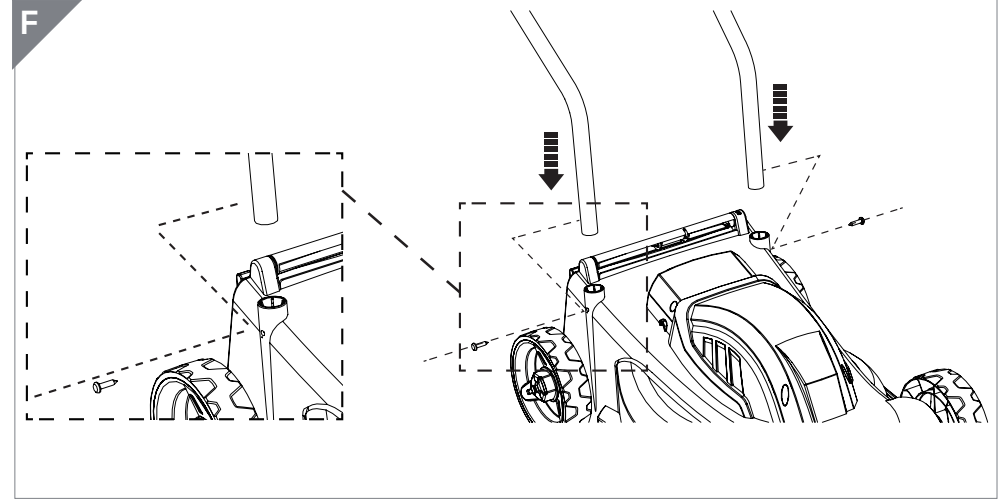
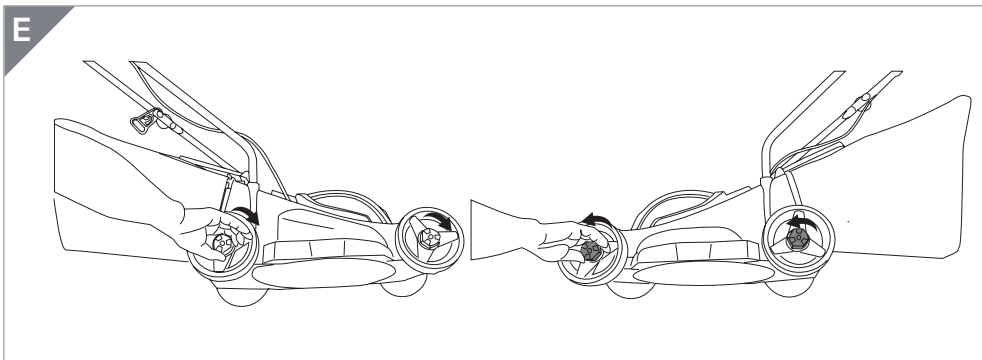
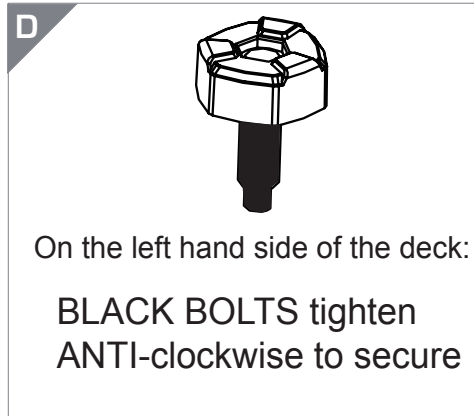
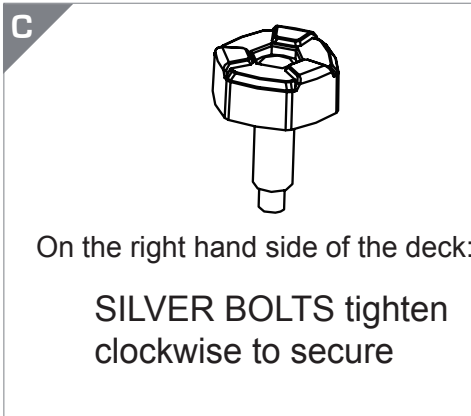
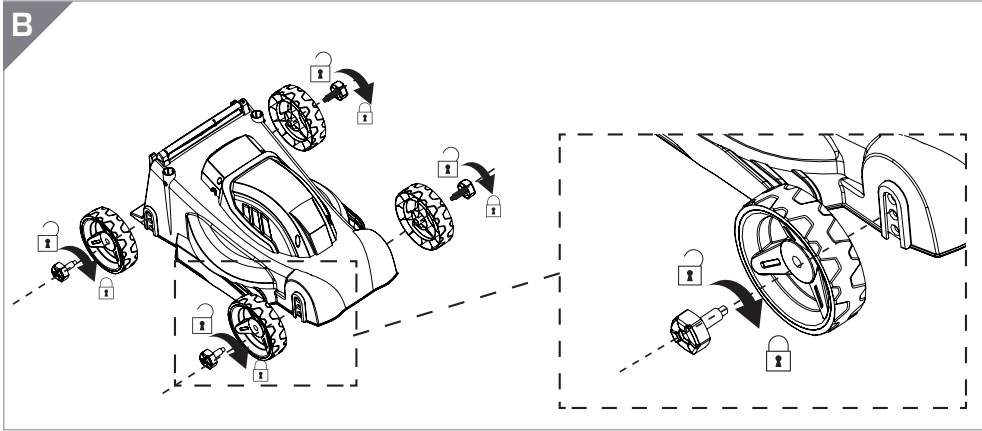
## Contents

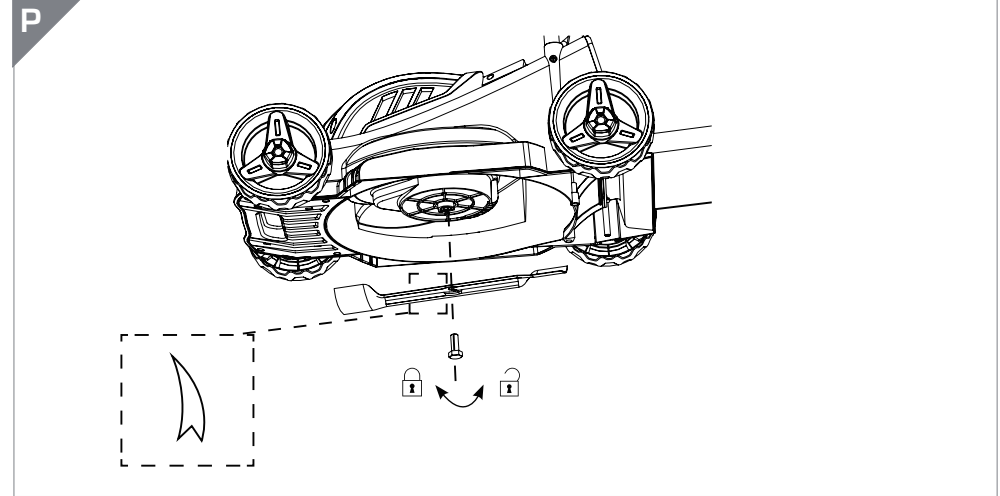
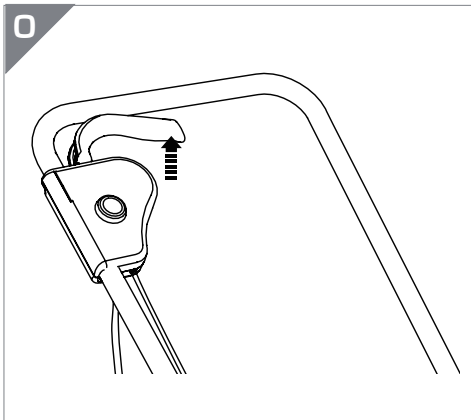
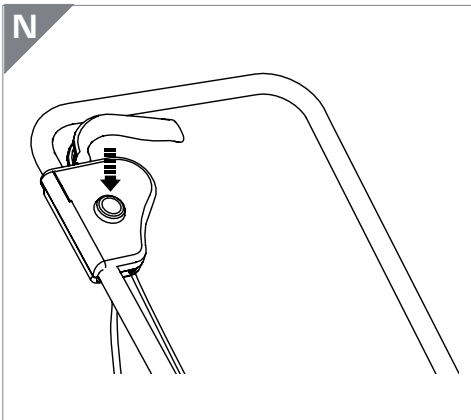
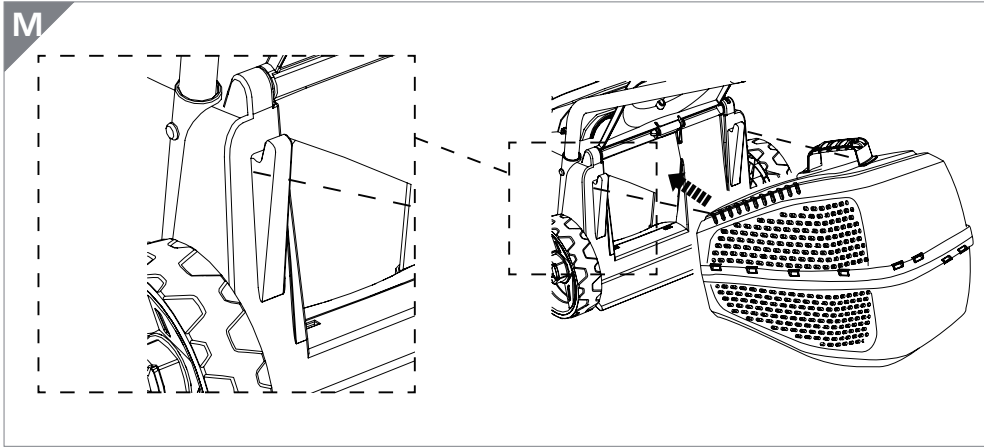
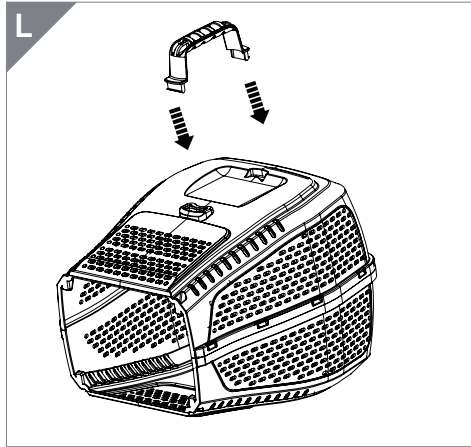
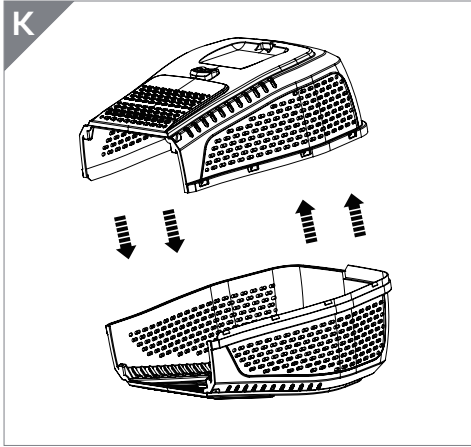
- Product images and parts list .....3**
- General information.....9**
  - Reading and storing the instruction manual.....9
  - Explanation of symbols.....9
- Safety .....13**
  - Proper use.....13
  - Safety notes .....14
- Checking the lawn mower and product contents .....18**
- Assembly .....19**
  - Wheel assembly.....19
  - Mounting the lower handle bar.....20
  - Mounting the upper handle bar .....20
  - Mounting the grass catcher .....21
- Operation .....22**
  - Cutting height adjustment .....22
  - Grass catcher .....23
  - Switching on/off .....24
  - Mowing .....24
- Maintenance .....26**
- Cleaning .....31**
- Troubleshooting.....32**
- Storage .....34**
- Disposal.....35**
- Technical data.....36**
- EC Declaration of Conformity**
- Warranty**
  - Warranty Card
  - Warranty Conditions

A



- 1 Upper handle
- 2 Knob with bolt x 2
- 3 Lower handle
- 4 Transportation handle
- 5 Air vents
- 6 Wheel x 4
- 7 Hand knob x 4
- 8 Screw x 2
- 9 Deflector guard
- 10 Grass catcher handle
- 11 Grass catcher
- 12 Cord
- 13 Cord clip x2
- 14 Lock-off button
- 15 Start lever
- 16 Blade
- 17 Bolt
- 18 Hook
- 19 Mounting plates





## Reading and storing the instruction manual



This instruction manual accompanies this lawn mower. It contains important information on assembly, start-up and handling. Before using the lawn mower, read the instruction manual carefully. This particularly applies to the safety notes. Failure to heed this instruction manual may result in severe injury or damage to the lawn mower. The instruction manual is based on the standards and rules in force in the European Union. Store the instruction manual for future use. If you pass the lawn mower on to third parties, please be absolutely sure to include this instruction manual.

You can request an electronic version of these instructions from our customer service.

## Explanation of symbols

The following symbols and signal words are used in this instruction manual, on the lawn mower or on the packaging.



Read the user manual before using the machine.



Warning! Danger!



You must always wear safety goggles to guard your eyes from flying debris, ear plugs or similar ear defenders to protect your hearing and respiratory protection to protect breathing.



**IMPORTANT!** Wear gloves to protect your hands.



Wear safety boots to protect your feet.



Guaranteed sound power level value in dB.



The product complies with the applicable European directives and an evaluation method of conformity for these directives was carried out.



WEEE symbol. Waste electrical products should not be disposed of with household waste. Please recycle where facilities exist. Check with your Local Authority or local store for recycling advice.



Do not expose the product to rain or wet conditions.





This product is constructed using protection class II. That means it is equipped with enhanced or double insulation and does not need to be earthed.



Objects thrown by the product could hit the user or other bystanders. Always ensure that other people and pets remain at a safe distance from the product when it is in operation. In general, children must not come near the area where the product is in operation.



Beware of sharp blades. Blades continue to rotate after the motor is switched off. Remove the plug from the mains before maintenance or if the cord is damaged.



**STOP**

Cutting device continues to rotate after the product is switched off. Wait until all components have completely stopped before touching the product.



Switch the product off and disconnect it from the power supply before assembly, cleaning, adjustments, maintenance, storage and transportation.


**WARNING!**

This appliance should be connected to your mains supply using an RCD (Residual Current Device). The operating current of this device must be less than 30mA. Contact an electrician if you are unsure of how to proceed.

For safety reasons, this lawnmower is not to be used by children, young people under 16 years of age, or any other persons who are not acquainted with these operating instructions.



## Safety

### Proper use

1. Operate the product only in daylight or in good artificial light.
2. Avoid operating the product in wet grass.
3. Always be sure of your footing on slopes.
4. Walk, never run.
5. Do not use this appliance in wet conditions, e.g., rain etc.
6. Mow across the face of slopes, never up and down.
7. Exercise extreme caution when changing direction on slopes.
8. Do not mow excessively steep slopes.
9. Use extreme caution when reversing or pulling the product towards you.
10. Stop the blades if the product has to be tilted for transportation when crossing surfaces other than grass, and when transporting the product to and from the area to be used.
11. Switch on the motor carefully according to the instructions and with your feet well away from the blades.
12. Do not tilt the product when switching on the motor except if the product has to be tilted for starting. In this case do not tilt it more than absolutely necessary and lift only the part which is away from the operator.
13. Do not put hands or feet near or under rotating parts. Keep clear of the discharge opening at all times.
14. Do not transport the product while the power source is



running.

15. Stop the product, and remove the plug from the socket. Make sure that all moving parts have come to a complete stop:
  - Whenever you leave the product.
  - Before clearing blockages or unclogging the chute.
  - Before checking, cleaning or working on the product.
  - After striking a foreign object. Inspect the product for damage and replace or repair any damaged parts before restarting and operating the product.
16. If the product starts to vibrate abnormally (check immediately):
  - Inspect for damage.
  - Replace or repair any damaged parts.
  - Check for and tighten any loose parts.

### Safety notes



#### **WARNING!**

#### **DO NOT TOUCH THE ROTATING BLADES.**

- This machine can cause serious injuries. Read the instruction manual carefully for the correct handling, preparation, maintenance and starting and stopping of the appliance. Be familiar with the controls and the proper use of the appliance. Read and understand the operator's manual and observe the warnings and instruction labels affixed to the appliance.





- Never allow children or people unfamiliar with these instructions to use the appliance. Never operate this appliance when tired or under the influence of alcohol, medication or drugs.
- Use appropriate tools. This product is intended for private use only, not for any commercial applications. It may not be used for any purposes other than those described.

## Work Area Safety

- Keep work areas clean. Cluttered areas can cause accidents.
- Keep all bystanders, children, and pets at least 5 metres away. The operator or user is responsible for accidents or hazards occurring to other people or the property.

## Personal Safety

- Use personal protective equipment (PPE). Always wear eye protection. Protective equipment such as a dust mask, non-skid safety shoes or gloves used for appropriate conditions will reduce the risk of personal injuries.
- Dress appropriately. Do not wear loose clothing or jewellery, as these can be caught in moving parts. Preferably wear non-slip footwear when working outdoors. Wear a protective hair covering to keep long hair out of the way.
- Stay alert and use caution and common sense when operating



- the tool. A moment of lapsed concentration while operating the tool may result in serious personal injury.
- This appliance can be used by persons aged 16 years and above and persons with reduced physical, sensory or mental capabilities or lack of experience and knowledge if they have been given supervision or instruction concerning use of the appliance in a safe way and understand the hazards involved.
  - Children should be supervised to ensure that they do not play with the product.
  - Read the instructions carefully. Be familiar with the controls and the correct use of the product.
  - Never allow children or people unfamiliar with these instructions to use the product. Local regulations can restrict the age of the operator.
  - Never operate the product while children, other people or pets are nearby.
  - Keep in mind that the operator or user is responsible for accidents or hazards occurring to other people or their property.

## Operational Safety

- Be certain the parts are fully tightened before operating the tool. Check it periodically for tightness during use to avoid serious injury.
- While operating the product always wear substantial footwear and long trousers. Do not operate the product when barefoot





or wearing open sandals. Avoid wearing clothing that is loose fitting or that has hanging cords or ties.

- Thoroughly inspect the area where the product is to be used and remove all objects which can be thrown by the product.
- Before using, always visually inspect to see that the blade, blade bolt and the blade assembly are not worn or damaged.
- Replace worn or damaged components in sets to preserve balance. Replace damaged or unreadable labels.
- Before use check the supply and extension cord for signs of damage or aging. If the cord becomes damaged during use, disconnect the cord from the supply immediately. **DO NOT TOUCH THE CORD BEFORE DISCONNECTING THE SUPPLY.**
- Do not use the product if the cord is damaged or worn. If the cord requires replacement this should only be carried out by the Service Agent or a similarly qualified person.
- Keep all nuts, bolts and screws tight to be sure the product is in a safe working condition.
- Check the grass collector frequently for wear or deterioration.
- Be careful during adjustment of the product to prevent entrapment of the fingers between moving blades and fixed parts of the product.
- When servicing the blades be aware that, even though the power source is switched off, the blades can still be moved.
- Replace worn or damaged parts for safety. Use only genuine replacement parts and accessories.



## Checking the lawn mower and product contents



### **WARNING!** **RISK OF DAMAGE!**

If you are not cautious when opening the packaging with a sharp knife or other pointed objects, you may easily damage the lawn mower. Therefore, be very careful when opening.

1. Take the lawn mower out of the packaging and check whether the appliance or the individual parts exhibit damage. If this is the case, do not use the lawn mower. Contact the manufacturer at the service address specified on the warranty card.
2. Check to make sure that the delivery is complete (see Fig A).



## Assembly

### Wheel assembly



#### WARNING!

Always check the mounting plates before assembling the wheels. Never attach the wheel on a damaged or loose mounting plate.

The wheels must be assembled on the same height level. Using a product with wheels assembled on different height level may cause damage of the cutting unit (e.g. cutting device, spindle etc.) or an unsatisfactory result.

1. Align the axle hole of the wheel with one of the three height adjustment holes in the mounting plate (See Fig B).
2. Insert the knob and tighten it to secure the wheel. Pay attention to the colour of the bolt. Make sure the colour of the bolt matches the colour of the mounting plate (See Fig C & D).
3. Repeat the assembly for the other three wheel assemblies.

**NOTE!** Hand knobs for left side or right side wheels are different! The two hand knobs with black colour bolts are for the left side wheels ; The two hand knobs with silver colour bolts are for the right side wheels. The colour of the bolts match the colour of the mounting plate on the machine.



4. Ensure the four wheels are assembled at the same height level and rotate smoothly.

Place the lawnmower on its side when tightening each wheel (See Fig E).

**IMPORTANT!** Ensure all four wheels are securely tightened before each use.

### Mounting the lower handle bar

1. Insert the lower handle bars into the supports. Ensure the mounting holes in the lower handle bars are aligned with the ones in the supports (See Fig F).
2. Secure the lower handle bars with the screws and tighten them with a suitable crosshead screwdriver.

### Mounting the upper handle bar

1. Remove the bolts from the knobs and keep them handy.
2. Attach the upper handle bar to the lower handle bars and align the holes in the upper handle bar with the ones in the lower handle bars (See Fig G, H & I).
3. Secure the upper handle bar with the knobs and bolts to the lower handle bars and tighten the knobs clockwise.



4. Fix the power cord with the cord clips to the handle bars (See Fig J).

### Mounting the grass catcher

1. Fit the upper part onto the lower part by fixing all the outer clips correctly (See Fig K).
2. Fit the handle onto the top of the grass catcher so that it clicks into place (See Fig L).
3. Hang the grass box on to the hook (See Fig M).



## Operation

### Cutting height adjustment

Adjust the cutting height according to the needs of your lawn. The cutting height depends on the kind of lawn and its actual height. When mowing high grass, start with the maximum cutting height and make a second cut with a lower cutting height.



#### WARNING!

Always check the mounting plates before assembling the wheels. Never attach the wheel on a damaged or loose mounting plate.

The wheels must be assembled at the same height level. Using a product with wheels assembled on a different height level may cause damage of the cutting unit (e.g. cutting device, spindle etc.) or an unsatisfactory result.

1. Release the start lever and disconnect the product from the power supply before adjusting the height of the wheels.
  2. Loosen the knob and remove them together the wheel.
- NOTE!** To loosen the knobs on the right side (with silver bolts turn anticlockwise, on the left side (with black bolts) turn clockwise.
3. Align the axle hole of the wheel with the required height adjustment hole in the mounting plate and tighten the knob.



4. Repeat the height adjustment for the other three wheel assemblies.
5. Ensure the four wheels are assembled at the same height level and rotate smoothly.

### Grass catcher

Always attach the grass catcher when using the product for grass collection. Always carry the grass catcher by its handle.

Empty the grass catcher frequently during use. Do not wait until it is completely full. We recommend emptying it when it is half full.

**NOTE!** A full grass catcher will reduce the performance of this product.

1. Lift the deflector guard and lift the grass catcher off the hooks.
2. Remove the grass clippings from the discharge chute into the grass catcher. Use a proper tool such as a brush.
3. Remove the grass catcher.
4. Empty the grass clippings onto a compost heap.
5. Re-fit the grass catcher to the hooks.



### Switching on/off

1. Ensure the start lever is released.
2. Press the lock-off button and hold it in position (See Fig N).
3. Squeeze the start lever towards the handle to switch the product on (See Fig O). Hold the start lever in position during operation.
4. Release the lock-off button once the product is running.
5. Release the start lever to switch the product off.

**NOTE!** The product can only be started by pressing the lock-off button first followed by squeezing the start lever .

Reverse operation will not start the product.

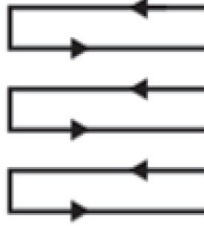
**NOTE!** The cutting device will continue to rotate for a short period after the product has been switched off.

### Mowing

1. Never cut off more than one-third of the total length of the grass for a healthy lawn. In the autumn, lawns should only be cut as long as there is growth.
2. Slowly push the product forward.
3. Mow in slightly overlapping rows. The most effective pattern for mowing lawns is straight lines along one of the sides. This will keep the rows even and ensures that all the lawn is cut



without missing any spots.



4. Circle around flower beds. When reaching a flower bed in the middle of the lawn, cut a width or two around the circumference of the bed.
5. Pay special attention when changing direction.



### WARNING!

If the product strikes a foreign object stop the motor immediately. Switch the product off, disconnect it from the power supply and let it cool down. Inspect the product thoroughly for damage. Have any damage repaired by a suitably qualified person before restarting.

Extensive vibration of the product during operation is an indication of damage. Stop the motor unplug and check for damage.

## AFTER SALES SUPPORT



## Maintenance

1. Always switch the product off, disconnect it from the power supply and let the product cool down before performing inspection, maintenance and cleaning work!
2. Keep the product clean. Remove debris from it after each use and before storage.
3. Regular and proper cleaning will help ensure safe use and prolong the life of the product.
4. Inspect the product before each use for worn or damaged parts. Do not operate it if you find broken or worn parts.



### WARNING!

Only perform repairs and maintenance work according to these instructions. All further works must be performed by a qualified specialist.

### Maintenance after each use

1. Clean the product with a dry cloth. Use a brush for areas that are hard to reach.
2. Clean the air vents after every use with a cloth and brush.
3. Remove stubborn dust with high pressure air (max. 3 bar).
4. Check for any damage or wear. Repair damage in accordance

## AFTER SALES SUPPORT



with this instruction manual or take it to an authorised service centre before using the product again.

**NOTE!** Do not use chemical, alkaline, abrasive or other aggressive detergents or disinfectants to clean this product as they may cause damage to the cosmetic surfaces.

### Spare parts/Replacement parts

The following parts of this product may be replaced by the consumer. Spare parts are available at an authorised dealer or through our customer service.

Description Model no. or Specification

Wheel assembly	SU 001
Grass catcher	SU 002
Cutting device (blade)	SU 017

### Underbody and cutting device

1. Keep the underbody and cutting device clean and free of debris.
2. Check all nuts and bolts periodically for tightness before operation. After prolonged use, especially in sandy soil conditions, the cutting device will become worn and lose some of its original shape. The cutting efficiency will be



reduced and the cutting device should be replaced.

3. Keep the cutting device sharp to ensure a good cutting performance. Replace a worn or damaged cutting device with a new one of the same type.

### Replacing the blades

Always unplug the lawn mower before removing or refitting the blades.

1. Loosen the bolt, turning anticlockwise using a suitable wrench and remove it together with the cutting device (See Fig P).
2. Replace the cutting device with a new one of the same type.
3. Reattach the cutting device onto the spindle, pay attention to correct alignment. Tighten the bolt clockwise with 16 Nm min, 20 Nm max. to ensure the safe operation of your product.
4. Replace this cutting device after 50 hours mowing or 2 years whichever is sooner regardless of condition. If the cutting device is cracked or damaged, immediately replace it with a new one.
5. Lubricate the cutting device after each use to prolong the life span of the cutting device and product. Apply light machine oil along the edge of the cutting device.



## Power cord

If the supply cord is damaged, it must be replaced by the manufacturer, its service agent or similarly qualified persons in order to avoid a hazard.

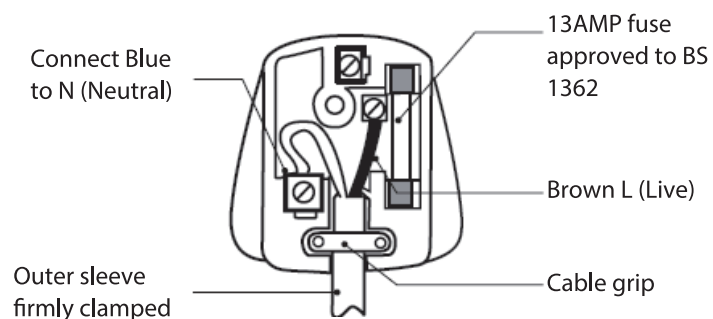
## UK plug

If you need to replace the fitted plug, then follow the instructions below.

**IMPORTANT:** The wires in the mains lead are coloured in accordance with the following code:

Blue – Neutral, Brown – Live

In case the colours of the wires in the mains lead don't match the colour marking on the terminals, please proceed as follow. Connect the blue wire to the terminal marked N (Neutral) or coloured black. The brown wire must be connected to the terminal marked L or coloured red.



## Repair

This product does not contain any parts that can be repaired by the consumer other than those covered in the Maintenance section. Contact an authorised service centre or a similarly qualified person to have it checked and repaired.

## Transportation

1. Switch the product off and disconnect from the power supply before transporting it anywhere.
2. Adjust the cutting height to the highest position as described above.
3. Attach transportation guards, if applicable.
4. Always transport the product by its handle. When lifting the product use the transportation handle as an aid.
5. Protect the product from any heavy impact or strong vibrations which may occur during transportation in vehicles.
6. Secure the product to prevent it from slipping or falling over.





## Cleaning

Before cleaning, inspecting or repairing your unit, make sure that the motor has stopped and is cool. Disconnect the plug to prevent accidental starting.

**Note!** To ensure the best performance of your lawn mower, it is important to keep it clean. Always clean your lawn mower immediately after use.

Do not allow grass cuttings and other debris to become dry and hard on any of the mower surfaces. This will directly affect the cutting performance. Make sure that the underside of the lawn mower deck is clean and clear. Never clean the lawn mower with a water jet or high pressure cleaner. The motor must remain dry. Do not use aggressive cleaning agents including petroleum.

The lawn mower should be thoroughly cleaned after every use, especially the underneath. To do so, tip the lawn mower onto its left side. Dirt and grass is easiest to remove immediately after you have finished mowing the grass.



## Troubleshooting

Suspected malfunctions are often due to causes that the user can fix themselves.

Therefore check the product using this section. In most cases the problem can be solved quickly.



### WARNING!

Only perform the steps described within these instructions! All further inspection, maintenance and repair work must be performed by an authorised service centre or a similarly qualified specialist if you cannot solve the problem yourself!



Fault	Possible cause	Troubleshooting
Product does not start	Not connected to power supply	Connect to power supply
	Power cord or plug is defective	Perform check by a qualified electrician
	Other electrical defect	Perform check by a qualified electrician.
	Lock-off button not pressed	Press the lock-off button first, then the start lever
	Blown fuse	Replace with genuine 13 AMP BS1362.
Product does not reach full power	Extension cord not suitable for operation with this product	Use a suitable extension cord
	Power source (e.g. generator) has too low a voltage	Connect to another power source
	Air vents are blocked	Clean the air vents
Unsatisfactory result	Cutting device is worn	Replace with a new one
	Cutting material exceeds capacity	Only cut materials according to the capacity of the product
	Cutting height is incorrect	Adjust the cutting height



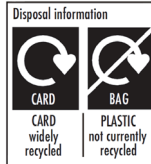
## Storage

1. Clean the product as described above.
2. Store the product and its accessories in a dry, frost-free place.
3. Always store the product in a place that is inaccessible to children. The ideal storage temperature is between 10°C and 30°C.
4. We recommend using the original packaging for storage or covering the product with a suitable cloth or enclosure to protect it against dust.
5. Fold the upper handle bar and fix it in position as described above.



## Disposal

### Disposing of the packaging



Dispose of the packaging separated into single type materials. Dispose of cardboard and carton as waste paper and foils via the recyclable material collection service.

### Disposing of old devices



#### Old devices must not be disposed of with household waste!

If the lawn mower can no longer be used, every user is required by law to dispose of old devices separately from their household waste, e.g. at a collection point in the community/borough. This ensures that old devices are recycled in a professional manner and also rules out negative consequences for the environment.



## Technical Data

Rated voltage	230 - 240 V~, 50 Hz
Rated input	1000 W
Cutting width	320 mm
Rated no load speed $n_0$	3500 min <sup>-1</sup>
Cutting height	25/45/65 mm; 3 levels
Protection class	II
Degree of protection	IPX4
Weight	approx. 9,76 kg
Sound pressure level	81 dB(A)
Sound power level	96 dB(A)



# SUMEC

## Declaration of CE Conformity

We  
 SUMEC Hardware & Tools Co., Ltd.  
 1 Xinghuo RD., Nanjing, China  
 And our branch office  
 SUMEC UK Co., Ltd.  
 Unit A&B, Escrick Business Park  
 Escrick, York YO 19 6FD

Declare that the product  
 Electric Lawn Mower  
 Model No: GERM32  
 Manufacture Model No.: SLM32E  
 Function: Cutting grass  
 Serial number: 00001---20000

Complies with the following directives:  
 EMC Directive: 2004/108/EC  
 Machinery Directive: 2006/42/EC  
 Noise Directive: 2000/14/EC amended by 2005/88/EC  
 RoHS Directive: 2011/65/EU  
 WEEE Directive: 2012/19/EU

Standards conform to:  
 EN 55014-1:2006/+A1:2009/+A2:2011 EN 55014-2:1997/+A1:2001/+A2:2008  
 EN 61000-3-2:2006/+A1:2009/+A2:2009 EN 61000-3-3:2013  
 EN 60335-2-77:2010 EN 60335-1:2012 EN 62233:2008

We additionally confirm the following in accordance with the 2000/14/EC  
 emissions guideline:

Conformity Assessment Procedure as Per Annex VI,  
 Measured sound pressure level LpA: 81dB (A) ,k=3 dB (A)  
 Measured sound power level LwA :91.5 dB (A)  
 Guaranteed sound power level LwA: 96 dB (A)

Authorized Signatory

Date: 18-2-2016

Signature:

Name: Liu Kai

General Manager

SUMEC Hardware & Tools Co., Ltd.





# WARRANTY CARD

GB IRE

## 1000W Lawn Mower GERM32

Your detail:

Name \_\_\_\_\_

Address \_\_\_\_\_

\_\_\_\_\_

\_\_\_\_\_

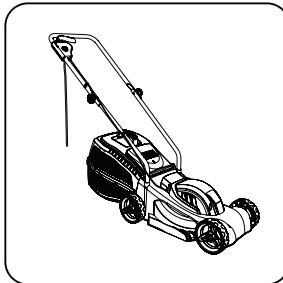
 \_\_\_\_\_ E-Mail \_\_\_\_\_

Date of purchase \* \_\_\_\_\_

\* We recommend you keep the receipt with this warranty card.

Location of purchase \_\_\_\_\_

Description of malfunction :





Return your completed warranty card together with the faulty product to:

Unit A&B  
Escrick Business Park  
Escrick  
York  
YO19 6FD

Email: support@coreservice.co.uk  
Tel: 01904 727506

### AFTER SALES SUPPORT-7 DAYS A WEEK

  IRE 0124 751 50  
GB 01904 727506 www.coreservice.co.uk

MODEL: GERM32 PRODUCT CODE: 60514 06/2017

Phone lines available  
Mon - Fri : 9am - 5pm  
Sat - Sun: 11am - 4pm.  
Calls are charged at local rate,  
mobiles may vary



GB IRE

## Warranty conditions

Dear Customer,

The **ALDI warranty** offers you extensive benefits compared to the statutory obligation arising from a warranty:

**Warranty period:** 1 years from date of purchase

**Costs:** Free repair/exchange or refund.  
No transport costs.

**Hotline:** Support line charged at local rate

**ADVICE:** Please contact our service hotline by phone, e-mail or fax before sending in the device. This allows us to provide support in the event of possible operator errors.

**In order to make a claim under the warranty, please send us:**

- Together with the faulty item the original receipt and the warranty card properly completed.
- The faulty product with all components included in the packaging.

**The warranty does not cover** damage cause by:

- **Accident or unanticipated events.** (e.g. lighting, water, fire)
- **Improper use** or **Transport.**
- **Disregard of the safety** and **maintenance instructions.**
- Other **improper treatment** or **modification.**
- Parts like blades that are subject to wear and tear.

After the expiry of the warranty period, you still have the possibility to have your product repaired at your own expense. If the repair or the estimate of costs is not free of charge you will be informed accordingly in advance.

This warranty does not effect your statutory rights.



**Spend a little Live a lot**

Great care has gone into the manufacture of this product and it should therefore provide you with years of good service when used properly. In the event of product failure within its intended use over the course of the first 1 year after date of purchase, we will remedy the problem as quickly as possible once it has been brought to our attention. In the unlikely event of such an occurrence, or if you require any information about the product, please contact us via our helpline support services, details of which are to be found both in this manual and on the product itself.



**Importer:**  
SUMEC UK  
UNIT A&B ESCRICK BUSINESS PARK  
ESCRICK, YORK, YO19 6FD, UK  
Email: [support@coreservice.co.uk](mailto:support@coreservice.co.uk)

**AFTER SALES SUPPORT-7 DAYS A WEEK**



GB 01904 727506  
IRE 0124 751 50



[www.coreservice.co.uk](http://www.coreservice.co.uk)

MODEL: GERM32 PRODUCT CODE: 60514 06/2017

**1**

**YEARS WARRANTY**