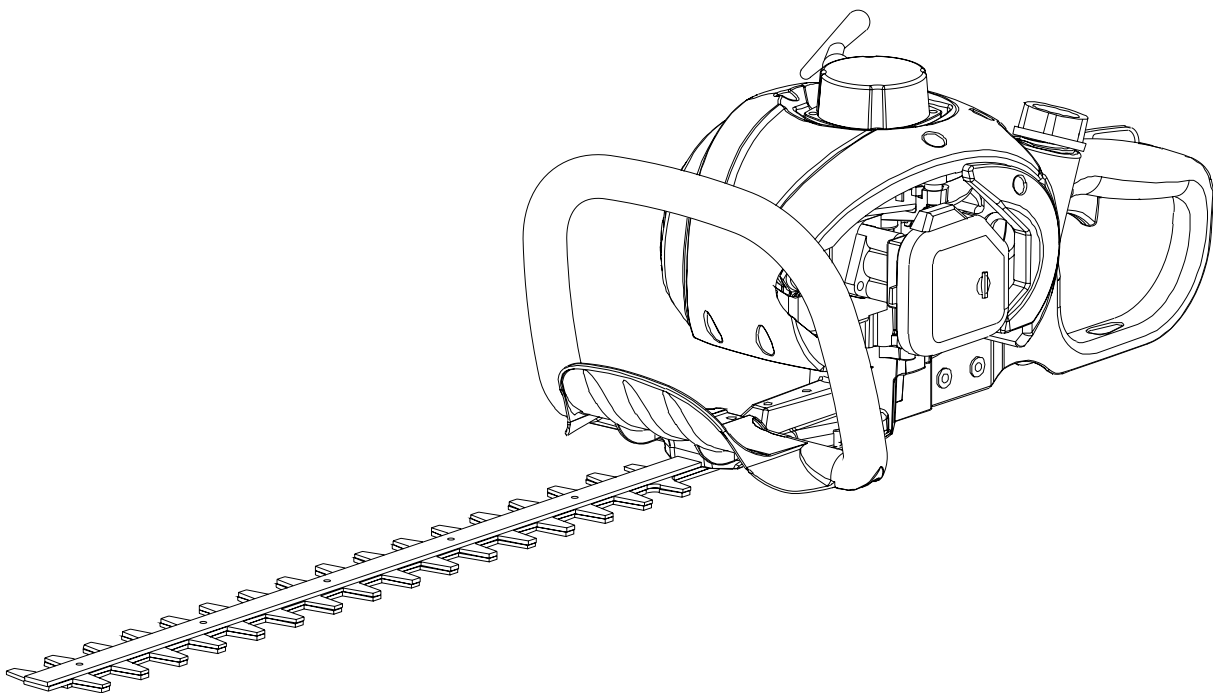


# Challenge Xtreme 22cc Petrol Hedge Trimmer

Assembly Manual

QJB23

Complete Product  
Support & Aftersales Service



**Complete Product Support &  
Aftersales Service 7 days a week.**

Do you need help with this product?  
Instead of returning your product please  
call **0845 450 5299** 7 days a week.  
Email: [support@gardenservicecentre.co.uk](mailto:support@gardenservicecentre.co.uk)  
Or visit [www.gardenservicecentre.co.uk](http://www.gardenservicecentre.co.uk)

This does not affect your statutory rights.

**challenge**  
**xtreme**

**Important** - Please read these instructions fully before starting assembly

These instructions contain important information that will help you get the best from your hedge trimmer, ensuring it is assembled correctly and safely.

If you need help or have damaged or missing parts, call the Customer Helpline on **0845 4505299** prior to returning product to store.

# Contents

Safety Information.....	3
Warning Symbols.....	3
General Safety.....	3
Personal Safety.....	3
In the Box.....	4
Parts.....	4
Assembly.....	4

## Safety Information

Important - Please read these instructions fully before starting assembly

### Warning Symbols

The following warning symbols appear throughout this assembly manual and indicate the appropriate safety measures you should take when assembling and operating the hedge trimmer.



This symbol indicates there is a danger of serious personal injury or death if you do not observe the warning.



This symbol indicates that there is a danger of damaging your hands if you do not wear thick, protective gloves.

### General Safety



**WARNING!** Keeps this assembly manual in a safe place following assembly for reference at a later date.



**WARNING!** Always ensure anyone intending to operate this hedge trimmer is fully conversant with the contents of this assembly manual prior to assembling, maintaining or operating the hedge trimmer.



**WARNING!** Perform assembly operations described in this manual. Failure to observe this warning may lead to serious injury, death, or damage to the hedge trimmer.



**WARNING!** Always take care when removing the packaging to prevent damage to you or to the hedge trimmer.



**IMPORTANT!** Before assembling the hedge trimmer, check all the parts indicated in the manual are in the box. Inspect all the parts for signs of damage. Do not assemble the hedge trimmer if you observe any damaged components.

### Personal Safety



**WARNING!** Only operate the hedge trimmer if you are wearing the correct Personal Protective Equipment (PPE) as described in the following warnings.



**WARNING!** Always wear suitable gloves when operating hedge trimmer to protect your hands from flying debris and/or sharp objects.

# In the Box

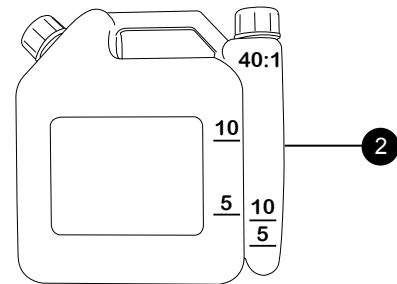
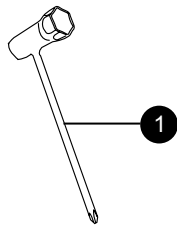
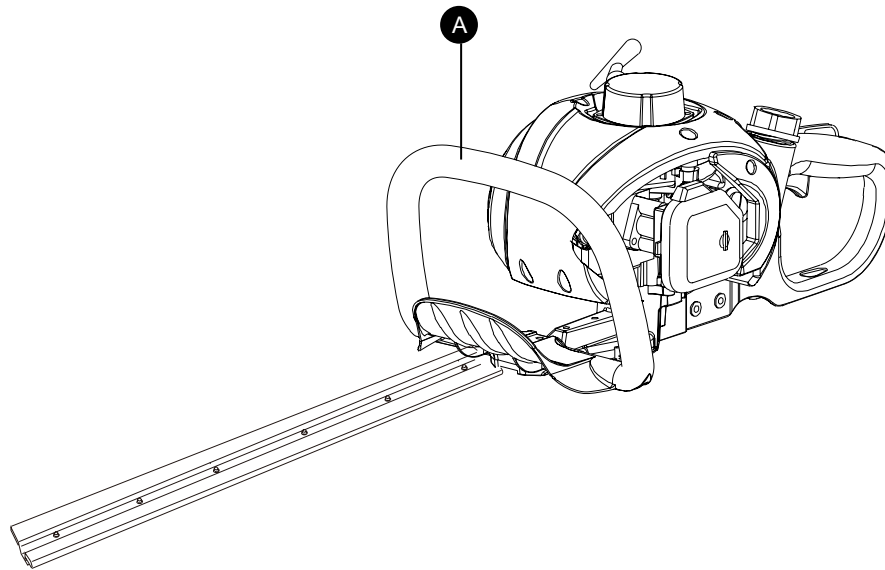
## Parts

**A** Hedge trimmer

## Tools

**1** Plug wrench &  
philips screwdriver  
1pc

**2** Mixing bottle



## Assembly

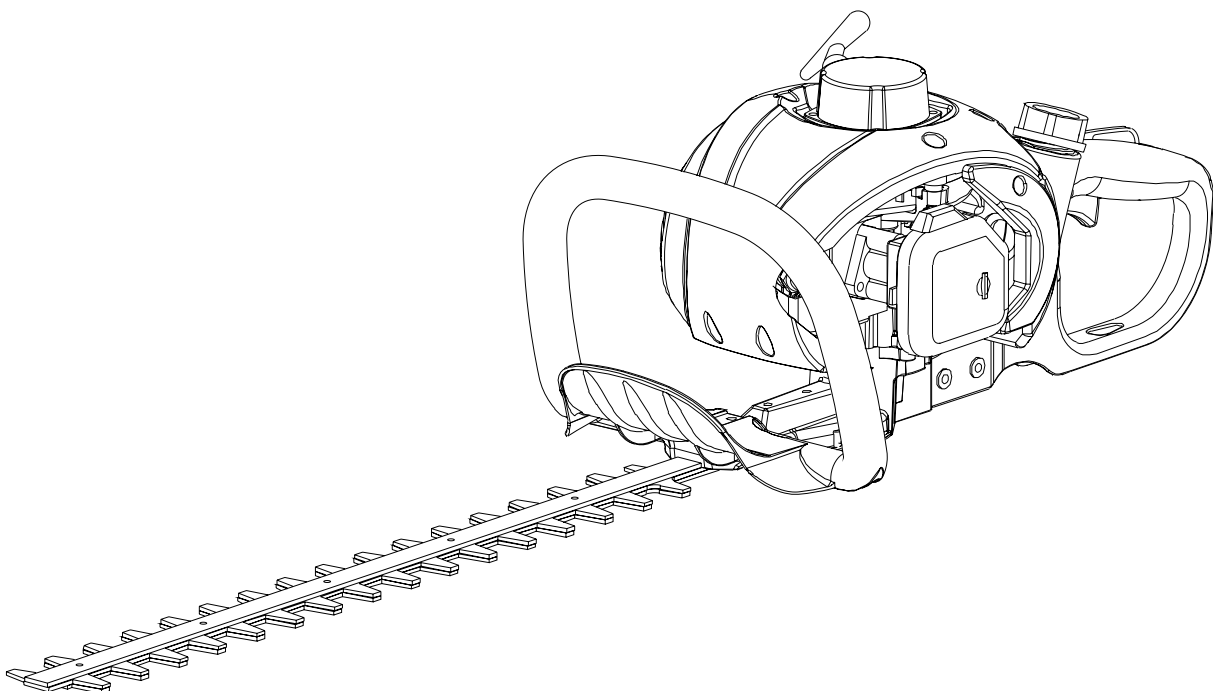
The hedge trimmer is supplied fully assembled. No assembly work is required.

# Challenge Xtreme 22cc Petrol Hedge Trimmer

Operation and Maintenance Manual

QJB23

Complete Product  
Support & Aftersales Service



**Complete Product Support &  
Aftersales Service 7 days a week.**

Do you need help with this product?  
Instead of returning your product please  
call **0845 450 5299** 7 days a week.  
Email: [support@gardenservicecentre.co.uk](mailto:support@gardenservicecentre.co.uk)  
Or visit [www.gardenservicecentre.co.uk](http://www.gardenservicecentre.co.uk)

This does not affect your statutory rights.

**challenge**  
**xtreme**

**Important** - Please read these instructions fully before operating or maintaining your hedge trimmer

These instructions contain important information that will help you get the best from your hedge trimmer, ensuring it is assembled correctly and safely.

If you need help or have damaged or missing parts, call the Customer Helpline on **0845 450 5299** prior to returning product to store.

# Contents

Safety Information.....	3
Warning Symbols.....	3
General Safety.....	4
Preparation .....	4
Operation .....	4
Maintenance and Storage .....	7
Preparing to Operate the Hedge Trimmer .....	8
Step 1 - Filling with Engine Fuel.....	8
Operating the Hedge Trimmer .....	8
Step 1 - Removing the blade protector .....	9
Step 2 - Starting the Engine .....	9
Step 3 - Change rear handle position .....	10
Step 4 - Trimming .....	10
Stopping .....	11
Stopping .....	11
Cleaning the Air Filter.....	12
Replacing the Spark Plug .....	12
Storing the Hedge Trimmer.....	13
Step 1 - Storing the Hedge Trimmer for Short Periods .....	13
Step 2 - Storing the Hedge Trimmer for Extended Periods.....	13
Maintenance.....	13
Maintenance Schedule .....	13
Troubleshooting .....	14
Technical Data.....	15
Disposal.....	15
Guarantee .....	16
Declaration of Conformity .....	17

# Safety Information

**Important - Please read these instructions fully before operating or maintaining**

## Warning Symbols

The following warning symbols appear through this manual and indicate the appropriate safety measures you should take when operating and maintaining the hedge trimmer.



**Before any use, refer to the corresponding paragraph in the present manual.**



**This symbol, before a safety comment, indicates a precaution, a warning or a danger. Ignoring this warning can lead to an accident for yourself or for others. To limit the risk of injury, fire, or electrocution always apply the recommendations indicated..**



**Conforms to European standards.**



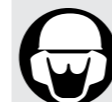
**The exhaust gas is poisonous and asphyxiating. If inhaled it may even be lethal. Do not operate the engine in closed or poorly ventilated places.**



**Petrol and petrol vapours are extremely flammable.**



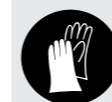
**Do not touch to prevent burns.**



**Wear hearing protection and eye protection when using the device.**



**Wear robust footwear when using the device.**









**Wear protective gloves when using the device.**

# Safety Information

Important - Please read these instructions fully before operating or maintaining

## General Safety

-  **WARNING!** Keep this operating and maintenance manual in a safe place for reference at a later date.
-  **WARNING!** Read the instructions carefully. Be familiar with the controls and the proper use of the equipment.
-  **WARNING!** Never allow children or people unfamiliar with these instructions to use the hedge trimmer. Local regulations can restrict the age of the operator.
-  **WARNING!** Never trim while people, especially children, or pets are nearby. Keep in mind that the operator or user is responsible for accidents or hazards occurring to other people or their property.
-  **WARNING!** This appliance is not intended for use by persons (including children) with reduced physical, sensory or mental capabilities, or lack of experience and knowledge, unless they have been given supervision or instruction concerning use of the appliance by a person responsible for their safety.
-  **WARNING!** Do not touch blade.

## Preparation

- a) Do not allow children or untrained individuals to use this unit;
- b) Never start or run the engine in a closed or poorly ventilated area; breathing exhaust fumes can kill;
- c) Clear the work area before each use. Remove all objects such as rocks, broken glass, nails, wire, or other such debris which can be thrown or become entangled in the cutting line or blade;
- d) Wear safety glasses or goggles when operating this unit;
- e) Wear heavy, long trousers, boots, and gloves. Do not wear loose fitting clothing, shorts, or go barefoot. Do not wear jewellery of any kind.

## Operation

- **Be careful about the environmental conditions you work under.** When started the motor will produce toxic gases. The gas can be invisible and odorless, therefore you should never operate the machine in an enclosed or badly ventilated area. When trimming ensure that the area is well lit. If you are trimming when it is raining, snowing or freezing on slopes or uneven terrain make sure you have a stable position.
- **Do not let strangers access your machine.** Visitors and onlookers, especially children, and the infirm should be kept at a safe distance from your workplace. Make sure that other people cannot access an unattended machine.
- **Ensure safe tool storage.** Machines that are not in use should be stored in a dry place if possible high up or they should be locked so that other people cannot gain access to them.

# Safety Information

Important - Please read these instructions fully before operating or maintaining

## Operation (continued)

- **Use the right tool for each job.** Never use small tools or accessories for work that needs to be done with big tools. Use tools purely for the purposes they were designed for.
- **Hedge trimmer transport.** The hedge trimmer is transported with the blade protected by a cover, when not in use replace this cover to prevent accidents. Secure the machine against tilting, damage and fuel leakage.
- **Remove tool keys etc.** Before switching the hedge trimmer on remove all keys etc.
- **Be always careful. Watch what you are doing.** When working use common sense. Do not use machinery if you are tired. Do not use the hedge trimmer under the influence of alcohol, drugs or medicines that lower the ability to concentrate.
- **Fuel replenishment.** Before refuelling switch off the engine. Carefully open the fuel cap so that excess pressure can escape slowly and the fuel does not splash. The use of the trimmer results in high temperatures. Let the machine cool down before refuelling. Otherwise the fuel could ignite and people could get burnt. When refuelling make sure the fuel tank is not over filled and allows room for expansion. If the fuel leaks it is important to wipe up any leaked fuel and clear the machine. After refuelling ensure the fuel cap is sufficiently tight to prevent being loosened by the vibrations when the machine is at use.
- **Usage period and breaks.** After a longer period of usage you might experience problems with blood circulation in your hands due to the vibrations. The period of usage can be extended by wearing suitable gloves and taking regular breaks. Please be aware that the time of usage is lowered by personal dispositions to bad circulation, a low outside temperature or a firm grip of the tool when working.
- **Watch for damaged parts.** The machine should be carefully inspected before use. Are any of the parts damaged? In case of a slight damage consider if the machine is still going to work safely and without any problems. Make sure it is properly adjusted and movable parts are properly regulated. Are any elements interlocked improperly? Is everything well installed: Are all requirements for trouble free operation fulfilled? Damaged protective devices etc. must be repaired or replaced by the authorised service centres, unless expressly stated otherwise in the manual. Faulty switches should be replaced in the authorised centre. If you need to have your machine repaired, contact your nearest service centre.
- Make sure that the protective cover of the hedge trimmer works perfectly and it is installed in such a way that the knife teeth are always covered.
- Before adjustments or machine maintenance switch off the engine. This is valid mainly if the knife bar is being replaced.
- Use only approved components. During the maintenance and repairs use only identical spare parts. Contact your authorised service centre for this purpose.



**Caution!!** Using other knife bars and other fixtures and extensions that are not expressly recommended can endanger people and property.

The machine can be used only for the designed purpose. Any machine usage at variance with its purpose is considered unprofessional usage. The user is liable for the damage caused to property and injuries resulting from this unprofessional handling, and not the manufacturer.

## Safety Information

Important - Please read these instructions fully before operating or maintaining

### Operation (continued)

The manufacturer cannot be liable if the machine was modified or used unprofessionally and damage arose as the result of these actions.

**When handling the machine professionally there is always some risk that cannot be eliminated. The machine type and construction might present the following potential risks:**

- a) Contact with an unprotected knife bar (danger of cutting yourself)
- b) Touching the trimmer in operation (danger of cutting yourself)
- c) Unexpected, sudden movements of the cut material and its parts (danger of cutting yourself)
- d) Spurning of faulty knife teeth and parts of knife bar (danger of cutting yourself)
- e) Hearing injuries if appropriate safety aids are not worn.
- f) Creation of harmful dust or gas when using the machine in closed premises (sickness).
- g) Do not use deformed or damaged cutting knives (knife bar destruction).

- Switch off the engine before you start adjusting or maintaining the machine.
- Make this instruction manual available to everybody who is working with the machine.
- Use this machine only for trimming and cutting wood.



**Attention!** The cutting knife can hurt your hands and fingers and cause life threatening injuries! Always secure adequate lighting.

- Do not use trimmers in the vicinity of flammable fluid or gas.
- Have the machine repaired in an authorised service centre.
- Do not attempt to repair the machine yourself. Repairs and part replacements can be carried out only by an authorised service centre.
- Keep your workplace clean; remove trimmed waste and clear away objects you no longer require.
- Be careful not to stumble in the vicinity of the trimmer.
- Person working with the machine should not get disturbed.
- Use only perfect cutting knives, e.g. well sharpened, without cracks, clinks, deformations etc.
- Faulty cutting knives should be replaced immediately.
- Do not use cutting knives that do not correspond with technical data stated in this instruction manual.
- Make sure the cutting knife is installed in the right position.
- Protective device of the machine can not be disassembled or made dysfunctional in any way.
- Damaged or faulty protective devices should be immediately replaced.
- If you get disturbed when working with the trimmer, act with prudence till you adapt your attention to a new situation.
- At regular intervals check all screws, nuts and fittings are tight enough.
- Never deposit tools or materials above the machine so that they could fall down on it.
- Make sure your hands are in the right positions e.g. make sure they can not slide and suddenly and come in contact with the cutting knife.
- The material you want to cut should not include nails or other similar foreign matters.
- Do not overload the machine so it does not slow down and get overheated.
- Never attempt to remove loose trimmings or wood fragments or jammed material when the machine is working.
- If you want to remove some defects or clean the machine of jammed pieces of wood, you must switch it off first.
- Machine adjustment, measuring, cleaning etc. is allowed only when the engine is switched off.

## Safety Information

Important - Please read these instructions fully before operating or maintaining

### Operation (continued)

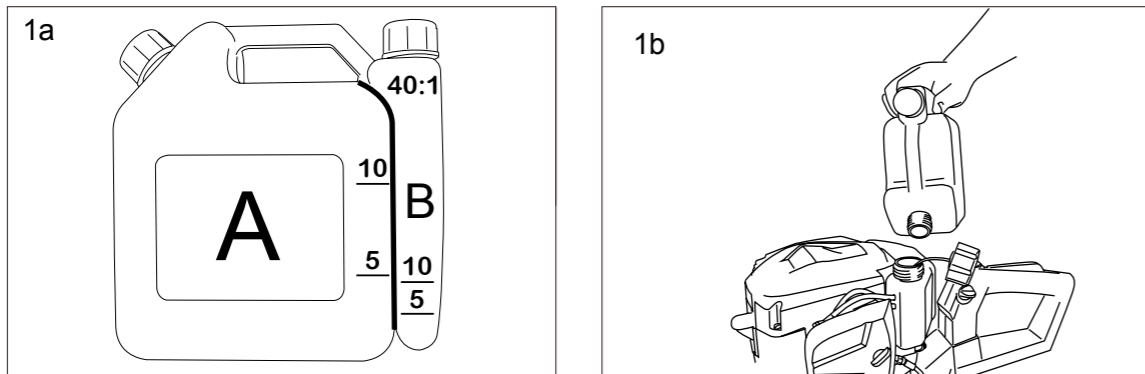
- Do not leave an active engine unsupervised.
- After a repair or maintenance of safety of protective devices the devices must be reinstalled correctly in the machine.
- It is essential to know the regulations regarding accident prevention that are valid in a specific workplace and all other generally acknowledged safety regulations.
- When working pay attention to stability and maintain good balance.
- Check the machine on regular basis for signs of damage.
- Before using the machine you must check safety devices. Make sure that components that might seem slightly damaged still perform correctly.
- Check if all movable parts work perfectly. Concentrate mainly on the damaged and jammed components. All components must be installed properly and must comply with conditions for trouble free operation.
- Unless stated otherwise in the instruction manual the damaged components and safety devices should be repaired or replaced in an authorised service centre.
- Damaged switches should be replaced in an authorised service centre.
- The machine complies with all relevant safety provisions. Repairs can be carried out only by qualified repair staff in authorised centres using original spare parts. In case of non-compliance with the provision there is a danger of accident.
- Do not use the hedge trimmer if your concentration is lowered, after taking medication, if you are under the influence of alcohol or if you are tired.

### Maintenance and Storage

- a) Keep all nuts, bolts and screws tight to be sure the equipment is in safe working condition;
- b) Never store the equipment with petrol in the tank inside a building where fumes can reach an open flame or spark;
- c) Allow the engine to cool before storing in any enclosure;
- d) To reduce the fire hazard, keep the engine, silencer, battery compartment and petrol storage area free of hedge, leaves, or excessive grease;
- e) Replace worn or damaged parts for safety;
- f) If the fuel tank has to be drained, this should be done outdoors.

# Preparing to Operate the Hedge Trimmer

## Step 1 - Filling with Engine Fuel



This product is powered by a 2-Stroke engine and requires pre-mixing of petrol and 2-cycle oil. Mix a high quality 2-Stroke engine oil according JASO FC classic. Do not use automotive oil or 2-cycle outboard oil. DO NOT mix quantities larger than usable in a 30 day period.

### 1a. FUEL MIXTURE: 1 Litre (1000 ml) petrol: 25cc (25 ml) 2 Stroke engine oil (40:1 ratio)

Using the markings under the label 40:1 on the bottle pour the fuel in the left hand side ('A') up to the required level eg 5 or 10 then fill the right hand side ('B') up to the same corresponding mark with oil. Shake vigorously to mix the two products prior to pouring into the tank of hedge trimmer.

**WARNING!** Ensure you use the 40:1 scale as the bottle is capable of mixing 25:1 and 50:1 ratios also using the other scales on the reverse side.

### 1b. FILLING TANK

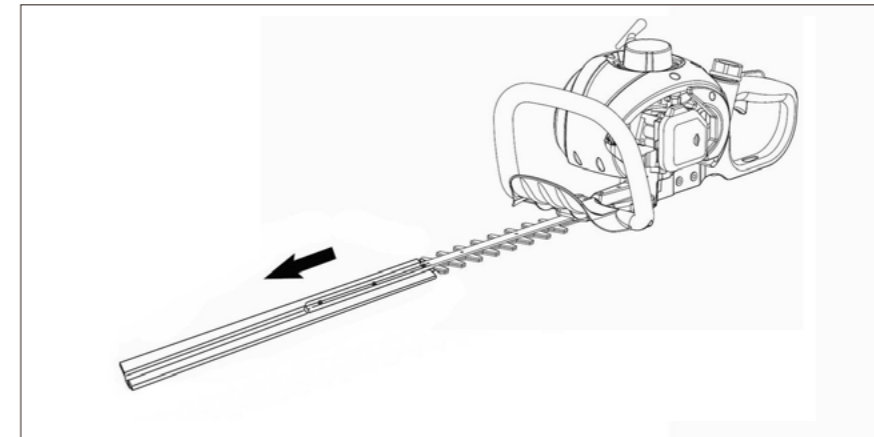
Clean surface around fuel cap to prevent contamination. Loosen fuel cap slowly. Rest the cap on a clean surface. Carefully pour fuel into the tank. Avoid spillage. Prior to replacing the fuel cap, clean and inspect the seal located in the fuel cap. Immediately replace fuel cap and hand tighten. Wipe up any fuel spillage.

**NOTE!** It is normal for smoke to be emitted from a new engine after first use.

**WARNING!** Always shut off engine before fueling. Never add fuel to a machine with a running or hot engine. Move at least 30ft.(9 m) from refueling site before starting engine. Do not smoke!

# Operating the Hedge Trimmer

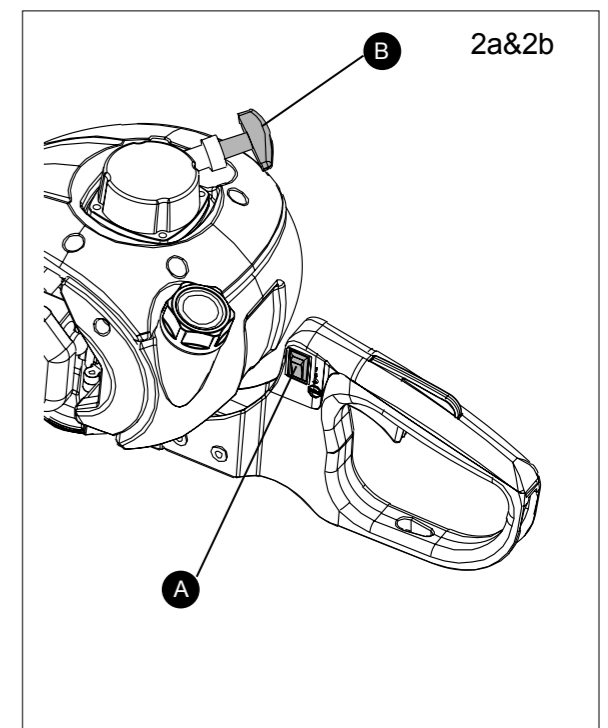
## Step 1 - Removing the blade protector



Remove the blade protector.

## Step 2 - Starting the Engine

	Cold	Hot
Set START/STOP switch to START position		
Press primer bulb 7-10 times		
FULL CHOKE		
Pull cord so that motor turns over, (the engine may start)		
RUN position		
Pull cord until motor runs		



### 2a To start a cold engine

- 1) Set the stop switch (A) into the START position. If starting a cold engine the auto-choke lever must be moved to the "||" position.
- 2) Press the primer bulb 7~10 times, the fuel can be pumped into the carburettor. This will reduce the number of start attempts after a longer break.
- 3) Now stand the hedge trimmer on the ground, place left hand on the front handle. Use your right hand to pull the starter grip (B) quickly.
- 4) Once the engine attempts to run. Move the auto-choke lever to the "||" position.



# Operating the Hedge Trimmer

## Step 2 - Starting the Engine (continued)

5) Pull the starter grip again until the engine runs, let it run for about 15 seconds then operate this hedge trimmer.

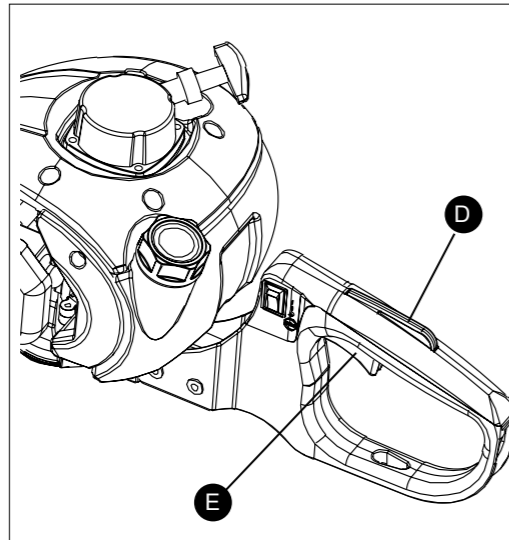


**ATTENTION!** Do not pull too much; watch the movable knife.

### 2b Starting under warm conditions

- 1) Set the switch (A) to (START).
- 2) Set the choke lever to (| ↓ |).
- 3) Pull the starter grip (B) quickly until engine runs.

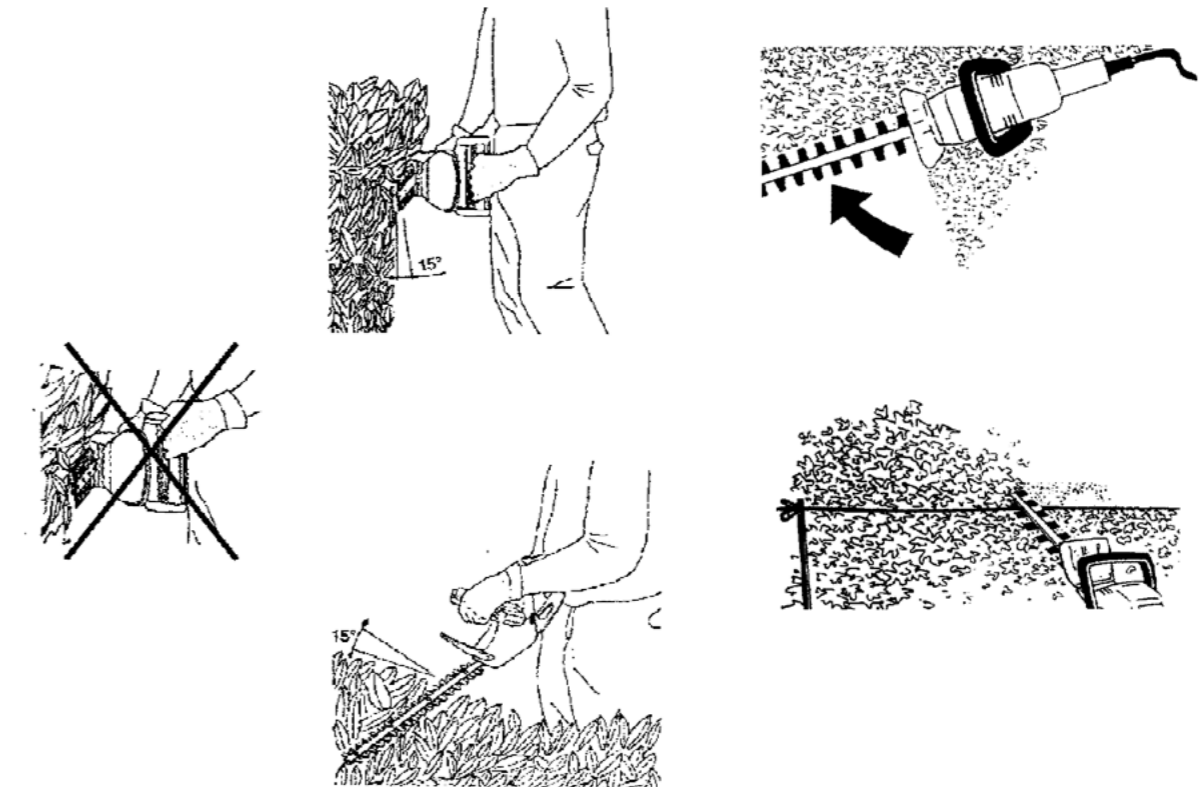
## Step 4 - Trimming



Depress the throttle lever lock (D) and throttle lever (E) to active the blade.

# Operating the Hedge Trimmer

## Step 4 - Trimming (continued)



Always start with the sides. Guide the hedge trimmer along an arch route up and down and keep cutting. You should be using both knife sides.

When cutting hold the hedge trimmer at the angle of about 15° and guide it horizontally across the hedge. When cutting the top part guide the trimmer in a sickle like movement toward the hedge edges. Cut branches will fall on the ground then.



**NOTE!** Do not cut at a time of a generally acknowledged rest time.



**NOTE!** If the branches are bigger than the maximal cutting power, they must be removed by pruning shears.

**NOTE!** If heavy pruning is required, you should work in stages.

## Stopping

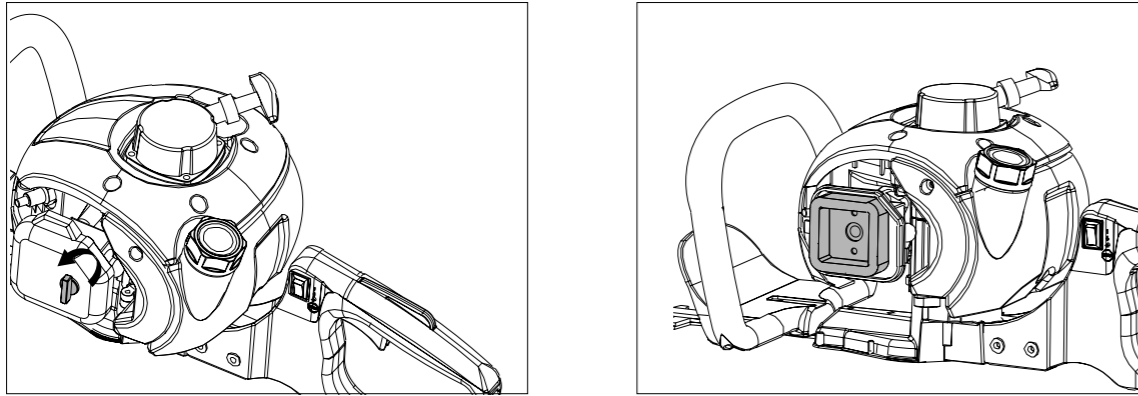
### Stopping

The hedge trimmer is equipped with an automatic brake system for quick stop which stops the knife immediately once the throttle is released to prevent a possible accident.

If you want to switch off the machine, you must move the switch into the "OFF" position.

# Cleaning the Air Filter

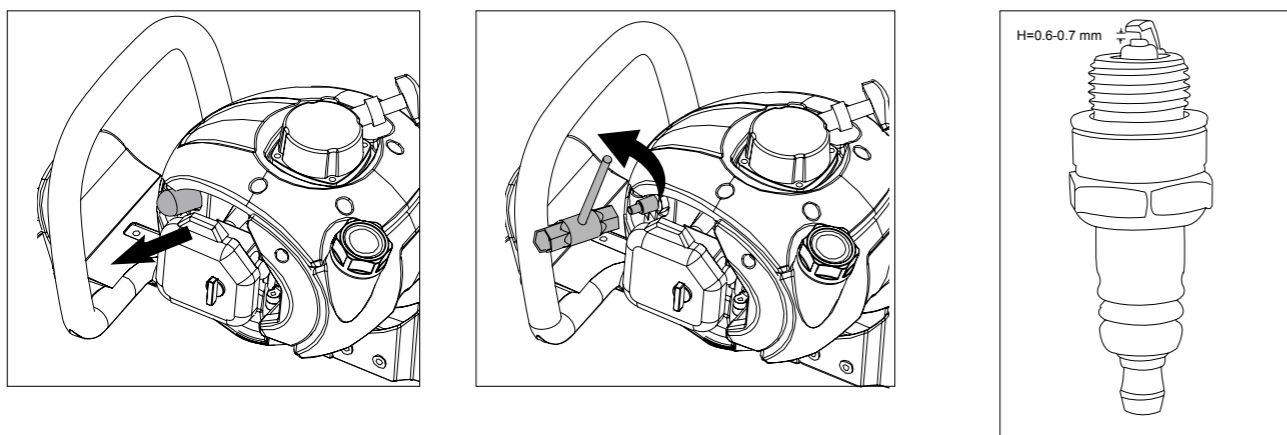
## Cleaning the air filter



- 1) Loosen the screw from the air filter housing and remove the cap.
- 2) Remove the air filter.
- 3) Wash the air filter in warm water (with a small amount of detergent).
- 4) Rinse the air filter through with clean water.
- 5) Leave the air filter to dry out completely.
- 6) Replace the air filter.
- 7) Replace the cover with the lugs positioned in the notches in the air filter casing.
- 8) Close the lid, and tighten the bolt again by hand.

# Replacing the Spark Plug

## Replacing the spark plug



**(Spark plugs: L8RTF).**

- 1) Pull off the ignition cable plug.
- 2) Use the multifunctional tool to unscrew and remove the spark plug.
- 3) Insert a new spark plug and tighten it carefully with the multifunctional tool.
- 4) Snap the ignition cable plug back on.

# Storing the Hedge Trimmer

## Step 1 - Storing the Hedge Trimmer for Short Periods

- Drain all fuel from tank into a container approved for petrol. Run engine until it stops. Clean all foreign material from the trimmer. Store it in a well-ventilated place that is inaccessible to children.
- Keep away from corrosive agents such as garden chemicals and de-icing salts.
- Abide by all ISO and local regulations for the safe storage and handling of petrol. Excess fuel should be used up in other 2-Stroke engine powered equipment.
- Remove any coarse dirt.
- Wipe the machine with a soft damp cloth.

## Step 2 - Storing the Hedge Trimmer for Extended Periods

- Clean air filter.
- Replace the spark plug with an exact replacement.

# Maintenance

## Maintenance Schedule

Performing routine maintenance correctly on your hedge trimmer will ensure you get years of trouble free use.

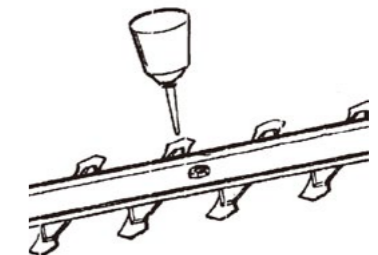
Please keep this manual safe for future reference.

It is recommended that the following maintenance schedule is adhered to. This will ensure the hedge trimmer operated correctly and is safe to use.

	12 hours of use	24 hours of use	36 hours of use
Air filter	clean	clean	replace
Spark plug	check	clean	replace

## List of vulnerable parts

901305	air filter
902700	spark plug L8RTF
901313	Fuel filter



## Blade lubrication

Ensure that the blade's cutting edge is always well oiled.



**WARNING!** Always switch off the head trimmer and remove the spark plug boot before carrying out any maintenance work.



**NOTE!** Only clean the machine after it has been switched off. Use only mild soap and a damp cloth to clean it. Never allow fluid to get into the machine. Do not use caustic cleaning products.

# Troubleshooting

## General Troubleshooting



**CAUTION!** Always switch off the engine and pull the ignition cable before starting any inspection or adjustment work.



**CAUTION!** If, after making an adjustment or repair to the engine, you let it run for a few minutes, remember that the exhaust and other parts will get hot. Thus, do not touch parts that emanate heat, as these may burn you.

The following table provides solutions to common problems encountered with the hedge trimmer.

Fault	Possible Cause	Solution
Engine not starting	<ol style="list-style-type: none"> <li>1. Empty tank</li> <li>2. Flooded engine</li> <li>3. Fouled spark plug (remains of carbon on the electrodes)</li> <li>4. Electrode gap too large</li> <li>5. Fouled carburetor or its jets</li> <li>6. Damaged spark plug connection or damaged spark plug</li> </ol>	<ol style="list-style-type: none"> <li>1. Fill up</li> <li>2. Close the throttle, pull cord several times, if required take out the spark plug and dry it</li> <li>3. Clean the spark plug, check its temperature, replace if needed.</li> <li>4. Adjust at 0.6-0.7 mm</li> <li>5. Clean the carburetor with air</li> <li>6. Replace the spark plug.</li> </ol>
Engine runs too fast when idle	<ol style="list-style-type: none"> <li>1. Cold engine</li> </ol>	<ol style="list-style-type: none"> <li>1. Warm up slowly; alternatively close the choke a bit.</li> </ol>
Engine does not reach its maximum speed	<ol style="list-style-type: none"> <li>1. Fouled spark plug (remains of carbon on the electrodes) spark gap to large</li> <li>2. Fouled carburettor or its jets</li> <li>3. Fouled air filter</li> <li>4. Exhaust, exhaust channel</li> <li>5. Sealing ring in crankcase not sealing properly</li> <li>6. Worn cylinders, pistons and piston rings</li> <li>7. Wrong fuel mix (too much oil)</li> <li>8. Bad ignition</li> </ol>	<ol style="list-style-type: none"> <li>1. Clean the spark plug, check its temperature, replace if needed. Adjust at 0.6-.07 mm.</li> <li>2. Clean the carburettor with air</li> <li>3. Clean</li> <li>4. Take out the exhaust and clean it, remove remains of carbon</li> <li>5. Replace</li> <li>6. Replace the cylinder, piston or piston rings, reface the cylinder and piston, assembly</li> <li>7. Fill up according to the instructions</li> <li>8. Adjust the ignition coil gap (0.3-0.4 mm)</li> </ol>
Engine would not stop	<ol style="list-style-type: none"> <li>1. The switch was failed.</li> <li>2. The wiring terminal. was disconnected.</li> </ol>	<ol style="list-style-type: none"> <li>1. Change the switch.</li> <li>2. Connect up the wiring terminal.</li> </ol>

# Technical Data

## Technical Data Table

Property	Value
Engine type	Single-cylinder, 2-stroke
Displacement(cc)	22.5 cc
Max power /Engine speed	0.55 kW/7000 min <sup>-1</sup>
Tank capacity	450 ml
Cutting speed	1550 min <sup>-1</sup>
Ignition	C.D.I
Cutting length	550 mm
Fuel ratio (petrol: 2 cycle motor oil)	40:1
Net weight	5 kg
Sound pressure level L <sub>PA</sub> (dB)	94 dB K=3 dB
Sound power level L <sub>WA</sub> (dB)	110 dB
Vibration (m/s <sup>2</sup> )	7.0 m/s <sup>2</sup>
Spark type	L8RTF

# Disposal

## Disposal Instructions

The hedge trimmer and its accessories are made of various recyclable materials. Dispose of the hedge trimmer in accordance with your local recycling regulations.

# Guarantee

Dear Customer,

In the unlikely event that your device develops a fault, please contact our Customer service department on the telephone number shown below.

1. These guarantee terms cover additional guarantee rights and do not affect your statutory warranty rights.

Claims must be accompanied by Proof of Purchase. This must be in the form of a Sales receipt or Bank statement and must show that the product has been purchased within 1 year prior to the claim, from the retailer that it was originally sold to.

2. Our guarantee covers problems caused by material or manufacturing defects, and will result in the repair of these defects or replacement of the device with a like for like or similar article. Please note that our devices have not been designed for use in commercial, trade or industrial applications. Consequently, the guarantee is invalidated if the equipment is used in commercial, trade or industrial applications or for other equivalent activities.

3. The following are also excluded from our guarantee:

- A) Faults due to accidents, customer misuse, or unauthorized repairs
- B) Consumable Parts such as Blades/ /Spark plugs or Filters
- C) Failure due to lack of routine maintenance
- D) Failure as a result of not using the equipment in accordance with the manual and safety instructions
- E) The adjustment of cables, drive belts, or recoil starters

4. The guarantee is valid for a period of 1 year starting from the purchase date of the device. Guarantee claims should be submitted before the end of the guarantee period within two weeks of the defect being noticed. No guarantee claims will be accepted after the end of the guarantee period. The original guarantee period remains applicable to the device even if repairs are carried out or parts are replaced. In such cases, the work performed or parts fitted will not result in an extension of the guarantee period, and no new guarantee will become active for the work performed or parts fitted. This also applies when an on-site Service is used.

5. Please keep your sales receipt in a safe place. If the defect is covered by our guarantee your device will either be repaired under the terms of guarantee or we will send you a replacement device. This device may be re-conditioned or Like for like replacement.

**Complete Product Support & Aftersales Service 7 days a week.**

**Do you need help with this product?  
Instead of returning your product please  
call 0845 450 5299 7 days a week.  
Email: [support@gardenservicecentre.co.uk](mailto:support@gardenservicecentre.co.uk)  
Or visit [www.gardenservicecentre.co.uk](http://www.gardenservicecentre.co.uk)**

**This does not affect your statutory rights.**

# Declaration of Conformity

CE 0359

EC Declaration of Conformity

Year of 1st Issue . 12

Argos Ltd

489-499 Avebury Boulevard  
Saxon Gate West  
Milton Keynes  
Buckinghamshire  
MK9 2NW

We hereby certify that the product stipulated above complies with all the relevant provisions of the following EC new approach directive/s.

**This declaration of conformity is issued under the sole responsibility of the manufacturer**

Type of Product: Petrol hedge trimmer

Model Number: QJB23

Cat / Article Number: 7305454

Product Description:  
22.5 cm<sup>3</sup>, 2-stroke  
0.55kW/7000rpm  
Fuel tank: 450ml  
Cutting length: 550mm  
Cutting diameter 28mm  
Double action blade

Photograph:



Applicable EC Directives	
<input checked="" type="checkbox"/>	2006/42/EC (MD)
<input type="checkbox"/>	2006/95/EC (LVD)
<input type="checkbox"/>	89/686/EEC (PPE)
<input type="checkbox"/>	2009/142/EC (Gas)
<input checked="" type="checkbox"/>	2004/108/EC (EMC)
<input type="checkbox"/>	2009/105/EC (Pressure)
<input type="checkbox"/>	2009/48/EC (Toys)
<input type="checkbox"/>	89/106/EEC (Construction)
<input type="checkbox"/>	1999/5/EC (R&TTE)
<input checked="" type="checkbox"/>	2000/14/EC Annex , 2005/88/EC
	L <sub>WA</sub> = 110dB(A), L <sub>PA</sub> = 94dB(A), K=3dB(A)
<input checked="" type="checkbox"/>	Directive 97/68/EC , as last amended by Directive 2010/26/EC

Applicable Harmonized Standards:	Report Date	Verification of conformity	
		Certificate	Notified Body
EN ISO 10517:2009	2012-09-24	MD	0359
ISO 22868	2012-09-24	Noise	0359
EN ISO14982:2009	2012-09-24	EMC	0359
EC Type approval certificate number SH12090605-V1	2012-09-24	CE	0359

Issued number: 1.0

Issued on : 2012-09-24

Signed : *R. Pantou-Kent*

Creator: Max Shi

Name : Roger Pantou-Kent

Position: QA

Position: Head of Quality Assurance

The associated technical file for this product can be found within Argos Ltd. idocument system