



User Manual

Spend a little Live a lot



Original instructions

3.6V

Cordless mini grass & hedge trimmer

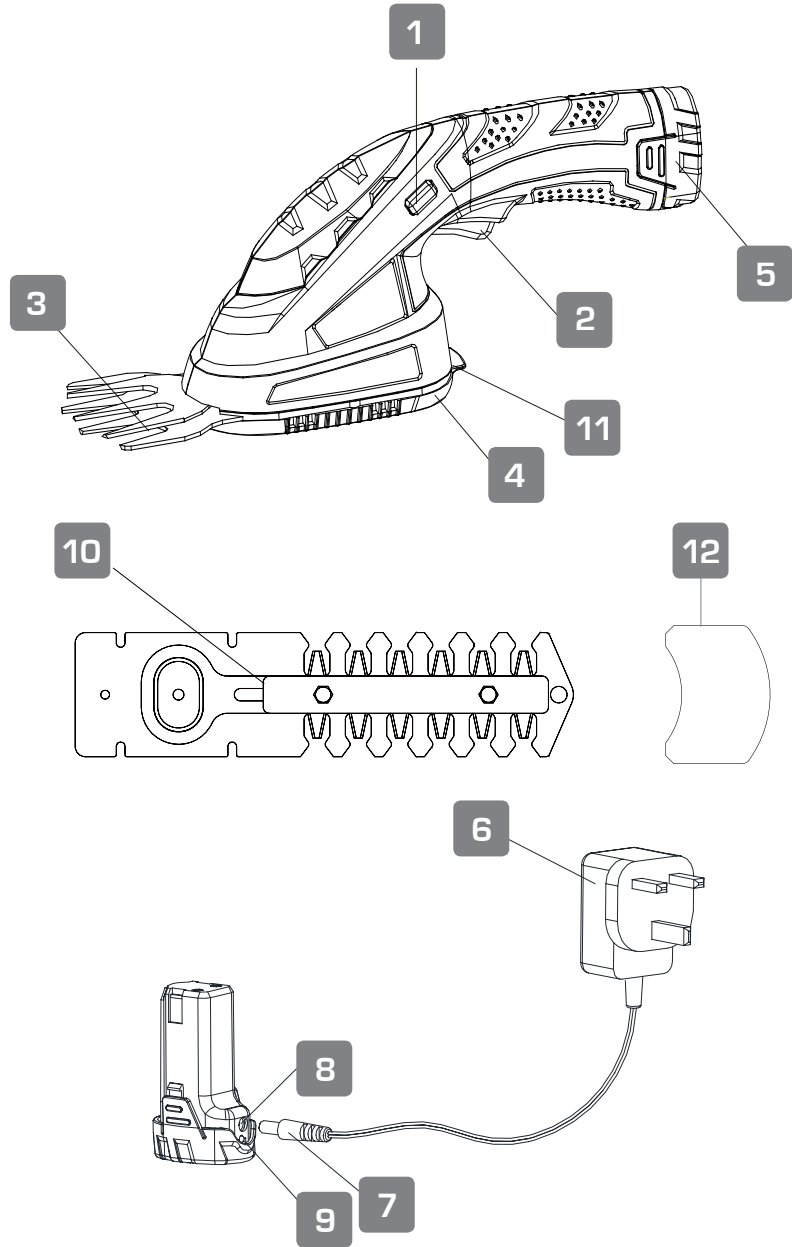
GL3.6GS



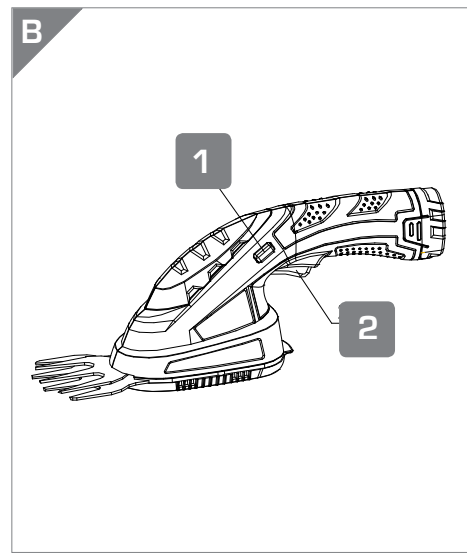
Contents

Product images and parts list	8
General information	9
Reading and storing the instruction manual.....	9
Explanation of symbols.....	9
Safety	13
Work area safety.....	13
Electrical safety	13
Personal safety	14
Power tool use and care.....	16
Battery tool use and care	17
Service	18
Hedge trimmer safety warnings	18
Special safety directions for hedge trimmers	19
Further safety directions.....	20
Special safety directions for battery-operated tools	21
Safety directions for the battery charger	22
Checking the box contents	24
Operation	24
Switching on/off	25
Insert/remove the battery pack.....	25
Charging the Battery.....	26
Take off the Blades.....	27
Installing the hedge/shrub blades.....	27
Installing the grass trimmer blades.....	28
Install the blade cover.....	29
Cutting edges.....	29
Cutting hedges.....	30
Maintenance	30
Cleaning	31
Storage	33
Troubleshooting	34
Disposal	35
Technical data	36
EC Declaration of Conformity	38
Warranty Card	39
Warranty Conditions	40

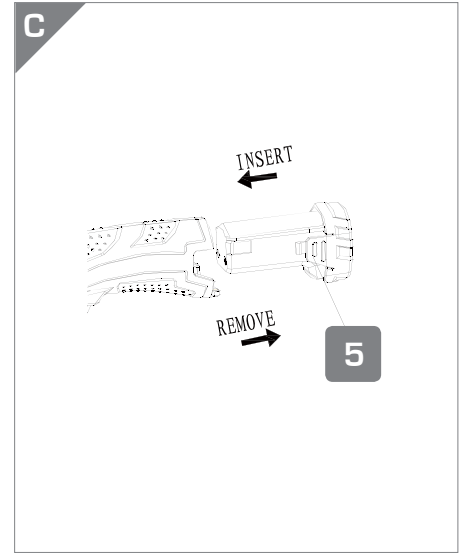
A



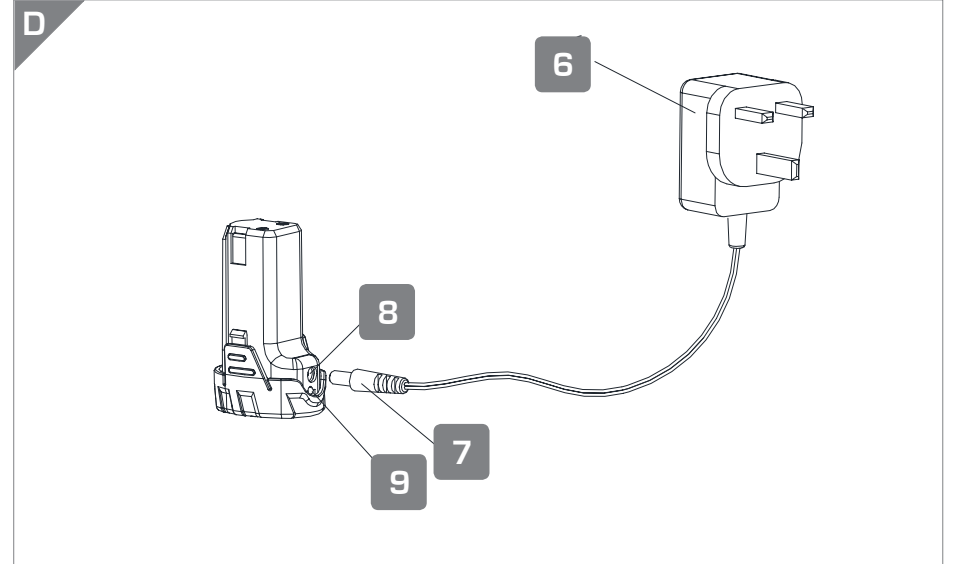
B

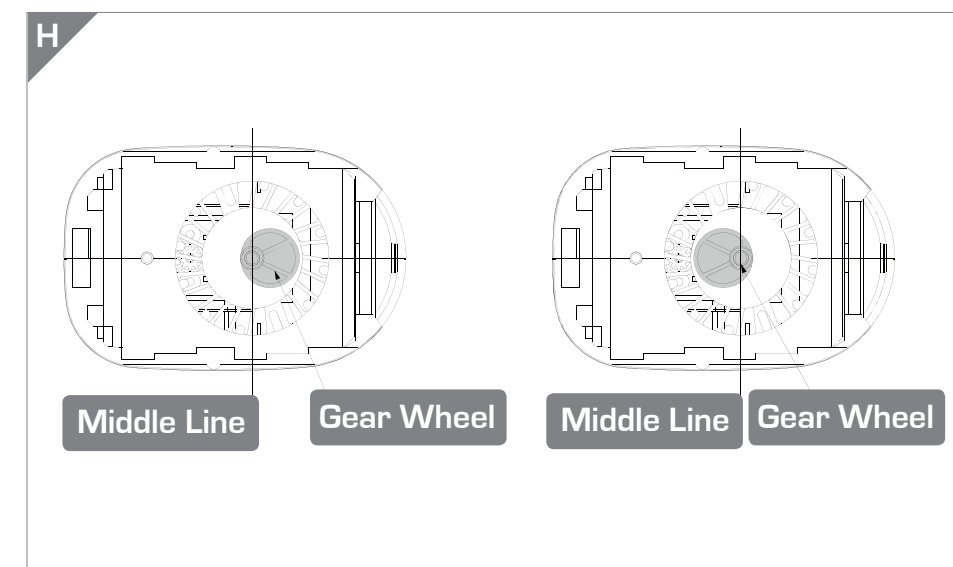
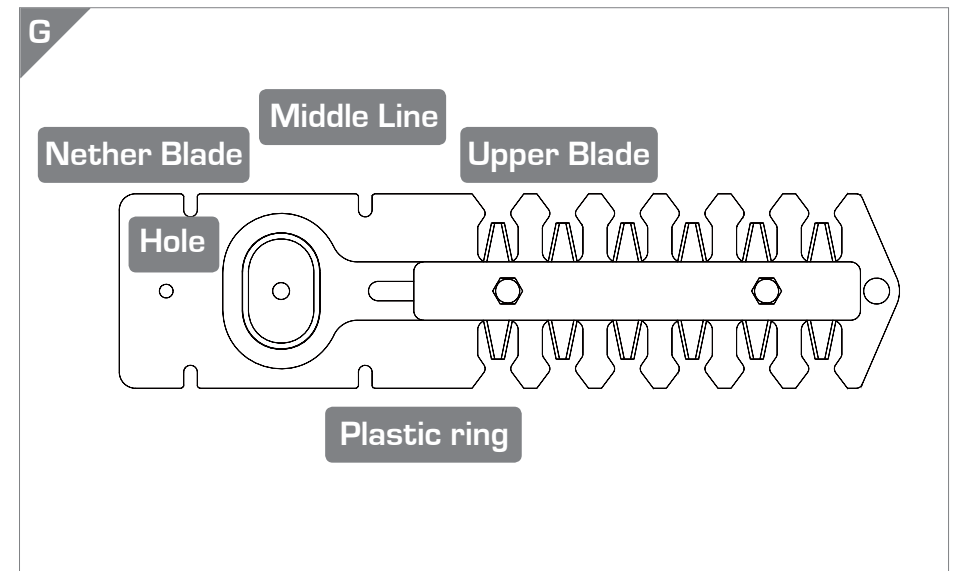
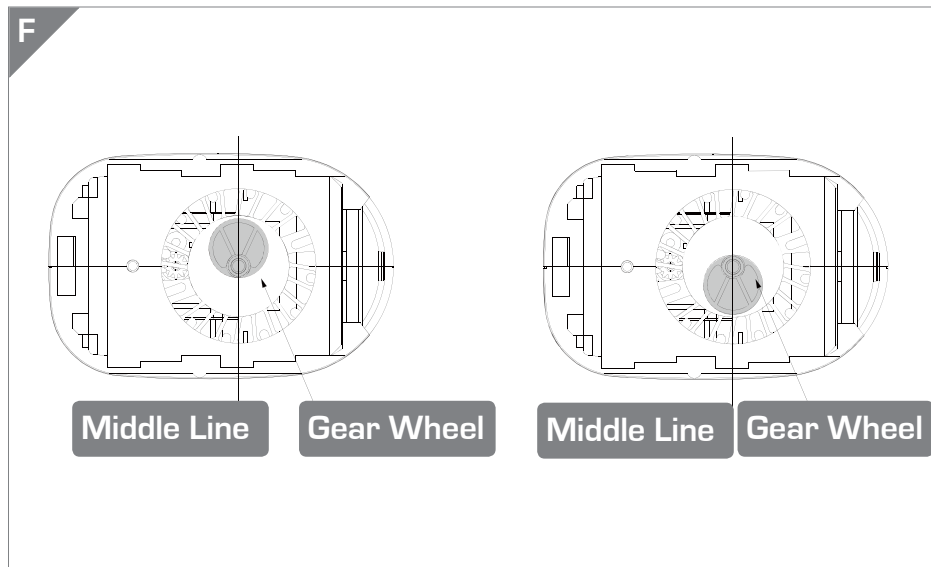
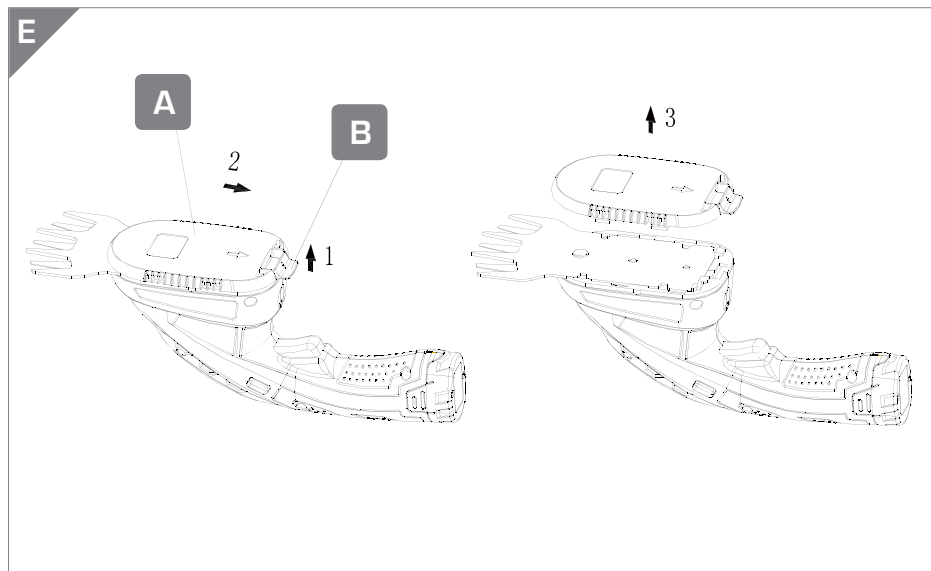


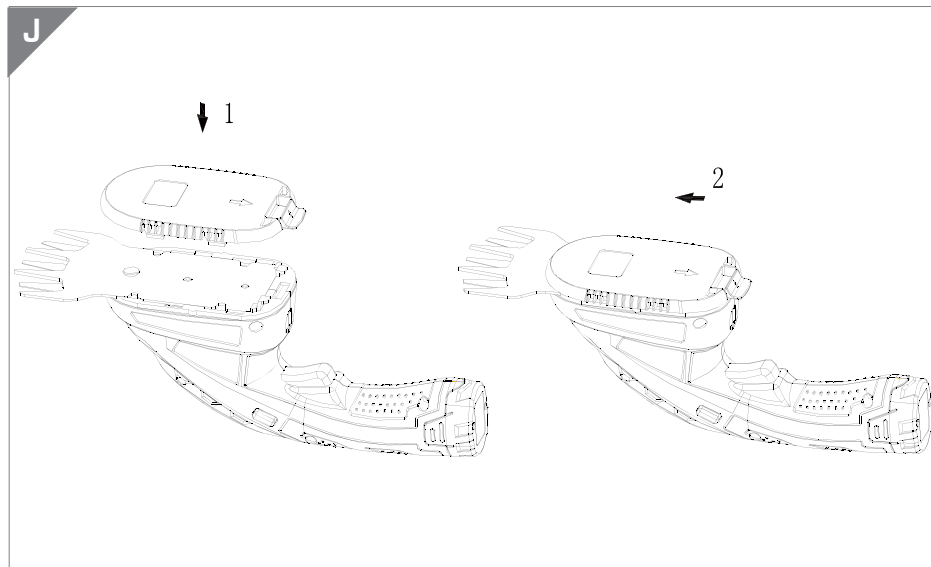
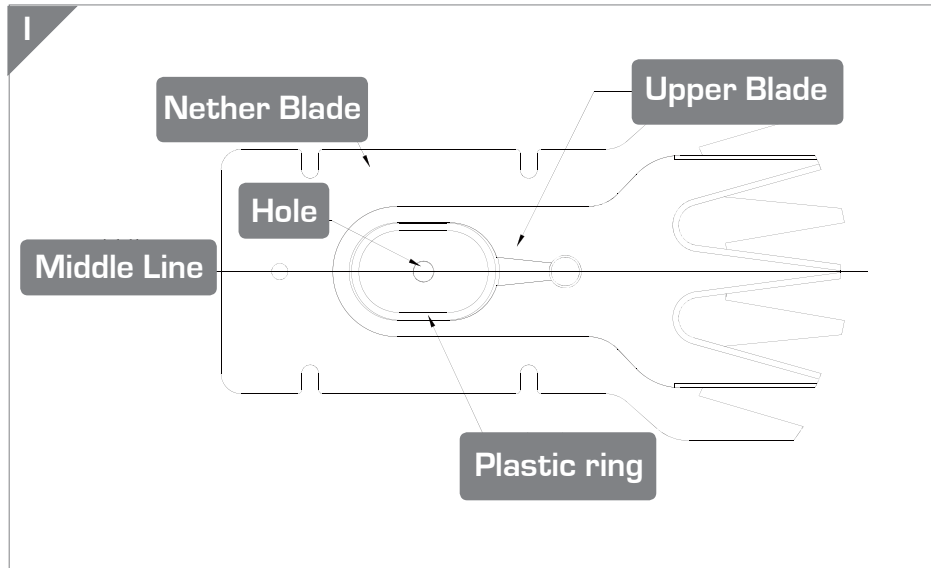
C



D







- 1 Lock-off Button
- 2 On/off switch
- 3 Shear Blade
- 4 Blade Cover
- 5 Battery Pack
- 6 Charger
- 7 Charger Plug
- 8 Charger Hole
- 9 Charge Indicator
- 10 Hedge Trimmer Blade
- 11 Retainer
- 12 Blade cover

Reading and storing the instruction manual



This instruction manual accompanies this 3.6V cordless mini grass & hedge trimmer. It contains important information on assembly, start-up and handling. Before using the 3.6V cordless mini grass & hedge trimmer, read the instruction manual carefully. This particularly applies to the safety notes. Failure to heed this instruction manual may result in severe injury or damage to the 3.6V cordless mini grass & hedge trimmer. The instruction manual is based on the standards and rules in force in the European Union. Store the instruction manual for future use. If you pass the 3.6V cordless mini grass & hedge trimmer on to third parties, please be absolutely sure to include this instruction manual.

You can request an electronic version of these instructions from our customer service.

Explanation of symbols



Read the user manual before using the machine.





Warning! Danger!

AFTER SALES SUPPORT



www.coreservice.co.uk



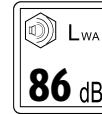
 01904 727 506
 0124 75150



IMPORTANT! Wear gloves to protect your hands.



Wear safety boots to protect your feet.



Guaranteed sound power level value in dB.



WEEE symbol. Electrical products should not be disposed of with household waste. Please recycle where facilities exist. Check with your Local Authority or local store for recycling advice.



Batteries contain Li-ion waste. Do not dispose of batteries as unsorted municipal waste with household waste. Check with your Local Authority or local store for recycling advice.





Do not expose the product to rain or wet conditions.



You must always wear safety goggles to guard your eyes from flying debris, ear plugs or similar ear defenders to protect your hearing and respiratory protection to protect breathing.

AFTER SALES SUPPORT



 01904 727 506
 0124 75150



www.coreservice.co.uk



Objects thrown by the product could hit the user or other bystanders. Always ensure that other people and pets remain at a safe distance from the product when it is in operation. In general, children must not come near the area where the product is in operation.



Touch parts only when they are completely stopped.



Caution! Be careful of falling objects.



Keep hands away from blades.

symbols on the battery pack



Do not expose the battery pack to sunlight or increased temperatures!



Do not dispose of a battery pack in water!



Do not dispose of a battery pack with the household waste!



Do not litter to fire!

symbols on the charger



Before use, carefully read through the user manual.



Do not dispose of batteries. Return exhausted batteries to your local collection or recycling point.



The charger is for indoor use only.



Protection class II.



Pole orientation.



The product complies with the applicable European directives and an evaluation method of conformity for these directives was undertaken.



Safety

General safety instructions for power tools

– **WARNING! Read all safety directions and instructions.**

Omissions in the compliance with safety directions and instructions can cause electrical shock, fire and/or severe injuries.

– **Retain all safety directions and instructions for future use.**

The term “Power Tools” used in the safety instructions refers to mains-operated power tools (with power cord) and to battery-operated power tools (without power cord).

1) Work area safety

- a) **Keep work area clean and well lit.** Cluttered or dark areas invite accidents.
- b) **Do not operate power tools in explosive atmospheres, such as in the presence of flammable liquids, gases or dust.** Power tools create sparks which may ignite the dust or fumes.
- c) **Keep children and bystanders away while operating a power tool.** Distractions can cause you to lose control.

2) Electrical safety

- a) **Power tool plugs must match the outlet. Never modify the plug in any way. Do not use any adapter plugs with earthed (grounded) power tools.** Unmodified plugs and

matching outlets will reduce risk of electric shock.

- b) **Avoid body contact with earthed or grounded surfaces, such as pipes, radiators, ranges and refrigerators.** There is an increased risk of electric shock if your body is earthed or grounded.
- c) **Do not expose power tools to rain or wet conditions.** Water entering a power tool will increase the risk of electric shock.
- d) **Do not abuse the cord. Never use the cord for carrying, pulling or unplugging the power tool.**

Keep cord away from heat, oil, sharp edges or moving parts.
Damaged or entangled cords increase the risk of electric shock.
- e) **When operating a power tool outdoors, use an extension cord suitable for outdoor use.** Use of a cord suitable for outdoor use reduces the risk of electric shock.
- f) **If operating a power tool in a damp location is unavoidable, use a residual current device (RCD) protected supply.** Use of an RCD reduces the risk of electric shock.

3) Personal safety

- a) **Stay alert, watch what you are doing and use common sense when operating a power tool. Do not use a power tool while you are tired or under the influence of drugs,**



- alcohol or medication.** A moment of inattention while operating power tools may result in serious personal injury.
- b) **Use personal protective equipment. Always wear eye protection.** Protective equipment such as dust mask, non-skid safety shoes, hard hat, or hearing protection used for appropriate conditions will reduce personal injuries.
 - c) **Prevent unintentional starting. Ensure the switch is in the off position before connecting to power source and/or battery pack, picking up or carrying the tool.** Carrying power tools with your finger on the switch or energizing power tools that have the switch on invites accidents.
 - d) **Remove any adjusting key or wrench before turning the power tool on.** A wrench or a key left attached to a rotating part of the power tool may result in personal injury.
 - e) **Do not overreach. Keep proper footing and balance at all times.** This enables better control of the power tool in unexpected situations.
 - f) **Dress properly. Do not wear loose clothing or jewellery. Keep your hair, clothing and gloves away from moving parts.** Loose clothes, jewellery or long hair can be caught in moving parts.
 - g) **If devices are provided for the connection of dust extraction and collection facilities, ensure these are**



connected and properly used. Use of dust collection can reduce dust-related hazards.

4) Power tool use and care

- a) **Do not force the power tool. Use the correct power tool for your application.** The correct power tool will do the job better and safer at the rate for which it was designed.
- b) **Do not use the power tool if the switch does not turn it on and off.** Any power tool that cannot be controlled with the switch is dangerous and must be repaired.
- c) **Disconnect the plug from the power source and/or the battery pack from the power tool before making any adjustments, changing accessories, or storing power tools.** Such preventive safety measures reduce the risk of starting the power tool accidentally.
- d) **Store idle power tools out of the reach of children and do not allow persons unfamiliar with the power tool or these instructions to operate the power tool.** Power tools are dangerous in the hands of untrained users.
- e) **Maintain power tools. Check for misalignment or binding of moving parts, breakage of parts and any other condition that may affect the power tool's operation. If damaged, have the power tool repaired before use.** Many accidents are caused by poorly maintained power tools.



- f) **Keep cutting tools sharp and clean.** Properly maintained cutting tools with sharp cutting edges are less likely to bind and are easier to control.
- g) **Use the power tool, accessories and tool bits etc. in accordance with these instructions, taking into account the working conditions and the work to be performed.** Use of the power tool for operations different from those intended could result in a hazardous situation.

5) Battery tool use and care

- a) **Recharge only with the charger specified by the manufacturer.** A charger that is suitable for one type of battery pack may create a risk of fire when used with another battery pack.
- b) **Use power tools only with specifically designated battery packs.** Use of any other battery packs may create a risk of injury and fire.
- c) **When battery pack is not in use, keep it away from other metal objects, like paper clips, coins, keys, nails, screws or other small metal objects, that can make a connection from one terminal to another.** Shorting the battery terminals together may cause burns or a fire.
- d) **Under abusive conditions, liquid may be ejected from the battery; avoid contact. If contact accidentally occurs,**



flush with water. If liquid contacts eyes, additionally seek medical help. Liquid ejected from the battery may cause irritation or burns.

6) Service

- a) **Have your power tool serviced by a qualified repair person using only identical replacement parts.** This will ensure that the safety of the power tool is maintained.

7) Hedge trimmer safety warnings:

- a) **Keep all parts of the body away from the cutter blade. Do not remove cut material or hold material to be cut when blades are moving. Make sure the switch is off when clearing jammed material.** A moment of inattention while operating the hedge trimmer may result in serious personal injury.
- b) **Carry the hedge trimmer by the handle with the cutter blade stopped. When transporting or storing the hedge trimmer always fit the cutting device cover.** Proper handling of the hedge trimmer will reduce possible personal injury from the cutter blades.
- c) **Keep cable away from cutting area.** During operation the cable may be hidden in shrubs and can be accidentally cut by the blade.



Special Safety Directions for the 3.6V cordless mini grass & hedge trimmer

8) Special safety directions for hedge trimmers

- a) **Keep all body parts away from the blade. Do not attempt to remove clippings while the blade is operating or to hold on to material which is to be cut. Only remove trapped clippings when the tool is switched off.** One moment of carelessness in the usage of the hedge trimmer can lead to severe injury.
- b) **Carry the hedge trimmer at the handle with an idle blade. Always pull on the protective cover during transport and storage of the hedge trimmer.** Careful handling of the tool reduces the risk of injury from the blade.
- c) **Hold the power tool only on the insulated handle surfaces, as the cutting blade may come into contact with concealed power cables.** Contact between the cutting blade and a live cable may render metallic components live and result in an electric shock.
- d) **Before the work, search the hedge for concealed objects, e.g. cable etc.** To avoid damaging the equipment.
- e) **Hold the hedge trimmer correctly, e.g. with both hands on the handles, if there are two handles.** Loss of control of the equipment may result in injuries.



- f) **Wear suitable clothing and work clothes when working with the equipment. Do not hold the equipment by the cutting blade or lift it on the cutting blade.** Contact with the cutting blade can cause injuries.
- ### 9) Further safety directions
- a) **Only switch on the tool when hands, feet and all other body parts are at a secure distance to the tool.** Risk of injury from cuts.
 - b) **Take care not to injure your hands and feet with the cutting elements.**
 - c) **Remove the power supply unit before working with the equipment.**
 - d) **Do not use the hedge cutter in combination with the telescopic shaft.**
 - e) **The tool is designed to shape hedges. Do not use the tool to cut branches, hard wood or other.** To avoid damaging the equipment.
 - f) **Do not attempt to dislodge a blocked/trapped blade before switching the tool off.** There is a risk of injury.
 - g) **Always switch off the tool and remove the battery (if applicable)**



- if you leave the tool unsupervised
 - before removing jams
 - before control- maintenance- or cleaning tasks
 - if you have come into contact with a foreign object
 - whenever the machine starts to vibrate uncontrollably.
- h) **Never allow children, persons with reduced physical, sensory or mental capabilities or lack of experience and knowledge or people unfamiliar with these instructions to use the machine, local regulations may restrict the age of the operator.**
- i) **Never to operate the machine with defective guards or shields, or without safety devices, or if the cord is damaged or worn.**
- j) **Not to connect a damaged cord to the supply or touch a damaged cord before it is disconnected from the supply for the reason that damaged cords can lead to contact with live parts.**

10) Special safety directions for battery-operated tools

- a) **Do not expose the battery to strong sunlight or hot environment over long periods of time.** Heat damages the battery and there is a risk of explosion.
- b) **Allow a hot battery to cool before charging.**



- c) **Do not open up the battery and avoid mechanical damage to the battery.** Risk of short circuit and fumes may be emitted that irritate the respiratory tract. Ensure fresh air and seek medical assistance in the event of discomfort.

11) Safety directions for the battery charger

- a) The charger must only be connected to a mains socket via a residual-current circuit breaker (RCD) with a rated leakage current of not more than 30 mA.
- b) **Children shall not play with the appliance.** Cleaning and user maintenance shall not be made by children without supervision.
- c) **To charge the battery, use the charger supplied only. Risk of fire and explosion.** This ensures that the safety of the device is maintained.
- d) **Before each use, check the charger, cable and plug and have them repaired by qualified professionals and only with original parts. Do not use a defective charger and do not open it up yourself.** This ensures that the safety of the device is maintained.
- e) **Ensure that the mains voltage matches the specifications on the charger rating plate.** Risk of electric shock.
- f) **Disconnect the charger from the mains before closing or**



opening connection to the battery / power tool / device.

This ensures that the battery and charger are not damaged.

- g) **Keep the charger clean and away from wet and rain. Do not use the charger outdoors.** Dirt and the entry of water increase the risk of electric shock.
- h) **Operate the charger only with the appropriate original batteries.** Charging other batteries may result in injuries and risk of fire.
- i) **Avoid mechanical damage to the charger.** This can result in internal short circuits.
- j) **Do not operate the charger on a combustible surface (e.g. paper, textiles).** Risk of fire due to heating during charging.
- k) **If the power cable for this equipment is damaged, it must be replaced by the manufacturer, a customer service agent of the same or a similarly qualified person in order to prevent hazards.**
- l) Do not use the charger to charge non-rechargeable batteries.

**Checking the box contents****WARNING! RISK OF DAMAGE!**

Open the packaging carefully when using a sharp knife or other pointed objects, you may damage the product.

1. Take the product out of the packaging and check whether the appliance or the individual parts show signs of damage. If this is the case, do not use it. Contact the manufacturer at the service address specified on the warranty card.
2. Check to make sure that the delivery is complete (see Fig A).

Operation

This unit arrives fully assembled. Remove clear plastic blade guard before use and save it to use as blade guard when unit is not in use.

Battery must be charged before use. Please refer to battery charging instructions.

If the blade becomes jammed on a branch while cutting, immediately release trigger and clear jam. If you continue to hold trigger with the blade jammed, you will damage the motor.

IMPORTANT: This is a powerful tool that is remarkably easy and



comfortable to use. As such, please pay attention to the blades while using, to avoid cutting yourself.

Switching on/off

Warning! Never remove or bridge the switching devices.

The starting lockout prevents your tools from being switched on unintentionally.

To switch on:

1. Push lock-off button(1) forward and depress the on/off switch (2)
2. Release the lock-off button (1) again.(See Fig B)

To switch off:

Release the on/off switch(2)

Insert/remove the battery pack

1. Always release the On/Off switch before insertion or removal of the battery pack.
2. Withdraw the battery pack from the tool while pressing the spring buttons on both sides of the cartridge. (See Fig C)

Attention: The moving blade will move back if the moving blade is not in the fully open position when inserting the battery pack.



Charging Battery



WARNING! DO NOT USE OTHER BATTERY CHARGERS.

Observe correct mains voltage, it should be between 230-240V~ 240V. Do not continue to press the On/Off switch after the machine has been automatically switched off. The battery can be damaged.

The battery is supplied partially charged. To ensure full capacity of the battery, completely charge the battery in the battery charger before using your power tool for the first time.

A battery that is new or has not been used for a longer period does not develop its full capacity until after approx. 5 charging/ discharging cycles.

1. Plug the charger (6) into a socket outlet and the charger plug (7) into the charger hole (8) of the battery pack (5) (8). The battery charge indicator (9) lights up. The indicator lights up red during the charge procedure.
2. The battery is completely charged when the indicator lights up green.
3. Disconnect the battery charger from the mains supply when not using it for longer periods.



Take off the Blades



WARNING! DO NOT operate the switch before dismantling or fitting the blades. Risk of injury!

The blade can be changed rapidly and expediently without any tools.

Follow the steps as shown in the upper figure. (See Fig. E)

To change the blade, you must remove the Blade cover (A) at first.

1. Hold the machine in one hand as shown in the figure E, with the handle towards your body. Lever the retainer (B) upwards with your thumb whilst sliding the cover backwards.
2. Hold the blade cover firmly and pull it backwards.
3. Remove the blade cover upwards.
4. Take off the blades and install another blade.

After you take off the blades you will see the gear wheels (See Fig. F).

Make sure that no dirt, grass and leaves get in the gear.

Important! If there are grasses or leaves around the gear please clean them.

Installing the hedge/shrub blades

1. Turn the gear wheel so that the middle line of the marking



rib on the gear wheel is exactly positioned downwards or upwards. (See Fig F)

2. Move the upper blade of the hedge/shrub blades so that the middle line of the plastic ring is positioned exactly align the centre of the hole. (See Fig G).
3. Guide the four locking holes of the hedge/shrub blades with the four locking pins on the gear carriage. Make sure that the cam of the gear wheel snaps into the plastic ring entirely.
4. Install the blade cover.

Installing the grass trimmer blades

1. Turn the gear wheel so that the middle line of the marking rib on the gear wheel is positioned exactly leftwards. (See Fig H).
2. Move the upper blade of the grass blades so that the middle line of the plastic ring is positioned exactly aligned with the centre of the hole. (See Fig I).
3. Guide the four locking holes of the grass blades with the four locking pins on the gear carriage. Make sure that the cam of the gear wheel snaps into the plastic ring entirely.



Install the blade cover



WARNING! DO NOT operate the switch before the blade cover is installed. Risk of injury!

Install the blade cover (See Fig J)

1. Insert the blade cover align the two lines marked in the upper figure.
2. Push the blade cover forwards until the retainer fit in a suitable position.

Cutting edges



NOTICE! Risk of damage to the unit! Ensure that the cutting mechanism does not come into contact with paved floors, stones or garden walls.

If foreign objects should get caught up in the cutting unit then switch off the device immediately.

1. Guide the device along the edge of the lawn.



Cutting hedges



NOTICE! Risk of damage to the unit!

Be especially careful when working near fences! If cut material such as fence wire or similar material should get caught up in the cutting unit then switches off the device immediately.

Risk of environmental damage! Before cutting a hedge, check no birds are nesting.

1. Trim smoothly with the broad side of the cutting equipment. Do not push the point into the hedge.

Maintenance

1. Always switch the product off, disconnect the battery pack from the product and let the product cool down before performing inspection, maintenance and cleaning work!
2. Keep the product clean. Remove debris from it after each use and before storage, using a soft damp cloth.
3. Regular and proper cleaning will help ensure safe use and prolong the life of the product.
4. Inspect the product before each use for worn or damaged parts. Do not operate it if you find broken or worn parts.



**WARNING!**

Only perform repairs and maintenance work according to these instructions. All further works must be performed by a qualified specialist.

Cleaning

Before cleaning, inspecting or repairing your unit, make sure that the motor has stopped and is cool. Disconnect the battery pack to prevent accidental starting.

Note! To ensure the best performance of your product, it is important to keep it clean. Always clean your 3.6V cordless mini grass & hedge trimmer immediately after use.

Do not allow grass cuttings and other debris to become dry and hard on any of the product surfaces. This will directly affect the cutting performance. Never clean the product with a water jet or high pressure cleaner. The motor must remain dry. Do not use aggressive cleaning agents such as cold cleaner or petroleum ether.

1. Clean the product with a dry cloth. Use a brush for areas that are hard to reach.
2. Oil the cutting tool. Spray oil on all sides of the blades.



NOTE! Do not use chemical, alkaline, abrasive or other aggressive detergents or disinfectants to clean this product as they may cause damage to the cosmetic surfaces.

Spare parts/Replacement parts

Plastic blades may be replaced by the consumer. Spare parts are available at an authorised dealer or through our customer service.

List of consumable parts:

Charger	JLH030600400B
Battery pack	ET-D0361
Shear blade	ET1205-11
Hedge trimmer blade	ET1205-12

Repair

This product does not contain any parts that can be repaired by the consumer other than those covered in the maintenance section. Contact an authorised service centre or a similarly qualified person to have it checked and repaired.



Transportation

1. Switch the product off and disconnect the battery pack from the machine before transporting it anywhere.
2. Attach transportation guards, if applicable.
3. Always transport the product by its handle. When lifting the product use the transportation handle as an aid.
4. Protect the product from any heavy impact or strong vibrations which may occur during transportation in vehicles.
5. Secure the product to prevent it from slipping or falling over.

Storage

1. Clean the product as described above and disconnect the battery pack.
2. Store the product and its accessories in a dry, frost-free place.
3. Always store the product in a place that is inaccessible to children. The ideal storage temperature is between 10°C and 30°C.
4. We recommend using the original packaging for storage or covering the product with a suitable cloth or enclosure to protect it against dust.



Troubleshooting

Suspected malfunctions are often due to causes that the user can fix themselves.

Therefore check the product using this section. In most cases the problem can be solved quickly.



WARNING!

Only perform the steps described within these instructions! All further inspection, maintenance and repair work must be performed by an authorised service centre or a similarly qualified specialist if you cannot solve the problem yourself!

Fault	Possible cause	Troubleshooting
Device does not work.	Battery pack discharged?	Charge the battery
	Battery pack defective?	Contact service center
	Is the device defective?	Contact service center



Disposal

Disposing of the packaging



Dispose of the packaging separated into single type materials. Dispose of cardboard and carton as waste paper and foils via the recyclable material collection service.

Disposing of old devices



Old devices must not be disposed of with household waste!

If the product can no longer be used, every user is required by law to dispose of old devices separately from their household waste, e.g. at a collection point in the community/borough. This ensures that old devices are recycled in a professional manner and also rules out negative consequences for the environment.



Technical Data

Unit Model	GL3.6GS
Battery voltage	3.6 V d.c. Lithium-Ion
Battery type	ET-D0361 (1INCMR18/65)
Degree of Protection	IP X1
Cutting length (shrub trimming blades)	110mm
Cutting width (grass trimming blades)	80mm
Battery capacity	1.5Ah
Charger type	LH030600400B
Charger input	230-240V ~ , 50-60Hz, 8W
Charger output	6V d.c. 400mA
Charging time	5Hours
Protection class of charger	II
Net weight	0.5Kg

Noise and vibration data



A weighted sound pressure 79.1dB(A) K_{PA}: 3dB(A)

A measured sound power level 82.6dB(A)

A guaranteed sound power level 86dB(A)

Wear ear protection

Typical weighted vibration 1.509m/s² K=1.5m/s²



The declared vibration value has been measured in accordance with a standard test method and may be used for comparing one tool with another. The declared vibration value may also be used in a preliminary assessment of exposure.

WARNING! The vibration emission value during actual use of the tool can differ from the declared value depending on the ways in which the tool is used. Identify safety measures to protect the operator that are based on an estimation of exposure in the actual conditions of use (taking account of all parts of the operating cycle such as the times when the tool is switched off and when it is running idle in addition to the trigger time).

The sound intensity level for the operator may exceed 85dB(A) and ear protection measures are necessary.



Declaration of CE Conformity

We

SUMEC Hardware & Tools Co., Ltd.
 1 Xinghuo RD., Nanjing, China
 And our branch office
 SUMEC UK Co., Ltd.
 Unit A&B, Escrick Business Park
 Escrick, York YO 19 6FD

Declare that the product
 3.6V Cordless mini grass & hedge trimmer
 Model No: GL3.6GS
 Manufacture Model No.: NOE-11ET-3.6
 Function: Cutting grass and hedge
 Serial number: 00001---10000

Complies with the following directives:

EMC Directive: 2014/30/EC
 Machinery Directive: 2006/42/EC
 Noise Directive: 2000/14/EC amended by 2005/88/EC
 RoHS Directive: 2011/65/EU
 WEEE Directive: 2012/19/EU

Standards conform to:

EN 55014-1:2006+A1+A2; EN 55014-2:2015; EN 60745-2-15:2009+A1;
 EN 60745-1:2009+A11; EN 50636-2-94:2014; EN 60335-1:2012+A11;
 EN ISO 10517:2009+A1; EN ISO 12100_2010; EN 62233:2008

Authorized Signatory

Date: _26-12-2016_____

Signature: _____

Name: Mr. Liu Kai
 General Manager
 SUMEC Hardware & Tools Co., Ltd.






WARRANTY CARD

3.6V Cordless mini grass and hedge trimmer GL3.6GS

GB IRE

GB IRE

Your detail:

Name _____

Address _____

 _____ E-Mail _____

Date of purchase * _____

* We recommend you keep the receipt with this warranty card.

Location of purchase _____

Description of malfunction :




Return your completed warranty card together with the faulty product to:

Unit A&B
Escrick Business Park
Escrick
York
YO19 6FD

Email: support@coreservice.co.uk
Tel: 01904 727 506

AFTER SALES SUPPORT-7 DAYS A WEEK

 **01904 727 506**
 **www.coreservice.co.uk**

MODEL: GL3.6GS PRODUCT CODE: 68942 05/2017

Phone lines available
Mon - Fri : 9am - 5pm
Sat - Sun: 11am - 4pm.
Calls are charged at local rate,
mobiles may vary



Warranty conditions

Dear Customer,

The **ALDI warranty** offers you extensive benefits compared to the statutory obligation arising from a warranty:

Warranty period: 3 years from date of purchase

Costs: Free repair/exchange or refund.
No transport costs.

Hotline: Support line charged at local rate

ADVICE: Please contact our service hotline by phone, e-mail or fax before sending in the device. This allows us to provide support in the event of possible operator errors.

In order to make a claim under the warranty, please send us:

- Together with the faulty item the original receipt and the warranty card properly completed.
- The faulty product with all components included in the packaging.

The warranty does not cover damage cause by:

- **Accident or unanticipated events.** (e.g. lighting, water, fire)
- **Improper use or Transport.**
- **Disregard of the safety and maintenance instructions.**
- Other **improper treatment or modification.**
- **The cutting blades and batteries..**

After the expiry of the warranty period, you still have the possibility to have your product repaired at your own expense. If the repair or the estimate of costs is not free of charge you will be informed accordingly in advance.

This warranty does not effect your statutory rights.



Spend a little Live a lot

Great care has gone into the manufacture of this product and it is should therefore provide you with years of good service when used properly. In the event of product failure within it's intended use over the course of the first 3 years after date of purchase, we will remedy the problem as quickly as possible once it has been brought to our attention. In the unlikely event of such an occurrence, or if you require any information about the product, please contact us via our helpline support services, details of which are to be found both in this manual and on the product itself.



Importer:
SUMEC UK
UNIT A&B ESCRICK BUSINESS PARK
ESCRICK, YORK, YO19 6FD, UK

Email: support@coreservice.co.uk

AFTER SALES SUPPORT



GB 01904 727 506

IRE 0124 75150



www.coreservice.co.uk

MODEL: GL3.6GS

05/2017

68942

3

YEARS WARRANTY