



User Manual

Spend a little Live a lot



38CM Push Mower

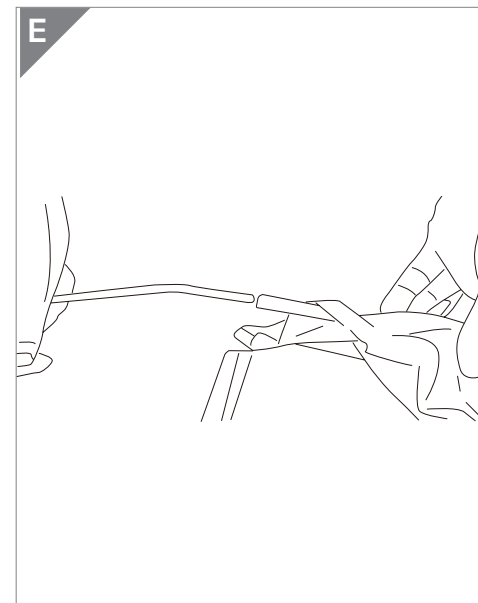
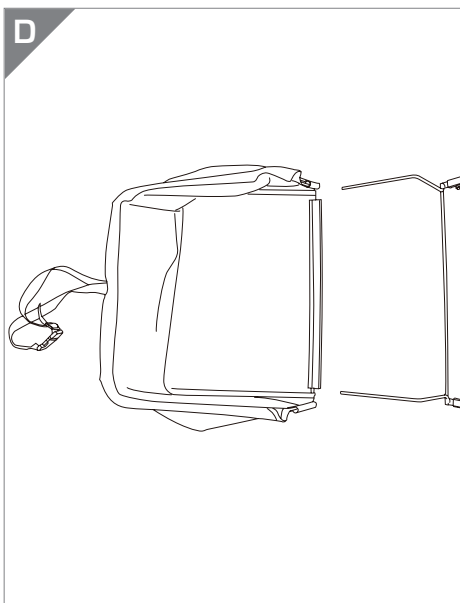
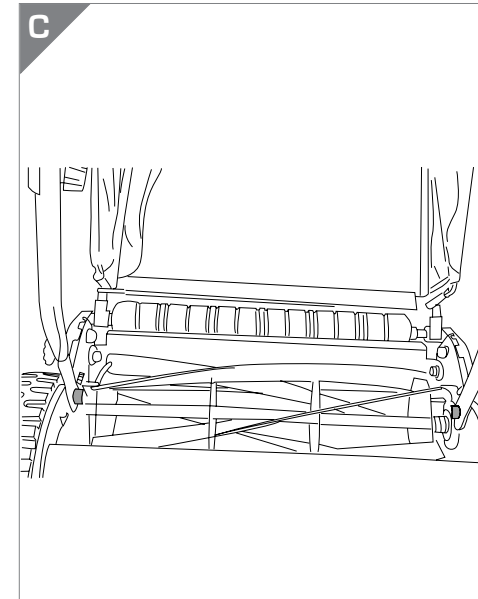
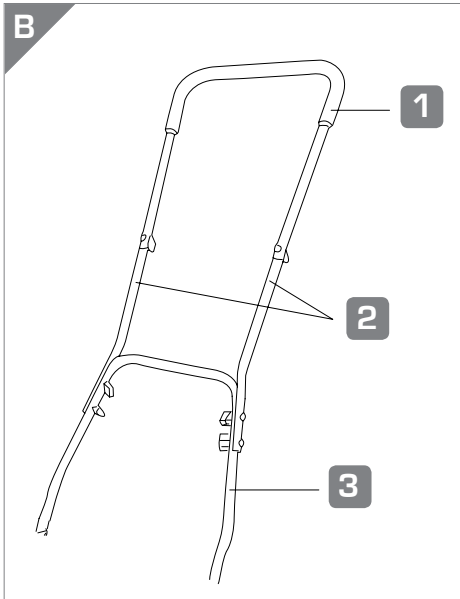
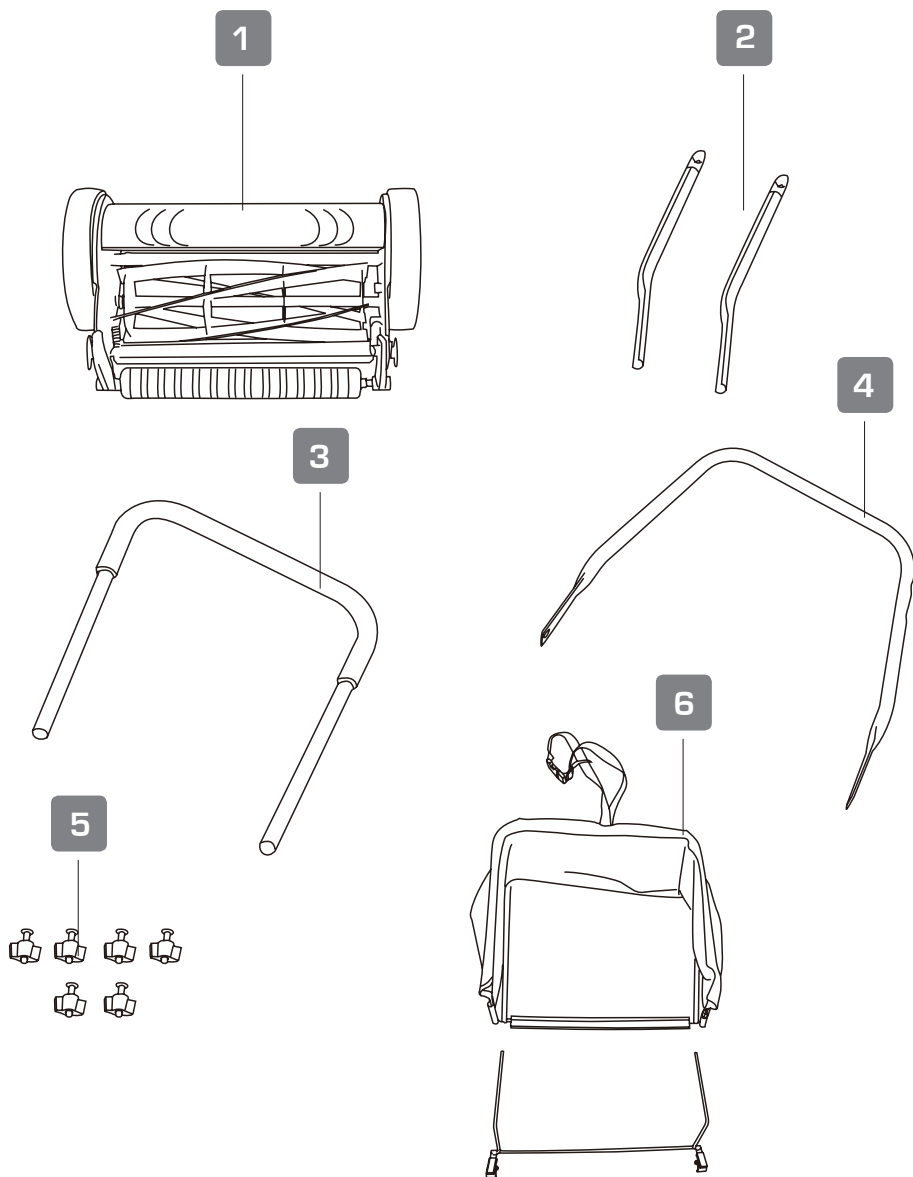
GLHPM38

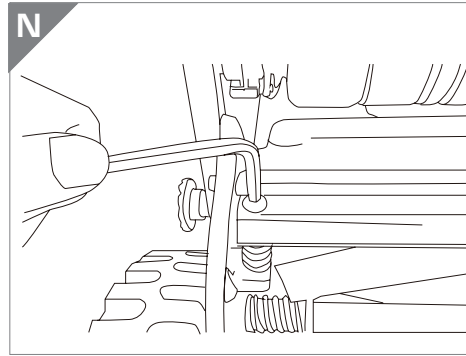
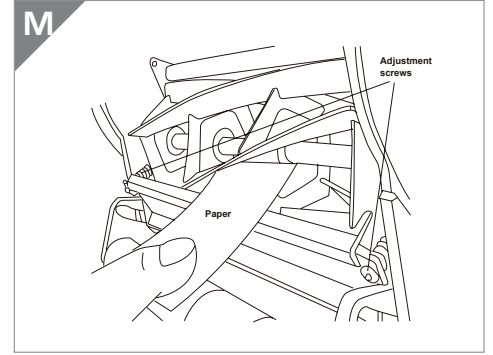
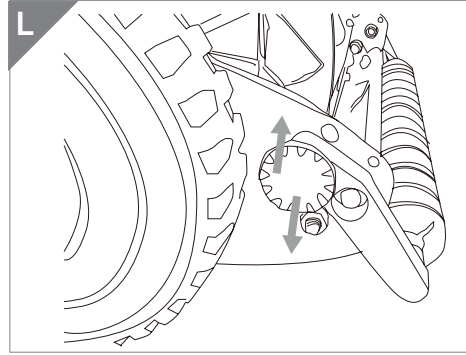
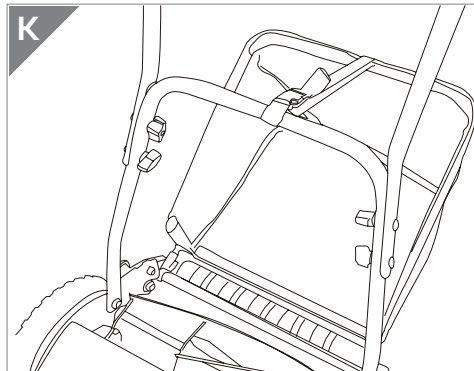
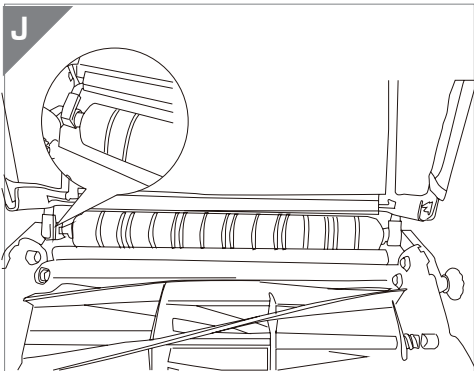
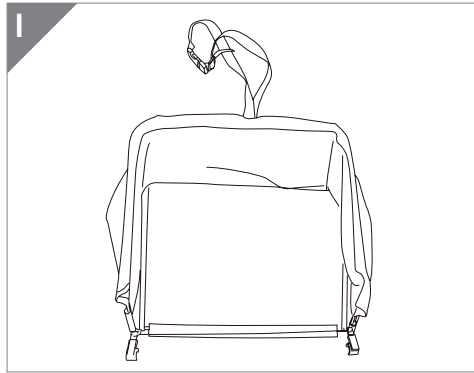
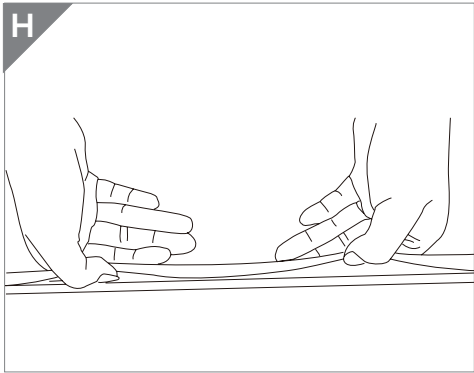
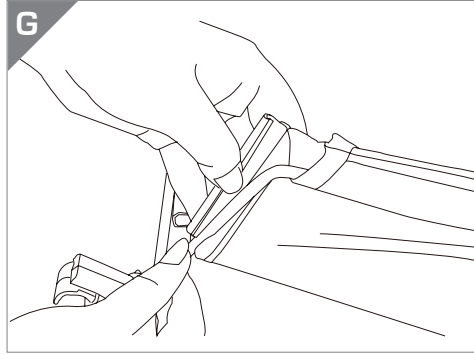
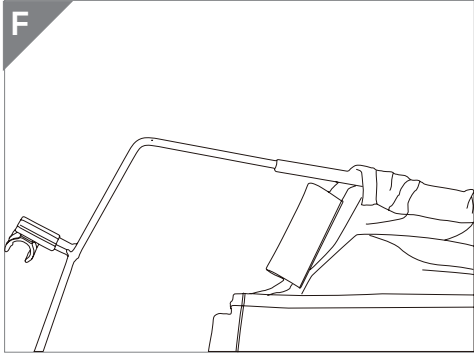


Contents

- Product images and parts list6**
- General information.....7**
 - Reading and storing the instruction manual.....7
 - Explanation of symbols.....7
- Safety9**
 - Proper use.....9
 - Safety notes10
- Checking the push mower and product contents13**
- Assembly13**
 - Mounting the handlebar13
 - Mounting the collector bag17
- Operation14**
 - Adjusting the height14
- Maintenance Tips15**
- Cleaning18**
- Troubleshooting.....26**
- Storage27**
- Disposal.....20**
- Technical data.....21**
- Warranty**
 - Warranty Card
 - Warranty Conditions

A





- 1 Mower body
- 2 Mid handle, 2x
- 3 Upper handle with foam grip
- 4 Lower handle
- 5 Handle carriage bolts, 6x
- 6 Grass collection box

Reading and storing the instruction manual



This instruction manual accompanies this push mower. It contains important information on start-up and handling. Before using the push mower, read the instruction manual carefully. This particularly applies for the safety notes. Failure to heed this instruction manual may result in severe injury or damage to the push mower. The instruction manual is based on the standards and rules in force in the European Union. When abroad, you must also observe country-specific guidelines and laws! Store the instruction manual for future use. If you pass the push mower on to third parties, please be absolutely sure to include this instruction manual.

You can request an electronic version of these instructions from our customer service.

Explanation of symbols

The following symbols and signal words are used in this instruction manual, on the push mower or on the packaging.



WARNING! This signal word designates a hazard with moderate degree of risk which may lead to death or severe injury if not avoided.

AFTER SALES SUPPORT



CAUTION! This signal word designates a hazard with low risk that, if not avoided, may result in minor or moderate injury.



NOTICE! This signal word warns of possible damage to property or provides you with useful additional information regarding assembly or operation.



Wear gloves for protection.



Read the instruction manual carefully. This particularly applies for the chapter on safety. Completely familiarise yourself with the control elements and proper use of the push mower.



Make sure that nearby persons maintain a safe distance. Flying parts could inflict serious injuries. Outsiders must maintain a safe distance. Flying objects could inflict severe injuries.

AFTER SALES SUPPORT





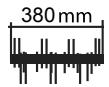
Caution-sharp cutting blade! Keep feet and hands away.



Caution! Slip on slope.



CAUTION! Risk of injury by rotating blade! Keep hands and feet away from the openings when operating the mower.



Pay attention to the sharp blades. Even after you stopped. The working width of the roller is approx. 380 mm.



The push mower is covered by a 36-month warranty.

Proper use

The push mower is only designed for cutting grass and similar soft vegetation. It is only intended for private use and is not suitable for commercial use.

Only use the push mower as described in this instruction manual. Any other use is deemed improper and may result in damage



to property or even personal injury. The push mower is not a children's toy.

The manufacturer or vendor accepts no liability for damage caused by improper or incorrect use.

Safety notes



WARNING!

DO NOT TOUCH THE ROTATING BLADES.

- This machine can cause serious injuries. Read the instruction carefully for the correct handling, preparation, maintenance, starting and stopping of the appliance. Be familiar with the controls and the proper use of the appliance. Read and understand the operator's manual and observe the warnings and instruction labels affixed to the appliance.
- Users. Never allow children or people unfamiliar with these instructions to use the appliance. Never operate the tool under the influence of alcohol, medication or drugs.
- Use appropriate tools. This product is intended for private use only, not for any commercial applications. It may not be used for any purposes other than those described.





WARNING!
WORK AREA SAFETY

- Keep work areas clean. Cluttered areas can cause accidents.
- Keep all bystanders, children, and pets at least 15M feet away. The operator or user is responsible for accidents or hazards occurring to other people or the property.



WARNING!
PERSONAL SAFETY

- Use personal protective equipment(PPE). Always wear eye protection. Protective equipment such as dust mask, non-skid safety shoes or gloves used for appropriate conditions will reduce personal injuries.
- Dress appropriately. Do not wear loose clothing or jewellery as these can be caught in moving parts. Preferably wear nonslip footwear when working outdoors. Tight back long hair to keep it away from the machine.
- Stay alert, watch what you are doing and use common sense when operating the tool. A moment of lapsed concentration while operating the tool may result in serious personal injury.
- Keep all parts of the body away from the cutter blade. Do not remove cut material or hold material to be cut when blades are moving. Make sure the blade is stopped when clearing jammed material. A moment of inattention while operating the tool may result In serious personal injury.



WARNING!
OPERATION SAFETY

- Do not overreach. Keep proper footing and balance at all times. This enables better control of the tool in unexpected situations.

Be certain the parts are fully tightened before operating the tool. Check it periodically for tightness during use to avoid serious injury.

- Check for damaged parts. Before every use, carefully check the tool for damage. Check for alignment of moving parts, binding of moving parts, breakage of parts, mounting and any other condition that may affect its operation.
- Do not use the tool if any parts are damaged or defective. Have any damaged or defective parts repaired or replaced by an authorized service agent. Never attempt any repairs yourself.
- Grip the tool securely with both hands on the main handle while operating the tool.
- Never operate the mower in wet grass. Always be sure of your footing. A slip and fall can cause serious personal injury.
- Mow only in daylight or good artificial light. Walk , never run.
- Be careful when pulling the machine backward. Look down and behind to avoid tripping. Be sure you are well balanced with sure footing.
- Risk of cut. The cutting blade may continue to rotate for a few seconds after the mower has stopped moving. Never place any



part of the body in the blade area until you are sure the blade has stopped rotating.

- Operation on slopes requires extra caution. Slopes are a major factor related to slip and fall accidents, which can result in severe injury. If you feel uneasy on a slope, do not mow it. If the slope is greater than 15 degrees, do not mow it.
- Mow across the face of slopes ; never up and down. Exercise caution when changing direction on slopes.
- Watch for holes, ruts, rocks, hidden objects or bumps which can cause you to slip or trip. Tall grass can hide obstacles.

Checking the push mower and product contents



NOTICE! RISK OF DAMAGE!

Take care with sharp knife or pointed objects, not to damage the product when opening the packaging.

1. Take the push mower out of the packaging and check whether the push mower or the individual parts exhibit damages. If this is the case, do not use the push mower. Contact the after sales support.
2. Check to make sure that all parts are in the box (Fig A).



Assembly

Mounting the handlebar

1. Secure the upper handle **1** to the mid handles **2** with two carriage bolts and two wing nuts (Fig B) .
2. Secure the handle assembled in step 1 to the lower handle **3** with four carriage bolts and four wing nuts (Fig B).
3. Position the complete handle assembly over the studs on the rear of mower (Fig C).

You have successfully mounted the handlebar.

Mounting the collector bag

1. Assemble the collection box. The grass collection box need to be assembled before use (Fig D~K).

You have successfully mounted the push mower.

Operation



WARNING! RISK OF INJURY!

The push mower uses a rotating roller with sharp blades. If used incautiously, you could injure yourself or other persons.



Ensure that the lawn is clear of stones, sticks, wire or other objects which could damage mower or user. The operation of mower can result in foreign objects being thrown into the eyes, which can damage your eyes severely. Always wear safety glasses while operating the mower.

Adjusting the height

Depending on the length of grass you are cutting you may want to adjust the cutting height of the lawnmower. This can be done by raising or lowering the cutting height roller.

To adjust the cutting height, pull the cutting height adjustment knobs on both sides away from the mower body, and then move them forward or backward to adjust the cutting height (Fig L). Make sure the knobs are in the same height on both sides.

Mowing

1. Do not cut wet grass because it tends to stick to the underbody of the product, preventing the proper grass collection and it could also cause you to slip and fall.
2. Never cut off more than one-third of the total length of the grass for a healthy lawn. In the autumn, lawns should only be cut as long as there is growth.



3. Slowly push the product forward.
4. Mow in slightly overlapping rows. The most effective pattern for mowing lawns is straight lines. This will keep the rows even and ensures that all the lawn is cut without missing any spots.
5. Circle around flower beds. When reaching a flower bed in the middle of the lawn, cut a row or two around the circumference of the bed.
6. Pay special attention when changing direction.

Cleaning



NOTICE! **RISK OF DAMAGE!**

Improper handling of the push mower may result in damage. Using an unsuitable cleaner could damage the surface of the push mower.

– Do not use any aggressive cleaners, brushes with metal or nylon bristles, sharp or metallic cleaning utensils such as knives, hard scrapers and the like.

1. Clean the push mower with a damp cloth to remove all sap, water and dirt.
2. Then let all parts dry completely.



Maintenance Tips:

- Push mowers are relatively low maintenance. For consistent cutting follow the below instructions.
- Always keep the cutting bar properly adjusted. Refer to the instruction manual for further directions.
- Regularly clean and lubricate the cutting edges with light spray oil.

IMPORTANT:

Push mowers have difficulty cutting tall weeds such as dandelions which may cause the weeds to bend



WARNING!

Only perform the steps described within these instructions! All further inspection, maintenance and repair work must be performed by an authorised service centre or a similarly qualified specialist if you cannot solve the problem yourself!



Cleaning



WARNING!

Mower blades are sharp. Wear gloves and use extra caution when servicing them. Any wheel rotation can cause the blade to rotate.

Do not over-tighten adjustment screws as this could damage the cutting bar. Screws must be tight on final adjustment.

The blade is adjusted for proper clearance from the cutting bar at the factory. However, after extended periods of mowing or as part of annual maintenance, it is recommended that the blade clearance be readjusted .

- If blade clearance is too wide the cutting pattern will be rough and uneven.
- If blade clearance is too narrow, the machine will be noisy and difficult to push while operating.



Troubleshooting

Suspected malfunctions are often due to causes that the user can fix themselves. Therefore check the product using this section. In most cases the problem can be solved quickly.

FAULT POSSIBLE	CAUSES	TROUBLESHOOTING
Unsatisfying cutting result	Blade clearance is too wide	Adjust the blade clearance, refer to maintenance section
Machine is too noisy and difficult to operate	Blade clearance is too narrow	Adjust the blade clearance, refer to maintenance section

Storage



WARNING:

Do not place hands in the mower near blades. If grass cuttings are compacted in the blade area, remove using a wood or plastic cleaning tool appropriate for the cleaning of the blades.

1. Clean the exterior of the machine thoroughly using a soft brush and cloth before storing. Do not use water, solvents or polishes.

AFTER SALES SUPPORT



2. Turn the mower on its side to clean the blade area.
3. Store the mower in a dry place. Do not place other objects on top of the mower during storage.

Disposal

Disposing of the packaging



Dispose of the packaging separated into single type materials. Dispose of cardboard and carton as waste paper and foils via the recyclable material collection service.

Disposing of old devices

(Applicable in the European Union and other European states with systems for the separate collection of reusable waste materials)



Old devices must not be disposed of with household waste!

If the push mower can no longer be used, every user is required by law to dispose of old devices separately from their household waste, e.g. at a collection point in his community/borough. This ensures that old devices are recycled in a professional manner and also rules out negative consequences for the environment.

AFTER SALES SUPPORT



Technical Data

Cutting width :	38cm
Variable cutting heights :	15-38mm
Grass collection bag Volume :	28l grass collection bag
Net Weight :	7.8kg
Contact free blade	





WARRANTY CARD

38CM Push Mower GLHPM38

Your detail:

Name _____

Address _____

 _____ E-Mail _____

Date of purchase * _____

* We recommend you keep the receipt with this warranty card.

Location of purchase _____

Description of malfunction :



Return your completed warranty card together with the faulty product to:

Unit A&B
Escrick Business Park
Escrick
York
YO19 6FD

Email: support@coreservice.co.uk
Tel: 019022605

AFTER SALES SUPPORT

 GB +44 (0)1904 727501  www.coreservice.co.uk
IRE +353 (0)1 902 2605

MODEL: GLHPM38, 02/2016, 64011

Phone lines available
Mon - Fri : 9am - 5pm
Sat - Sun: 11am - 4pm.
Calls are charged at local rate,
mobiles may vary.



Warranty conditions

Dear Customer,

The **ALDI warranty** offers you extensive benefits compared to the statutory obligation arising from a warranty:

Warranty period: 3 years from date of purchase

Costs: Free repair/exchange or refund.
No transport costs.

Hotline: Support line charged at local rate

ADVICE:	Please contact our service hotline by phone, e-mail or fax before sending in the device. This allows us to provide support in the event of possible operator errors.
----------------	--

In order to make a claim under the warranty, please send us:

- Together with the faulty item the original receipt and the warranty card properly completed.
- The faulty product with all components included in the packaging.

The warranty does not cover damage cause by:

- **Accident or unanticipated events.** (e.g. lighting, water, fire)
- **Improper use** or **Transport.**
- **Disregard of the safety** and **maintenance instructions.**
- Other **improper treatment** or **modification.**

After the expiry of the warranty period, you still have the possibility to have your product repaired at your own expense. If the repair or the estimate of costs is not free of charge you will be informed accordingly in advance.

This does not affect your statutory rights.



Spend a little Live a lot

Great care has gone into the manufacture of this product and it should therefore provide you with years of good service when used properly. In the event of product failure within its intended use over the course of the first 3 years after date of purchase, we will remedy the problem as quickly as possible once it has been brought to our attention. In the unlikely event of such an occurrence, or if you require any information about the product, please contact us via our helpline support services, details of which are to be found both in this manual and on the product itself.



Importer:
SUMEC UK
UNIT A&B ESCRICK BUSINESS PARK
ESCRICK, YORK, YO19 6FD, UK

Email: support@coreservice.co.uk

AFTER SALES SUPPORT



GB +44 (0)1904 727501
IRE +353 (0)1 902 2605



www.coreservice.co.uk

MODEL: GLHPM38, 02/2016, 64011

3

YEARS WARRANTY