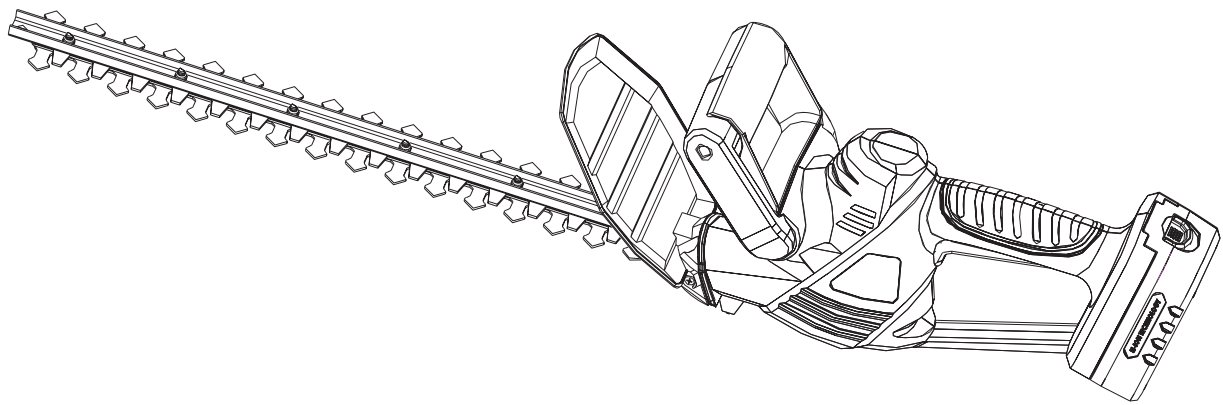


CHALLENGE

18V Li-ion Cordless Hedge Trimmer

Original Manual

M0E-12ET-410



challenge[®]

Important - Please read these instructions fully before starting assembly and using.

These instructions contain important information that will help you get the best from your hedge trimmer, ensuring it is assembled correctly and safely.

If you need help or have damaged or missing parts, call the Customer Helpline on 01904 727508 prior to returning product to store. SAN NO.: 0321/8007/75ZG

Contents

Introduction	3
Safety Information	3
Parts list.....	11
Assembly.....	12
Operation.....	15
Maintenance and Storage.....	17
Troubleshooting.....	18
Technical Data.....	19
Recycling and Disposal.....	20
Guarantee.....	21

Introduction

Thank you for purchasing a **CHALLENGE** hedge trimmer. We hope you are completely satisfied with your new product and hope you will enjoy using this tool for many years. Your M0E-12ET-410 Hedge Trimmer has been designed for trimming light foliage and is intended for domestic use only.

Intended Use

This Li-ion hedge trimmer M0E-12ET-410 is intended for trimming hedges, bushes and shrubs. Observe the technical data for the maximum cutting capacity. Do not cut nonplant material or branches exceeding the stated maximum capacity. For safety reasons it is essential to read the entire instruction manual before first operation and to observe all the instructions there in. This product is intended for private domestic use only, not for any commercial trade use. It must not be used for any purposes other than those described.

Safety Information

Important - Please read these instructions fully before starting assembly

General Power Tool Safety Warnings



Read all instructions. Failure to follow all instructions listed below may result in electric shock, fire and/or serious injury. The term “power tool” in all warnings listed below refers to your mains operated power tool.

- 1. Read the instruction carefully.** Be familiar with the controls and the correct use of the appliance. Read and understand the operator’s manual and observe the warnings and instruction labels affixed to the appliance.
- 2. Users.** Never allow children or people unfamiliar with these instructions to use the appliance. Local regulations may restrict the age of operator. Never operate the tool under the influence of alcohol, medication or drugs.
- 3. Use appropriate tool.** This device is only intended for trimming hedge outdoors and only designated for use on private property. Do not force small tools or attachments to do the job of a heavy duty tool.
- 4. Keep work areas clean.** Cluttered areas can cause accidents.
- 5. Consider work area environment.** Do not expose the tool to high humidity or rain. Do not use the tool in damp and wet conditions. Keep the work area well lit. Do not use the tool where there is a risk of causing fire or explosion, e.g. in the presence of flammable liquids and gases.
- 6. Keep all bystanders, children, and pets away.** The operator or user is responsible for accidents or hazards occurring to other people or the property.
- 7. Dress appropriately.** Do not wear loose clothing, hair or jewelry, as these can be caught in moving parts. Preferably wear non-slip footwear when working outdoors. Wear protective hair covering to keep long hair out of the way.



Safety Information

Important - Please read these instructions fully before starting assembly

General Power Tool Safety Warnings

- 8. Head protection.** Always use safety glasses and gloves. Use a face or dust mask whenever the operations may produce dust or flying particles. Wear ear protection whenever the sound level seems uncomfortable.
- 9. Do not overreach.** Keep proper footing and balance at all times.
- 10. Stay alert, watch what you are doing.** Use common sense when operating the appliance. Do not operate the tool when you are tired.
- 11. Grip the tool securely.** Operator should have one hand on the main handle, the other on the front handle. Keep finger off trigger until ready to use.
- 12. Remove adjusting keys and wrenches.** Always check that adjusting keys and wrenches are removed from the tool before operating the tool.
- 13. Risk of cut. Do not try to grasp or remove trimmings when the product is running.** Only remove trimmings when the product is switched off and disconnected from the power supply.
- 14. Disconnect the battery.** Disconnect battery from the tool when not in use or when servicing or cleaning.
- 15. Check for damaged parts.** Before further use, carefully check the tool for damage. Check for alignment of moving parts, binding of moving parts, breakage of parts, mounting and any other condition that may affect its operation. Do not use the tool if any parts are damaged or defective. Have any damaged or defective parts repaired or replaced by an authorized service agent. Never attempt any repairs yourself.
- 16. Store idle tools.** When not in use, tools should be stored in a dry, locked-up place out of reach of children.
- 17. Maintain tools with care.** Keep tools clean and in good condition for better and safer performance. Follow the instructions for maintenance and changing accessories. Keep handles and switches dry, clean and free from oil and grease.
- 18. Have your tool repaired by an authorized service agent.** This tool is manufactured in accordance with the relevant safety regulations. To avoid danger, electrical appliances must only be repaired by qualified technicians.

Safety Information

Additional safety instructions for batteries and chargers

Batteries



WARNING!

Do not use any attachments or accessories not recommended by the manufacturer of this tool. The use of attachments or accessories not recommended can result in serious personal injury.

1. Never attempt to open for any reason.
2. Do not expose to water.
3. Do not incinerate the battery pack even if it is severely damaged or is completely worn out. The battery pack can explode in a fire.
4. Do not store in locations where the temperature may exceed 40°C.
5. Do not leave the battery pack in the charger when the charging is finished, otherwise battery leakage may occur.
6. Charge only at room temperature.
7. Charge only by using the charger provided with the tool (see technical data).
8. Before charging, make sure that the battery is dry and clean.
9. Use only the correct type of battery for the tool (see technical data).
10. When dispose of batteries follow the instructions given in the section "protecting the environment".
11. Under extreme conditions, battery leakage may occur. When you notice liquid on the battery, proceed as follows:
 - Carefully wipe the liquid off using a cloth.
 - Avoid skin contact.
 - Dispose of battery in an environmental friendly way.
12. In case of skin or eye contact, follow the instructions below.
13. The battery fluid, a 25-30% solution of potassium hydroxide, can be harmful. In case of skin contact, immediately rinse with water. Neutralize with a mild acid such as lemon juice or vinegar. In case of eye contact, rinse abundantly with clean water for at least 10 minutes. Consult a physician.



14. Don't let any metal objects contact the electrode plate on battery pack.

NOTE: The batteries in your battery pack are the Lithium-Ion type. Do not dispose of battery packs/batteries into household waste, fire or water. Battery packs/batteries should be collected, recycled or disposed of in an environmental-friendly manner.

Safety Information

Chargers



1. Charger's plug must match the outlet. Never modify the plug in any way. Unmodified plug and matching outlets will reduce risk of electric shock.
2. Use your charger only to charge batteries of the type supplied with your tool. Other batteries could burst, causing personal injury and damage.
3. Only 2 battery packs are allowed to be charged continuously in order to prevent over heating of charger, necessary rest time is required to let the charger cool down before further charging.
4. When charging is finished, unplug the charger from mains socket outlet and takeaway the battery pack from the charger, do not leave the battery pack in the charger.
5. Never carry the charger by its cord or pull it to disconnect from the socket. Keep the cord away from heat, oil and sharp edges.
6. Never attempt to charge non-rechargeable batteries.
7. The cord of the charger is not changeable, do not continue to use if the cord is damaged.
8. Do not expose to water or rain, do not use in wet condition.
9. Do not open the charger.
10. Do not probe the charger.
11. Intended for indoor use only.

Additional safety instructions for hedge trimmers

1. **THIS TOOL CAN CAUSE SERIOUS INJURIES.** Read instructions carefully for the correct handling, preparation, maintenance, starting and stopping of the tool. Be familiar with all controls and proper use of the tool.
2. Only use the tool in daylight or good artificial light.
3. Never allow children to use the tool.
4. Beware of overhead power lines.
5. Avoid operating while people, especially children are nearby.
6. Dress properly! Do not wear loose clothing or jewellery which can be caught in moving parts. Use of sturdy gloves, non-skid footwear, and safety glasses is recommended.
7. If the tool stalls, immediately switch it off. Remove the battery before attempting to remove any obstructions.
8. Remove the battery before checking, maintenance or working on the tool.
9. While operating the tool always be sure of a safe and secure operating



Safety Information

Additional safety instructions for hedge trimmers

position especially when using steps or a ladder.

10. Do not attempt to repair the tool.
11. Do not operate the tool with a damaged or excessively worn cutting device.
12. Always wear ear protection, goggles and helmet during operating.
13. Always ensure that all guards are fitted when using the tool. Never attempt to use an incomplete tool or a tool with unauthorized modifications.
14. Always use two hands to operate the tool.
15. When transporting or storing the tool, always fit the blade sheath.
16. Always be aware of your surroundings and stay alert for possible hazards that you may not hear due to the noise of the tool.
17. Do not carry the tool with your hands on the switch unless the battery has been removed.
18. If you have not used a hedge trimmer before, preferably seek practical instruction by an experienced user in addition to studying this manual.
19. Never touch the blades while the tool is running.
20. Never attempt to force the blades to come to a standstill.
21. Do not put the tool down until the blade has come to a complete standstill.
22. Regularly check the blades for damage and wear. Do not use the machine when the blades are damaged.
23. Take care to avoid hard objects (e.g. metal wire, railings) when trimming. Should you accidentally hit any such object, immediately switch the tool off and check for any damage.
24. Should the tool start to vibrate abnormally, immediately switch it off and check for any damage.
25. Always be aware of falling debris when cutting the higher sides of a hedge.
26. Be aware of the cutting blade; always wear gloves to protect your hands from cut.



NOTE: Do not switch the hedge trimmer on and off frequently over a short period of time, and in particular do not play with the ON/OFF switch

Safety Information

Emergency

Familiarize yourself with the use of this product by means of this instruction manual. Memorize the safety directions and follow them to the letter. This will help to prevent risks and hazards.

1. Always be alert when using this product, so that you can recognize and handle risks early. Fast intervention can prevent serious injury and damage to property.
2. Switch off and disconnect from the power supply if there is any malfunction. Have the product checked by a qualified specialist and repaired, if necessary, before you put it into operation again.

Residual risks

Even if you are operating this product in accordance with all the safety requirements, potential risks of injury and damage remain. The following dangers can arise in connection with the structure and design of this product:

1. Health defects resulting from vibration emission if the product is being used over long periods of time or not adequately managed and properly maintained.
2. Injuries and damage to property due to broken application tools or the sudden impact of hidden objects during use.
3. Danger of injury and property damage caused by flying objects.



WARNING! This product produces an electromagnetic field during operation! This field may under some circumstances interfere with active or passive medical implants! To reduce the risk of serious or fatal injury, we recommend persons with medical implants to consult their doctor and the medical implant manufacturer before operating this product.



Important - Please read these instructions fully before operation or maintenance

Warning Symbols on machine



Warning!



Conform to all relevant safety standards.



Read the instruction manual before use.



Wear eye protection.



Wear ear protection.



Wear dust mask.



Keep fingers away from moving cutting device!



Keep bystanders away.



Disconnect the battery pack from the tool before maintenance.



Do not expose to rain.



Guaranteed Sound power level data (94dB) in accordance with Directive 2000/14/EC

Safety Information

Warning Symbols

Warning symbols on the charger



Before use, carefully read through the user manual.



The charger is for indoor use only.



Protection class II.



Pole orientation.



Waste electrical products should not be disposed of with household waste. Please recycle where facilities exist. Check with your Local Authority or retailer for recycling advice.

Warning Symbols on the Battery



Do not dispose of batteries in rivers or immerse in water.



Do not subject the battery to strong sunlight over long periods and do not leave it on a heater (max.45°C).



Do not dispose of batteries in a fire. They will explode and cause injury.



Contain Li-ion battery. Battery must be recycled or disposed of properly.

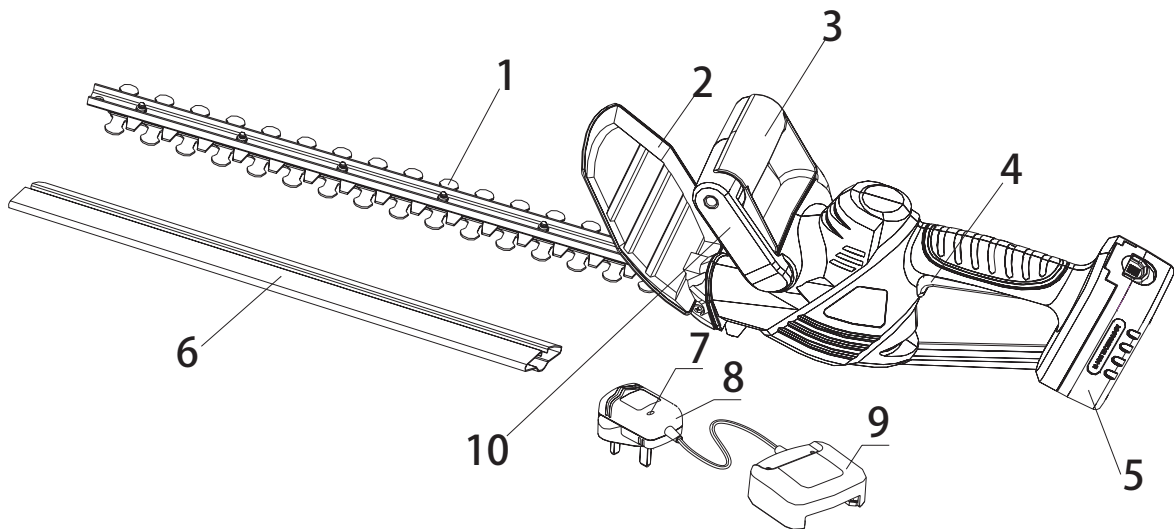


Do not dispose of batteries. Return exhausted batteries to your local collection or recycling point.

Parts list

Parts description

- | | | |
|--------------------------|----------------|--------------------|
| ① Blades | ② Guard | ③ Safety Switch |
| ④ Trigger | ⑤ Battery Pack | ⑥ Blade Sheath |
| ⑦ LED Charging Indicator | ⑧ Charger | ⑨ Charging Station |
| ⑩ Front Handle | | |



Assembly

Preparing to assemble the hedge trimmer



NOTE: Before using the tool, read the instruction book carefully.

Charging the battery



WARNING!

The charger and battery pack are specifically designed to work together so do not attempt to use any other devices. Never insert or allow metallic objects into your charger or battery pack connections because an electrical failure and hazard will occur.

The battery needs to be charged before first use and whenever it fails to produce sufficient power on jobs that were easily done before.

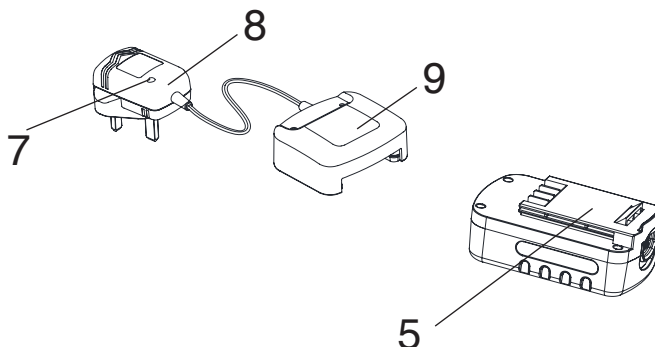


WARNING! NEVER LEAVE THE BATTERY AND CHARGER UNATTENDED WHEN CHARGING THE BATTERY.

This product comes with a lithium ion battery pack. Lithium Ion batteries don't lose charge when not in use, and don't lose charging capacity overtime. Never the less it is best practice to charge the battery when empty or insufficient to do the job.

Charging procedure

- 1) Connect the charger (8) to the charging station (9) .
 - 2) Plug the charger into an appropriate AC power outlet. The LED (7) lights green to tell you that the charger is ready for use.
 - 3) Slide the charging station (9) into the battery pack (5), make sure the charging station is fully seated in the battery pack. The LED (7) lights up red to tell you that the battery pack is on charge.
- Attention!** The battery cannot be charged immediately after use, it should cool off for a period of time. The LED (7) lights switching from green to red means it can be charged.
- 4) The battery pack will be fully charged in 3~5 hours. And the LED (7) lights up green again to tell you that the battery pack is fully charged.



Assembly

Charging procedure

Important charging notes

Longest life and best performance can be obtained if the battery pack is charged when the air temperature is between 18-24°C. Do not charge the battery pack in a very low or very high air temperature. This is important and will prevent serious damage to the battery pack.

1. When using your tool continuously, the batteries in your battery pack will become hot. You should let a hot battery pack cool down for approximately 30 minutes before attempting to recharge.
2. The charger and battery pack may become warm to touch while charging. This is a normal condition, and does not indicate a problem.
3. Use the charger in normal room temperatures whenever possible. To prevent overheating, do not cover the charger and do not charge battery packs in direct sunlight or near heat sources.
4. If the battery pack does not charge properly;
 - (1). Check the main socket by plugging in a lamp or other appliance.
 - (2). Move the charger and battery pack to a location where the surrounding air temperature is approximately 18-24°C.
 - (3). If charging problems persist, take or send the tool, battery pack and charger to your local service center.
5. The battery pack should be recharged when it fails to produce sufficient power on jobs which were easily done previously. **DO NOT CONTINUE** to use under these conditions. Follow the charging procedure. You may also charge a partially used pack whenever you desire with no adverse effect on the battery pack.
6. Under certain conditions, with the charger plugged in to the power supply, the exposed charging contacts inside the charger can be shorted by foreign material. Foreign materials of a conductive nature such as, but no limited to, steel wool, aluminum foil, or any buildup of metallic particles should be kept away from charger cavities. Always unplug the charger from the power supply when there is no battery pack in the cavity. Unplug charger before attempting to clean.
7. Do not immerse charger in water or any other liquid.



WARNING!

Don't allow any liquid to get inside charger. Electric shock may result. To facilitate the cooling of the battery pack after use, avoid placing the charger or battery pack in a warm environment such as in a metal shed, or an un-insulated trailer.



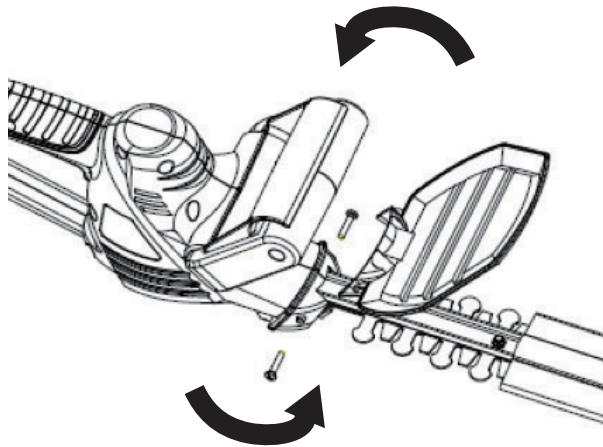
CAUTION!

Never attempt to open the battery pack for any reason. If the plastic housing of the battery pack breaks or cracks, return to a service center for recycling; do not put it into further use.

Assembly

Install the guard

Place the guard into position and secure it with two screws at both sides.



Remove or install the battery pack

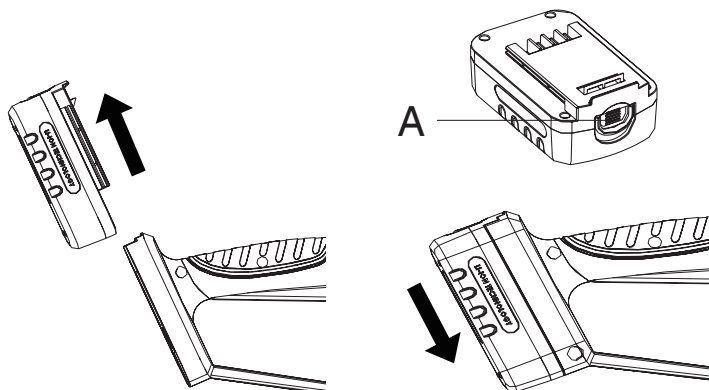


Warning!

Always release the On/Off switch before insertion or removal of the battery pack.

Remove the battery pack. Depress the button (A) on end of the battery pack, and then remove the pack from the tool.

Install the battery pack. Align the ribs on both side of the battery pack with the slots in the housing and slide it into place. Always insert it all the way until it locks in place with a clicking sound. If not, it may accidentally fall out of the tool, causing injury to you or someone around you.



Operation

Switch on/ off



WARNING!

If any parts are missing, damaged or broken, do not operate your hedge trimmer until all damaged parts have been replaced or repaired. Failure to do so could result in serious personal injury.

For your safety, this tool is equipped with a dual safety switch system. This system prevents starting the tool inadvertently and will only allow operation while holding the tool with both hands.

Switching on

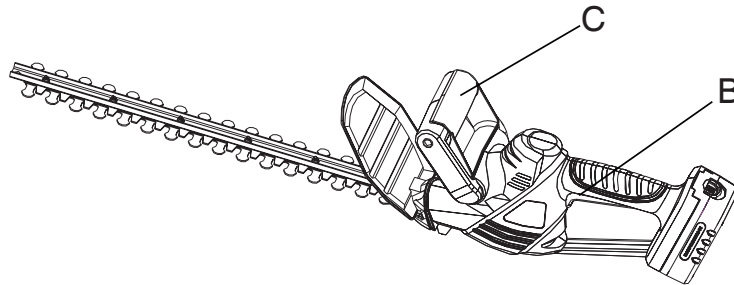
Hold the product with one hand at the rear handle and with the other at the front handle.

Press the trigger (B) and the front handle safety switch (C) at the same time to switch the product on.

Switching off

Release the front handle safety switch (C) or the trigger (B).

Never attempt to lock the dual safety switch system in the on position.



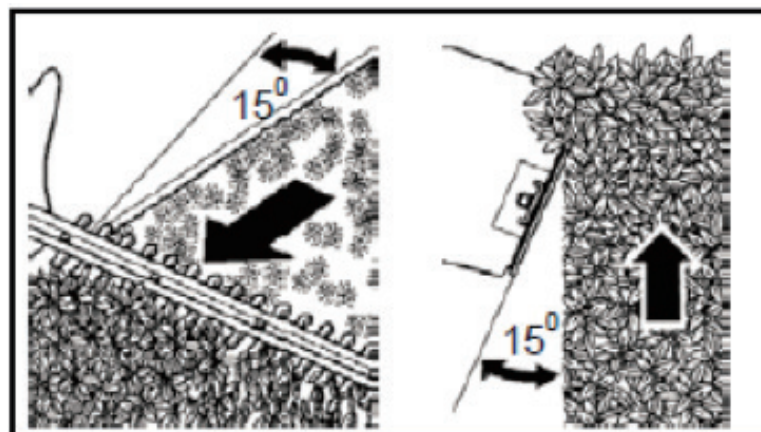
Using the hedge trimmer



WARNING!

Before using this hedge trimmer, make sure that you have read all of the safety instructions.

1. When trimming, the blade should be tilted towards the hedge. Always trim from the bottom upwards.
2. Trim the sides of the hedge first and then trim the top.



Operation

Using the hedge trimmer

3. If the branches are very long, they should be cut back in several stages, not exceeding the max diameter of the tooth gap of 14mm.
4. Make sure that there are no hard objects in the hedge, such as railings, that could damage the blade.
5. If the blade becomes jammed, switch off and disconnect from the battery before clearing the obstruction.
6. Do not force the hedge trimmer to cut oversized branches. These should be cut by hand using secateurs or shears.

Cutting guide

Seasonal hedges and shrubs that lose their leaves in the winter should be trimmed in June and October.

Evergreen hedges and shrubs that retain their leaves in the winter should be trimmed in April and August.

Conifers and other fast growing shrubs can be trimmed every six weeks from May onwards, throughout the growing season.

Maintenance and Storage

Maintenance



WARNING!

Before any maintenance, always take off the battery pack and wear protection gloves.

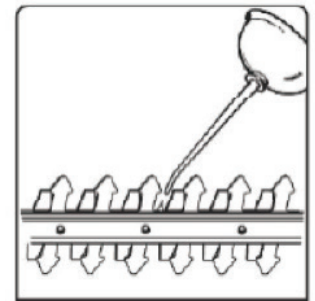
Lubrication of the blade

For easier operation and longer life, lubricate the cutting blades before and after each use.

Before lubricating, make sure your hedge trimmer is disconnected from the battery.

A few drops of oil of sewing machine oil or WD40 will improve the cutting performance of the blades and running time of your machine.

Never apply grease to the blades!



Clean



WARNING!

Before commencing these cleaning procedures or when clearing a blockage, make sure that the hedge trimmer is switched off and disconnected from the battery.

To ensure the best performance from the hedge trimmer, it must be kept clean.

Always clean the hedge trimmer immediately after use.

Never use water for cleaning your hedge trimmer, but use a soft damp cloth. Do not clean with chemicals, including petrol, or solvents as this can damage your hedge trimmer.

Do not allow cuttings and other debris to become dry and hard on any of the hedge trimmer surfaces. This will directly affect the cutting performance.

Make sure that the blade is kept clean of all cuttings and other debris.

Take extra care to clean the cooling vents.

Storage

Make sure that the hedge trimmer has been thoroughly cleaned before storing it in a clean dry place out of the reach of children.

Always fit the transportation blade guard when storing the hedge trimmer.

Troubleshooting

Troubleshooting

Although your new cordless hedge trimmer is really easy to operate, if you do experience problems, check the following:

If trimmer will not operate

Check battery pack assembly;

Charge the battery: operation of the hedge trimmer is dependent upon sufficient charge in the battery pack.

If the battery will not charge

Check to see if the battery is properly inserted into the charging station, and make sure the indicator light is on. If not, check the power supply to the socket.

If the trimmer is not cutting properly

Check the condition of the blades; if the blade is blunt or damaged have them repaired by a qualified service agent.

If a fault is suspected return the trimmer to an authorized dealer to repair.

Technical data

Technical Data Table

Model	M0E-12ET-410
Voltage	18VDC
Battery type	Lithium-Ion
No load speed	1200/min
Cutting length/tooth gap	410mm/14mm
Battery pack	
Model	ET-D1806
Battery type	Lithium-Ion
Battery capacity	1.5Ah
Charging time	Approx. 4 Hours
Charger	
Model	JLH122100400B
Rated Voltage	100-240VAC 50-60Hz
Nominal Consumption	15W
Output Voltage of Charger	21V DC
Output Current of Charger	400mA
Protection Category	IPX0

Noise and vibration data

A weighted sound pressure 79.6dB (A) KPA: 3dB (A)

A weighted sound power 85.94dB (A) KWA:3dB (A)

Guaranteed sound power level: 94dB (A)

Vibration level of handle ah: 3.5 m/s²

Uncertainty K: 1.5 m/s²

The sound values have been determined according to noise test code given in EN 60745-2-15, using the basic standards EN ISO 11094 and EN ISO 3744.

The noise figures quoted are emission levels and are not necessarily safe working levels. Factors that influence the actual level of exposure of work-force include the characteristics of the work room, the other sources of noise, etc. i.e. the number of machines and other adjacent processes, and the length of time for which an operator is exposed to the noise. Also the permissible exposure level can vary from country. This information, however, will enable the user of the machine to make a better evaluation of the hazard and risk.

Wear hearing protection! The sound intensity level for the operator may exceed 80dB (A) and ear protection measures are necessary!

Technical data

Noise and vibration data

The declared vibration value has been measured in accordance with a standard test method (according to EN 60745-1) and may be used for comparing one product with another. The declared vibration value may also be used in a preliminary assessment of exposure.

This tool may cause hand-arm vibration syndrome if its use is not adequately managed.



WARNING!

Depending on the actual use of the product the vibration values can differ from the declared total! Adopt proper measures to protect yourself against vibration exposures! Take the whole work process including times the product is running under no load or switched off into consideration!

Proper measures include among others regular maintenance and care of the product and cutting attachments, keeping hands warm, periodical breaks and proper planning of work processes!

Recycling and Disposal

Disposal Instructions



Waste electrical products should not be disposed with household waste. Please recycle where facilities exist.



Check with your Local Authority or retailer for recycling advices.

Guarantee

Dear Customer,

In the unlikely event that your device develops a fault, please contact our Customer service department on the telephone number shown below.

1. These guarantee terms cover additional guarantee rights and do not affect your statutory warranty rights.

Claims must be accompanied by Proof of Purchase. This must be in the form of a Sales receipt or Bank statement and must show that the product has been purchased within 1 year prior to the claim, from the retailer that it was originally sold to.

2. Our guarantee covers problems caused by material or manufacturing defects, and will result in the repair of these defects or replacement of the device with a like for like or similar article. Please note that our devices have not been designed for use in commercial, trade or industrial applications. Consequently, the guarantee is invalidated if the equipment is used in commercial, trade or industrial applications or for other equivalent activities.

3. The following are also excluded from our guarantee:

A) Faults due to accidents, customer misuse, or unauthorized repairs

B) Consumable Parts such as blade

C) Failure due to lack of routine maintenance

D) Failure as a result of not using the equipment in accordance with the manual and safety instructions

4. The guarantee is valid for a period of 1 year starting from the purchase date of the device. Guarantee claims should be submitted before the end of the guarantee period within two weeks of the defect being noticed. No guarantee claims will be accepted after the end of the guarantee period. The original guarantee period remains applicable to the device even if repairs are carried out or parts are replaced. In such cases, the work performed or parts fitted will not result in an extension of the guarantee period, and no new guarantee will become active for the work performed or parts fitted. This also applies when an on-site Service is used.

5. Please keep your sales receipt in a safe place. If the defect is covered by our guarantee your device will either be repaired under the terms of guarantee or we will send you a replacement device. This device may be re-conditioned or Like for like replacement.