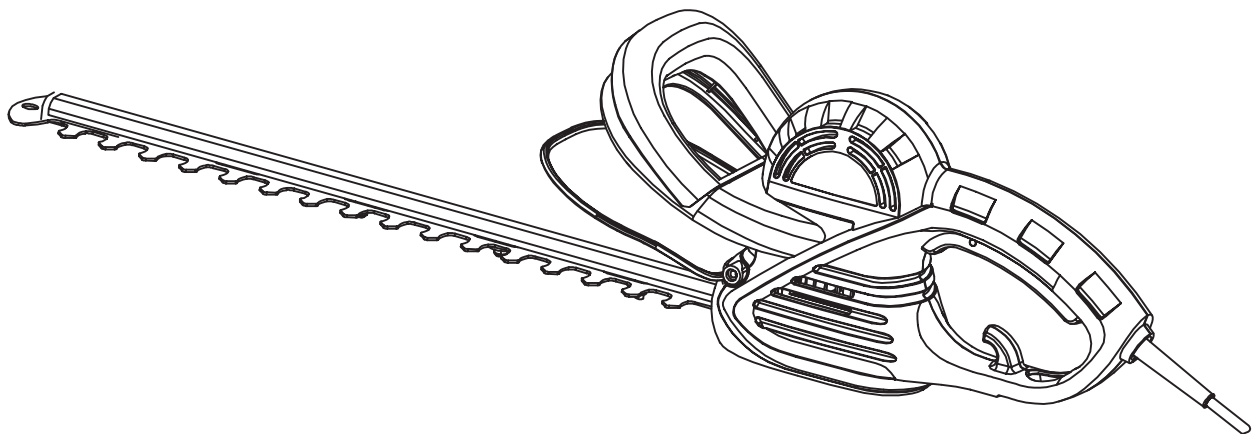


CHALLENGE

550W hedge trimmer

Original Manual

HTEG33-550



challenge[®]

Important - Please read these instructions fully before starting assembly and using.

These instructions contain important information that will help you get the best from your hedge trimmer, ensuring it is assembled correctly and safely.

If you need help or have damaged or missing parts, call the Customer Helpline on 01904 727508 prior to returning product to store.

Contents

Introduction	3
Safety Information	3
Parts list.....	8
Assembly.....	10
Operation	11
Maintenance and Storage.....	13
Troubleshooting.....	14
Technical Data.....	15
Recycling and Disposal.....	16
Guarantee.....	17

Introduction

Introduction

Thank you for purchasing a CHALLENGE hedge trimmer.

We would you like to be completely satisfied with your new product and hope you will enjoy using this tool for many years.

Your CHALLENGE hedge trimmer has been designed for trimming light foliage and is intend for DIY use only.

The device is not allowed to be used in public gardens, parks, sports centers or at roadsides as well as agriculture and forestry.

Safety Information

Important - Please read these instructions fully before starting assembly

General Power Tool Safety Warnings



Read all instructions. Failure to follow all instructions listed below may result in electric shock, fire and/or serious injury. The term “power tool” in all warnings listed below refers to your mains operated power tool.

- 1. Read the instruction carefully.** Be familiar with the controls and the proper use of the appliance. Read and understand the operator’s manual and observe the warnings and instruction labels affixed to the appliance.
- 2. Users.** Never allow children or people unfamiliar with these instructions to use the appliance. Local regulations may restrict the age of operator. Never operate the tool under the influence of alcohol, medication or drugs.
- 3. Use appropriate tool.** This device is only intended for cutting grass and soft vegetation outdoors and only designated for use on private property. Do not force small tools or attachments to do the job of a heavy duty tool.
- 4. Keep work areas clean.** Cluttered areas can cause accidents.
- 5. Consider work area environment.** Do not expose your tool to high humidity or rain. Do not use your tool in damp and wet conditions.


Keep the work area well lit. Do not use your tool where there is a risk of causing fire or explosion, e.g. in the presence of flammable liquids and gases.
- 6. Keep all bystanders, children, and pets away.** The operator or user is responsible for accidents or hazards occurring to other people or the property.
- 7. Dress appropriately.** Do not wear loose clothing or jewelry, as these can be caught in moving parts. Preferably wear non-slip footwear when working outdoors. Wear protective hair covering to keep long hair out of the way.
- 8. Head protection.** Always use safety glasses and gloves. Use a face or dust mask whenever the operations may produce dust or flying particles. Wear ear protection whenever the sound level seems uncomfortable.



Safety Information

Important - Please read these instructions fully before starting assembly

General Power Tool Safety Warnings

9. **Do not overreach.** Keep proper footing and balance at all times.
10. **Stay alert, watch what you are doing.** Use common sense when operating the appliance. Do not operate the tool when you are tired.
11. **Grip the tool securely.** Operator should one hand on the main handle, the other on the front handle. Keep finger off trigger until ready to use.
12. **Remove adjusting keys and wrenches.** Always check that adjusting keys and wrenches are removed from the tool before operating the tool.
13. **Risk of cut.** Do not touch or try to stop the cutting lines when they are moving.
14. **Disconnect the plug.** Disconnect plug from the tool when not in use or when servicing or cleaning.
15. **Check for damaged parts.** Before further use, carefully check the tool for damage. Check for alignment of moving parts, binding of moving parts, breakage of parts, mounting and any other condition that may affect its operation. Do not use the tool if any parts are damaged or defective. Have any damaged or defective parts repaired or replaced by an authorized service agent. Never attempt any repairs yourself.
16. **Avoid unintentional starting.** Do not carry the tool without disconnect the plug and be sure the tool is switched off.
17. **Use an extension cord suitable for outdoor use when operating a power tool outdoors.** Use a cord suitable for outdoor use reduces the risk of electric shocks.
18. **If operating a power tool in a damp location is unavoidable, use a residual current device (RCD) protected supply.** Use of an RCD reduces the risk of electric shock.
-  19. **Store idle tools.** When not in use, tools should be stored in a dry, locked-up place out of reach of children.
20. **Maintain tools with care.** Keep tools clean and in good condition for better and safer performance. Follow the instructions for maintenance and changing accessories. Keep handles and switches dry, clean and free from oil and grease.
21. **Have your tool repaired by an authorized service agent.** This tool is manufactured in accordance with the relevant safety regulations. To avoid danger, electrical appliances must only be repaired by qualified technicians.

Safety Information

Important - Please read these instructions fully before starting assembly

Additional safety warnings for your hedge trimmer



WARNING!

Do not use any attachments or accessories not recommended by the manufacturer of this tool. The use of attachments or accessories not recommended can result in serious personal injury.

1. Keep all parts of the body away from the cutter blade. Do not remove cut material or hold material to be cut when blades are moving. Make sure the switch is off when clearing jammed material. A lapse of concentration while operating the hedge trimmer may result in serious personal injury.
2. Carry the hedge trimmer by the handle with the cutter blade stopped. When transporting or storing the hedge trimmer always fit the cutting device cover. Proper handling of the hedge trimmer will reduce possible personal injury from the cutter blades.
3. Keep cable away from cutting area. During operation the cable may be hidden in shrubs and can be accidentally cut by the blade.
4. Use the hedge trimmer only in daylight or good artificial light.
5. Know how to stop the hedge trimmer quickly in an emergency.
6. Never hold the hedge trimmer by the guard.
7. Never operate the hedge trimmer with damaged guards or without guard in place.
8. Remove the plug from mains before passing the hedge trimmer to another person.
9. Avoid operating while people especially children are nearby.
10. Whilst using the hedge trimmer always be sure of a safe and secure operating position.
11. Keep hands and feet away from the cutting blades at all times.
12. Do not use step ladders whilst operating the hedge trimmer
13. Remove the plug from the mains
 - before leaving the hedge trimmer unattended for any period
 - before cleaning a blockage
 - before checking, cleaning or working on the appliance
 - if you hit an object, do not use your hedge trimmer until you are sure that the entire hedge trimmer is in a safe operating condition
 - if the hedge trimmer starts to vibrate abnormally, check immediately
Excessive vibration can cause injury before passing to another person
14. Do not expose to rain. Do not operate your hedge trimmer on a wet hedge.

Safety Information

Important - Please read these instructions fully before operation or maintenance

Electrical safety

1. Always ensure the safety guard supplied is fitted before using the hedge trimmer.
2. Never attempt to use an incomplete machine or one fitted with an unauthorized modification
3. Check cutting blades regularly for damage, and if damaged repair immediately
4. Keep cable away from the cutting area and check the cable for damage before starting work
5. Do not start the hedge trimmer with the blade sheath fitted
6. Take care not to overload the hedge trimmer which it is not intended, i.e. you are allowed to use the hedge trimmer only to cut hedges shrubs and perennials
7. Always be sure of your footing when using steps and when using your hedge trimmer
8. Never run when using your hedge trimmer.
9. Heavy duty gloves should always be worn when using the hedge trimmer
10. Be careful during adjustment of placing your fingers between moving blades and fixed parts of the machine
11. During transportation and storage of the hedge trimmer, keep the blades covered at all times with blade sheath.
12. The use of a residual current device (R.C.D) with a tripping current of no more than 30mA is recommended.
13. Do not try grasp or remove hedge clippings when the hedge trimmer is running. Only remove hedge clippings when the appliance is switched off and disconnected from the mains supply.
14. Carry the hedge trimmer at the handle while the cutter blade is not running. Always ensure guard supplied is fitted when transporting or storing the hedge trimmer. Careful operation reduces the injury by the cutter blade.
15. Keep cable away from the cutting area. Be aware that during operation the cable may be covered in hedge clipping and could be cut inadvertently.
16. If the supply cord is damaged, it must be replaced by the manufacturer, its service agent or similarly qualified persons in order to avoid a hazard.



Safety Information

Important - Please read these instructions fully before operation or maintenance

Electrical safety



WARNING!

17. Read these safety instructions thoroughly before connecting this product to the mains supply.
18. Before switching on, make sure that the voltage of your electricity supply is the same as that indicated on the rating plate. This product is designed to operate on 230-240VAC 50Hz. Connecting it to any other power source may cause damage.
19. This product may be fitted with a non-rewireable plug. If it is necessary to change the fuse in the plug, the fuse cover must be refitted. If the fuse cover becomes lost or damaged, the plug must not be used until a suitable replacement is obtained.
20. If the plug has to be changed because it is not suitable for your socket, or due to damage, it should be cut off and a replacement fitted, following the wiring instructions shown below.
21. The old plug must be disposed of safely, as insertion into a 13 amp socket could cause an electrical hazard.



WARNING!

A 13amp fuse must be fitted. The use of a high sensitivity residual current device (RCD) is recommended to provide personal protection against harmful electric current.



WARNING!

- Do not use two-core extension cords or reels on power tools with an earth path.
22. Use only extension cords suitable for outdoor use, preferably with a high visibility cable colour. Always unwind all extension cables fully, coiled cables can overheat and reduce the efficiency of your product.
 23. For extension cables up to 15metres , use a wire cross section of 1.5mm². For extension cables over 15 meters but less than 40 meters, use a wire cross section of 2.5 mm².
 24. If the insulation on a power cable or extension lead is found to be cut or damaged, do not touch it! Disconnect the power supply immediately and have the damaged cable replaced.
 25. Do not repair damaged cables.
 26. Always follow the manufacture's instructions.

Safety Information

Warning Symbols



Before any use, refer to the corresponding paragraph in the present manual.



Warning! This symbol, before a safety comment, indicates a precaution, a warning or a danger. Ignoring this warning can lead to an accident for yourself or for others. To limit the risk of injury, fire, or electrocution always apply the recommendations indicated.



Wear ear protection.



Wear eye protection.



Wear dust mask.



Do not expose and operate the tool in rain.



Keep all other people, including children, pet and bystanders outside the 10 meters hazard zone, stop the trimmer immediately if you are approached.



Remove the plug from the mains supply immediately if the cable is damaged or cut.



Double insulation.



Recycle unwanted materials instead of disposing of them as waste. All tools, hoses and packaging should be sorted, taken to the local recycling centre and disposed of in an environmentally safe way.



Guaranteed Sound power level data (100dB) in accordance with Directive 2000/14/EC.

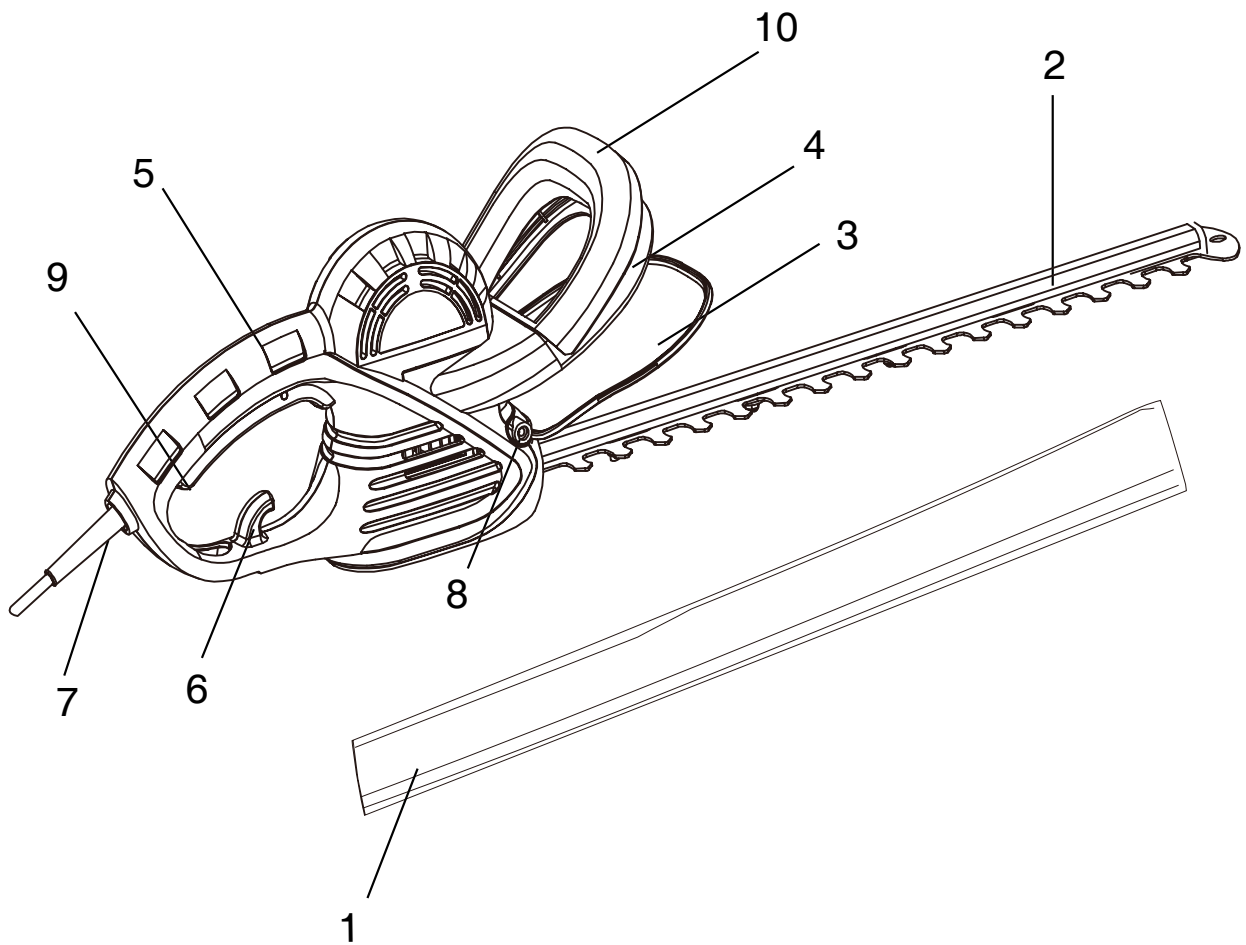


Conform to all relevant safety standards.

Parts list

Parts description

- | | |
|---------------------|--------------------------|
| ① Blade sheath | ② Blade |
| ③ Safety hand guard | ④ Front handle |
| ⑤ Rear handle | ⑥ Cable holder |
| ⑦ Cable and plug | ⑧ Fixed guard screw (x2) |
| ⑨ ON/OFF switch | ⑩ Safety switch |



Assembly

Preparing to assemble the hedge trimmer



WARNING!

- Always take care when removing the packaging to prevent damage to you or to the hedge trimmer.
- Keep the carton in guarantee time. Always recycle the packaging in accordance with local recycling schemes.

Mains supply cable strain relief

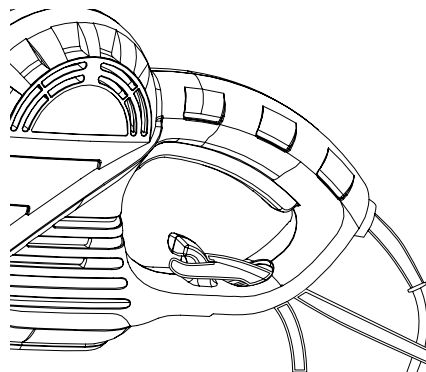


Warning!

Do not use the product without fitting the guard.

To prevent excessive strain on the cable connections, the hedge trimmer is fitted with a cable restraint.

Before switching on, push a loop of cable through the space in the handle and secure it over the cable restraint.



Operation

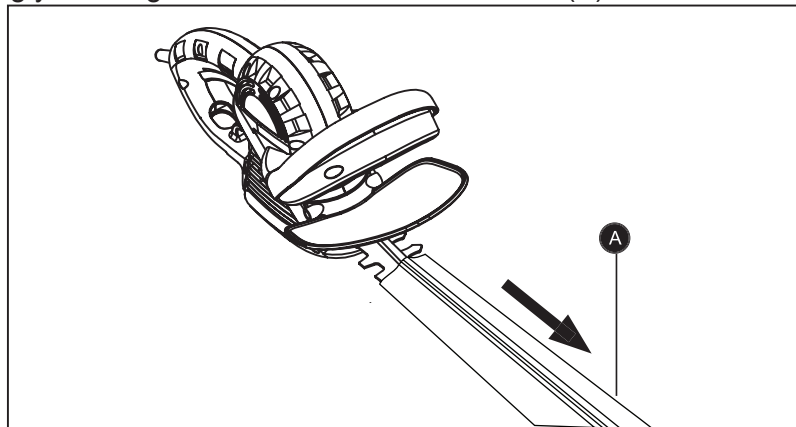
Operation



Warning!

Before switching on, make sure that all personnel, particularly children and domestic animals, are at a safe distance. Inspect the hedge to be trimmed and make sure that there are no obstacles, or foreign objects in the work area. If any parts are missing, damaged or broken, do not operate your hedge trimmer until all damaged parts have been replaced or repaired. Failure to do so could result in serious personal injury.

Before starting your hedge trimmer, remove blade sheath(A) as illustration



Switch ON/OFF



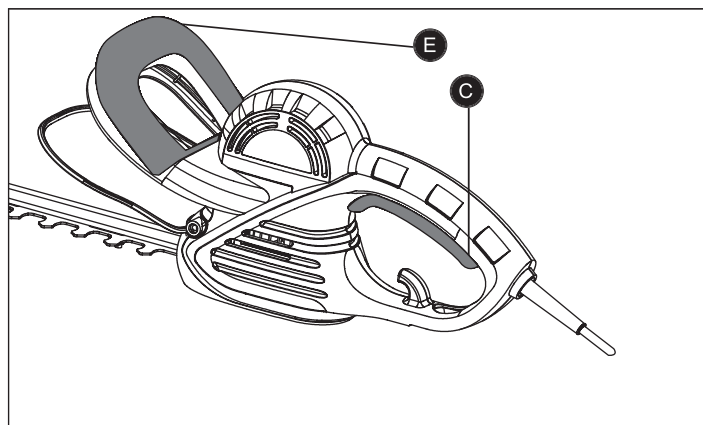
NOTE! For your safety, this tool is equipped with a double switch system. This system prevents starting the tool inadvertently. You must push the safety switch lever (E) and then press the On/Off switch (C).

Switching on

1. Push the safety switch lever (E).
2. Press the On/Off switch (C).

Switching off

Release either safety switch lever or On/Off switch.



Operation

Cutting hedge



Warning!

Before using this hedge trimmer, make sure that you have read all of the safety instructions.

Be aware of the position of the cable at all times. Keep it away from the blade.

When operating unit, check for the following:

Wear eye protection and heavy clothing.

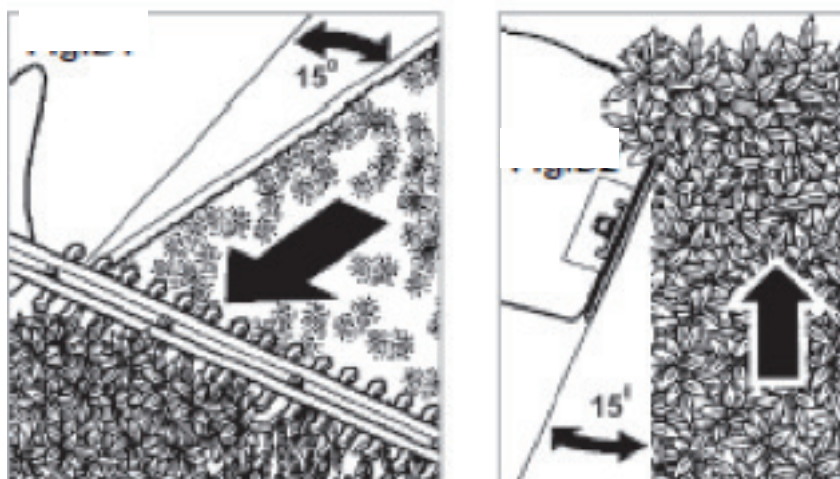
Hold front handle with one hand and auxiliary handles with the other hand.

1. Start trimming at the point nearest to the electricity supply and work away from it.
2. Keep the mains cable behind you at all times. Make sure that it is not in the path of the blade.
3. When trimming the blade should be tilted towards the hedge. Always trim from the bottom upwards.
4. Trim the sides of the hedge first and then trim the top.
5. If the branches are very long, they should be cut back in several stages.
6. Make sure that there are no hard objects in the hedge such as railings, that could damage the blade.
7. If the blade becomes jammed, switch off and disconnect from the mains supply before clearing the obstruction.
8. Do not force the hedge trimmer to cut over sized branches. These should be cut by hand using secateurs or shears.



Note! Evergreen hedges and shrubs that retain their leaves in the winter, should be trimmed in April and August.

Conifers and other fast growing shrubs can be trimmed every six weeks from May onwards, throughout the growing season.



Maintenance and storage



WARNING!

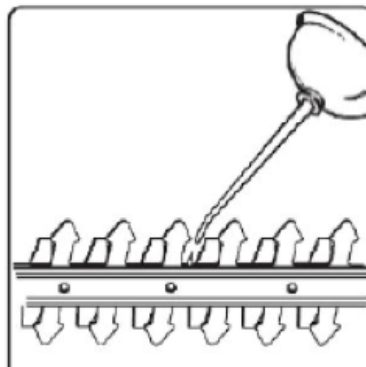
Before cleaning, inspecting or repairing your unit, make sure the switch is off. Disconnect the plug from mains.

Cleaning



Warning! Before lubricating, make sure your hedge trimmer is disconnected from the mains supply. Apply the oil so that it runs between the two blades.

1. Never use water or chemical cleaners to clean your power tool. Wipe clean with a dry cloth.
2. Always check the cutting head and guard before each use.
3. Always store your power tool in a dry place.
4. Keep the motor ventilation slots clean.
5. Have the unit professionally repaired should any damage parts.
6. Do not allow cuttings and other debris to become dry and hard on any of the hedge trimmer surfaces. This will directly affect the cutting performance.
7. Make sure that the blade is kept clean of all cuttings and other debris.
8. For easier operation and longer life, lubricate the cutting blades before and after each use.



Storage

Make sure that the hedge trimmer has been thoroughly cleaned before storing it in a clean dry place out of the reach of children.

Always fit the transportation blade guard when storing the hedge trimmer

Storage

1. Switch the product off and disconnect it from power supply before transporting it anywhere.
2. Attach the blade sheath.
3. Always carry the product on its gripping surfaces.
4. Protect the product from any heavy impact or strong vibrations which may occur during transportation in vehicles.
5. Secure the product to prevent it from slipping or falling over.

Troubleshooting

General Troubleshooting



WARNING!

Only perform the steps described within these instructions! All further inspection, maintenance and repair work must be performed by an authorised service centre or a similarly qualified specialist if you cannot solve the problem yourself!

Suspected malfunctions, disturbances or damages are often due to causes that the user can fix themselves. Therefore check the product using this section. In most cases the problem can be solved quickly.

Problem	Possible Cause	Solution
Product does not start	1. Not connected to power supply	1. Connect to power supply
	2. Power connection is loosen	2. Connect the power supply properly
	3. Other electrical defect to the product	3. Check with a specialist electrician
Product does not reach full power	1. Extension cord not suitable for	1. Use a proper extension cord
	2. Power source (e.g. generator) has too low voltage	2. Connect to another power source
	3. Air vents are blocked	3. Clean the air vents
Unsatisfactory result	Cutting device worn	Have a specialist to replace it

Technical data

Technical Data Table

Model No.	HTEG33-550
Rated voltage	230-240V AC 50Hz
Input power	550W
No load speed	1800min ⁻¹
Cutting length	490mm
Tooth gap	16mm
Protection class	II
Machine Weight	2.6kg
NOISE AND VIBRATION DATA	
Sound pressure level(LpA)	78.54dB(A), K=3dB(A)
Sound power level	98.54dB(A), K=0.51dB(A)
Power sound level(LwA)	100dB(A)
Vibrations	3.435m/s ² , K=1.5m/s ²

The declared vibration value has been measured in accordance with a standard test method and may be used for comparing one tool with another. The declared vibration value may also be used in a preliminary assessment of exposure.



WARNING!

The vibration emission value during actual use of the tool can differ from the declared value depending on the ways in which the tool is used. Identify safety actual conditions of use (taking account of all parts of the operating cycle such as the times when the tool is switched off and when it is running idle in addition to the trigger time).

The sound intensity level for the operator may exceed 85dB(A) and ear protection measures are necessary.

Recycling and Disposal

Disposal Instructions

1. Recycle unwanted materials instead of disposing of them as waste. All tools, hoses and packaging should be sorted, taken to the local recycling centre and disposed of in an environmentally safe way.
2. Recycle rather than dispose of unwanted material in landfill whenever possible. The machine must be delivered in rigid packaging to avoid damage during transportation. The packaging and the machine itself are manufactured from recyclable materials and should be disposed of accordingly.
3. Do not throw your clippings into a rubbish bin where it will dispose of clippings on your compost heap, alternating then with other garden material. The more thoroughly you chop the clippings beforehand, the more rapidly they will degrade. Alternatively, many communities provide a public collection point where you can dispose of your garden waste in an environmentally friendly manner.
4. Only dispose of electrical/electronic/battery items in separate collection schemes, which cater for the recovery and recycling of materials contained within. Your cooperation is vital to ensure the success of these schemes and for the protection of the environment.
5. Recycle packaging where facilities exist.
6. This symbol is known as the Crossedout Wheelie Bin Symbol. When this symbol is marked on a product or battery, it means that it should not be disposed of with your general household waste. Some chemicals contained within electrical/electronic products or batteries can be harmful to health.

Guarantee

Dear Customer,

In the unlikely event that your device develops a fault, please contact our Customer service department on the telephone number shown below.

1. These guarantee terms cover additional guarantee rights and do not affect your statutory warranty rights.

Claims must be accompanied by Proof of Purchase. This must be in the form of a Sales receipt or Bank statement and must show that the product has been purchased within 1 year prior to the claim, from the retailer that it was originally sold to.

2. Our guarantee covers problems caused by material or manufacturing defects, and will result in the repair of these defects or replacement of the device with a like for like or similar article. Please note that our devices have not been designed for use in commercial, trade or industrial applications. Consequently, the guarantee is invalidated if the equipment is used in commercial, trade or industrial applications or for other equivalent activities.

3. The following are also excluded from our guarantee:

A) Faults due to accidents, customer misuse, or unauthorized repairs

B) Consumable Parts such as blade

C) Failure due to lack of routine maintenance

D) Failure as a result of not using the equipment in accordance with the manual and safety instructions

4. The guarantee is valid for a period of 1 year starting from the purchase date of the device. Guarantee claims should be submitted before the end of the guarantee period within two weeks of the defect being noticed. No guarantee claims will be accepted after the end of the guarantee period. The original guarantee period remains applicable to the device even if repairs are carried out or parts are replaced. In such cases, the work performed or parts fitted will not result in an extension of the guarantee period, and no new guarantee will become active for the work performed or parts fitted. This also applies when an on-site Service is used.

5. Please keep your sales receipt in a safe place. If the defect is covered by our guarantee your device will either be repaired under the terms of guarantee or we will send you a replacement device. This device may be re-conditioned or Like for like replacement.