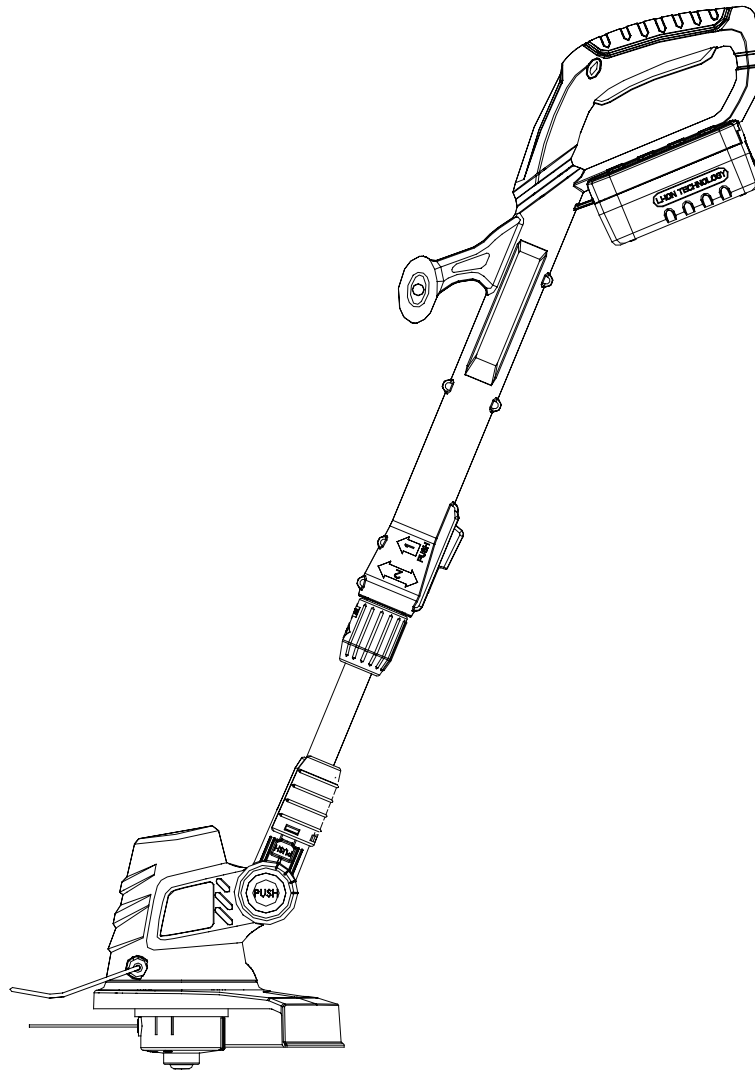


CHALLENGE

18V Li-ion Cordless Grass Trimmer

Original Manual

N0E-15ET-230



challenge[®]

Important - Please read these instructions fully before starting assembly and using.

These instructions contain important information that will help you get the best from your grass trimmer, ensuring it is assembled correctly and safely.

If you need help or have damaged or missing parts, call the Customer Helpline on 01904 727508 prior to returning product to store. SAN NO.: 0321/8008/78ZC

Contents

Introduction	3
Safety Information	3
Parts list.....	10
Assembly.....	11
Operation.....	14
Maintenance and Storage.....	17
Troubleshooting.....	19
Technical Data.....	20
Recycling and Disposal.....	21
Guarantee.....	22

Introduction

Thank you for purchasing a **CHALLENGE** grass trimmer. We hope you are completely satisfied with your new product and hope you will enjoy using this tool for many years. Your N0E-15ET-230 Grass Trimmer has been designed for trimming light foliage and is intended for domestic use only.

Intended Use

This Li-ion cordless grass trimmer N0E-15ET-230 is intended for cutting weed, grass or similar soft vegetation in areas that are hard to reach, e.g. under bushes, on slopes and edges. It may not be used to work on unusual thick, dry or wet grass, e.g. pasture grass, or to shred leaves. For safety reasons it is essential to read the entire instruction manual before first operation and to observe all the instructions therein. This product is intended for private domestic use only, not for any commercial trade use. It must not be used for any purposes other than those described.

Safety Information

Important - Please read these instructions fully before starting assembly

General Power Tool Safety Warnings



Read all instructions. Failure to follow all instructions listed below may result in electric shock, fire and/or serious injury. The term “power tool” in all warnings listed below refers to your mains operated power tool.

- 1. Read the instruction carefully.** Be familiar with the controls and the correct use of the appliance. Read and understand the operator’s manual and observe the warnings and instruction labels affixed to the appliance.
- 2. Users.** Never allow children or people unfamiliar with these instructions to use the appliance. Local regulations may restrict the age of operator. Never operate the tool under the influence of alcohol, medication or drugs.
- 3. Use appropriate tool.** This device is only intended for trimming hedge outdoors and only designated for use on private property. Do not force small tools or attachments to do the job of a heavy duty tool.
- 4. Keep work areas clean.** Cluttered areas can cause accidents.
- 5. Consider work area environment.** Do not expose the tool to high humidity or rain. Do not use the tool in damp and wet conditions. Keep the work area well lit. Do not use the tool where there is a risk of causing fire or explosion, e.g. in the presence of flammable liquids and gases.
- 6. Keep all bystanders, children, and pets away.** The operator or user is responsible for accidents or hazards occurring to other people or the property.
- 7. Dress appropriately.** Do not wear loose clothing, hair or jewelry, as these can be caught in moving parts. Preferably wear non-slip footwear when working outdoors. Wear protective hair covering to keep long hair out of the way.



Safety Information

Important - Please read these instructions fully before starting assembly

General Power Tool Safety Warnings

- 8. Head protection.** Always use safety glasses and gloves. Use a face or dust mask whenever the operations may produce dust or flying particles. Wear ear protection whenever the sound level seems uncomfortable.
- 9. Do not overreach.** Keep proper footing and balance at all times.
- 10. Stay alert, watch what you are doing.** Use common sense when operating the appliance. Do not operate the tool when you are tired.
- 11. Grip the tool securely.** Operator should have one hand on the main handle, the other on the front handle. Keep finger off trigger until ready to use.
- 12. Remove adjusting keys and wrenches.** Always check that adjusting keys and wrenches are removed from the tool before operating the tool.
- 13. Risk of cut.** Do not try to grasp or remove trimmings when the product is running. Only remove trimmings when the product is switched off and disconnected from the power supply.
- 14. Disconnect the battery.** Disconnect battery from the tool when not in use or when servicing or cleaning.
- 15. Check for damaged parts.** Before further use, carefully check the tool for damage. Check for alignment of moving parts, binding of moving parts, breakage of parts, mounting and any other condition that may affect its operation. Do not use the tool if any parts are damaged or defective. Have any damaged or defective parts repaired or replaced by an authorized service agent. Never attempt any repairs yourself.
- 16. Store idle tools.** When not in use, tools should be stored in a dry, locked-up place out of reach of children.
- 17. Maintain tools with care.** Keep tools clean and in good condition for better and safer performance. Follow the instructions for maintenance and changing accessories. Keep handles and switches dry, clean and free from oil and grease.
- 18. Have your tool repaired by an authorized service agent.** This tool is manufactured in accordance with the relevant safety regulations. To avoid danger, electrical appliances must only be repaired by qualified technicians.

Safety Information

Additional safety instructions for batteries and chargers

Batteries



WARNING!

The use of attachments or accessories not recommended by the manufacturer of this tool, can result in serious personal injury.

1. Never attempt to open for any reason.
2. Do not expose to water.
3. Do not incinerate the battery pack even if it is severely damaged or is completely worn out. The battery pack can explode in a fire.
4. Do not store in locations where the temperature may exceed 40°.
5. Do not leave the battery pack in the charger when the charging is finished, otherwise battery leakage may occur.
6. Charge only at room temperature.
7. Charge only by using the charger provided with the tool (see technical data).
8. Before charging, make sure that the battery is dry and clean.
9. Use only the correct type of battery for the tool (see technical data).
10. When dispose of batteries follow the instructions given in the section "protecting the environment".
11. Under extreme conditions, battery leakage may occur. When you notice liquid on the battery, proceed as follows:
 - Carefully wipe the liquid off using a cloth.
 - Avoid skin contact.
 - Dispose of battery in an environmental-friendly manner
12. In case of skin or eye contact, follow the instructions below.
 - The battery fluid, a 25-30% solution of potassium hydroxide, can be harmful. In case of skin contact, immediately rinse with water. Neutralize with a mild acid such as lemon juice or vinegar. In case of eye contact, rinse abundantly with clean water for at least 10 minutes. Consult a physician.



13. Don't let any metal objects contact the electrode plate on battery pack.

NOTE: The batteries in your battery pack are the Lithium-Ion type. Do not dispose of battery packs/batteries into household waste, fire or water. Battery packs/batteries should be collected, recycled or disposed of in an environmental-friendly manner.

Safety Information

Chargers



1. Charger's plug must match the outlet. Never modify the plug in any way. Unmodified plug and matching outlets will reduce risk of electric shock.
2. Use your charger only to charge batteries of the type supplied with your tool. Other batteries could burst, causing personal injury and damage.
3. Only 2 battery packs are allowed to be charged continuously in order to prevent over heating of charger, necessary rest time is required to let the charger cool down before further charging.
4. When charging is finished, unplug the charger from mains socket outlet and takeaway the battery pack from the charger, do not leave the battery pack in the charger.
5. Never carry the charger by its cord or pull it to disconnect from the socket. Keep the cord away from heat, oil and sharp edges.
6. Never attempt to charge non-rechargeable batteries.
7. The cord of the charger is not changeable, do not continue to use if the cord is damaged.
8. Do not expose to water or rain, do not use in wet condition.
9. Do not open the charger.
10. Do not probe the charger.
11. Intended for indoor use only.

Additional safety instructions for grass trimmers

1. Wear safety goggles when operating this tool.
2. Wear gloves when operating this tool.
3. Do not expose the tool to rain or high humidity.
4. Be familiar with the controls and proper use of trimmer.
5. Never allow children or people unfamiliar with the instructions to use the trimmer.
6. Keep children, other people and pets away from the trimmer; the grass which is cut and dispersed may contain stones and debris. Stop using the trimmer while people, especially children, or pets are nearby.
7. Do not let other people or animals come within 15m of the trimmer when in use.
8. Only use the trimmer in daylight or good artificial light.
9. Before using the trimmer and after any impact, check for signs of wear or damage and repair as necessary; Do not use the trimmer if the cutting device is not secured properly or is damaged.



Safety Information

Additional safety instructions for grass trimmers

10. Always check the good working order of the trimmer which, if not adequate, could endanger the user.
11. Never operate the trimmer with damaged guards or without the guards in place.
12. Before starting the trimmer, make sure that the nylon line is not touching stones or debris.
13. Keep hands and feet away from the cutting means at all times and especially when switching on the motor.
14. Take care against injury from the cutter blade fitted for trimming the filament line length. After extending new cutter line always return the trimmer to its normal operating position before switching on.
15. Never fit metal cutting elements.
16. Never use replacement parts or accessories not provided or recommended by the manufacturer.
17. Remove the battery before checking, cleaning or working on the trimmer and when it is not in use.
18. Always ensure that ventilation openings are kept clear of debris.
19. To avoid unintentional starting, do not carry the machine with a finger on the on/off switch.
20. Remain in a stable and secure position while operating the trimmer.
21. Keep the area being cut free from wires, stones and debris.
22. Do not cut against hard objects. This could cause injury or damage the trimmer.
23. Warning! Cutting elements continue to rotate after the motor is switched off.
24. Do not try stopping the cutting device (nylon line) with your hands. Always let it come to a stop by itself.
25. Do not use the trimmer to cut grass which is not in contact with the ground; for example do not cut grass which is on walls or rocks etc.
26. Do not cross roads or gravel paths with the trimmer still running.

Safety Information

Warning Symbols



Warning!



Conform to all relevant safety standards.



Read the instruction manual before use.



Wear ear protection.



Wear eye protection.



Wear dust mask.



**Keep other people out of working area during operation.
A distance of at least 15 m must be observed.**



Keep bystanders away.



Disconnect the battery pack before any repair or maintenance.



Do not expose to rain.



Guaranteed Sound power level data (96dB) in accordance with Directive 2000/14/EC

Safety Information

Warning symbols on the charger



Before use, carefully read through the user manual.



The charger is for indoor use only.



Protection class II.



Pole orientation.



Waste electrical products should not be disposed of with household waste. Please recycle where facilities exist. Check with your Local Authority or retailer for recycling advice.

Warning Symbols on the Battery



Do not dispose of batteries in rivers or immerse in water.



Do not subject the battery to strong sunlight over long periods and do not leave it on a heater (max.45°C).



Do not dispose of batteries in a fire. They will explode and cause injury.



Contain Li-ion battery. Battery must be recycled or disposed of properly.

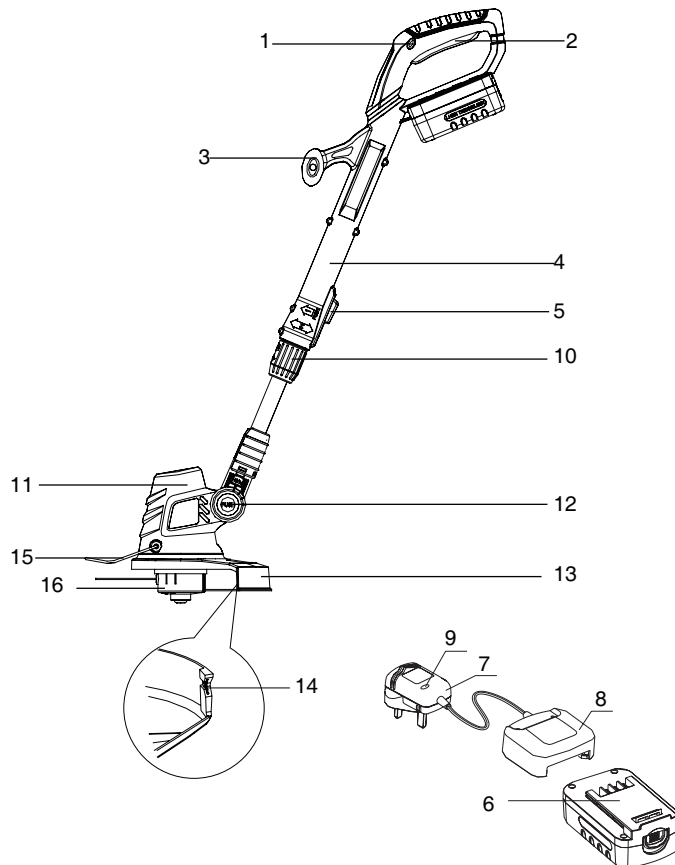


Do not dispose of batteries. Return exhausted batteries to your local collection or recycling point.

Parts list

Parts description

- | | | |
|--------------------|--------------------|-------------------------------|
| ① On/Off trigger | ② Main Switch | ③ Front Handle |
| ④ Upper Tube | ⑤ Edge Button | ⑥ Battery Pack |
| ⑦ Charger | ⑧ Charging Station | ⑨ LED (Indicators on Charger) |
| ⑩ Telescopic Knob | ⑪ Motor Housing | ⑫ Cutting angle adjustment |
| ⑬ Protection Guard | ⑭ Line Blade | ⑮ Plant Guard |
| ⑯ Spool Head | | |



Assembly

Preparing to assemble the grass trimmer



NOTE: Before using the tool, read the instruction book carefully.

Charging the battery



WARNING!

The charger and battery pack are specifically designed to work together so do not attempt to use any other devices. Never insert or allow metallic objects into your charger or battery pack connections because an electrical failure and hazard will occur.

The battery needs to be charged before first use and whenever it fails to produce sufficient power on jobs that were easily done before.



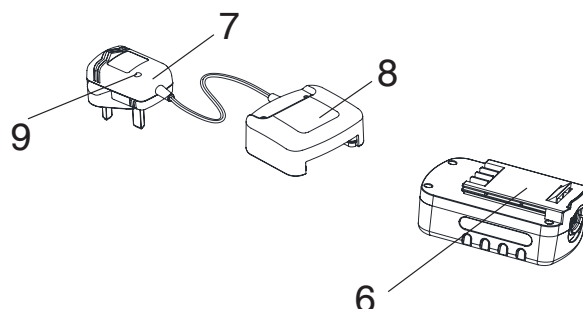
WARNING! NEVER LEAVE THE BATTERY AND CHARGER UNATTENDED WHEN CHARGING THE BATTERY.

This product comes with a lithium ion battery pack. Lithium Ion batteries don't lose charge when not in use, and don't lose charging capacity overtime. Never the less it is best practice to charge the battery when empty or insufficient to do the job.

Charging procedure

Attention! The battery cannot be charged immediately after use, it should cool off for a period of time. The LED (9) lights switching from green to red means it can be charged.

1. Connect the charger (7) to the charging station (8) .
2. Plug the charger into an appropriate AC power outlet. The LED (9) lights green to tell you that the charger is ready for use.
3. Slide the charging station (8) into the battery pack (6), make sure the charging station is fully seated in the battery pack. The LED (9) lights up red to tell you that the battery pack is on charge.
4. The battery pack will be fully charged in 3~5 hours. And the LED (9) lights up green again to tell you that the battery pack is fully charged.



Assembly

Charging procedure

Important charging notes

Longest life and best performance can be obtained if the battery pack is charged when the air temperature is between 18-24°C. Do not charge the battery pack in a very low or very high air temperature. This is important and will prevent serious damage to the battery pack.

1. When using your tool continuously, the batteries in your battery pack will become hot. You should let a hot battery pack cool down for approximately 30 minutes before attempting to recharge.
2. The charger and battery pack may become warm to touch while charging. This is a normal condition, and does not indicate a problem.
3. Use the charger in normal room temperatures whenever possible. To prevent overheating, do not cover the charger and do not charge battery packs in direct sunlight or near heat sources.
4. If the battery pack does not charge properly;
 - (1). Check the main socket by plugging in a lamp or other appliance.
 - (2). Move the charger and battery pack to a location where the surrounding air temperature is approximately 18-24°C.
 - (3). If charging problems persist, take or send the tool, battery pack and charger to your local service center.
5. The battery pack should be recharged when it fails to produce sufficient power on jobs which were easily done previously. **DO NOT CONTINUE** to use under these conditions. Follow the charging procedure. You may also charge a partially used pack whenever you desire with no adverse effect on the battery pack.
6. Under certain conditions, with the charger plugged in to the power supply, the exposed charging contacts inside the charger can be shorted by foreign material. Foreign materials of a conductive nature such as, but no limited to, steel wool, aluminum foil, or any buildup of metallic particles should be kept away from charger cavities. Always unplug the charger from the power supply when there is no battery pack in the cavity. Unplug charger before attempting to clean.
7. Do not immerse charger in water or any other liquid.



WARNING!

Don't allow any liquid to get inside charger. Electric shock may result. To facilitate the cooling of the battery pack after use, avoid placing the charger or battery pack in a warm environment such as in a metal shed, or an un-insulated trailer.



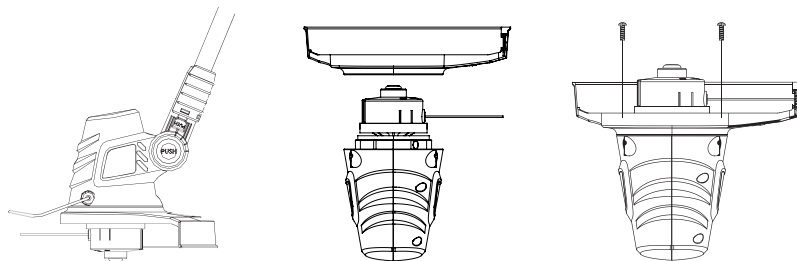
CAUTION!

Never attempt to open the battery pack for any reason. If the plastic housing of the battery pack breaks or cracks, return to a service center for recycling; do not put it into further use.

Assembly

Install the guard

1. Remove two screws from the motor housing.
2. Slide the guard over the motor housing.
3. Re-insert two screws into the guard and tighten.

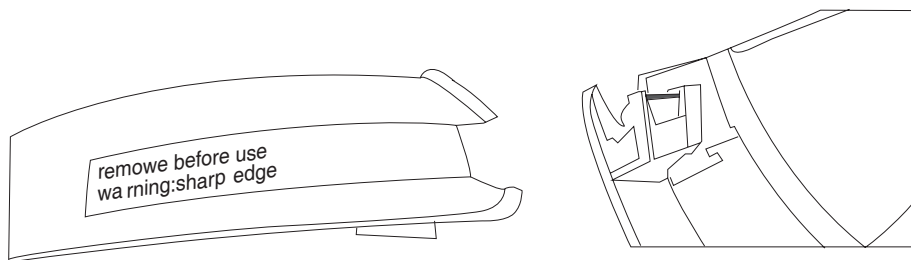


4. Place the two ends of the plant guard into two holes on both sides on the motor housing.



WARNING!

Take care to have a look at the yellow warning label and rip off before use. Take great care when doing this as there is a very sharp line blade (14) on the guard.



Remove or install the battery pack

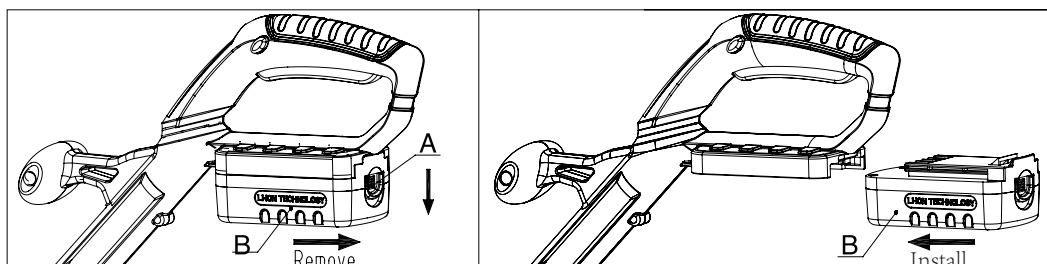


WARNING!

Always release the On/Off trigger before insertion or removal of the battery pack.

Remove the battery pack. Depress the button (A) on end of the battery pack, and then remove the pack (B) from the tool.

Install the battery pack. Align the ribs on both side of the battery pack with the slots in the housing and slip it into place. Always insert it all the way until it locks in place with a click sound. If not, it may accidentally fall out of the tool, causing injury to you or someone around you.

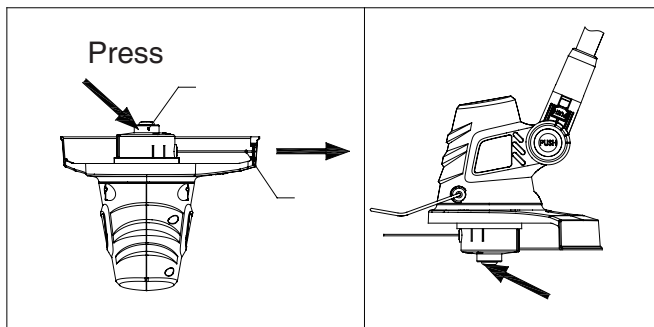


Operation

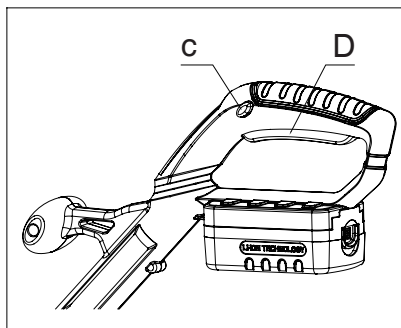
Starting

Before starting the grass trimmer for the first time, check that the nylon lines touch or pass over the wire cutting blade. If they are not long enough:

1. Take off the battery pack from machine.
2. Press the spool button
3. Pull more nylon wire to lengthen.



Install the battery pack. Switch the trimmer on. Press and hold the safety lock-off button (C) and then press the trigger (D) on the handle. Release the safety lock-off button (C).



The lengthened nylon line will be cut to size automatically by the wire cutting blade once the grass trimmer is turned on.

During use, the nylon line will become shortened or worn. To automatically lengthen or advance the nylon cutting line, tap the spool button lightly on ground (while the unit is running).

These operations should be repeated a few times before starting work to make sure that everything is functioning properly and to familiarize you with the grass trimmer. Start off slowly, when you have gained experience, you will be able to use the grass trimmer to its full potential.

Operation

Switch on/ off

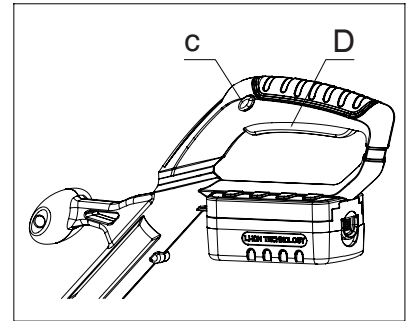
Switching the trimmer on:

Press and hold the safety lock-off button (C) and then press the trigger (D) on the handle.

Release the safety lock-off button (C) again.

Switching the trimmer off:

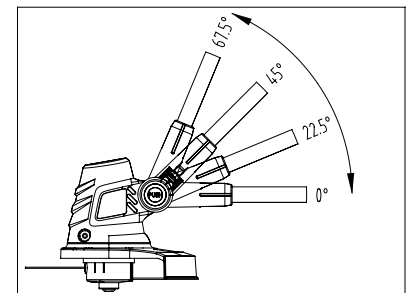
Release the trigger (D) on the handle.



Setting the cutting angle

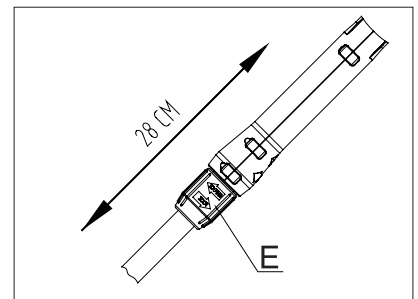
The angle of the handle can be set to 4 different working positions.

Push the cutting angle adjustment button (12) with one hand and move the handle up and down to the desired position. Release the button to lock the handle in the set position.



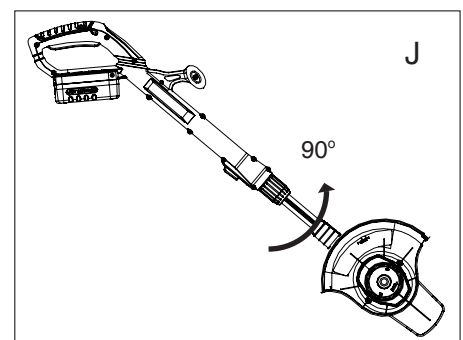
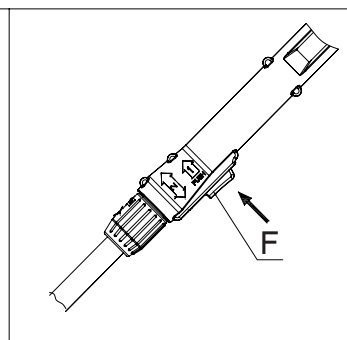
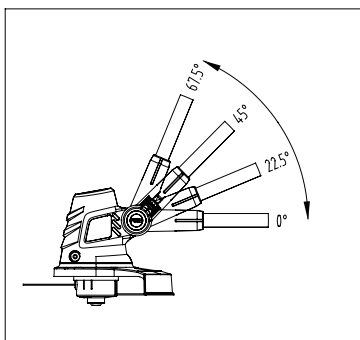
Telescopic handle

Turn the telescopic knob (A) aligning the “UNLOCK” direction and extend upper part of handle to desired handle length. Then turn the telescopic knob (E) aligning the “LOCK” direction and tighten.



Edging function

1. Set the cutting angle to 0 degree (see instructions below).
2. Press the edging button (F), rotate the lower tube 90 degree(J).



Operation

Cutting guide



WARNING!

Always wear eye protection. Never lean over the trimmer head. Rocks or debris can bounce or be thrown into eyes and face and cause blindness or other serious injury.

When operating the unit, check for the following:

Wear eye protection and protective clothing.

Hold front handle with one hand and auxiliary handles with the other hand.

Keep unit below waist level. Work only from your right to your left to ensure debris is thrown away from you.

Without bending over, keep line near and parallel to the ground (vertical when edging with the line facing away from you). The guard should face you, protecting you from debris. Do not switch the machine on with the cutting head on or near material to be cut.

Ensure the cutting line is at full speed before contacting grass.

1. Let the trimmer run for a few seconds to cut the line.
2. Use the trimmer at an angle of approximately 15 degree to the working area.
3. Swing the trimmer head from side to side.
4. If the grass is very long, cut in stages rather than trying to cut in one go. Do not overload your trimmer, take small cuts, this will keep the machine operating at high speed and improve the cutting efficiency.



Maintenance and Storage

Replace the spool



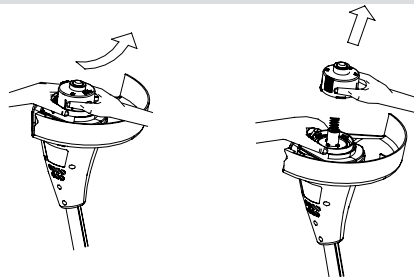
WARNING!

Before replacing the spool, always switch off the machine and take off the battery pack!

RISK OF INJURY! Cutting elements continue to rotate after the motor is switched off. Do not try to stop the cutting device (nylon blade) with your hands. Always let it come to a stop by itself.

1. Remove the spool assembly from the trimmer. To do so, hold the outer ribbed part of the assembly with one hand, while pushing down and turning the spool head with the other to unlock it. The spool carrier and spool will now disassemble easily.

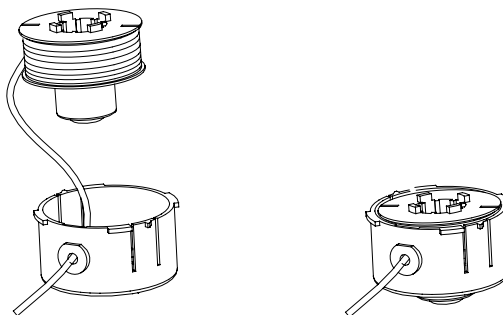
Note: There is a spring inside the head that could easily be lost. Ensure that it is put in a safe place.



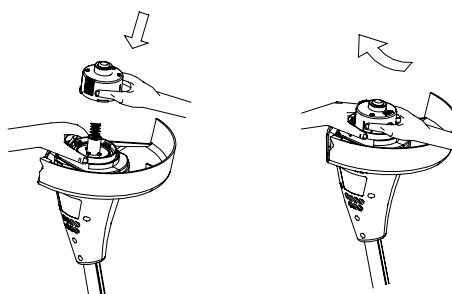
2. Choose either OPTION 1 or OPTION 2 below for spool or line replacement.

Option 1: accessory replacement spool

Insert the line from the replacement spool through the eyelet in the spool carrier and slide the spool into it.



Making sure to insert the spring, assemble the spool and spool carrier back onto the trimmer. To do so, push the head on and turn it clockwise until it locks.



Maintenance and Storage

Replace the spool

To test if the line is advancing properly, push the button with your thumbs while pulling the wire with your fingers. The line should advance freely.

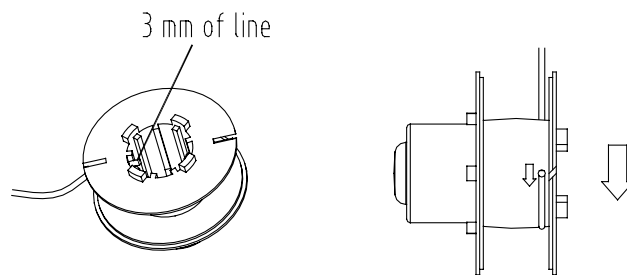
Option 2: replacing line



Attention! Please use diameter 1.2mm or 1.4mm line.

Line for your trimmer is available at extra cost from your local dealer or the customer support service:

1. Insert one end of the line into the hole in the spool about 3 mm.
2. Tight and evenly wind the line onto the spool in the direction of the arrow on the spool, until the line builds up to the notches in the spool rim. Do not overfill spool. The spool holds about 6.5 m of line.



Clean and storage

1. After use, remove the battery pack from the trimmer;
2. When not in use store the machine out of the reach of children;
3. Use only manufacturer recommended replacement parts and accessories;
4. To clean the tool, remove battery pack and use only mild soap and a damp cloth to clean the tool. Do not immerse tool in water or squirt it with a hose. Do not allow any liquid to get inside it. Do not clean with a pressure washer.

Troubleshooting

Troubleshooting

Although your new cordless grass trimmer is really easy to operate, if you do experience problems, check the following:

Tool runs slowly

- Check that the spool housing can rotate freely. Carefully clean it if necessary.
- Check that the cutting line does not protrude more than 9 cm from the spool housing. If it does, cut it off so that it just reaches the line trimming blade.

If the trimmer is not cutting properly

Check the condition of the cutting head, if the cutting line is too short or cutting head damaged.



Note: Do not use damaged cutting head.

If trimmer will not operate

Check battery pack assembly;

Charge the battery: operation of the grass trimmer is dependent upon sufficient charge in the battery pack.

If the battery will not charge

Check to see if the battery is properly inserted into the charger base, and make sure the indicator light is on. If not, check the power supply to the socket used for charger plug.

If a fault is suspected return the trimmer to an authorized dealer for repair.

Technical data

Technical Data Table

Model	N0E-15ET-230
Voltage	18VDC
Battery type	Lithium-Ion
No load speed	8000/min
Cutting width	23cm
Battery pack	
Model	ET-D1806
Battery type	Lithium-Ion
Battery capacity	1.5Ah
Charging time	Approx. 4 Hours
Charger	
Model	JLH122100400B
Rated Voltage	100-240VAC 50-60Hz
Nominal Consumption	15W
Output Voltage of Charger	21V DC
Output Current of Charger	400mA
Protection Category	IP20

Noise and vibration data

A weighted sound pressure 78dB(A) KPA: 3dB(A)

A weighted sound power 90.31dB(A) KWA: 1.97dB(A)

The guaranteed sound power level: 96dB(A)

Wear ear protection

Typical weighted vibration 1.9m/s² K=1.5m/s²



WARNING!

The sound values have been determined according to noise test code given in EN50636-2-91, using the basic standards EN ISO 11201 and EN ISO 3744.

The sound intensity level for the operator may exceed 80dB(A) and ear protection measures are necessary.

The declared vibration value (according to EN 786) has been measured in accordance with a standard test method and may be used for comparing one product with another. The declared vibration value may also be used in a preliminary assessment of exposure.

Technical Data

Noise and vibration data



WARNING!

Depending on the actual use of the product the vibration values can differ from the declared total! Adopt proper measures to protect yourself against vibration exposures! Take the whole work process including times the product is running under no load or switched off into consideration!

Proper measures include among others regular maintenance and care of the product and cutting attachments, keeping hands warm, periodical breaks and proper planning of work processes!

Recycling and Disposal

Disposal Instructions



Waste electrical products should not be disposed with household waste. Please recycle where facilities exist.



Check with your Local Authority or retailer for recycling advices.

Guarantee

Dear Customer,

In the unlikely event that your device develops a fault, please contact our Customer service department on the telephone number shown below.

1. These guarantee terms cover additional guarantee rights and do not affect your statutory warranty rights.

Claims must be accompanied by Proof of Purchase. This must be in the form of a Sales receipt or Bank statement and must show that the product has been purchased within 1 year prior to the claim, from the retailer that it was originally sold to.

2. Our guarantee covers problems caused by material or manufacturing defects, and will result in the repair of these defects or replacement of the device with a like for like or similar article. Please note that our devices have not been designed for use in commercial, trade or industrial applications. Consequently, the guarantee is invalidated if the equipment is used in commercial, trade or industrial applications or for other equivalent activities.

3. The following are also excluded from our guarantee:

A) Faults due to accidents, customer misuse, or unauthorized repairs

B) Consumable Parts such as spool

C) Failure due to lack of routine maintenance

D) Failure as a result of not using the equipment in accordance with the manual and safety instructions

4. The guarantee is valid for a period of 1 year starting from the purchase date of the device. Guarantee claims should be submitted before the end of the guarantee period within two weeks of the defect being noticed. No guarantee claims will be accepted after the end of the guarantee period. The original guarantee period remains applicable to the device even if repairs are carried out or parts are replaced. In such cases, the work performed or parts fitted will not result in an extension of the guarantee period, and no new guarantee will become active for the work performed or parts fitted. This also applies when an on-site Service is used.

5. Please keep your sales receipt in a safe place. If the defect is covered by our guarantee your device will either be repaired under the terms of guarantee or we will send you a replacement device. This device may be re-conditioned or Like for like replacement.