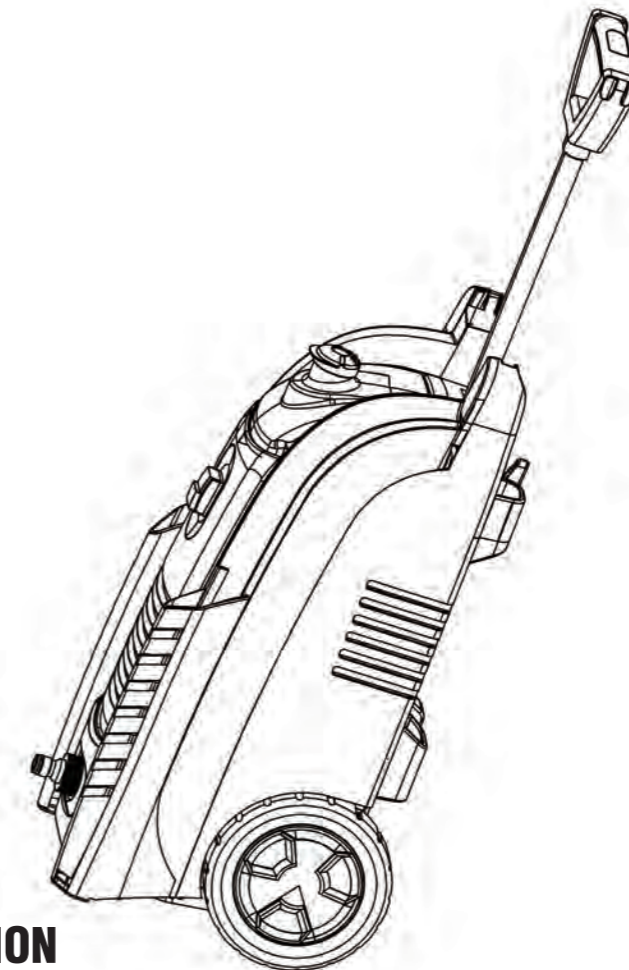


PowerG™

HIGH PRESSURE WASHER FB603-1



ⓘ CAUTION

Before using your high pressure washers, please read this manual carefully to understand the proper use of your unit. Keep this manual handy.

Sumec Europe GmbH
Hanns-Martin-Schleyer-Str. 18a
47877 Willich / Germany
Made in China

Customer Helpline
0844 856 0793



HIGH PRESSURE WASHER FB603-1

CONTENTS

Description of Symbols.....03

General Safety Instructions.....04

Description of Product Parts.....05

Scope of Delivery.....06

Intended Use.....06

Assembly.....06

Operation.....07

Application.....08

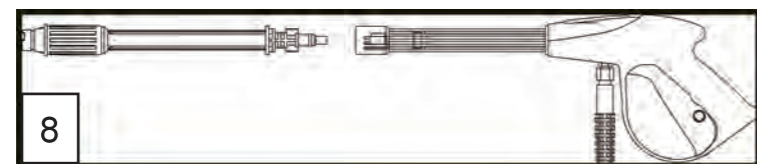
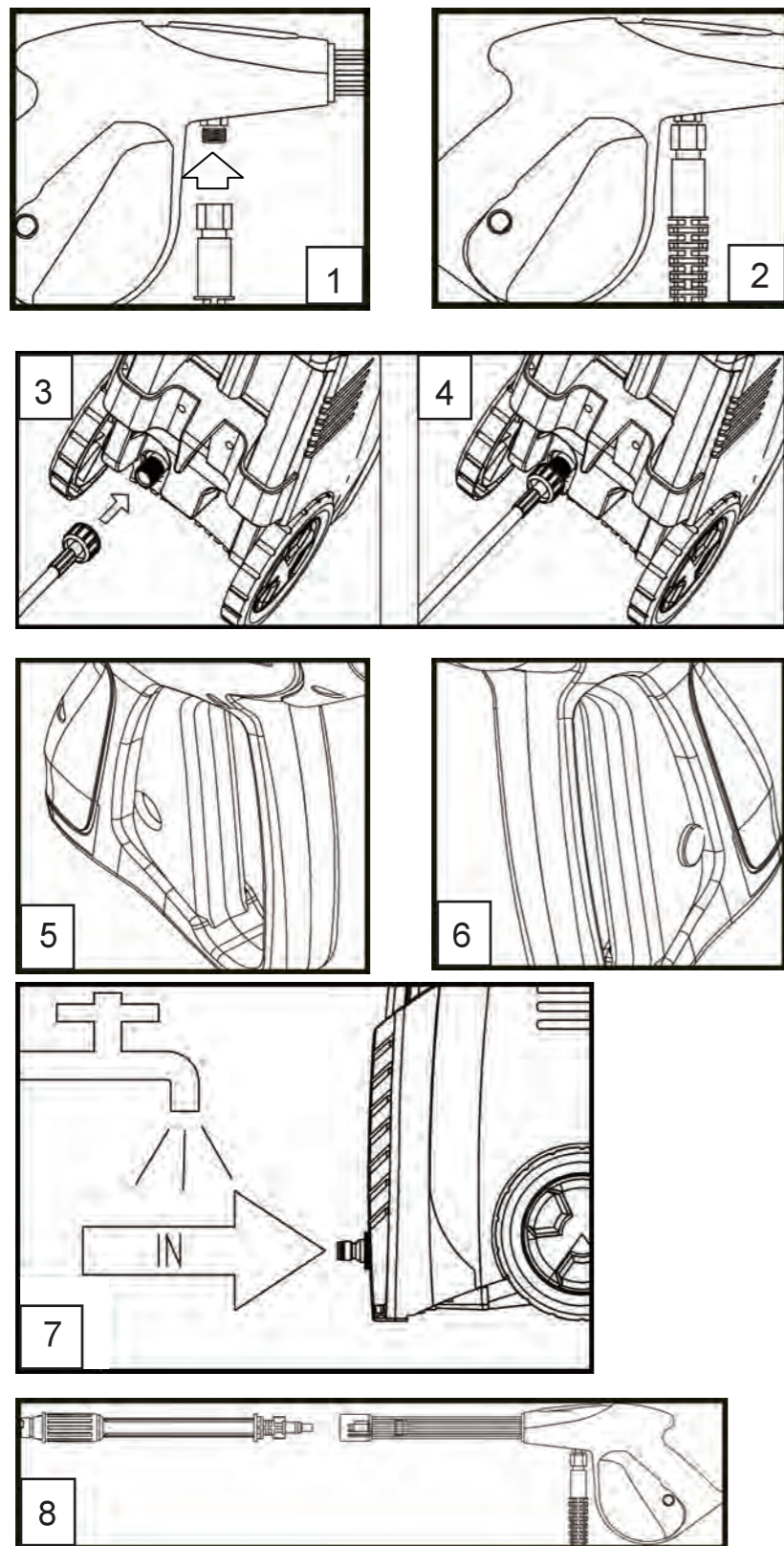
Technical Data.....09

Maintenance.....09

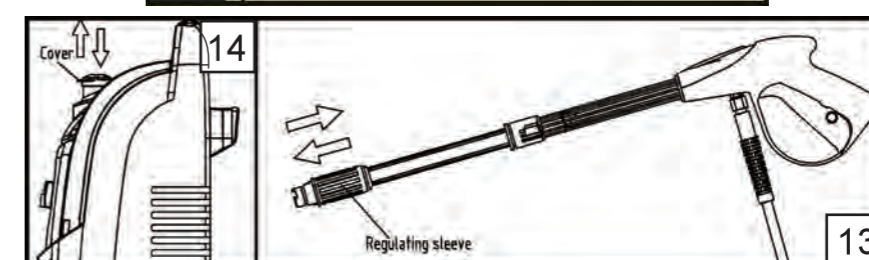
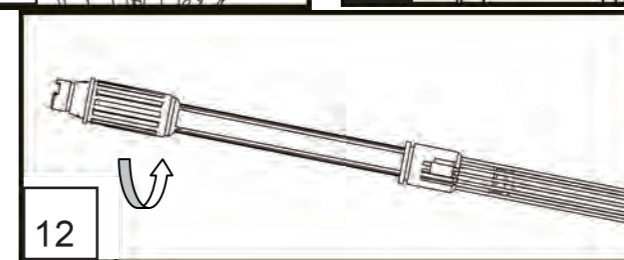
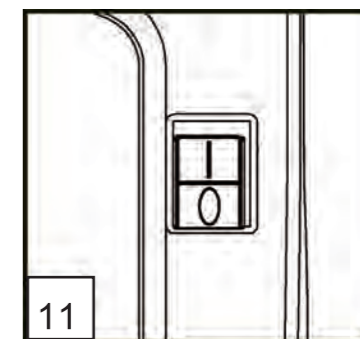
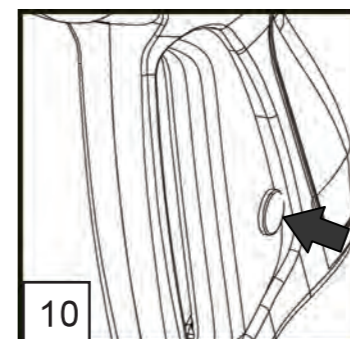
Guarantee and Service.....11

CE Declaration.....12

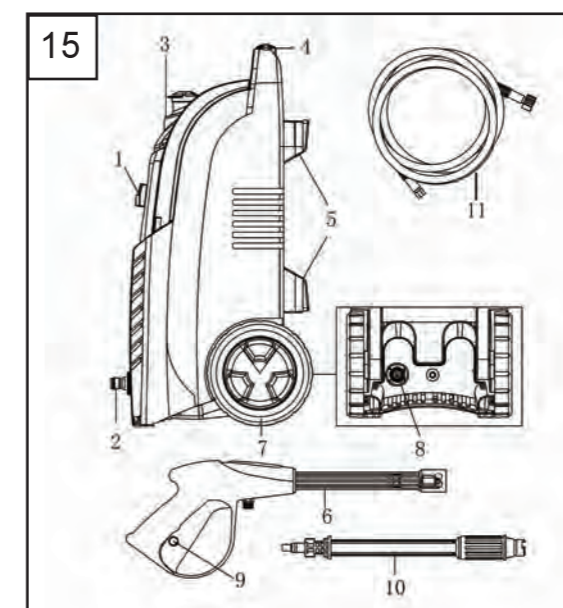
Assembly instructions



Assembly instruction



Parts description



DESCRIPTION OF SYMBOLS

**IMPORTANT**

Please read all of the safety and operating instructions carefully before using this tool. Please pay particular attention to all sections of this user guide that carry warning symbols and notices.

**Danger!**

This is a warning symbol. This symbol is used throughout the user guide whenever there is a risk of personal injury. Ensure that these warnings are read and understood at all times.



Wear eye and ear protections.



Pull out the power plug immediately if the cable is damaged, has been badly twisted or is completely cut through and in the event that the device is left unattended for a short time.



Never direct the water jet at people, animals, the unit or electric components.



Warning symbol: Appliance not suitable for connection to the potable water mains

Water that has flown through backflow preventers is considered to be non-potable. The appliance is not intended to be connected to the potable water mains. If necessary, please use only inlet hose-set approved by IEC 61770.

**Waste Disposal and Environmental Protection!**

Be environmentally friendly. Return the tool, accessories and packaging to a recycling centre when you have finished with them.

Electrical machines do not belong in domestic waste.

Take the equipment to a waste disposal site. The plastic and metal parts that are used can be separated out into pure grade, which allows recycling.

Notes on safety

This section deals with the basic safety regulations to be observed when working with the electric high pressure washer.

Read the following safety instructions to avoid damage or injury to persons or property.

GENERAL SAFETY INSTRUCTIONS

**WARNING!**

Before working with the equipment, familiarize yourself with all operating components. Practice handling the equipment and have the function, operation and working methods explained to you by an experienced user or specialist. Ensure that you can shut off the equipment immediately in an emergency. Inappropriate use of the device may result in serious injury.

- 1) **Observe all safety instructions!** Failure to do so may cause harm to you and others.
- 2) **Retain all instructions for use, and safety instructions for the future.**
- 3) **Children should be kept at a distance from the machine.** Keep the machine out of the way of children and other unauthorized persons.
- 4) **Always ensure that a machine which has been switched off cannot be restarted unintentionally.**
- 5) **All parts of the machine, especially safety devices, must be properly installed to ensure proper operation.**
- 6) **Retrofitting or making any unauthorized changes to the machine, as well as the use of unapproved parts are prohibited.**

**WARNING!**

The safety devices and personal protective equipments are for the protection of your own health and the health of others and they ensure fault-free operation of the equipment.

- 1) **Use only hoses, fittings and couplings supplied and recommended by the manufacturer.**
- 2) **Never carry the equipment by the cable and never carry the equipment by the hose.** Do not carry the equipment with your finger on the On/Off switch when it is connected to the mains.
- 3) **Remove the plug from the plug socket if you are not using the equipment, when transporting it or when it is left unattended, when checking the equipment, cleaning it or removing blockages, when undertaking cleaning or maintenance work or changing accessories, if the power or extension cable is damaged, after contact with foreign bodies, or in the event of abnormal vibration.**
- 4) **Do not attempt to repair the equipment yourself.** All work not indicated in these instructions is to be carried out only by service stations authorized by us.

- 5) **Do not carry the equipment by the cable.** Do not use the cable to pull the plug from the plug socket. Protect the cable against heat, oil and sharp edges.
- 6) **Do not use the equipment near flammable liquids or gases.** In case of non-observance, there is a risk of fire or explosion.
- 7) **Do not use the pressure washer if a supply cord, safety devices, hoses, switch or trigger gun is damaged.**
- 8) **If an extension cord is used, the plug and socket must be of watertight construction.** Inadequate extension cords can be dangerous.
- 9) **The operator or user is responsible for accidents or damages to other people or their property.**
- 10) **Store the equipment in a dry location and out of the reach of children.**
- 11) **Handle the equipment with care.** Keep the equipment clean for safer and more efficient working. Follow the maintenance directives.

Protection against Electric Shocks

- 1) **Ensure that the mains voltage matches the information of the label.**
- 2) **Where possible, connect the equipment only a plug socket with a leakage-current-operated circuit breaker, with a rated current of not more than 30 mA.**
- 3) **Protect the equipment against humidity.** The equipment must not become damp and is not to be operated in a damp environment.
- 4) **Before each use, check the equipment, power cable and plug for damage, avoiding body contact with grounded parts (e.g. metal fences, metal posts).**
- 5) **Protect the extension cord coupling from splashed water, ensuring that it is made of rubber or sheathed in rubber.** Use only extension cords that are designed for outdoor use and marked accordingly. The area of the flexible lead cross-section of the extension cord must be at least 1.0 mm². Always roll out a cable drum completely before use. Check the cable for damage.
- 6) **Keep the cable away from the field of action and run it out behind the operator.**
- 7) **Use the cable attachment device provided to fix the extension cord.**
- 8) **Damaged cables, coupling and plugs or connecting leads that are not compliant with specifications are not to be used.** Remove the plug from the plug socket immediately in case of damage or cutting through of the mains cable.
- 9) **Do not use the equipment when the switching action of the On/Off switch is impaired.** Have damaged switches replaced at our Service Centre.
- 10) **Do not overload your equipment.** Work only within the indicated range of performance. For heavy work, do not use a machine with insufficient power. Do not use your equipment for purposes other than those specified.

DESCRIPTION OF PRODUCT PARTS (FIG. 15)

1. On/Off switch
2. water inlet
3. built-in detergent bottle
4. retractable handle

5. cable/hose hook
6. trigger gun
7. wheel
8. water outlet
9. safety lock-off button
10. spray lance
11. hose

SCOPE OF DELIVERY

Carefully remove the machine from its packaging and check as the following parts are completed:

- high pressure washer
- 1 pc trigger gun
- 5m hose
- 1 pc spray lance
- 1 pc nozzle pin
- operating manual

If any parts are missing or damaged, please contact with your dealer.

INTENDED USE

The machine is intended for cleaning buildings, facades, terraces, footpaths, garden equipment, machinery, vehicles, tools, etc. with a high-pressure water jet. If required, you can also use the machine with added cleaning agents. The machine is not intended for industrial use. The machine must be operated in accordance with the details provided in these instructions. Any use of the machine that deviates from its intended use and is not included in these instructions is considered unauthorized use and relieves the manufacturer from his or her legal liability.

ASSEMBLY



WARNING!

Pull out the power plug before carrying out any work on the equipment, and use only original parts.

Fit the lance and spray gun.

Screw the end of the hose firmly onto the trigger gun. Tighten the screw with a 17mm spanner (not supplied). (Fig1, 2)

Connect the pressure hose and pressure washer. (FIG 3, 4)

Screw the hose (11) firmly onto water outlet (8) to make sure there is no water leak.

NOTE: Tighten the connector by hand only.

Water supply

The following accessories are required for connecting the machine (not included):

- a fabric-reinforced hose with a minimum diameter of ½ inches (13 mm)
- a commercially available coupling

Slip the water hose onto the coupling piece of the machine and connect it to the water tap. And then, connect the coupling with male coupler. (FIG 7)

**WARNUNG!**

The temperature of the incoming water supply must not exceed 60 °C.

Mains supply

Open the water inlet.

Insert the mains plug into the socket.

OPERATION

**WARNUNG!**

Wear suitable clothing, ears and eyes protecting when working with the equipment. Ensure that the equipment is functional before each use. Ensure that the mains voltage value matches the label on the equipment. Check the safe condition of the machine:

- Check it for visual defects.
- Check that all parts of the machine have been securely fitted.
- Check if the water connector and the high-pressure pipes are tight.

Starting and stopping

Note: put the high pressure washer on a level ground. Stand in a secure and stable position.

Starting:

- Open the water inlet.
- To switch the machine on, set the On/Off switch (1) to 1. (FIG 11).
- Press the safety lock-off button (9), and clutch the trigger. (FIG5, 6)

Stopping:

- Release the trigger, and replace the safety lock-off button (9).
- To switch the machine off, set the On/Off switch (1) to 0.
- Close the water inlet.

**Attention!****Risk of machine damage!**

Never operate the machine without water inlet as dry running may damage the pump. Use a water filter if the inlet water is contaminated.

Working with the Electric High pressure washer**Risk of serious or fatal injury!**

Use special care when cleaning tyres. Vehicle tyres/tyre valves may become damaged or burst when handled improperly. First signs of damage included discolorations on the tyre. Damaged vehicle tyres/tyre valves could pose a life-threatening risk. Keep the jet at a distance of at least 30 cm!

Risk of serious or fatal injury!

The high-pressure jet may be dangerous when handled improperly. The jet may not be directed towards living beings (persons, animals), live equipment or the machine itself.

APPLICATION

High pressure working.

Hold the hand-held spray gun and the jet tube firmly with both hands. Be aware of the recoil when switching on the high-pressure jet.

Press the safety lock-off button (9) and press the trigger on the handheld spray gun.

The high-pressure pump starts running as soon as you operate the hand-held spray gun.

The high-pressure pump stops running as soon as you release the trigger on the hand-held spray gun.

Switch the machine off when interrupting your work for extended periods of time.

Screwing the spray nozzle will change the shape of water flow, it is recommended to do this when the machine is off. (FIG 12)

Use the detergent bottle.

- Stop the machine.
- Only use detergent that is recommended for pressure washers.
- Add suitable detergent to the bottle. (FIG 14)
- Pull the nozzle out to use low pressure water. (FIG13)

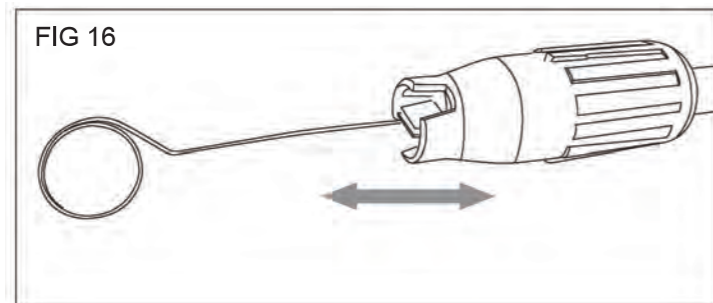
TECHNICAL DATA

Model	FB603-1
Input voltage rating	230V~240 V, 50 Hz
Input power	2000W
Working pressure	90bar
Max pressure	135bar
Flow rate	330L/H
Weight	8.5kg
Safety class	IPX5, II

MAINTENANCE

Overview of cleaning

Clean the machine. Wipe the unit with a slightly damp cloth. Do not clean the machine using a high-pressure water jet. Clean the high-pressure jet nozzle.(FIG 16)



Maintenance

The machine is maintenance-free.

Storing, transport

Storing

Store the machine where it is dry and well ventilated.

When placing the machine out of service for an extended period of time, remove the cleaning agent and drain all the water left in the hoses.

Transport

If shipping, use the original packaging wherever possible.

Disposal

Disposing of the machine

Machines which are labeled with the adjacent symbol must not be disposed of in household rubbish. You must dispose of such old electrical and electronic appliances separately.

Please check with your local authority about the possibilities for correct disposal. Through separate disposal you send old equipment for recycling or for other forms of re-use. You will thus help to avoid in some cases that damaging material gets into the environment.

Disposing of the packaging

The packaging consists of cardboard and correspondingly marked sheets that can be recycled. Make these materials available for recycling.

Troubleshooting

- 1) No power.
 - Check the plug socket, cable, line and plug, where appropriate, have repaired through electrical specialist.
 - Any of the parts are defective, such as On/Off switch / motor etc. (**contact our customer helpline 0844 856 0793**).

- 2) The high pressure washer operates intermittently.
 - Power cable is damaged.
 - Internal loose electrical connection.
 - On/Off switch defective (**contact our customer helpline 0844 856 0793**).

- 3) No or only little pressure is built up.
 - Check if there is any air in the system, if so, please ventilate the machine! Run the machine without the high-pressure hose connected until water starts leaking without bubbles. Re-attach the high-pressure hose.
 - Check all inlet pipes leading to the pump for leaks or clogs.
 - Check the setting on the hand-held spray gun.

- 4) Different pressure varieties.
 - Clean the high pressure jet nozzle
 - Check the water inlet pressure.

- 5) Detergent is not working.
- Detergent container is empty. Add more detergent.
 - Detergent bottle or suction tube not properly connected. Check connections.
 - Detergent is too thick. Dilute detergent.
 - Damaged or clogged detergent suction tube. Remove obstruction or replace detergent suction tube.
 - Nozzle is in high-pressure position. Use low pressure.
 - Discharge nozzle is obstructed. Blow out or remove debris with a fine needle
- 6) Machine is leaking.
- Please **contact our customer helpline 0844 856 0793**.

GUARANTEE AND SERVICE

After purchase date, a full 1 year guarantee applies to material and production defects. If the product shows defects as a result of material and production defects during the period of guarantee, we guarantee free repair on condition that: the product has been used properly and for the purpose for which it has been intended. The accessories are not covered by the guarantee.

If you have any problems or questions concerning the machine, please contact our **customer helpline 0844 856 0793**.

SUMEC

Declaration of Conformity

We
SUMEC Hardware & Tools Co., Ltd.
 198 ChangJiang RD., Nanjing, CHINA

Declare that the product

High pressure washer
Model No: FB603-1

Complies with the essential health and safety requirements of the following directives:

2004/108/EC ----EMC Directive
2006/95/EC ----Low Voltage Directive
98/37/EC ----Machinery Directive

Standards and technical specification referred to:

EN60335-1:2002+A1+A11+A12+A2+A13
EN62233:2008 **EN61000-3-2:2006**
EN60335-2-79:2009 **EN55014-2:1997+A1**
EN55014-1:2006 **EN61000-3-11:2000**

Authorized Signatory
 Date: 2010-01-06
 Signature: *Cai Ji Bo*
 Name: **Cai Ji Bo**
 General Manager
 SUMEC Hardware & Tools Co.,Ltd.



Doc 201000024/GT