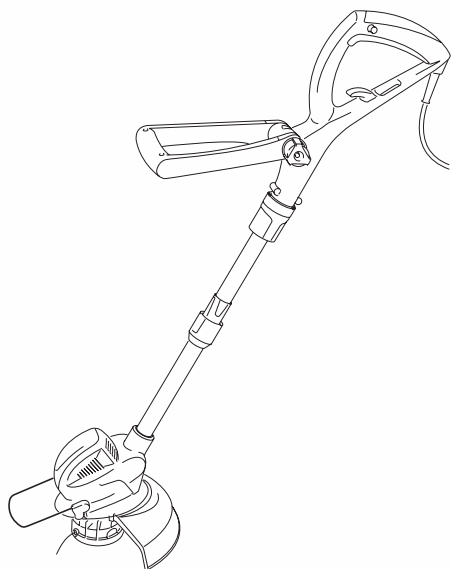


PowerG®

ELECTRIC GRASS TRIMMER N1F-GT-270/450-B



CE



Warning: Read this instruction manual carefully before using the product.

CAUTION

IMPORTANT! These instructions contain important information that will help you get the best from your grass trimmer ensuring it is assembled correctly and safely.

ORIGINAL INSTRUCTION MANUAL

PowerG[®]

ELECTRIC GRASS TRIMMER

| | |
|-----------------------------|----|
| General Safety Instructions | 1 |
| Intended Use | 7 |
| Assembly and Parts List | 7 |
| Operation | 9 |
| Technical Data | 13 |
| Maintenance and Storage | 14 |
| Disposal | 15 |
| Guarantee | 15 |
| CE-Description | 16 |

General Safety Instructions

1. This product is not intended for use by persons (including children) with reduced physical, sensory or mental capabilities, or lack of experience and knowledge, unless they have been given supervision or instruction concerning use of the product by a person responsible for their safety.
2. Children should be supervised to ensure that they do not play with the product.

Power tool safety warnings

WARNING!

Read all safety warnings and all instructions. Failure to follow the warnings and instructions may result in electric shock, fire and/or serious injury. Save all warnings and instructions for future reference.

The term "power tool" in the warnings refers to your mains-operated (corded) power tool or battery-operated (cordless) power tool.

Work area safety

- 1. Keep work area clean and well lit.** Cluttered or dark areas invite accidents.
- 2. Do not operate power tools in explosive atmospheres, such as in the presence of flammable liquids, gases or dust.** Power tools create sparks which may ignite the dust or fumes.
- 3. Keep children and bystanders away while operating a power tool.** Distractions can cause you to lose control.

Electrical safety

- 1. Power tool plugs must match the outlet.** Never modify the plug in any way. Do not use any adapter plugs with earthed (grounded) power tools. Unmodified plugs and matching outlets will reduce risk of electric shock.
- 2. Avoid body contact with earthed or grounded surfaces, such as pipes, radiators, ranges and refrigerators.** There is an increased risk of electric shock if your body is earthed or grounded.
- 3. Do not expose power tools to rain or wet conditions.** Water entering a power tool will increase the risk of electric shock.
- 4. Do not abuse the cord.** Never use the cord for carrying, pulling or unplugging the power tool. Keep cord away from heat, oil, sharp edges or moving parts. Damaged or entangled cords increase the risk of electric shock.
- 5. It is recommended for increased electrical safety that you use a Residual Current Device (RCD) with a tripping current of not more than 30mA. Always check your RCD every time you use it. This reduces the risk of an electric shock should the supply cable or plug become wet or is damaged.**
- 6. If an extension lead is used, ensure it is approved as suitable for outside use. Keep cables visible so they do not become damaged by other machines and cutting tools or cause a trip hazard.**

Personal safety

1. Stay alert, watch what you are doing and use common sense when operating a power tool.

Do not use a power tool while you are tired or under the influence of drugs, alcohol or medication. A moment of inattention while operating power tools may result in serious personal injury.

2. Use personal protective equipment. Always wear eye protection. Protective equipment such as dust mask, non-skid safety shoes, hard hat, or hearing protection used for appropriate conditions will reduce personal injuries.

3. Prevent unintentional starting. Ensure the switch is in the off-position before connecting to power source and/or battery pack, picking up or carrying the tool. Carrying power tools with your finger on the switch or energising power tools that have the switch on invites accidents.

4. Remove any adjusting key or wrench before turning the power tool on. A wrench or a key left attached to a rotating part of the power tool may result in personal injury.

5. Do not overreach. Keep proper footing and balance at all times. This enables better control of the power tool in unexpected situations.

6. Dress properly. Do not wear loose clothing or jewellery. Keep your hair, clothing and gloves away from moving parts. Loose clothes, jewellery or long hair can be caught in moving parts.

7. If devices are provided for the connection of dust extraction and collection facilities, ensure these are connected and properly used. Use of dust collection can reduce dust-related hazards.

Power tool use and care

1. Do not force the power tool. Use the correct power tool for your application. The correct power tool will do the job better and safer at the rate for which it was designed.

2. Do not use the power tool if the switch does not turn it on and off. Any power tool that cannot be controlled with the switch is dangerous and must be repaired.

3. Disconnect the plug from the power source and/or the battery pack from the power tool before making any adjustments, changing accessories, or storing power tools. Such preventive safety measures reduce the risk of starting the power tool accidentally.

4. Store idle power tools out of the reach of children and do not allow persons unfamiliar with the power tool or these instructions to operate the power tool. Power tools are dangerous in the hands of untrained users.

5. Maintain power tools. Check for misalignment or binding of moving parts, breakage of parts and any other condition that may affect the power tool's operation. If damaged, have the power tool repaired before use. Many accidents are caused by poorly maintained power tools.

6. Keep cutting tools sharp and clean. Properly maintained cutting tools with sharp cutting edges are less likely to bind and are easier to control.

7. Use the power tool, accessories and tool bits etc. in accordance with these instructions, taking into account the working conditions and the work to be performed. Use of the power tool for operations different from those intended could result in a hazardous situation.

Service

1. Have your power tools serviced by a qualified repair person using only identical replacement parts. This will ensure that safety of the power tool is maintained.

Electrically powered grass trimmers safety warnings

IMPORTANT
READ CAREFULLY BEFORE USE
KEEP FOR FUTURE REFERENCE

WARNING! When using the product the safety rules must be followed. For your own safety and that of bystanders please read these instructions before operating the product. Please keep the instructions safe for later use.

Training

1. Read the instructions carefully. Be familiar with the controls and the proper use of the product.
2. Never allow people unfamiliar with these instructions or children to use the product. Local regulations can restrict the age of the operator.
3. Keep in mind that the operator or user is responsible for accidents or hazards occurring to other people or their property.

Preparation

1. Never operate the product while people, especially children, or pets are nearby.
2. Wear eye protection and stout shoes at all times while operating the product.

Operation

1. Use the product only in daylight or good artificial light.
2. Never operate the product with damaged guards or shields or without guards or shields in place.
3. Keep hands and feet away from the cutting attachment at all times and especially when switching on the motor.
4. Before using the product and after any impact, check for signs of wear or damage and repair as necessary.
5. Always disconnect the product from the power supply (i.e. remove the plug from the power supply or the battery pack)
 - whenever leaving the product unattended;
 - before clearing a blockage;
 - before checking, cleaning or working on the product
 - after striking a foreign object;
 - whenever the product starts vibrating abnormally.
6. Take care against injury to feet and hands from the cutting attachment.
7. Always ensure that the air vents are kept clear of debris.
8. Take care against injury from any device fitted for trimming the filament line length, if applicable. After extending new cutter line always return the product to its normal operating position before switching on.
9. Never fit metal cutting elements.
10. Never use replacement parts or accessories not provided or recommended by the manufacturer.

11. The product should be supplied via a residual current device (RCD) with a tripping current of not more than 30 mA.
12. Position the cord so that it will not be caught by the cutting attachment during operation.

Maintenance and storage

1. Disconnect the product from the power supply (i.e. remove the plug from the power supply or the battery pack) and check for damage after use.
2. Disconnect the product from the power supply (i.e. remove the plug from the power supply or the battery pack) before carrying out maintenance or cleaning work.
3. Use only the manufacturer's recommended replacement parts and accessories.
4. Inspect and maintain the product regularly. Have the product repaired only by an authorised service centre or similar qualified specialist.
5. When not in use, store the product out of the reach of children.

Vibration and noise reduction

To reduce the impact of noise and vibration emissions, limit the time of operation, use low-vibration and low-noise operating modes as well as wearing appropriate personal protective equipment.

Take the following points into account to minimize the vibration and noise exposure risks:

1. Only use the product as intended by its design and these instructions.
2. Ensure that the product is in good condition and well maintained.
3. Use correct cutting attachments for the product and ensure they in good condition.
4. Keep tight grip on the handles/grip surface.
5. Maintain this product in accordance with these instructions and keep it well lubricated (where appropriate).
6. Plan your work schedule to spread any high vibration tool use across a longer period of time.

Emergency

Familiarize yourself with the use of this product by means of this instruction manual. Memorise the safety directions and follow them to the letter. This will help to prevent risks and hazards.

1. Always be alert when using this product, so that you can recognize and handle risks early. Fast intervention can prevent serious injury and damage to property.
2. Switch off and disconnect from the power supply if there are malfunctions. Have the garden power tool checked by a qualified professional and repaired, if necessary, before you operate it again.

Residual risks

Even if you are operating this product in accordance with all the safety requirements, potential risks of injury and damage remain. The following dangers can arise in connection with the structure and design of this product:

1. Health defects resulting from vibration emission if the product is being used over long periods of time or not adequately managed and properly maintained.
2. Injuries and damage to property due to broken cutting attachments or the sudden impact of

hidden objects during use.

3. Danger of injury and property damage caused by flying objects.

WARNING! This product produces an electromagnetic field during operation! This field may under some circumstances interfere with active or passive medical implants! To reduce the risk of serious or fatal injury, we recommend persons with medical implants to consult their doctor and the medical implant manufacturer before operating this product!

Symbols



Read the instruction manual.



Wear hearing protection.



Wear eye protection.



Wear respiratory protection.



Wear protective gloves.



Wear protective footwear.



Remove plug from mains before cleaning or maintenance



Remove plug from the mains immediately if the cable is damaged or cut.
Switch the product off and disconnect it from the power supply before assembly, cleaning, adjustments, maintenance, storage and transportation.
Do not expose the product to rain or wet conditions.



Objects thrown by the product could hit the user or other bystanders. Always ensure that other people and pets remain at a safe distance from the product when it is in operation. In general, children must not come near the area where the product is.



Inspect the area where the product is to be used and remove all objects which can be thrown by the product. If objects are hidden while operating stop the engine and

remove the object.



Keep other people out of working area during operation.



A distance of at least 15 m must be observed.

Warning! Cutting device continues to rotate after the motor is switched off.



Guaranteed sound power level



This product is of protection class II.

That means it is equipped with enhanced or double insulation.



The product complies with the applicable European directives and an evaluation method of conformity for these directives was done.



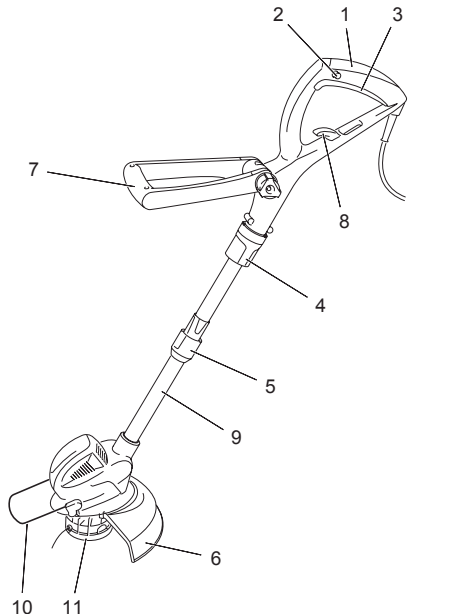
WEEE symbol. Waste electrical products should not be disposed of with household waste. Please recycle where facilities exist. Check with your Local Authority or local store for recycling advice.

Intended Use

1. This electric grass trimmer N1F-GT-270/450-B is designated with a rated power input of 450 Watts.
2. The product is intended for cutting weed, grass or similar soft vegetation in areas that are hard to reach, e.g. under bushes, on slopes and edges. It should not be used to cut extra thick, dry or wet grass, e.g. pasture grass, or to shred leaves.
3. For safety reasons it is essential to read the entire instruction manual before first operation and to observe all the instructions therein.
4. This product is intended for private domestic use only, not for any commercial trade use. It must not be used for any purposes other than those described.

Assembly and Parts List

Parts List



- | | |
|-----------------------------|----------------------------|
| 1. Handle | 2. Locking knob |
| 3. On / Off switch | 4. Lock (angle adjustment) |
| 5. Lock (length adjustment) | 6. Protective shield |
| 7. Front handle | 8. Fixing (mains cable) |
| 9. Telescopic rod | 10. Safety bar |
| 11. Cord spool | |

Scope of Delivery

Carefully remove the machine from its packaging and check that the following parts are enclosed:

- grass trimmer
- safety guard
- operating manual Front handle
- 4pcs screws

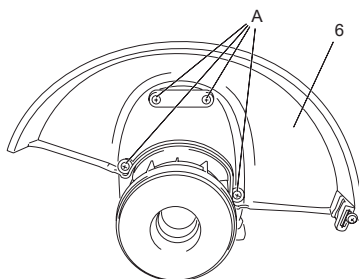
If any parts are missing or damaged, please contact with your dealer.

Assembly



WARNING!

Disconnect the plug from the power before carrying out any work on the equipment, and use only original parts.

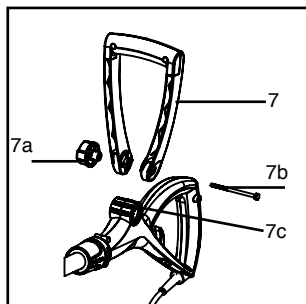


1 Fit the safety guard

Fit the safety guard (6) with 4 pcs screws(A).

2 Front handle

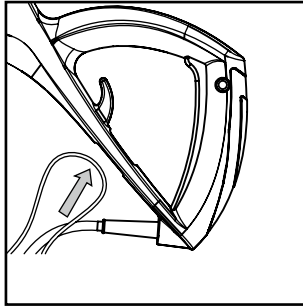
1. Loosen the knob (7a) and remove it together with the bolt (7b) from the auxiliary handle (7).
2. Align the auxiliary handle (7) to the support (7c) and place it onto it.
3. Insert the bolt (7b) from the right through the opening. Ensure that the bolt head sits properly in the hex-shaped opening in the support (7c) and secure the connection tightening the knob (7a)



3 Connection to the power supply



WARNING! Before operating the line trimmer, ensure that the fastening elements are undamaged. In order to avoid injury, always switch off the motor and pull out the mains plug from the socket before starting this task.



The line trimmer can be connected to any socket (with 230-240V alternating current). Always use the appliance via a Residual Current Device (RCD) with a tripping current of max. 30mA

OPERATION



WARNING!

Do not use the equipment without the safety guard. Wear suitable clothing, work gloves, ear and eye protection when working with the equipment. Ensure that the equipment is functional before each use. The On/Off switch and the safety switch must not be held closed. They must switch off the motor when on is released. Should a switch be damaged, stop working with the equipment. Ensure that the mains voltage value matches the label on the equipment.

Starting and stopping

Note: Hold the grass trimmer away from yourself using both hands. Stand in a secure and stable position.

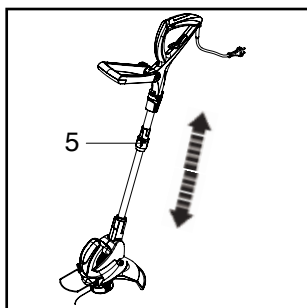
Starting: Press the switch locking knob and press the switch (2) on. Release the switch locking knob.

Stopping: switch locking knob(2)

Switching off the product

Adjust the pole length to fit your body height.

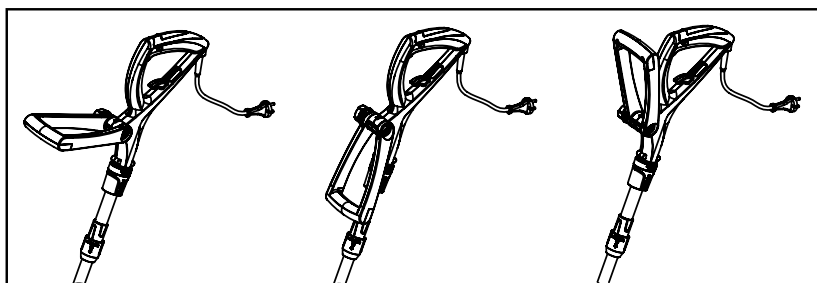
- Loosen the locking sleeve (5) clockwise
- Pull the pole (9) out or push it together to adjust the desired length.
- Tighten the locking sleeve (5) counter clockwise.



Handle adjustment

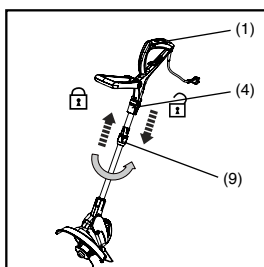
Adjust the angle of the front handle (7) to ease operation and prevent loss of control.

1. Loosen the knob (7a) and move the handle (7) up or downward.
2. Tighten the knob (7a) to secure the auxiliary handle (7) in the adjusted position.



Angle adjustment

Adjust the trimmer head to either 0° for trimming or 180° for edging.



1. Slide the locking sleeve (4) downward and turn the handle (1) clockwise while holding the

pole (9) to adjust the trimmer head to an angle of 180°. Ensure the locking sleeve (4) snaps into place.

Adjust the trimmer head to either 180° for trimming or 0° for trimming.

2. Slide the locking sleeve (4) downward and turn the handle (1) counter-clockwise while holding the pole (9) to adjust the trimmer head to an angle of 0°. Ensure the locking sleeve (4) snaps into place.



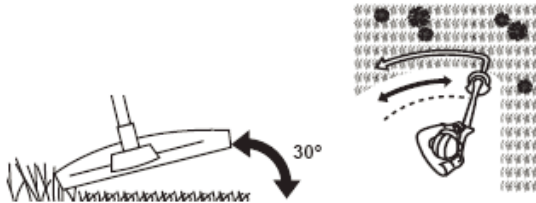
WARNING! Always ensure that the sleeve snaps into place after adjusting the handle in one of the end positions! Never adjust to an intermediate position!

Line feeding

1. Press the lock-off button and on/off switch to start the product.
2. Bump the working head on a flat surface.

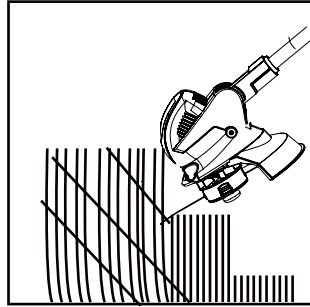
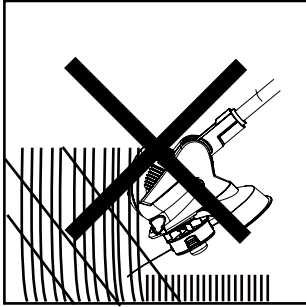
Trimming

1. Ensure the knife protector is removed before use
2. Adjust the trimmer head angle to 0° for trimming operation.
3. Hold the product firmly with a gap between the product and your right side.
4. Stand upright, do not lean forward and pay attention to posture. Keep both feet apart to help retain your balance.
5. Hold the trimmer head just above the ground at an angle of approximately 30°.
6. Move the product with a slow regular arc from left to right before moving it back to the starting position before trimming the next area.



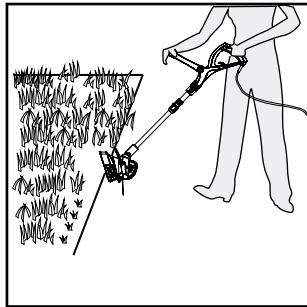
7. Ensure the cutting device remains clean and free from off-cuts that may cause it to jam. Check regularly. Release the on/off switch and disconnect the product from the power supply before checking

8. For the best results, cut longer grass in steps.



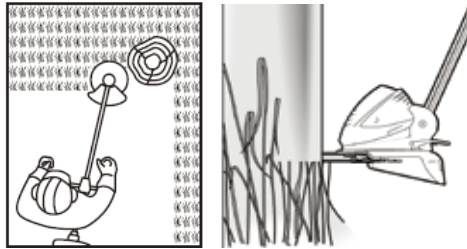
Edging

1. Ensure the knife protector is removed before use
2. Fold the plant protector out.
3. Adjust the trimmer head angle to 180° for edging.



Tips

1. For best results, do not cut wet grass because it tends to stick to the cutting head and guard, prevents proper discharge of grass trimmings, and could cause you to slip and fall.
2. Do not allow the spool cover to drag on the ground or other surfaces.
3. Pay special attention when performing the work close to trees and bushes. The cutting head could damage sensitive bark, and damage fence posts.
4. Fold the plant protector out to avoid bringing the cutting device into contact with hard objects such as walls and kerbstones.



NOTE: The trimming line will wear faster and require more feeding if the cutting or edging is done along sidewalks or other abrasive surfaces or heavier weeds are being cut.

After use

1. Switch the product off, disconnect it from the power supply and let it cool down.
2. Fold the plant protector in.
3. Check, clean and store the product as described below.

Technical data

| | |
|----------------------------|---|
| Model | N1F-GT-270/450-B |
| Input voltage rating | 230 V -240 V~/50 Hz |
| Input power | 450 W |
| No-load speed | 10000 min ⁻¹ |
| Weight | 2.3 Kg |
| Cutting width/line dia. | 270 mm/1.4mm |
| Safety class | II |
| Sound pressure level (LpA) | 82,3 dB(A) ,K _{pA} =1,0dB(A) |
| Power sound level (LwA) | 96 dB(A), |
| Vibration | 2.87 m/s ² ,K=1,5 m/s ² |

Maintenance

- 1) Check over obvious defects such as loose, dislodged or damaged blade, loose fixings and worn or damaged components.
- 2) Check that the guards are undamaged and correctly fitted. Carry out necessary maintenance or repairs before using.
- 3) Do not use the unit if the blades are blunt or worn. This will overstress the motor and gearbox of the machine.

Cleaning / storage

Clean the exterior of the machine thoroughly using a soft brush and cloth after each use. Do not use water, solvents or polishes. Remove all debris etc.

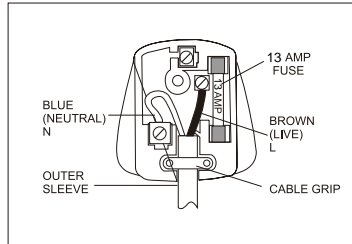
Store the machine in a secure, dry place out of the reach of children.

Do not place other objects on top of the machine.

Troubleshooting

- 1) No power.
 - Check the plug socket, cable, line and plug, where appropriate, have repaired through electrical specialist.
 - Any of the parts are defective, such as On/Off switch / motor etc. (please contact service agent).
- 2) The hedge trimmer operates intermittently.
 - Any of the two handle switches are defective (please contact service agent).
 - Power cable is damaged.
 - Internal loose electrical connection.
 - On/Off switch defective (please contact service agent).
- 3) Motor runs but trimming line remains stationary.
 - Internal fault (please contact service agent).
- 4) The trimming line is not working.
 - Remove any grass / blockage from spool
 - Is the line damaged – Inspect spool , rewind if necessary or replace
 - If the line does not bump feed - Is the spool empty? – Replace cutting line
 - Is the line tangled – Rewind the spool or replace the spool

Plug Replacement



Your grass trimmer is fitted with a moulded plug. However If you need to replace a fitted plug then follow the instructions below.

IMPORTANT

The wires in the mains lead are coloured in accordance with the following code:

Blue - Neutral Brown – Live

As the colours of the wires in the mains lead of this appliance may not correspond with the coloured markings identifying the terminals in your plug, proceed as follows.

The wire which is coloured blue must be connected to the terminal which is marked with N

The wire which is coloured brown must be connected to the terminal which is marked with the letter L

If a 13AMP (BS1363/A) plug is used, a 13A fuse must be fitted, or if any other type of plug is used a 13AMP fuse must be fitted, either in the plug or adapter, or on the distribution board.

Note: If a moulded plug is fitted and has to be removed take great care in disposing of the plug and severed cable, it must be destroyed to prevent engaging into a socket. If the supply cord is damaged it must be replaced by a service agent or a similarly qualified person in order to avoid hazard.

CE-Description

SUMEC

Declaration of Conformity

We

SUMEC Hardware &Tools Co.,Ltd.
198 ChangJiang RD .,Nanjing, CHINA

And our branch office

Sumec UK Co., Ltd.

Unit A&B, Escrick Business Park,
Escrick, York YO19 6FD

Declare that the product

Grass Trimmer

Model No:N1F-GT-270/450-B

Complies with the essential health and safety requirements of the following directives:

2004/108/EC ---EMC Directive
2006/95/EC ---Low Voltage Directive
2000/14/EC ---Outdoor Noise Directive
2006/42/EC ---Machinery Directive
2011/65/EU ---ROHS

Standards and technical specification referred to :

EN 60335-2-91:2003;
EN 62233:2008
PrEN 60335-2-91:2007+FprAA:2009;
EN 786:1996+A2:2009;
EN 60335-1:2002+A11:2004+A1:2004+A12:2006+A2:2006+A13:2008+A14:2010;
EN 61000-3-3:2008;
EN 61000-3-2:2006+A1:2009+A2:2009
EN 55014-1:2006/+A1:2009
EN 55014-2:1997+A1:2001+A2:2008;

Authorized Signatory

Date: 2013-12-13

Signature: *Cai Ji Bo*

Name: Cai Ji Bo

General Manager

SUMEC Hardware & Tools Co.,Ltd.



