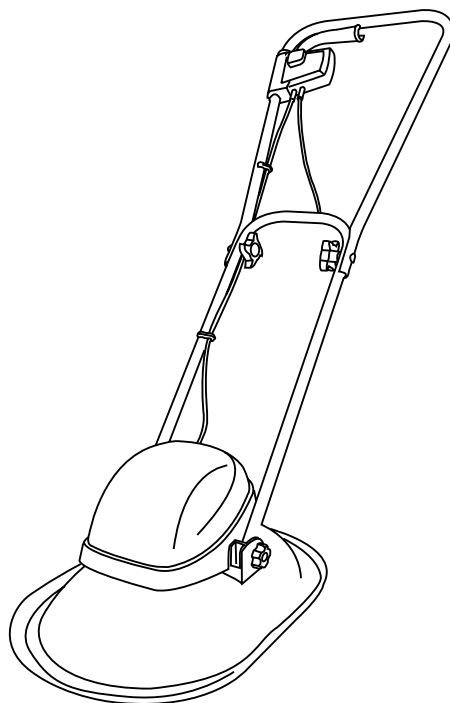


# *challenge*<sup>®</sup>

## **1000W Hover Mower**



**N1F-HM-280/1000-A**



**OPERATING INSTRUCTIONS**

## ORIGINAL INSTRUCTIONS

### INTRODUCTION

Thank you for purchasing a CHALLENGE hover mower.

We hope you are completely satisfied with your new product and hope you will enjoy using this tool for many years.

Your N1F-HM-280/1000-A Hover mower has been designed for trimming grass and is intended for DIY use only.

### GENREARL SAFETY WARNINGS



#### WARNING!

If not used properly this lawnmower can be dangerous! This lawnmower can cause serious injury to the operator and others, the warnings and safety instructions must be followed to ensure reasonable safety and efficiency in using this lawnmower. The operator is responsible for following the warnings and safety instructions in this manual and on the lawnmower. Never use the mower unless the guards provided by the manufacturer are in the correct position.

1. Never allow children or people unfamiliar with these instructions to use the mower. Local regulations may restrict the age of the operator.
2. Only use the lawnmower in the manner and for the functions described in these instructions.
3. Never operate the lawnmower when you are tired, ill or under the influence of alcohol, drugs or medicine.
4. The operator or user is responsible for accidents or hazards occurring to other people or their property.

### ADDITIONAL SAFETY INSTRUCTIONS FOR ELECTRICAL

1. The British Standards Institute recommends the use of a Residual Current Device (R.C.D.) with a tripping current of not more than 30mA. Even with a R.C.D. installed 100% safety cannot be guaranteed and safe working

practice must be followed at all times. Check your R.C.D. every time you use it.

2. Before use, examine cable and replace it if there are signs of damage or ageing.
3. Do not use the lawnmower if the electric cables are damaged or worn.
4. Immediately disconnect from the mains electricity supply if the cable is cut, or the insulation is damaged. Do not touch the electric cable until the electrical supply has been disconnected. Do not repair a cut or damaged cable. Replace it with a new one.
5. If you need to use an extension cable it must be marked as suitable for outdoor use. For extension cables over 15 meters, use a wire cross section of 1.5mm. For extension cables over 15 meters and less than 40 meters, use a wire cross section of 2.5mm. The outdoor extension cable should not be lighter than the type H05VV-F or H05RN-F.
6. Keep cable away from lawnmower; always work away from the power point mowing up and down, never in circles.
7. Do not pull cable around sharp objects.
8. Always switch off at the mains before disconnecting any plug, cable connector or extension cable.
9. Switch off, remove plug from mains and examine electric supply cable for damage or ageing before winding cable for storage. Do not repair a damaged cable; replace it with a new one. Use only 2x1.0 replacement cable.
10. Always wind cable carefully, avoiding kinking.
11. Never carry the product by the cable.
12. Never pull on the cable to disconnect any of the plugs.
13. Use only on AC mains supply voltage shown on the product rating label.
14. Our products are double insulated to EN60335. Under no circumstance should an earth be connected to any part of the product.

#### Preparation

1. While using your product always wear suitable footwear and long trousers.
2. Make sure the lawn is clear of sticks, stones, bones, wire and other debris; they could be thrown by the blade.
3. Before using the machine and after any impact, check for signs of wear or damage and repair as necessary.
4. Replace worn or damaged blades together with their fixings in sets to preserve balance.

## 1000W HOVER MOWER

## ORIGINAL INSTRUCTIONS

### ADDITIONAL SAFETY INSTRUCTIONS FOR HOVER MOWER

1. Use the lawnmower only in daylight or good artificial light.
2. Avoid operating your lawnmower on wet grass, where feasible.
3. Take care on wet grass, you may lose your footing.
4. On slopes, be extra careful of your footing and wear non-slip footwear.
5. Mow across the face of slopes, never up and down.
6. Exercise extreme caution when changing direction on slopes. Walk, never run.
7. Mowing on banks and slopes can be dangerous. Do not mow on banks or steep slopes.
8. Do not walk backwards when mowing, you could trip.
9. Never cut grass by pulling the mower towards you.
10. Switch off before pushing the mower over surfaces other than grass.
11. Never operate the lawnmower with damaged guards or without guards in place.
12. Keep hands and feet away from the blades at all times and especially when switching on the motor.
13. Do not tilt lawnmower when the motor is running, except when starting and stopping. In this case, do not tilt more than absolutely necessary and lift only the part which is away from the operator. Always ensure that both hands are in the operating position before returning the appliance to the ground.
14. Never pick up or carry a mower when it is operating or still connected to the mains supply.
15. Remove the plug from the mains :
  - before leaving the mower unattended for any period;
  - before clearing a blockage; - before checking, cleaning or working on the appliance;
  - if you hit an object. Do not use your lawnmower until you are sure that the entire lawnmower is in a safe operating condition.
  - if the lawnmower starts to vibrate abnormally. Check immediately. Excessive vibration can cause injury.

## 1000W HOVER MOWER

#### Maintenance and storage

1. Keep all nuts, bolts and screws tight to be sure the lawnmower is in safe working condition.
2. Replace worn or damaged parts for safety.
3. Only use the replacement blade, blade bolt, spacer and impeller specified for this product.
4. Be careful during adjustment of the lawnmower to prevent entrapment of the fingers between moving blades and fixed parts of the machine.



#### Important

The hover mower must not be used to trim bushes, hedges and shrubs, to cut or shear climbing plants or lawns on roof gardens or in balcony boxes or to clean footpaths, nor must it be used as a chopper for shredding tree or hedge cuttings. Furthermore, the hover mower must not be used as a cultivator or to level off uneven areas of ground, e.g. molehills.

## ORIGINAL INSTRUCTIONS

### SYMBOLS

Symbols are used in this manual to attract your attention to possible risks. The safety symbols and the explications which accompany them must be perfectly understood. The warning themselves do not prevent the risks and can not be a substitute for proper methods of avoiding accidents.



Warning!



Read the user instructions carefully to make sure you understand all the controls and what they do.



Wear eye protection.



Wear ear protection.



Wear protective gloves.



Wear safety shoes.



Always keep the lawnmower on the ground when mowing. Tilting or lifting the lawnmower may cause stones to be thrown out.



Keep bystanders away. Do not mow whilst people especially children or pets are in the mowing area.



Do not mow in the rain or leave the lawnmower outdoors while raining.



Switch off! Remove plug from mains before adjusting, cleaning or if cable is entangled or damaged. Keep the cable away from the blade.



Beware of severing toes or hands.



STOP

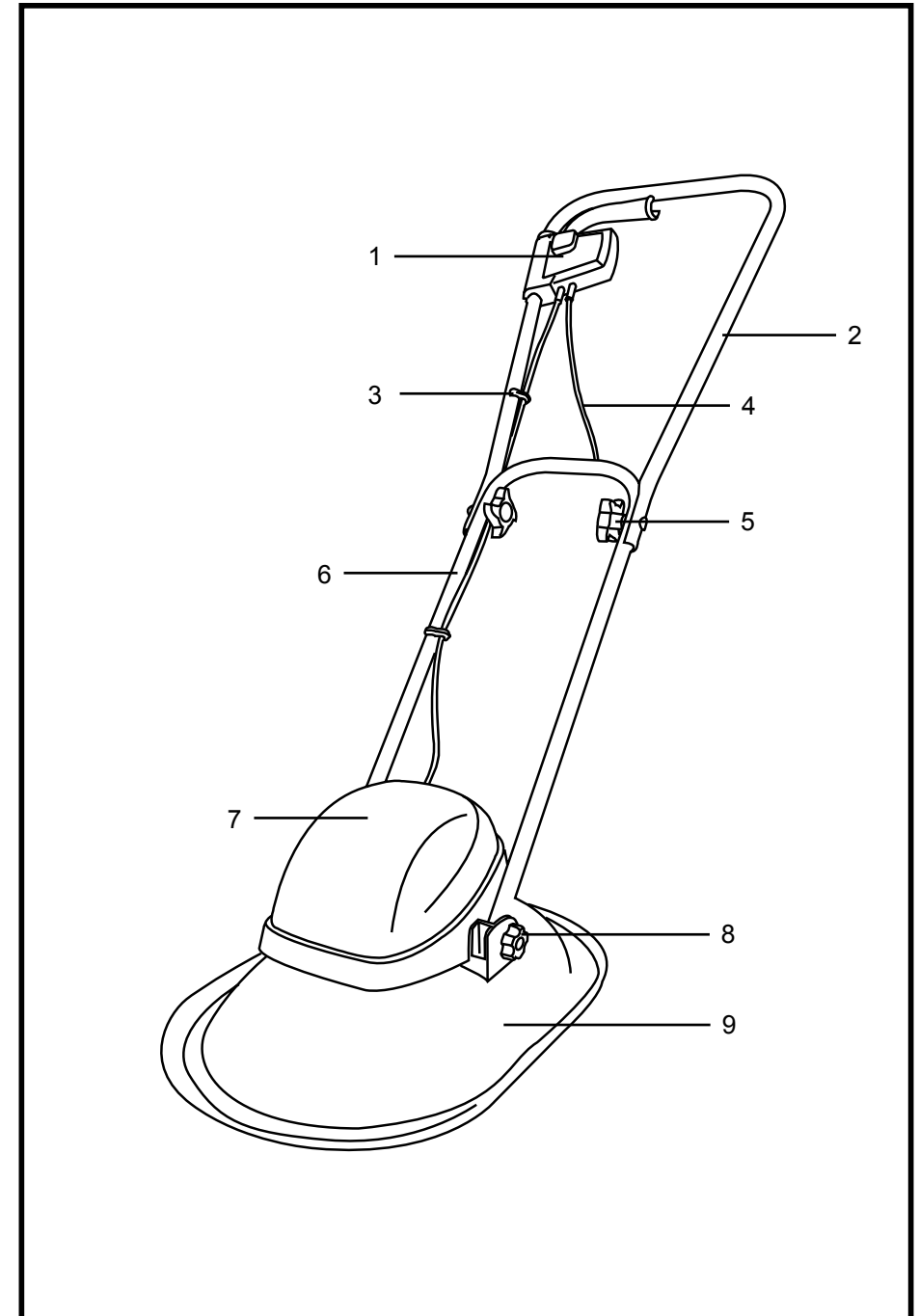
Do not put hands or feet near a rotating blade. Blade continues to rotate after the machine is switched off. Wait until all machine components have completely stopped before touching them.



This is a class II appliance and does not require an earth connection.

## 1000W HOVER MOWER

## ORIGINAL INSTRUCTIONS



## 1000W HOVER MOWER

## ORIGINAL INSTRUCTIONS

1. Switch Box
2. Upper Handle
3. Cable Clip
4. Mains Cable
5. Handle Clamp
6. Lower Handle
7. Motor Housing
8. Lower Handle Securing Bolt
9. Mower Deck

**1000W HOVER MOWER**

## ORIGINAL INSTRUCTIONS

### OPERATION INSTRUCTIONS

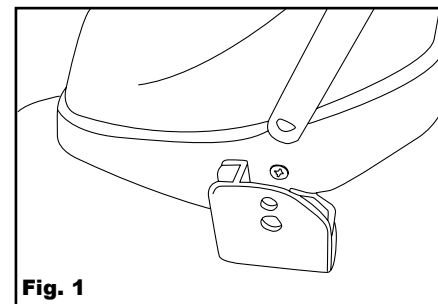


Note: Before using the tool, read the instruction book carefully.

### ASSEMBLING YOUR HOVER MOWER

Before you can use your hover mower, you will need to attach the handle to main body of the mower.

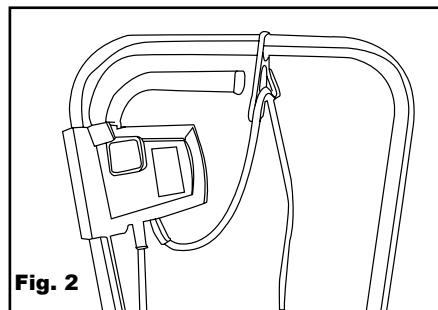
1. To attach the lower handle insert it into the slots on either side of the cutter deck (see Fig.1). Make sure that the holes in the handle are lined up with the holes in the mower deck.



2. Push the handle fixing bolts through the lower handle holes and into the threaded hole in the mower deck, then turn the fixing bolt in a clockwise direction by hand to secure the handle to the mower. You may find it difficult to fit the screw end into the threaded hole.

#### Fitting the upper handle

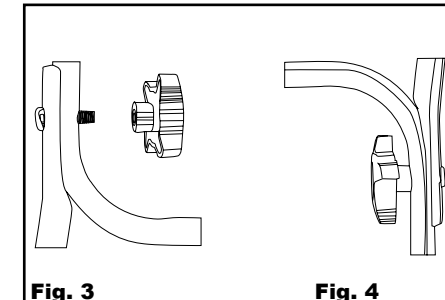
1. To fit the upper handle first slide the cable restraint up and over the handle (see Fig. 2).



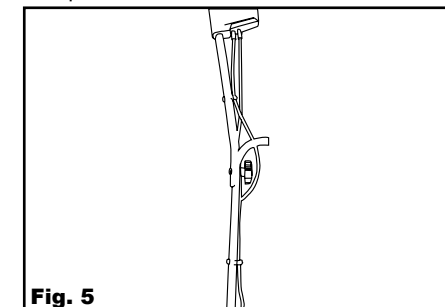
**1000W HOVER MOWER**

2. Attach the upper handle to the lower handle with the safety button on the switch box facing up. You will have to flex the upper handle slightly to fit it over the lower handle.

3. Line up holes and secure together using the handle clamp wheels, washers and bolts as (see Fig.3 and 4). Tighten the clamps by hand.



4. Fit the cables clips (see Fig.5). The clips should all be fitted on the same side as the power lever. Fit one clip above the handle clamp and two below.

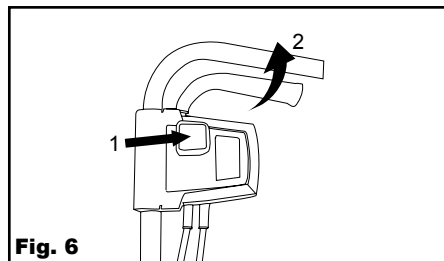


## ORIGINAL INSTRUCTIONS

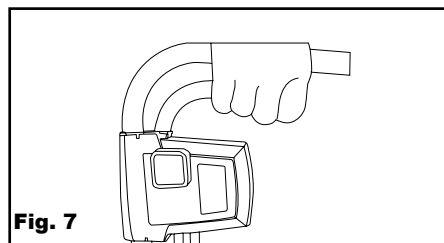
### USING YOUR HOVER MOWER

#### Switch the hover mower on and off

1. Slightly tilt the hover mower to the side before starting it, so that the blade can reach full speed before touching the grass. Press and hold the safety button and squeeze the power lever at the same time (see Fig.6).



2. Once the motor has started release the safety button but carry on holding the power lever while you are mowing (see Fig.7). Lower the tilted side until the hover mower body is flat.



3. Release the power lever when you wish to switch the hover mower off and the motor will stop. The blades will continue to rotate for a few seconds after the motor has stopped.

#### Adjusting the cutting height



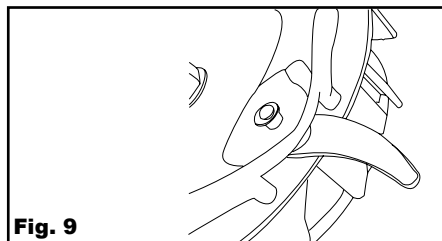
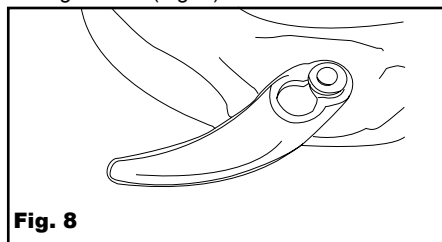
#### Warning!

**Make sure that the hover mower is switched off and unplugged before attempting to adjust the cutting height.**

**Caution! Do not touch rotating blade.**

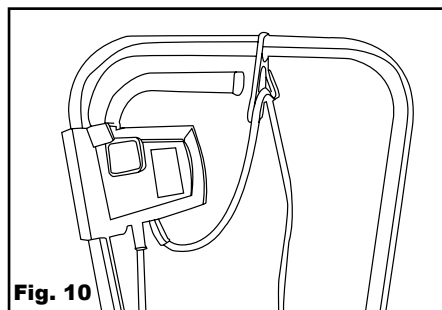
1. Turn the hover mower over and remove the blades (see replacing the blades).

2. Fit the blades onto the blade holder pegs on the upper side of the blade holder for the lowest cut (Fig. 8) or onto the lower side for the highest cut (Fig. 9).



#### Using the cable restraint

Before plugging in the hover mower slide the power cable through the cable restraint (see Fig.10).



This is an important safety device, it will prevent too much pressure being put on the cable connections. Do not operate the hover mower without the cable restraint.

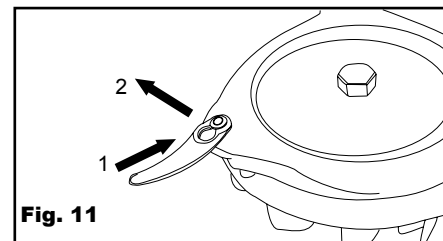
**1000W HOVER MOWER**

## ORIGINAL INSTRUCTIONS

### REPLACING THE BLADES

Always unplug the hover mower before removing or refitting the blades.

1. Turn the hover mower over so you can see the blade holder. The blades have a keyhole shaped slot as shown in (Fig. 11). To remove a blade push it towards the larger end of the blade upwards. You will have to push the blade quite hard before it moves.



2. Before fitting a new blade, clean the blade holder pegs. To fit a new blade, place the larger end of the keyhole slot over the blade holder peg and then pull the blade outwards until the peg is fitted into the smaller end of the keyhole slot. You will have to pull the blade quite hard before it moves.

3. Ensure the blades are secure before using the hover mower.

**1000W HOVER MOWER**

### MAINTENANCE

#### General maintenance

- Make sure that all nuts, bolts and screws are tight and secure.
- If there are any damaged or worn parts have them replaced immediately.
- Check the blades and the blade holder securing bolt regularly. If any of the blades are worn or damaged replace all three blades to preserve balance.
- Your hover mower should be inspected and maintained by qualified service personnel.
- Ensure that only replacement blades of the correct type are used.

#### Cleaning

- To ensure the best performance from the hover mower, it must be kept clean and air passageways should be kept clear.
- Clean the hover mower immediately after use.
- Make sure the blades are kept clean and clear of obstructions.
- Do not allow grass cutting to become dry and hard on any of the hover mower surfaces as this directly affects cutting performance.
- Make sure the underside of the hover mower is clean and clear of all grass cuttings.
- Make sure that grass cuttings are removed from under the motor hood regularly. Especially at the end of the cutting season. Remove the motor hood and remove any grass cuttings or debris from the motor filter and air passageways. Replace the motor hood before use.

#### Storage

Once the hover mower has been thoroughly cleaned store it in a clean, dry place out of the reach of children.



#### IMPORTANT!

**Use only manufacturer's recommended replacement parts and accessories only.**

## ORIGINAL INSTRUCTIONS

### TROUBLESHOOTING

#### If you hover mower fails to operate:

1. Check that the power is on.
2. Check that the correct starting procedure is being followed. See switch the hover mower on and off.
3. Check the fuse in the plug. If you replace the fuse and it immediately blows again disconnect immediately and return your product to the Powerbase store where it was purchased.

#### If you experience poor flotation:

1. Disconnect from the mains electricity supply.
2. Clean the underside of the hood and fan blades.
3. Raise to a higher height of cut. See adjusting the cutting height.

4. If poor flotation persists:
  - Check that the power is on.
  - Check the fuse in the plug. If you replace the fuse and it immediately blows again disconnect immediately and return your product to the store where it was purchased.


#### If you experience excessive vibration:

1. Disconnect from the mains electricity supply.
2. Check that the blade is fitted correctly.
3. If the blade is damaged or worn, replace it with a new one.
4. If vibration persists, turn the blade through 180° by first loosening the blade bolt, turning the blade and re-tightening the blade bolt.
5. If vibration persists:
  - Disconnect immediately and return your product to the store where it was purchased.

### TECHINICAL DATA

Model No.	N1F-HM-280/1000-A
Rated Voltage	230V~240V AC 50Hz
Input power	1000W
No load speed	7000 min <sup>-1</sup>
Cutting width	280 mm
Cutting height	2 Pos. 10/20 mm
Blades	Plastic (Nylon)
IP Class	IPX4
Weight	5.7 kg

### NOISE AND VIBRATION DATA

A weighted sound pressure	84dB(A) K <sub>PA</sub> : 3dB(A)
A guaranteed sound power level	96dB(A)
Wear ear protection	
Typical weighted vibration	2.5m/s <sup>2</sup> K=1.5m/s <sup>2</sup>

## 1000W HOVER MOWER

## ORIGINAL INSTRUCTIONS

#### WARNING!

The vibration emission value during actual use of the power tool can differ from the declared value depending on the ways in which the tool is used dependant on the following examples and other variations on how the tool is used:

How the tool is used and the materials being cut.

The tool being in good condition and well maintained.

The correct accessories for the tool are being used and are in good condition.

The tightness of the grip on the handles and any anti vibration accessories are used.

And the tool is being used as intended by its design and these instructions.

**This tool may cause hand vibration syndrome if the use is not adequately managed.**

#### WARNING!

To be accurate, an estimation of exposure level in the actual conditions of use should also take account of all parts of the operating cycle such as the times when the tool is switched off and when it is running idle but not actually doing the job. This may significantly reduce the exposure level over the total working period.

Help to minimize your vibration exposure risk.

Maintain this tool in accordance with these instructions and keep well lubricated (where appropriate).

If the tool is to be used regularly then invest in anti vibration accessories.

Plan your work schedule to spread any high vibration tool use across a number of days.

### ENVIRONMENTAL PROTECTION



Waste electrical products should not be disposed of with household waste. Please recycle where facilities exist.

Check with your Local Authority or retailer for recycling advices.

### GUARANTEE

This product is selected for DOMESTIC USE ONLY and not for business use. This product is guaranteed against manufacturing defects for a period of 12 months. This does not cover the product where the fault is due to misuse, abuse, use in contravention of the instructions, or where the product has been the subject of unauthorised modifications or alterations, or has been the subject of commercial use. In the event of a problem with the product within the guarantee period please return it to your nearest Argos store. If the item is shown to have an inherent defect present at the time of sale, the store will provide you with a replacement. Your statutory rights remain unaffected.

Guarantor: Argos, MK9 2NW

Issue1 09/2011

## 1000W HOVER MOWER

# HOME RETAIL GROUP

## EC DECLARATION OF CONFORMITY

We  
Home Retail Group  
Avebury, Milton Keynes,  
MK9 2NW

declare that the product  
**N1F-HM-280/1000-A 1000W HOVER MOWER**

Function: Cutting grass and similar soft vegetation

Complies with the requirements of the following directives:

- 2004/108 EC - EMC Directive.
- 2006/95 EC - Low Voltage Directive.
- 93/68 EEC - CE Marking Directive
- 2006/42 EC - Machinery Directive
- 2000/14/EC - Noise emission in the environment by equipment for outdoors Directive.
- Conformity assessment procedure as per ANNEX VI.
- Measured Sound Power Level = 84dB(A)
- Declared Guaranteed Sound Power Level = 96dB(A)

Notified body name: Société Natinale de Certification et d'Homologation  
Notified body address: BP 23 I-5201 Sandweiler  
Notified body number: 0499

Technical documentation holder: Home Retail Group, MK9 2NW

Standards and technical specifications referred to:

- EN 60335-2-91 :2003
- EN 55014-2 :1997/+A1 :2001/+A2 :2008
- EN 50366 :2003+A1 :06
- EN 61000-3-2 :2006
- EN 60335-1:2002+A1+A11+A12+A2+A13+A14
- EN 61000-3-3 :2008
- ISO 11904 :1991
- EN ISO 3744 :1995
- EN 55014-1 :2006

### Authorised Signatory

Date: 27.09.2011

Signature: 

Name: Roger Pantan-Kent

Head of Quality Assurance



(EC conformity mark)