

GARDENLINE®

# 620W Hedge Trimmer

User Guide

## After Sales Support

Now you have purchased a Gardenline® product you can rest assured in the knowledge that, as well as your 3 year parts and labour guarantee, you have the added peace of mind of dedicated helplines and web support.



## AFTER SALES SUPPORT-7 DAYS A WEEK



[www.coreservice.co.uk](http://www.coreservice.co.uk)



GB 01904 727501 IRE 019022605  
(Charged at local rates)



Please read this manual thoroughly before use and retain for future reference.

MODEL: GLHT600, 08/2015, 65531

# Contents

---

## Page

02	Welcome
03	General Information
05	Safety Instructions
12	Assembly and Parts List
17	Getting Started
20	Features
20	Operating Instructions
24	Maintenance and Care
27	Frequently Asked Questions
28	Useful Information
30	Declaration of Conformity

# Welcome

# 1

You have made an excellent choice with the purchase of this quality Gardenline® product.

By doing so you now have the assurance and peace of mind which comes from purchasing a product that has been manufactured to the highest standards of performance and safety, supported by the high quality standards of Aldi.

We want you to be completely satisfied with your purchase so this Gardenline® product is backed by a comprehensive manufacturer's 3 year warranty and an outstanding after sales service through our dedicated Helpline.

We hope you will enjoy using your purchase for many years to come. If you require technical support or in the unlikely event that your purchase is faulty please telephone our helpline for immediate assistance. Please contact the technical helpline before returning your product to store. Faulty product claims made within the 3 year warranty period will be repaired or replaced free of charge provided that you have satisfactory proof of purchase (keep your till receipt safe!).

This does not affect your statutory rights. However, be aware that the warranty will become null and void if the product is found to have been deliberately damaged, misused or disassembled.

**IMPORTANT  
READ CAREFULLY BEFORE USE  
KEEP FOR YOUR REFERENCE**



**WARNING!** Read all safety regulations and instructions before first use.

When using equipment, a few safety precautions must be observed to reduce the risk of injuries and damage. Please read the complete operating manual with due care. Keep this manual in a safe place, so that the information is available at all times. If you give the equipment to any other person, give them these operating instructions as well.



**WARNING!** This product is not intended for use by persons with reduced physical, sensory or mental capabilities, or lack of experience and knowledge, unless they have been given supervision or instruction concerning use of the product by a person responsible for their safety. Children should be supervised to ensure that they do not play with the product.



**Items supplied**

Open the packaging and take out the equipment with care.

Remove the packaging material and any packaging and/or transportation braces (if applicable).

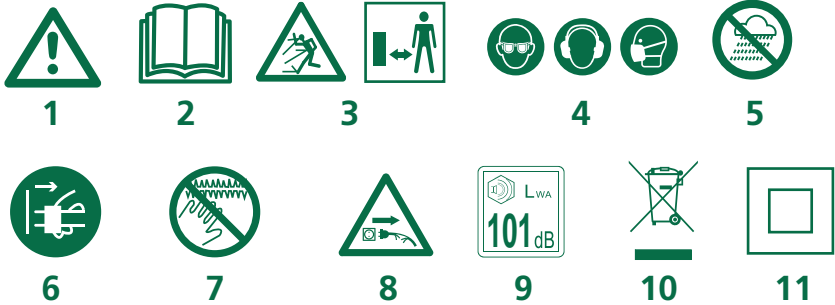
Check to see that all items are included.

Inspect the equipment and accessories for transport damage.

Keep the packaging until the end of the warranty period.

Parts list please see page 12.

## Explanation of the symbols and warning signs on the machine



1. This symbol indicates there is a danger of serious personal injury or death if you do not observe the warning.
2. Read the instruction manual.
3. Objects thrown by the product could hit the user or other bystanders. Always ensure that other people and pets remain at a safe distance from the product when it is in operation. In general, children must not come near the area where the product is.
4. Appropriate ear, eye and mouth protection must be worn.
5. Do not expose the product to rain or wet conditions (moisture).
6. Warning! Switch the product off and disconnect it from the power supply before assembly, cleaning, adjustments, maintenance, storage and transportation.
7. Keep fingers away from moving blades.
8. Warning! Disconnect the mains plug if the cord is damaged or entangled. **DO NOT TOUCH THE CORD BEFORE DISCONNECTING THE SUPPLY.**
9. Guaranteed sound power level.
10. WEEE symbol. Waste electrical products should not be disposed of with household waste. Please recycle where facilities exist. Check with your Local Authority or local store for recycling advice.
11. This product is of protection class II. That means it is equipped with enhanced or double insulation.

## SAFETY WARNINGS

### Work area safety

1. Keep the work area clean and well lit. Cluttered or dark areas invite accidents.
2. Do not operate power tools in explosive atmospheres, such as in the presence of flammable liquids, gases or dust. Power tools create sparks which may ignite the dust or fumes.
3. Keep children and bystanders away while operating a power tool. Distractions can cause you to lose control.

### Electrical safety

1. Power tool plugs must match the outlet. Never modify the plug in any way. Do not use any adapter plugs with earthed (grounded) power tools. Unmodified plugs and matching outlets will reduce the risk of electric shock.
2. Avoid body contact with earthed or grounded surfaces, such as pipes, radiators, ranges and refrigerators. There is an increased risk of electric shock if your body is earthed or grounded.
3. Do not expose power tools to rain or wet conditions. Water entering a power tool will increase the risk of electric shock.
4. Do not abuse the cord. Never use the cord for carrying, pulling or unplugging the power tool. Keep the cord away from heat, oil, sharp edges or moving parts. Damaged or entangled cords increase the risk of electric shock.
5. When operating a power tool outdoors, use an extension cord suitable for outdoor use. Use of a cord suitable for outdoor use reduces the risk of electric shock.
6. If operating a power tool in a damp location is unavoidable, use a residual current device (RCD) protected supply. Use of an RCD reduces the risk of electric shock. The maximum operating current of the RCD must be less than 30mA.

## Personal safety

1. Stay alert, watch what you are doing and use common sense when operating a power tool. Do not use a power tool while you are tired or under the influence of drugs, alcohol or medication. A moment of inattention while operating power tools may result in serious personal injury.
2. Use personal protective equipment. Always wear eye protection. Protective equipment such as dust mask, non-skid safety shoes, hard hat, or hearing protection used for appropriate conditions will reduce the risk of personal injuries.
3. Prevent unintentional starting. Ensure the switch is in the off-position before connecting to the power source and/or battery pack, picking up or carrying the tool. Carrying power tools with your finger on the switch or energising power tools that have the switch on invites accidents.
4. Remove any adjusting key or wrench before turning the power tool on. A wrench or a key left attached to a rotating part of the power tool may result in personal injury.
5. Do not overreach. Keep proper footing and balance at all times. This enables better control of the power tool in unexpected situations.
6. Dress properly. Do not wear loose clothing or jewellery. Keep your hair, clothing and gloves away from moving parts. Loose clothes, jewellery or long hair can be caught in moving parts.
7. If devices are provided for the connection of dust extraction and collection facilities, ensure these are connected and properly used. Use of dust collection can reduce dust-related hazards.

## Power tool use and care

1. Do not force the power tool. Use the correct power tool for your application. The correct power tool will do the job better and more safely when operated at the rate for which it was designed.
2. Do not use the power tool if the switch does not turn it on and off. Any power tool that cannot be controlled with the switch is dangerous and must be repaired.
3. Disconnect the plug from the power source and/or the battery pack from the power tool before making any adjustments, changing accessories, or storing power tools. Such preventive safety measures reduce the risk of starting the power tool accidentally.

4. Store idle power tools out of the reach of children and do not allow persons unfamiliar with the power tool or these instructions to operate the power tool. Power tools are dangerous in the hands of untrained users.
5. Maintain power tools. Check for misalignment or binding of moving parts, breakage of parts and any other condition that may affect the power tool's operation. If damaged, have the power tool repaired before use. Many accidents are caused by poorly maintained power tools.
6. Keep cutting tools sharp and clean. Properly maintained cutting tools with sharp cutting edges are less likely to bind and are easier to control.
7. Use the power tool, accessories and tool bits etc. in accordance with these instructions, taking into account the working conditions and the work to be performed. Use of the power tool for operations different from those intended could result in a hazardous situation.

## Service

1. Have your power tools serviced by a qualified repair person using only identical replacement parts. This will ensure that the safety of the power tool is maintained.

**ELECTRICALLY POWERED HEDGE TRIMMER SAFETY WARNINGS  
IMPORTANT  
READ CAREFULLY BEFORE USE  
KEEP FOR YOUR REFERENCE**



**WARNING!** When using the product the safety rules must be followed. For your own safety and that of bystanders please read these instructions before operating the product. Please keep the instructions safe for later use.



## Training

1. Read the instructions carefully. Be familiar with the controls and the proper use of the product.
2. Never allow people unfamiliar with these instructions or children to use the product. Local regulations can restrict the age of the operator.
3. Keep in mind that the operator or user is responsible for accidents or hazards occurring to other people or their property.

## Preparation

1. Never operate the product while people, especially children, or pets are nearby.
2. Wear eye, ear and mouth protection at all times while operating the product

## Operation

1. Use the product only in daylight or good artificial light.
2. Never operate the product with damaged guards or shields or without guards or shields in place.
3. Keep hands and feet away from the cutting attachment at all times and especially when switching on the motor.
4. Before use check the controls and correct operation of the product.
5. Before using the product or after any impact, check for signs of wear or damage and repair as necessary.
6. Always disconnect the product from the power supply (i.e. remove the plug from the power supply or the battery pack)
  - whenever leaving the product unattended;
  - before clearing a blockage;
  - before checking, cleaning or working on the product
  - after striking a foreign object;
  - whenever the product starts vibrating abnormally.
7. Take care against injury to feet and hands from the cutting attachment.
8. Always ensure that the air vents are kept clear of debris.
9. Never use replacement parts or accessories not provided or recommended by the manufacturer.

10. The product should be supplied via a residual current device (RCD) with a tripping current of not more than 30 mA.
11. Avoid using the product in bad weather conditions especially when there is a risk of lightning.
12. Position the cord so that it will not be caught by the cutting attachment during operation.
13. Disconnect from the power supply when the cord becomes damaged or tangled.
14. If the cord becomes damaged during use, disconnect the cord from the supply immediately. **DO NOT TOUCH THE CORD BEFORE DISCONNECTING THE SUPPLY.**
15. Do not use the product if the cord is damaged or worn.
16. **Warning!** The cutting elements continue to move after the product is switched off.
17. Keep the extension cord away from the blades at all times.
18. Only use an extension cord with conductors of not less than 1.5mm<sup>2</sup> or 2.0mm<sup>2</sup> and:
  - if rubber insulated, ordinary tough rubber sheathed flexible cord (code designation 60245 IEC 53);
  - if polyvinyl chloride insulated, ordinary polyvinyl chloride sheathed flexible cord (code designation 60227 IEC 53).
19. Do not expose the product to rain.

## Maintenance and storage

1. Disconnect the product from the power supply (i.e. remove the plug from the power supply or the battery pack) and check for damage after use.
2. Disconnect the product from the power supply (i.e. remove the plug from the power supply or the battery pack) before carrying out maintenance or cleaning work.
3. Use only the manufacturer's recommended replacement parts and accessories.
4. Inspect and maintain the product regularly. Have the product repaired only by an authorised service centre or similar qualified specialist.
5. When not in use, store the product out of the reach of children.

## Vibration and noise reduction

To reduce the impact of noise and vibration emission, limit the time of operation, use low-vibration and low-noise operating modes as well as wearing personal protective equipment. Take the following points into account to minimize the vibration and noise exposure risks:

1. Only use the product as intended by its design and these instructions.
2. Ensure that the product is in good condition and well maintained.
3. Keep tight grip on the handles/gripping surface.
4. Maintain this product in accordance with these instructions and keep it well lubricated (where appropriate).
5. Plan your work schedule to spread any high vibration tool use across a longer period of time.

## Emergency

Familiarise yourself with the use of this product by means of this instruction manual. Memorise the safety directions and follow them to the letter. This will help to prevent risks and hazards.

1. Always be alert when using this product, so that you can recognise and handle risks quickly. Fast intervention can prevent serious injury and damage to property.
2. Switch off and disconnect from the power supply if there is any malfunction. Have the product checked by a qualified specialist and repaired, if necessary, before you put it into operation again.

## Residual risks

Even if you are operating this product in accordance with all the safety requirements, potential risks of injury and damage remain. The following dangers can arise in connection with the structure and design of this product:

1. Health problems resulting from vibration emission if the product is being used over long periods of time or not adequately managed and properly maintained.
2. Injuries and damage to property due to broken application tools or the sudden impact of hidden objects during use.
3. Danger of injury and property damage caused by flying objects.

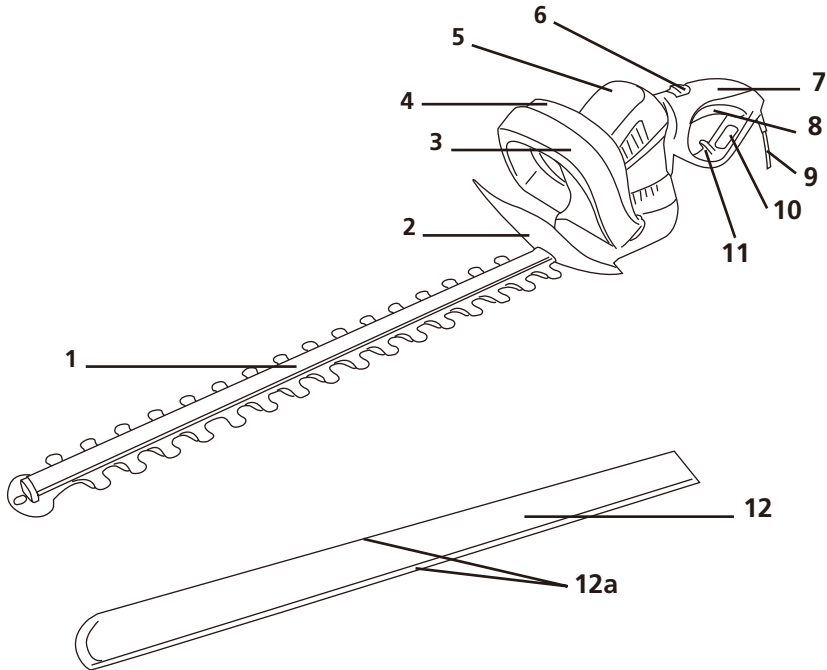


**WARNING! This product produces an electromagnetic field during operation! This field may under some circumstances interfere with active or passive medical implants! To reduce the risk of serious or fatal consequences, we recommend persons with medical implants consult their doctor and the medical implant manufacturer before operating this product!**

## **Environmental protection**

**Dispose of soiled maintenance material and operating materials at the appropriate collection point. Recycle packaging material, metal and plastics.**





## Layout

- |                                    |                         |
|------------------------------------|-------------------------|
| 1. Cutting device                  | 7. Rear handle          |
| 2. Front guard                     | 8. On/off switch        |
| 3. Front handle                    | 9. Power cord with plug |
| 4. Safety switch                   | 10. Rear guard          |
| 5. Air vents                       | 11. Cord strain relief  |
| 6. Unlock button handle adjustment | 12. Blade cover         |
|                                    | a. Pressure point       |

**WARNING!** The product must be fully assembled before operation!  
Do not use a product that is only partly assembled or assembled with damaged parts!

Follow the assembly instructions step-by-step and use the pictures provided as a visual guide to easily assemble the product!

Do not connect the product to the power supply before it is completely assembled!

**NOTE:** Take care of small parts that are removed during disassembly you are when making adjustments. Keep them secure to avoid loss.

## Set up



### **WARNING!**

Before using the product, familiarise yourself with the operating features read the entire instruction manual paying particular attention to the safety rules and operating procedures.

## 1. Unpacking

1. Unpack all parts and lay them on a flat, stable surface.
2. Remove all packing materials and shipping devices if applicable.
3. Make sure the delivery contents are complete and free of any damage. If you find that parts are missing or show damage do not use the product but contact your dealer. Using an incomplete or damaged product represents a hazard to people and property.
4. Ensure that you have all the accessories and tools needed for assembly and operation. This also includes suitable personal protective equipment.

## 2. Blade cover

1. Press the lateral pressure points (12a) and remove the blade cover (12) from the cutting device (1) before operation (Fig. 1).

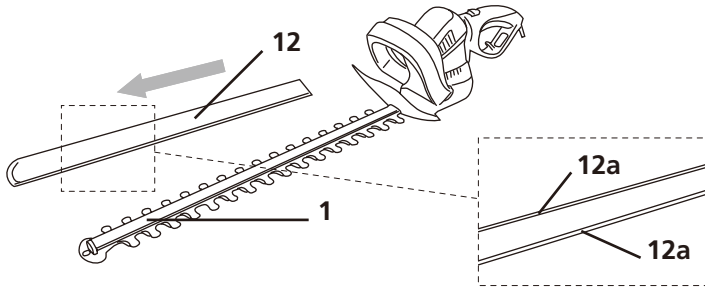


Fig 1

2. Align the blade cover (12) to the cutting device (1) and push it onto it to attach. Ensure the cover engages properly, check by pulling. It may not be possible to simply pull off the cover.



**NOTE:** Always attach the blade cover (12) when the product is not in use, for storage and transportation.

### 3.Handle adjustment

Adjust the handle to fit the application.

1. Pull the unlock button (6) backward and hold it in position (Fig. 2).
2. Adjust the handle (7) to required position and release the unlock button (6). Keep turning the handle until it snaps securely into place (Fig. 3).

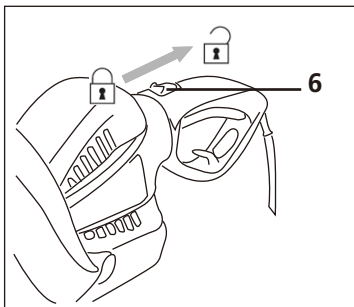


Fig 2

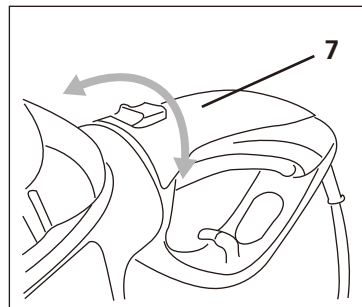
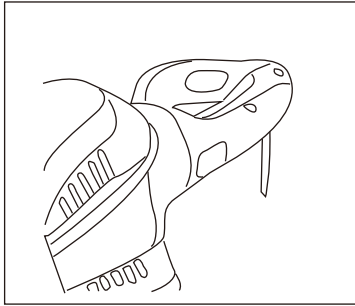
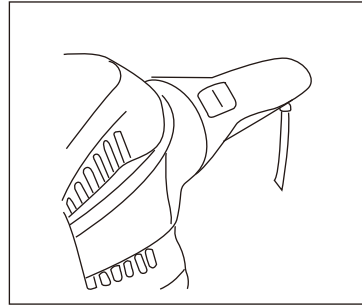


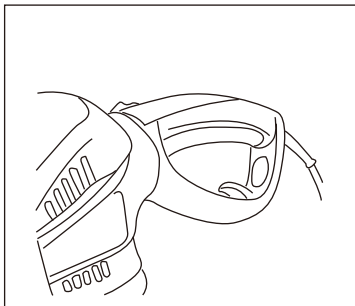
Fig 3



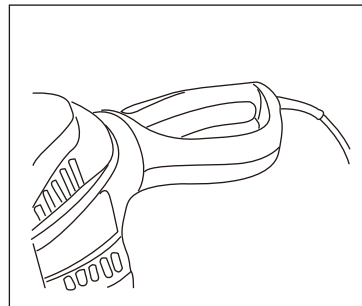
**Position A**



**Position B**



**Position C**



**Position D**

## 4.Connection to the power supply



**WARNING!** For safety reasons the product is equipped with a short power cord (9). Do not connect the product to the power supply via this power cord. A suitable extension cord is required for operation. Observe the technical requirements for this product when purchasing an extension cord.

1. Make sure the on/off switch (8) is in its off position.



2. Double the extension cord, about a foot from the end. Lead the loop through the hole on the rear safe guard (10) and hook the loop over the cord strain relief (11) (Figs. 4, 5). Gently pull on the cord to ensure that it is firmly attached.

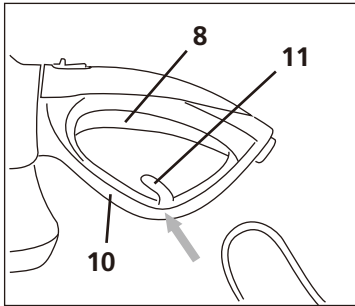


Fig 4

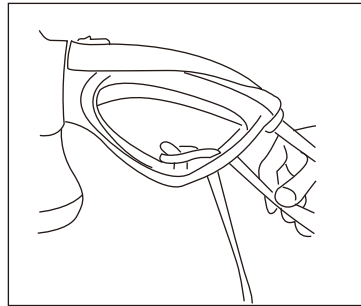


Fig 5

3. Connect the extension cord to a suitable socket. (Fig. 6)

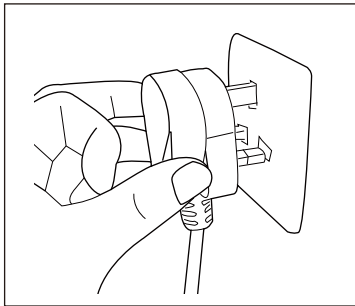
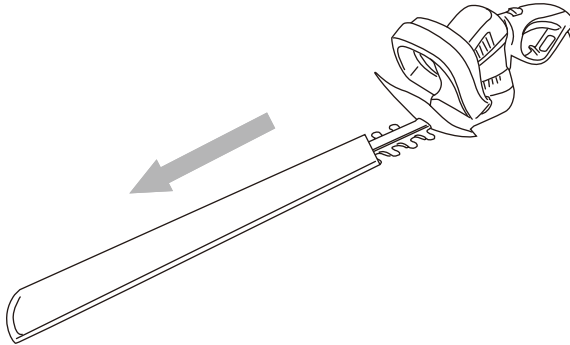


Fig 6

## Remove the blade sheath



Remove the blade sheath (A) from the blade (B) of appliance carefully .



**WARNING!** Always wear safety gloves when doing any work on the hedge trimmer the blades are very sharp. **WARNING!** Always unplug the power cord from the power source before doing any work on the hedge trimmer.

## Connection to the power supply



**WARNING!** Read all of the instructions of this manual before attempting to connection the power supply for your tool.



**WARNING!** If the insulation on a power cable or extension lead is found to be cut or damaged, do not touch it! Disconnect the power supply immediately and have the damaged cable replaced by an authorised service agent.



**WARNING!** If operating the appliance in a damp location is unavoidable, use a residual current device(RCD) protected supply. Use of an RCD reduces the risk of electric shock.



**WARNING!** Use only extension cords suitable for outdoor use, preferably with a high visibility cable colour. Always unwind all extension cables fully, coiled cables can overheat and reduce the efficiency of your product.



**NOTE!** For extension cables up to 15metres, use a wire cross section of 1.5mm<sup>2</sup>. For extension cables over 15 metres but less than 40 metres, use a wire cross section of 2.5 mm<sup>2</sup>



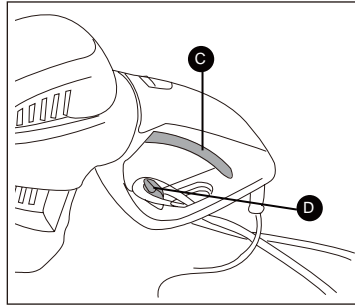
**WARNING!** This product is designed to operate on 230-240 VAC 50Hz. The voltage and current must comply with the information on the ratings label!



**NOTE!** This hedge trimmer is fitted with a non-rewireable plug. If it is necessary to change the fuse in the plug, the fuse cover becomes lost or damaged, the plug must not be used until a suitable replacement is obtained.

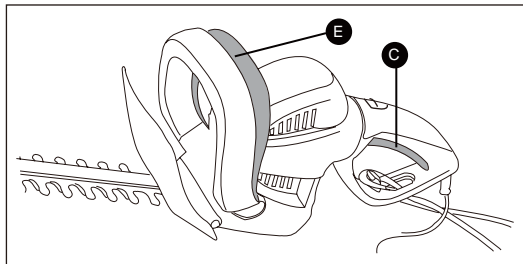


**WARNING!** A 13amp fuse must be fitted.



1. Make sure the on/off switch (C) is in its off position.
2. Double the extension cord, about a foot from the end. Lead the loop through the hole on the rear guard and hook the loop over the cord hook (D). Gently pull on the cord to ensure that it is firmly attached at the handle.
3. Connect the extension cord to a suitable socket.

## Switch on /off



**NOTE !** For your safety, this tool is equipped with a double switch system. This system prevents starting the tool inadvertently. You must push the safety switch lever (E), and then press the On/ Off switch (C).

### Switching on

1. Push the safety switch lever(E)
2. Press the On/off switch (C).

### Switching off

Release either safety switch lever or On/Off switch.

620w motor  
510mm blade length  
465mm cutting length  
Dual safety switch  
laser cut blade  
20mm tooth gap  
10m cable, BS plug  
mechanical brake  
rotating rear handle

# Operating Instructions

# 7

## General operation

1. Check the product, its power cord and plug as well as accessories for damage before each use. Do not use the product if it is damaged or shows wear.
2. Double check that accessories or cutting device are properly fixed.
3. Always hold the product by its handles. Keep the handles dry to ensure safe support.
4. Ensure that the air vents are always unobstructed and clear. Clean them if necessary with a soft brush. Blocked air vents may lead to overheating and damage the product.
5. Switch the product off immediately if you are disturbed while working by other people entering the working area. Always let the product come to complete stop before putting it down.
6. Do not overwork yourself. Take regular breaks to ensure you can concentrate on the work and have full control over the product.



**NOTE:** Only operate the product at reasonable hours - not early in the morning, late at night or on weekends/public holidays when people might be disturbed. Inform yourself about local restrictions.

## Trimming times

green leaf hedges

evergreens

conifers and other fast growing shrubs

June to October

April and August

every 6 - 8 weeks

## Switching on/off

1. Hold the product with one hand at the rear handle (7) and with the other at the front handle (3).
2. Press the on/off switch (8) and the safety switch (4) at the same time (Fig. 7) to switch the product on.

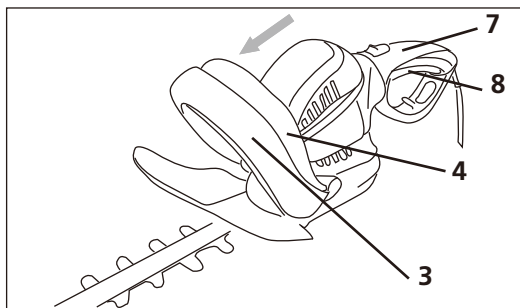


Fig 7

3. Release either the on/off switch (8) or the safety switch (4) to switch the product off.

## Trimming



**NOTE:** Try to keep the cutting device angled at approximately 15° to the cutting surface.

1. Cut and remove branches exceeding the cutting capacity of this product using a proper pruner before operation.

2. Move the cutting device lightly through the surface to be cut in a sweeping motion following the shape of the hedge or shrub.
3. A slight tilt downwards of the cutting device in the direction of motion is recommended for optimum cutting performance.
4. Do not to rush and do not attempt to cut too much with one stroke of the cutting device.
5. First cut both sides from the bottom cutting upwards to the top. This will prevent any of the trimmings falling into the path of the area still to be cut (Fig. 8).

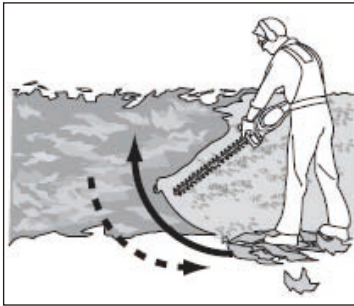


Fig 8

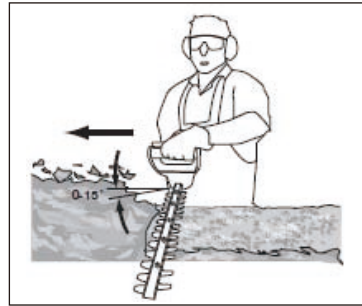


Fig 9

6. After cutting the sides proceed to the top (Fig. 9). Try to keep the cutting device angled at approximately 15° to the cutting surface.
7. Cut in a number of stages if the area being cut is particularly long to achieve a better result; smaller trimmings will allow for easy composting.

- Lubricate the internal surfaces of the blade if the cutting device (1) overheats during operation (Fig. 11).



**WARNING!**

Switch the product off and disconnect it from the power supply before performing this operation!



Fig 10

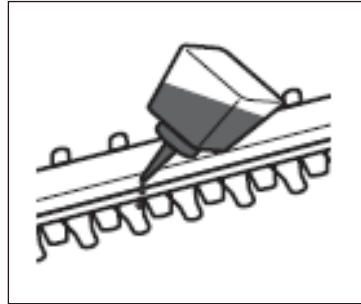


Fig 11



**NOTE:** When shaping it is advisable to achieve a trapezoidal shape (Fig. 10). A trapezoidal cut corresponds to the natural growth of plants and results in optimal hedge growth, as it will expose more light to the lower end of the hedge.

## After use

- Switch the product off, disconnect it from the power supply and let it cool down.
- Check, clean and store the product as described below.





**WARNING!** Always switch the product off, disconnect it from the power supply and let the product cool down before performing inspection, maintenance and cleaning work!



1. Keep the product clean. Remove debris from it after each use and before storage.
2. Regular and proper cleaning will help ensure safe use and prolong the life of the product.
3. Inspect the product before each use for worn and damaged parts. Do not operate it if you find broken and worn parts.



**WARNING!** Only perform repairs and maintenance work according to these instructions! All further works must be performed by a qualified specialist!

## General cleaning

1. Clean the product with a damp cloth and pH-neutral soap. Use a brush for areas that are hard to reach.
2. In particular clean the air vents (5) after every use with a cloth and brush.
3. Remove stubborn dirt with high pressure air (max. 3 bar).



**NOTE:** Do not use chemical, alkaline, abrasive or other aggressive detergents or disinfectants to clean this product as they might be harmful to its surfaces.

4. Check for any damage and wear. Repair damages in accordance with this instruction manual or take it to an authorised service centre before using the product again.

## Spare parts

The following parts of this product may be replaced by the consumer. Spare parts are available at an authorised dealer or through our customer service.

Description	Part number
Blade cover	12
Front guard 2	

## Cutting device (blade)



**WARNING!** Wear safety gloves when working on the cutting device and close to it! Use appropriate tools to remove debris, e.g. a brush or wooden stick! Never use your bare hands!



Always use original spare parts for replacement. The cutting device must be replaced by an authorized agency. Do not attach any other type of cutting device!

The replacement of the cutting device should be done by a qualified specialist! Rework or sharpening blades is not recommended unless it is done by a repair service or a similarly qualified specialist!

1. Keep the cutting device (1) clean and free of debris. Remove trimmings.
2. Apply a small amount of suitable lubricant on the cutting device (1) to retain a good cutting performance.
3. Keep the cutting device (1) sharp. Have a worn or damaged cutting device replaced with a new one of the same type by a qualified specialist.
4. Adjustment of the distance between blades is not necessary, as this is predetermined by the manufacturer.

## Repair

This product does not contain any parts that can be repaired by the consumer. Contact an authorised service centre or a similarly qualified person to have it checked and repaired.

## Power cord

If the power cord is damaged, it must be replaced by the manufacturer, its service agent or similarly qualified persons in order to avoid a safety hazard.

## Storage

1. Switch the product off and disconnect from power supply.
2. Clean the product as described above.
3. Attach the blade cover.
4. Store the product and its accessories in a dry, frost-free place.
5. Always store the product in a place that is inaccessible to children. The ideal storage temperature is between 10 and 30°C.
6. We recommend using the original package for storage or covering the product with a suitable cloth or enclosure to protect it against dust.

## Transportation

1. Switch the product off and disconnect from power supply.
2. Attach the blade cover.
3. Always carry the product by its handles/gripping surfaces.
4. Protect the product from any heavy impact or strong vibrations which may occur during transportation in vehicles.
5. Secure the product to prevent it from slipping or falling over.

## Recycling and disposal

1. The product comes in a package that protects it against damage during shipping. Keep the packaging until you are sure that all parts have been delivered and the product is functioning properly. Recycle the packaging afterwards.
2. Old products are potentially recyclable and do not, therefore, belong in your household rubbish. You are requested to assist us and our contribution to saving resources and protecting the environment by handing in this product at an equipped collection centre (if there is one available).



# Frequently Asked Questions 9

Suspected malfunctions are often due to causes that the user can fix themselves. Therefore, check the product using this section. In most cases the problem can be solved quickly.



**WARNING!** Only perform the steps described within these instructions! All further inspection, maintenance and repair work must be performed by an authorised service centre or a similarly qualified specialist if you cannot solve the problem yourself!

Problem	Possible cause	Solution
1. Product does not start	1.1 Not connected to power supply 1.2 Power cord or plug is defective 1.3 Other electrical defect to the product 1.4 Only one switch pressed	1.1. Connect to power supply  1.2. Check by a specialist electrician. 1.3. Check by a specialist electrician 1.4 Press both switches (on/off switch and safety switch)
2. Product does not reach full power	2.1 Extension cord not suitable for operation with this product 2.2 Power source (e.g. generator) has too low a voltage 2.3 Air vents are blocked	2.1. Use a suitable extension cord  2.2. Connect to another power source  2.3. Clean the air vents
3. Unsatisfactory result	3.1 Blade is worn  3.2 Thickness of branches exceeds capacity	3.1. Have it replaced with a new one 3.2. Only cut branches within the limits
4. Excessive vibration/noise or exhaust	4.1 Blade is dull/damaged  4.2 Bolts/nuts are loosen	4.1 Have it replaced with a new one 4.2 Tighten bolts/nuts

## General

Rated voltage, frequency:	230 - 240V~, 50 Hz
Rated input:	620 W
No load speed:	1600 min <sup>-1</sup>
Max. cutting length :	465mm
Max. cutting capacity:	20mm
Handle adjustment	5 Positions (90° / 45° / 0° / -45° / -90°)
Protection class:	II (This Product does not require an Earth)
Weight:	4.3 kg
Dimensions:	100 x 20 x 22 cm

## Sound values

Measured sound pressure level L <sub>pA</sub> :	81 dB(A)
Uncertainty K: 3 dB(A)	
Measured sound power level L <sub>WA</sub> :	100.2 dB(A)
Uncertainty K: 0.876 dB(A)	
Guaranteed sound power level:	101 dB(A)

## Vibration level

Vibration level of front handle ah:	5.094 m/s <sup>2</sup>
Vibration level of rear handle ah:	3.854 m/s <sup>2</sup>
Uncertainty K:	1.5 m/s <sup>2</sup>

The sound values have been determined according to noise test code given in EN 60745-2-15, using the basic standards EN ISO 11094 and EN ISO 3744. The sound intensity level for the operator may exceed 80 dB(A) and ear protection measures are necessary. The declared vibration value has been measured in accordance with a standard test method (according to EN 60745-1) and maybe used for comparing one product with another. The declared vibration value may also be used in a preliminary assessment of exposure.

**Depending on the actual use of the product the vibration values can differ from the declared total! Adopt proper measures to protect yourself against vibration exposures! Take the whole work process including times the product is running under no load or switched off into consideration!**

**Proper measures include among others regular maintenance and care of the product and cutting attachments, keeping hands warm, periodical breaks and proper planning of work processes!**



# EC DECLARATION OF CONFORMITY

We,

SUMEC Hardware & Tools Co., Ltd.

1 Xinghuo RD., Nanjing, China

And our branch office

SUMEC UK Co., Ltd.

Unit A&B, Escrick Business Park

Escrick, York YO 19 6FD

## Declare that the product

Electric Hedge Trimmer

Model No: GLHT600

Manufacture Model No.: HTEG32B-510

Function: trim hedges

Serial number :00001---25676

## Complies with the following directives:

EMC Directive: 2004/108/EC

Machinery Directive: 2006/42/EC

Noise Directive: 2000/14/EC amended by 2005/88/EC

RoHS Directive: 2011/65/EU

WEEE Directive 2012/19/EU

## Standards conform to:

EN 55014-1:2006+A1+A2 EN 55014-2:1997+A1+A2

EN 61000-3-2:2006+A1+A2 EN 61000-3-3:2008

EN 60745-1:2009+A11 EN 60745-2-15:2009+A1

## We additionally confirm the following in accordance with the 2000/14/EC emissions guideline:

Conformity Assessment Procedure as Per Annex V,

Measured sound pressure level  $L_{pA}$ : 81dB (A) , $K=3$  dB (A)

Measured sound power level  $L_{wA}$  :100.2dB (A) , $K=0.876$  dB (A)

Guaranteed sound power level  $L_{wA}$ : 101 dB (A)

Authorized Signatory

Date: \_18-03-2015\_\_\_\_\_

Signature: \_\_\_\_\_

Name: Mr. Liu Kai

General Manager

SUMEC Hardware & Tools Co., Ltd.



