



User Manual

Spend a little Live a lot

WITH
**QUICK
START
GUIDE**

GARDENLINE®

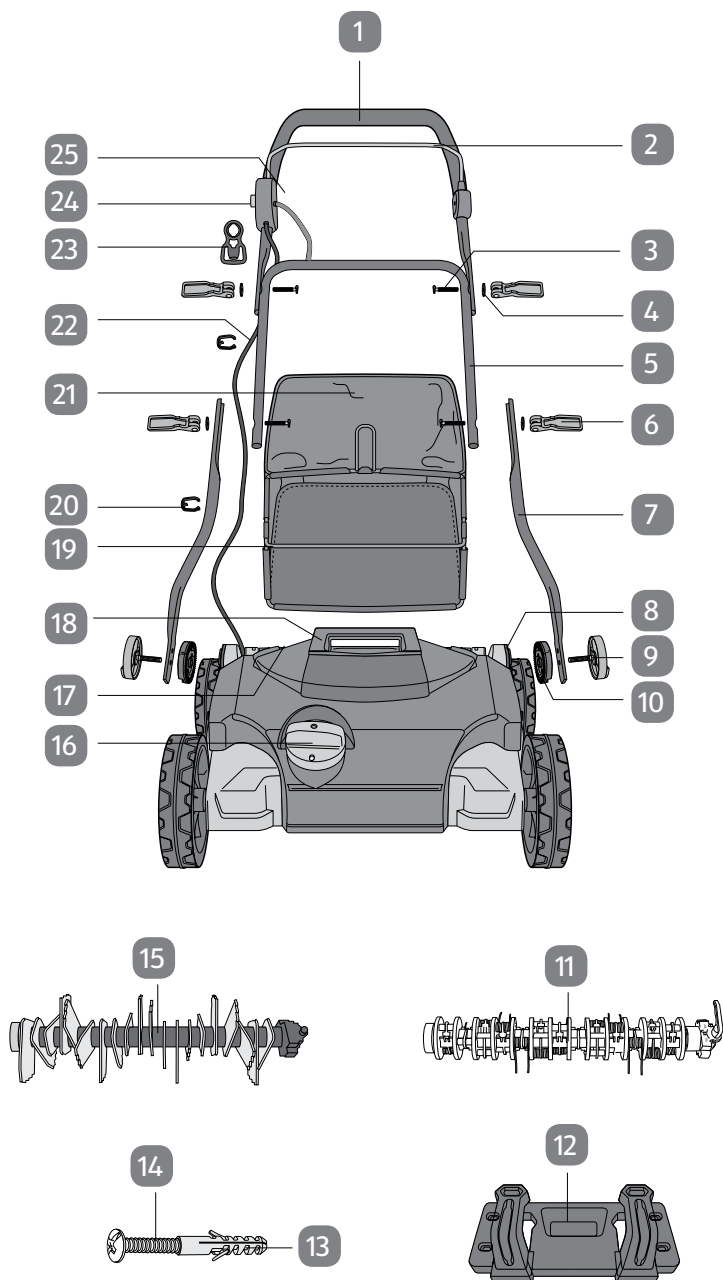
1500W Rake & Scarifier GLS 36K

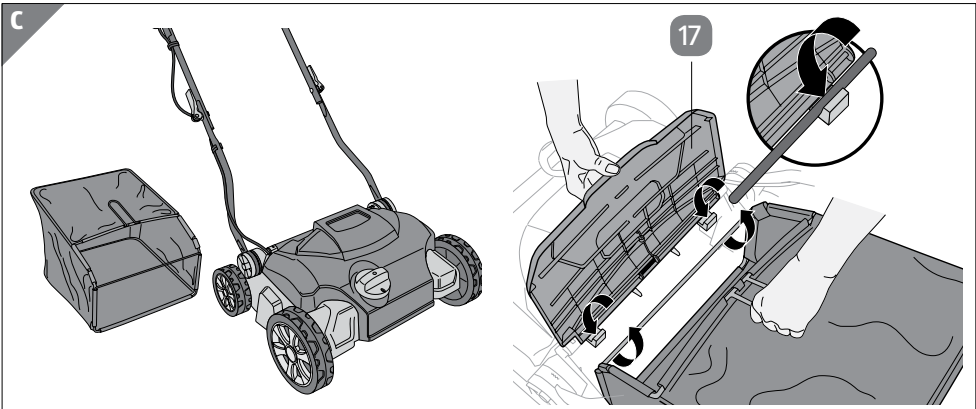
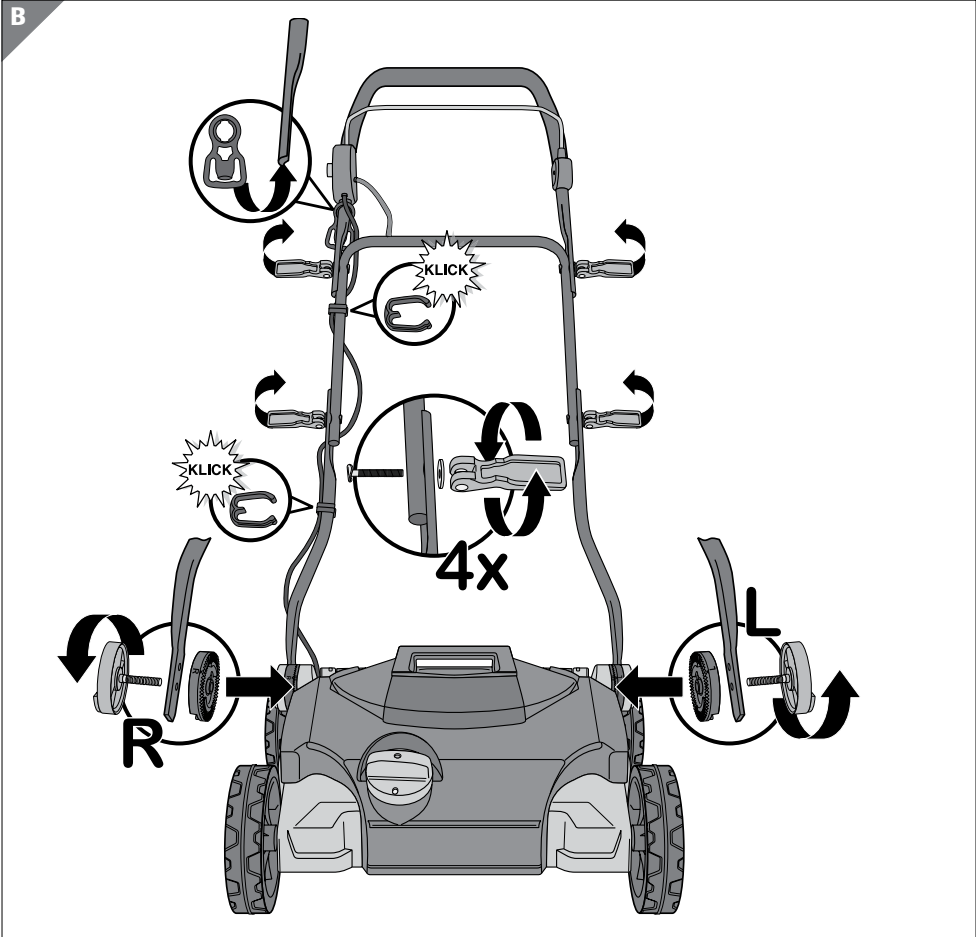


Contents

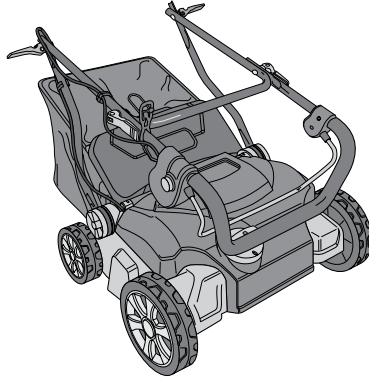
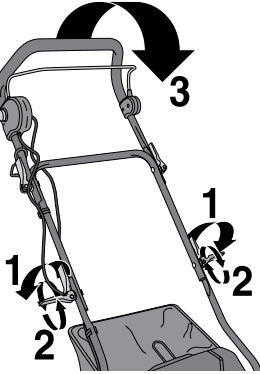
Product images and parts list	6
General information.....	7
Reading and storing the instruction manual.....	7
Explanation of symbols.....	7
Safety.....	11
Proper use.....	11
Safety notes.....	11
Checking the scarifier and product contents.....	15
Assembly.....	16
Mounting the handlebar.....	16
Mounting the collector bag.....	17
Operation.....	18
Adjusting the height.....	20
Adjusting the handlebar.....	20
Replacing a roller.....	21
Turning the scarifier on.....	22
Deactivating the scarifier.....	22
Emptying the collector bag.....	22
Cleaning.....	23
Maintenance.....	24
Troubleshooting.....	26
Storage and transport.....	27
Folding up the scarifier.....	27
Hanging up the scarifier.....	28
Disposal.....	28
Technical data.....	29
EC Declaration of Conformity	
Warranty	
Warranty Card	
Warranty Conditions	

A

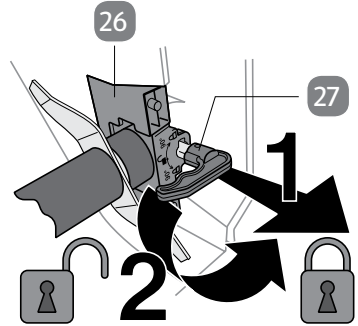
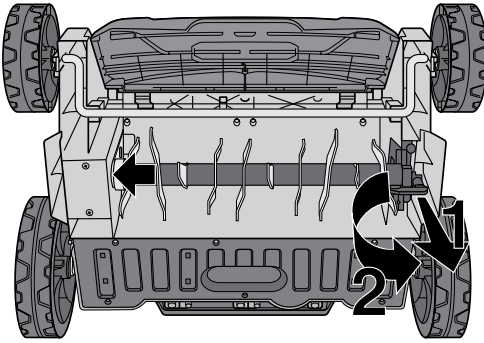




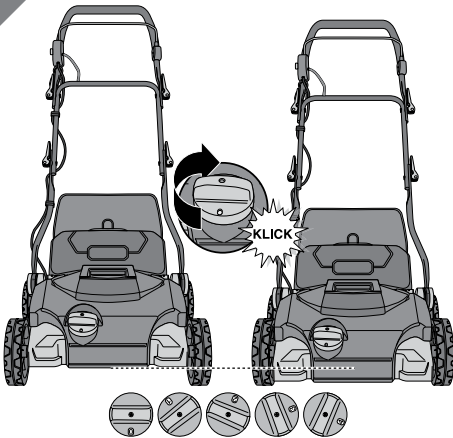
D



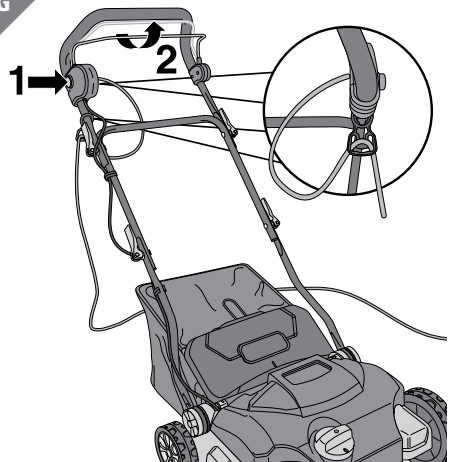
E



F



G



- 1 Handlebar
- 2 Safety switch bar
- 3 Screw, 4x
- 4 Washer, 4x
- 5 Connecting tube
- 6 Quick release unit, 4x
- 7 Brace, 2x
- 8 Fixture, 2x
- 9 Adjusting screw, 2x
- 10 Lock washer, 2x
- 11 Aerator roller
- 12 Hanger assembly
- 13 Dowels, 3x
- 14 Screw for the hanger assembly, 3x
- 15 Scarifier roller
- 16 Height adjustment
- 17 Cover cap (visible in **Fig. C**)
- 18 Carrying handle
- 19 Collector bag frame
- 20 Cable clamp, 2x
- 21 Collector bag
- 22 Mains cord
- 23 Cord safety holder
- 24 Start button
- 25 Mains connection
- 26 Bracket (only visible in **Fig. E**)
- 27 Lever (only visible in **Fig. E**)

Reading and storing the instruction manual



This instruction manual accompanies this scarifier. It contains important information on start-up and handling. Before using the scarifier, read the instruction manual carefully. This particularly applies for the safety notes. Failure to heed this instruction manual may result in severe injury or damage to the scarifier. The instruction manual is based on the standards and rules in force in the European Union. When abroad, you must also observe country-specific guidelines and laws! Store the instruction manual for future use. If you pass the scarifier on to third parties, please be absolutely sure to include this instruction manual.

You can request an electronic version of these instructions from our customer service.

Explanation of symbols

The following symbols and signal words are used in this instruction manual, on the scarifier or on the packaging.



WARNING! This signal word designates a hazard with moderate degree of risk which may lead to death or severe injury if not avoided.



CAUTION! This signal word designates a hazard with low risk that, if not avoided, may result in minor or moderate injury.



NOTICE! This signal word warns of possible damage to property or provides you with useful additional information.



mation regarding assembly or operation.

 Declaration of conformity (see chapter “Declaration of conformity”): Products marked with this symbol fulfil the requirements of the CE directive.



Wear protective gloves when inserting the roller to prevent injury.



Always wear secure footwear and long trousers when working with the scarifier. Do not work barefoot or in light sandals.



Wear ear protection when operating the scarifier. In very dusty work environments, always wear a breathing mask.



Wear protective eye wear when operating the scarifier.



Exercise caution! The scarifier carries a current and contains a roller with sharp blades. You could injure yourself or other persons if you handle the scarifier improperly. Read the instruction manual carefully. This particularly applies for the chapter on safety. Completely familiarise yourself with the control elements and proper use of the scarifier.



Make sure that nearby persons maintain a safe distance. Flying parts could inflict serious injuries. Outsiders must maintain a safe distance. Flying objects could inflict severe injuries.

AFTER SALES SUPPORT

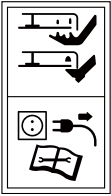
8



GB +44 (0)1904 727501
IRE +353 (0) 19022605



www.coreservice.co.uk



Pay attention to the sharp blades. Even after you switch off the device, they will continue to rotate for a while. Wait until the roller has come to a full stop before performing maintenance and cleaning.

Be absolutely sure to pull the mains plug out of the socket before performing maintenance on the scarifier.

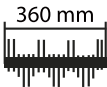


There is a risk of electric shock.

Make sure that you do not drive over the flexible extension cord while scarifying. Otherwise the roller will cut through it. Always hang the cord in the cord safety holder.



The scarifier is double insulated and may therefore only be operated with a double pole mains plug (protection class 2).



The working width of the roller is approx. 360 mm.

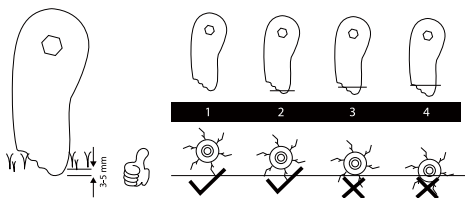


The scarifier is covered by a 36-month warranty.

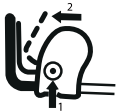


The L_{WA} sound power level is 101 dB.





This figure shows the proper depth for scarification. The roller should cut 3 to 5 mm into the ground. If the roller cuts too deep, the ground may be damaged.



The scarifier has the following safety mechanism: If you would like to start the scarifier, pull the safety switch bar towards the handlebar and briefly push the start button. The scarifier will continue to run as long as you hold the safety switch bar up against the handlebar.



Let go of the safety switch bar to switch off the scarifier.

AFTER SALES SUPPORT



Proper use

The scarifier is only designed for scarifying. It is only intended for private use and is not suitable for commercial use.

Only use the scarifier as described in this instruction manual. Any other use is deemed improper and may result in damage to property or even personal injury. The scarifier is not a children's toy.

The manufacturer or vendor accepts no liability for damage caused by improper or incorrect use.

Safety notes



WARNING! **RISK OF SHORT CIRCUIT!**

Liquids that have penetrated the scarifier may cause a short circuit. If you come into contact with the scarifier in such a case, you could receive an electric shock and be injured. A short circuit can also damage the scarifier.

- If it starts to rain while you are scarifying, then immediately switch off the scarifier and pull the mains plug.



WARNING! **RISK OF ELECTRIC SHOCK!**

A faulty electrical installation or excessive mains voltage may result in an electric shock.

- Only connect the scarifier if the mains voltage of the socket corresponds to the nameplate specification.
- Use a type H05 RN-F, H05VV-F extension cord or better with a cable cross section of at least $2 \times 1.5 \text{ mm}^2$. The extension cord may not be longer than 20 m.



- Do not operate the scarifier if it is visibly damaged or if the mains connection is defective.
- Do not use the scarifier with a defective extension cord.
- Do not change the motor settings.
- Do not overload the motor.
- Do not submerge the scarifier, the extension cord and the mains plug in water or other liquids.
- Never touch the mains plug with damp hands.
- Never pull the mains plug out of the socket by the extension cord; instead, always do so by taking hold of the mains plug.
- Never use the mains cord as a carrying strap. Always carry the scarifier by the carrying handle.
- Keep the mains cord of the scarifier and the extension cord away from open flames, hot surfaces, oil and sharp edges.
- Lay the extension cord so that it does not pose a tripping hazard.
- Do not kink the mains and extension cord and do not lay it over sharp edges.
- Do not drive over the extension cord with the scarifier.
- Make sure that the extension cord is not knotted.
- Make sure that no objects are inserted into the housing of the scarifier.
- Switch the scarifier off and disconnect it from the mains when you are no longer using it, cleaning it or would like to perform maintenance or if a fault occurs.
- If the connection line of this device is damaged, it must be replaced by the manufacturer, its customer service department or a similarly qualified person in order to prevent risks.



WARNING!
RISK OF SHARP BLADES!

The scarifier uses a fast rotating roller with sharp blades. If used incautiously, you could injure yourself or other persons. The rotating roller could propel small objects (rocks, sticks, wires, bones or similar) away from the device. You could severely injure yourself or other persons as a result.

AFTER SALES SUPPORT



- Never lift or carry the scarifier when the motor is running.
- Keep in mind that as the operator, you are responsible for accidents or risks associated with other persons or their property.
- Make sure that all nuts, bolts and screws have been tightened so that the scarifier is in safe working order.
- The roller will continue to rotate briefly after the scarifier has been switched off. Wait until the roller has come to a stop before you lift, carry, tilt or transport the scarifier.
- Switch the scarifier off and pull the extension cord off of the mains connection before you lift or carry the scarifier or roll it to another location while tilted.
- Never move your hands or feet close to or under rotating parts.
- Always maintain a distance to the discharge opening.
- Make sure you maintain a safe distance between your feet and the roller.
- Do not start the motor when you are standing in front of the discharge opening.
- Never use the scarifier when the protective mechanisms are damaged or not in place, e.g. without the deflector and/or collector bag.
- Switch the scarifier off and pull the extension cord out of the mains connection if the scarifier starts to vibrate with unusual intensity during operation.
- Wait until the roller comes to a full stop.
- Check the scarifier for damage.
- If you do not identify any damages, have the scarifier checked by professional personnel.
- Remove tools, adjusting elements or the like from the scarifier before you switch it on.
- Avoid unintentional starting of the scarifier.
- Make sure that the start button is set to the OFF position before you pull the extension cord off the mains connection.
- Do not use or perform maintenance on the scarifier if you are tired or under the influence of medication, alcohol or other substances affecting the awareness.



**WARNING!
DANGER OF EXPLOSION!**

The roller of the scarifier or projected objects could produce sparks when they come into contact with metal.

These sparks may ignite flammable liquids, gases or dust.

- Do not use the scarifier in environments where there is a risk of explosion due to flammable liquids, gases or dust.

**WARNING!
DANGER FOR PERSONS WITH IMPAIRED PHYSICAL, SENSORY OR MENTAL CAPACITIES (E.G. PARTIALLY DISABLED PERSONS, OLDER PERSONS WITH REDUCED PHYSICAL AND MENTAL CAPACITIES) OR LACK OF EXPERIENCE AND KNOWLEDGE (E.G. OLDER CHILDREN).**

- This scarifier may be used by persons with impaired physical, sensory or mental capacities or those lacking experience and knowledge if they are supervised or have been instructed in how to safely use the scarifier and have understood the risks associated with operating it.
- Children may not play with the scarifier.
- Cleaning and user maintenance must not be performed by unsupervised children.
- Keep children away from the scarifier and connection line.
- Do not leave the scarifier unattended while in operation.
- Do not allow children to play with the packaging wrapper.
- They may get caught in it when playing and suffocate.

AFTER SALES SUPPORT

**NOTICE!
RISK OF DAMAGE!**

Improper handling of the scarifier may result in damage to the scarifier.

- Ensure that the mains cord does not come into contact with hot parts.
- Never expose the scarifier to high temperatures (heaters etc.) or to effects of the weather (rain etc.).
- Never fill the scarifier with liquid.
- Never attempt to clean the scarifier by immersing it in water and do not use a steam cleaner to clean it.
- Otherwise, you could damage the scarifier.
- Stop using the scarifier if its plastic parts exhibit cracks or breaks or are deformed.
- Only replace damaged parts with corresponding original spare parts.
- Switch off the scarifier when passing over surfaces other than grass and when transporting the scarifier to and from the surface you intend to treat.
- Do not change the setting of the motor governor and do not over-rotate it.
- Check the collector bag regularly for wear or damaged parts.

Checking the scarifier and product contents

**NOTICE!
RISK OF DAMAGE!**

If you are not cautious when opening the packaging with a sharp knife or other pointed objects, you may quickly damage the scarifier. Therefore, be very careful when opening.

1. Take the scarifier out of the packaging and check whether the scarifier or the individual parts exhibit damages. If this is the



case, do not use the scarifier. Contact the manufacturer at the service address specified on the warranty card.

2. Check to make sure that the delivery is complete (see **fig. A**).

Assembly

Mounting the handlebar

1. Put the lock washers **10** into the fixtures **8** (see **fig. B**). Be absolutely sure that you mount the lock washer marked with "R" or "L" on the correct side. Otherwise, it will not be possible to properly adjust the handlebar height.
2. Place one brace **7** on each lock washer. Make sure that the bend of the braces is facing up.
3. Place the adjusting screws **9** on the braces and screw them tight. You have now screwed two braces in place.
4. Hold the connecting tube **5** up to the braces so that the holes line up.
5. Insert two screws **3** in the holes so that the heads are facing inward and the threading is facing out.
6. Place a washer **4** on each screw.
7. Place a quick release unit **6** on a screw.
8. Screw the quick release unit onto the thread so that it is somewhat secure.
9. Fold the quick release unit up so that it is up close against the connecting tube.

AFTER SALES SUPPORT



10. Attach the cord safety holder **23** to the handlebar **1**.
11. Hold the handlebar against the connecting tube so that the holes line up.
12. Connect the handlebar to the connecting tube by screwing two screws with nuts and quick release units in place.
13. Secure the mains cord **22** by fixing it with the two cable clamps **20**.

You have successfully mounted the handlebar.

Mounting the collector bag

1. Pull the collector bag **21** onto the collector bag frame **19**. Make sure that the handle is on the outside.
2. Use the clamping straps to attach the collector bag on the collector bag frame.
3. Lift the cover cap **17** (see **fig. C**).
4. Hang the collector bag in the scarifier.

You have successfully mounted the scarifier.



Operation



WARNING! RISK OF INJURY!

The scarifier uses a fast rotating roller with sharp blades. If used incautiously, you could injure yourself or other persons. The rotating roller could project small objects (rocks, sticks, wires, bones or similar) away.

You could severely injure yourself or other persons as a result. The scarifier is still carrying a current. If handled improperly, it could cause a short-circuit, cause an explosion or electric shock.

- Do not use the scarifier if it is raining or in a storm.
- Check the terrain where you would like to use the scarifier.
- Remove any rocks, sticks, wires, bones and other debris that could be drawn into the device and projected.
- Never use the scarifier if there are people, especially children or animals, nearby.
- Before you use the device, always perform a visual check to determine whether the work tools and bolts are worn or damaged.
- Only replace all worn or damaged work tools to avoid imbalance.
- Only work with the scarifier during daylight or with sufficient artificial light.
- Wear gloves when changing the roller to prevent injury.
- Only move the scarifier at a walking pace.
- Move the scarifier with both hands firmly grasping the handlebar.
- Take special care when making a turn or pulling the scarifier towards you.
- Avoid using the scarifier with wet grass or be very careful to prevent slipping.
- Always assume a stable stance, especially when working on slopes.



AFTER SALES SUPPORT



- Always work perpendicular to the slope and never work up or down a slope.
- Be especially careful when changing the direction of travel on the slope.
- Never work on excessively steep slopes.
- Switch the scarifier off and pull the mains plug.
- Wait until the roller has come to a full stop before you remove any blockages or obstructions in the discharge opening.
- If you stop working, switch the scarifier off and pull the mains plug.
- Switch the scarifier off and wait until the roller has come to a full stop before you remove or mount the collector bag.
- Always wear secure footwear and long trousers when working with the scarifier.
- Do not work barefoot or in light sandals.
- Wear ear protection when operating the scarifier.
- Wear protective eye wear when operating the scarifier.
- In very dusty work environments, always wear a breathing mask.



NOTICE!

Over time, a layer of plant debris consisting of stems, branches or moss will collect on your lawn. You should scarify your lawn twice a year to remove them. You should mow your grass beforehand. Early in the year and late summer are ideal times to scarify your lawn. The ground will have thawed and had enough time to recover from the winter. You should scarify lawns with a thick layer of stems, branches or moss lengthwise and crosswise. Make sure that the soil does not dry out. You should adjust the height if you intend to transport the scarifier. You can also use the height adjustment mechanism to determine the scarifying depth for your lawn. By factory default, the scarifier is set to a cutting depth of 3 mm.



Adjusting the height



NOTICE! **Risk of damage to property!**

If the scarifier is set incorrectly, the roller or the ground may be damaged as a result.

- Before each use, check the set depth to avoid any damage to the ground.
 - You can adjust the scarifying depth as follows:
Position 0 (+10 mm), 1 (-3 mm), 2 (-6 mm), 3 (-9 mm), 4 (-12 mm).
- If you push the scarifier over hard ground such as stony soil set the height so that the roller does not come into contact with the ground.
 - If the scarifier is on the ground you intend to treat, lower it so that the roller is in contact with the ground.
1. If you would like to raise the scarifier, turn the height adjustment **16** to position "0" (see **fig. F**).
 2. You can now lower the scarifier in increments.
 3. For the lowest setting, turn the height adjustment to position "4".

Adjusting the handlebar

You can adjust the height of the handlebar to your height.

1. Loosen the adjusting screws **9** slightly.
2. Move the handlebar **1** to a height that is comfortable for you.
3. Tighten the adjusting screws.

The handlebar must be set to the same height on both sides. You can check this using the marks on the fixtures **8** and the lock washers **10**.

AFTER SALES SUPPORT



Replacing a roller

Two rollers are contained in the product contents:

- The aerator roller **11** is ideal if you would like to rake leaves, moss and weeds out of your grass and amass them in the collector bag.
- The scarifier roller **15** is ideal if you would like to puncture the soil to aerate it and for lawn maintenance.



WARNING! **RISK OF SHARP BLADES!**

The scarifier uses a fast rotating roller with sharp blades. If used incautiously, you could injure yourself or other persons. The rotating roller could propel small objects (rocks, sticks, wires, bones or similar) away from the device. You could seriously injure yourself or other persons as a result.



- Make sure that you have properly assembled the scarifier before use.
- Wear protective gloves when inserting the roller to prevent injury.

1. Place the scarifier on a level, dry surface.
 2. Make sure that the scarifier is not connected to the power supply.
 3. Turn the scarifier over (see **fig. E**).
 4. Pull the lever **27** out.
 5. Turn the lever to the setting.
 6. Push the roller out.
 7. Remove the roller.
 8. Insert the roller **11** or in the scarifier **15** so that it locks into the front and back of the holder **26**.
 9. Turn the lever **27** 90° to the setting.
- You have successfully replaced the roller.



Turning the scarifier on

10. Take an extension cord and connect it with the mains connection **25** of the scarifier (see **fig. G**).
11. Secure the extension cord with the cord safety holder **23** (see **fig. G**).
12. Insert the extension cord in a suitable socket.
13. Push the start button **24**.
14. Hold the start button down and, at the same time, pull the safety switch bar **2** up against the handlebar.
15. You can now release the start button.
16. The scarifier will stay activated as long as you are holding the safety switch bar.

Deactivating the scarifier

1. Release the safety switch bar **2**.
2. As soon as the scarifier has turned off, disconnect the connector cable from the mains connection **25** of the scarifier.

Emptying the collector bag



NOTICE!

Debris consisting of leftover grass cuttings and moss is an excellent material for composting. To prevent grass and moss from sticking together, it is imperative that you mix them with other garden waste, brushwood for example.

- Mount and remove the collector bag **21** as described in the chapter “Mounting the collector bag”.



Cleaning



WARNING! **RISK OF SHORT CIRCUIT!**

Water that has penetrated the scarifier may cause a short circuit and an electric shock. You could injury yourself if you come into contact with the scarifier then.

- Make sure that no water penetrates the housing of the scarifier.
- Do not spray off the scarifier with a water jet.
- Do not immerse the scarifier in water to clean it. Do not allow any liquid cleaners to penetrate the scarifier.



NOTICE! **RISK OF DAMAGE!**

Improper handling of the scarifier may result in damage. Using an unsuitable cleaner could damage the surface of the scarifier.

- Do not use any aggressive cleaners, brushes with metal or nylon bristles, sharp or metallic cleaning utensils such as knives, hard scrapers and the like.
 - Do not use any aggressive cleaners, sharp or metallic cleaning utensils such as knives, hard scrapers and the like.
1. Disconnect the mains connection from the extension cord before cleaning.
 2. Clean the scarifier with a damp cloth to remove all sap, water and dirt.
 3. Then let all parts dry completely.



Maintenance



WARNING! RISK OF INJURY!

A faulty electrical installation or excessive mains voltage may result in an electric shock.

- Do not open the housing; instead, have a qualified professional perform the repairs.
 - Contact a qualified workshop for this.
 - Liability and warranty claims are waived in the event of repairs performed by the user, improper connection of the device or incorrect operation.
 - If the mains cord of the scarifier is damaged, the manufacturer, its customer service team or a person with similar qualifications must replace it.
 - When performing repairs, make sure that you only use parts that correspond to the original device data.
 - This scarifier includes electrical and mechanical parts, which are essential for providing protection against sources of danger.
 - Switch the scarifier off and disconnect it from the mains when you are finished using it, if you intend to clean or perform maintenance on it or in the event of a fault.
1. Before performing maintenance, disconnect the mains connection **25** from the extension cord.
 2. Make sure that all nuts, bolts and screws have been tightened so that the scarifier is in safe working order.
 3. Check the aerator **11** and roller **15**.
 4. Check the collector bag **21** for damage.

UK PLUG (ONLY FOR UK MARKET)

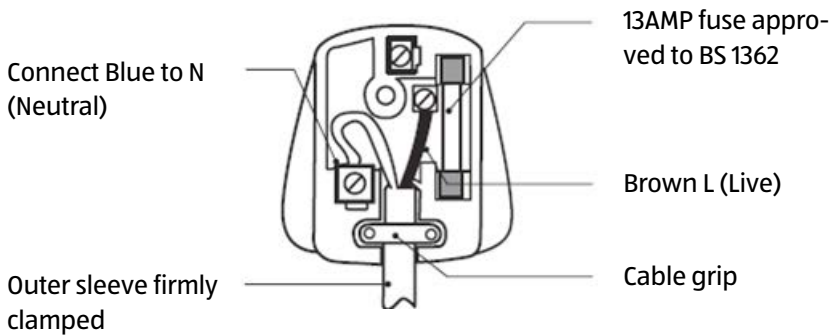
If you need to replace the fitted plug, then follow the instructions below.

AFTER SALES SUPPORT



IMPORTANT: The wires in the mains lead are coloured in accordance with the following code: Blue – Neutral Brown – Live

As the colours of the wire in the mains lead of this product may not correspond with the coloured marking identifying the terminals in your plug, proceed as follows. The wire, which is coloured blue, must be connected to the terminal, which is marked with N or coloured black. The wire, which is coloured brown, must be connected to the terminal, which is marked L or coloured red.



WARNING!

Never connect live or neutral wires to the earth terminal of the plug.

Only fit an approved 13 Amp BS 1363 or BS 1363/A plug and the correctly rated fuse.

If in doubt, consult a qualified electrician.



NOTICE!

If a moulded plug is fitted and has to be removed take great care in disposing of the plug and severed cable, it must be destroyed to prevent engaging into a socket.



Troubleshooting

Fault	Possible cause	Solution
The motor does not start.	The mains connection is defective.	Check the line and fuse.
	The mains cord is defective.	Check the mains cord.
	The switch plug combination is defective.	Call customer service.
	The connectors on the motor have been disconnected.	Call customer service.
	The scarifier housing is plugged.	Adjust the depth of the scarifier and clean the housing.
The motor stalls.	The mains cord/connector cable is loose.	Firmly connect the cord with the connection point.
The motor is losing power.	The ground is too hard.	Adjust the scarifying depth.
	The scarifier housing is plugged.	Clean the housing.
	The roller is worn.	Replace the roller.
The scarifying results are inconsistent.	The roller is worn.	Replace the roller.
	The scarifying depth is incorrect.	Adjust the scarifying depth.
	Your grass is too long.	Mow your grass.
The motor is running, but the roller isn't.	The toothed belt is torn.	Call customer service.
The scarifier is very loud.	The screws are loose.	Tighten all screws.
The scarifier rattles.	Debris on the roller is banging against the scarifier.	Remove the debris.

AFTER SALES SUPPORT



Storage and transport



WARNING! **RISK OF INJURY!**

Incorrect storage could cause damage to the scarifier. Children could also be injured.

- Make sure that the scarifier is stored so that it is not accessible for children, unauthorised persons and animals.
- Disconnect the scarifier from the mains if you are storing it or not using it for a prolonged period of time.



NOTICE! **RISK OF DAMAGE!**

Improper handling of the scarifier may result in damage.

- Protect the scarifier against sunlight, dust, dirt, moisture and frost.
- Make sure that the mains cord is not kinked.
- Clean the scarifier as described in the chapter "Cleaning".
- Use the height adjustment to set the scarifier to the highest position and push it to the storage location.

Folding up the scarifier


You can fold the handlebar of the scarifier up. This permits compact storage.

1. Loosen the quick release **6** unit that connects the connecting tube **5** with the braces **7** somewhat (see **fig. D**).
2. You can now pull the connecting tube **1** forward so that it is parallel to the scarifier.
3. You can use the quick release units on the handlebar to perform further settings.



Hanging up the scarifier

If you prefer not to fold up the scarifier, but to hang it up, use the enclosed hanger assembly.

1. Select a suitable location for the hanger assembly . It should be dry and well ventilated.
2. Hold the hanger assembly up to a wall that is stable and high enough.
3. Mount the hanger assembly.
4. Hang the scarifier on the hanger assembly.

Disposal

Disposing of the packaging



Dispose of the packaging separated into single type materials. Dispose of cardboard and carton as waste paper and foils via the recyclable material collection service.

Disposing of old devices

(Applicable in the European Union and other European states with systems for the separate collection of reusable waste materials)



Old devices must not be disposed of with household waste!

If the scarifier can no longer be used, every user is required by law to dispose of old devices separately from their household waste, e.g. at a collection point in his community/borough. This ensures that old devices are recycled in a professional manner and also rules out negative consequences for the environment. For this reason, electrical devices are marked with the adjacent symbol.



Technical data

Type:	GLS 36K
Article number:	91979
Supply voltage:	230V ~, 50Hz
Output:	1500 W
Engine idle speed:	3500 rounds per minute
Protection class:	II
Weight:	18 kg including packaging
Working width:	36 cm
Working depth in mm:	-12, -9, -6, -3, +10
Collection bag:	45 L
Vibration	3,8 m/s ² ; K=1,5 m/s ²
IP class:	IPX4
Noise	
Measured sound power level, L _{WA} :	96,8 dB (A)
Measured sound pressure level, L _{pA} :	86,7 dB (A)
LpCpeak:	100,3 dB (A); K=3,8 dB (A)
Guaranteed Sound Power Level:	101 dB (A);

Vibration levels and noise emission levels measured in accordance with DIN EN 60335. The specified vibration level can be used to compare one power tool with another one. The vibration value may also be used to introductorily assess the exposure.



EU Declaration of conformity

We

Merotec GmbH
Hanns-Martin-Schleyer-Str. 18a,
47877 Willich, Germany

Hereby declare that our product:
1500W Rake and Scarifier

Model number: GLS 36K

The following standards complies

MD Directive 2006/42/EC
EN60335-1: 2002+A1+A11+A12+A2+A13+A14+A15;
EN60335-2-92: 2005;
EN 13684_A2: 2009

2011/65/EC ROHS

EMC Directive 2004/108/EC
Noise Directive 2000/14/EC

Notified Body; TÜV Rheinland LGA Products GmbH
Tillystr. 2, 90431 Nürnberg, Germany

The standards applicable in this context:

EN 55014-1:2006+A1:2009+A2:2011
EN 55014-2:1997+A1:2001+A2:2008
EN 61000-3-2:2006+A1:2009+A2:2009
EN 61000-3-3:2008

Person authorised to compile the technical file:
Dirk Wohlrab
MEROTEC GmbH
Hanns-Martin-Schleyer-Str. 18a
47877 Willich, Germany



Legally valid signature

Date: 25.05.2015

A handwritten signature in blue ink, appearing to read 'R. Menken', is written over the date.

Ronald Menken



Spend a little Live a lot

Great care has gone into the manufacture of this product and it should therefore provide you with years of good service when used properly. In the event of product failure within its intended use over the course of the first 3 years after date of purchase, we will remedy the problem as quickly as possible once it has been brought to our attention. In the unlikely event of such an occurrence, or if you require any information about the product, please contact us via our helpline support services, details of which are to be found both in this manual and on the product itself.



Importer:
MEROTEC GmbH
Hanns-Martin-Schleyer-Straße 18a
47877 Willich, Germany

Email: support@coreservice.co.uk

AFTER SALES SUPPORT



GB +44 (0)1904 727501

IRE +353 (0) 19022605



www.coreservice.co.uk

MODEL: GLS 36K,

08/2015,

91979

3

YEARS WARRANTY



WARRANTY CARD

1500W Rake and Scarifier GLS36K

Your detail:

Name _____

Address _____

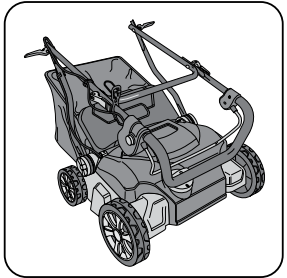
 _____ E-Mail _____

Date of purchase * _____

* We recommend you keep the receipt with this warranty card.

Location of purchase _____

Description of malfunction :





Return your completed warranty card together with the faulty product to:

Unit A&B
Escrick Business Park
Escrick
York
YO19 6FD

Email: support@coreservice.co.uk
Tel: 019022605

AFTER SALES SUPPORT

 GB +44 (0)1904 727501  www.coreservice.co.uk
IRE +353 (0) 19022605

MODEL: GLS 36K, 08/2015, 91979

Phone lines available
Monday to Friday,
8am - 6pm. Calls cost 10p
per minute from
mobiles may vary.



Warranty conditions

Dear Customer,

The **ALDI warranty** offers you extensive benefits compared to the statutory obligation arising from a warranty:

Warranty period: 3 years from date of purchase

Costs: Free repair/exchange or refund.
No transport costs.

Hotline: Free hotline

ADVICE: Please contact our service hotline by phone, e-mail or fax before sending in the device. This allows us to provide support in the event of possible operator errors.

In order to make a claim under the warranty, please send us:

- Together with the faulty item the original receipt and the warranty card properly completed.
- The faulty product with all components included in the packaging.

The warranty does not cover damage cause by:

- **Accident or unanticipated events.** (e.g. lightning, water, fire)
- **Improper use** or **Transport.**
- **Disregard of the safety** and **maintenance instructions.**
- Other **improper treatment** or **modification.**

After the expiry of the warranty period, you still have the possibility to have your product repaired at your own expense. If the repair or the estimate of costs is not free of charge you will be informed accordingly in advance.

This does not affect your statutory rights.
