



# User Manual

Spend a little Live a lot

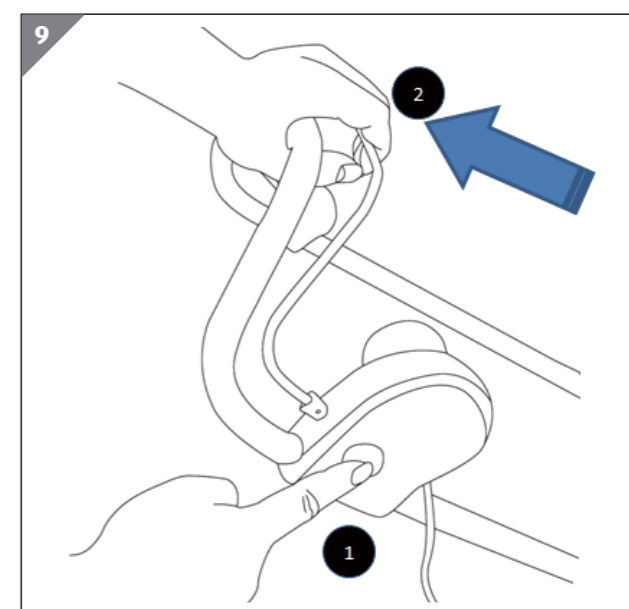
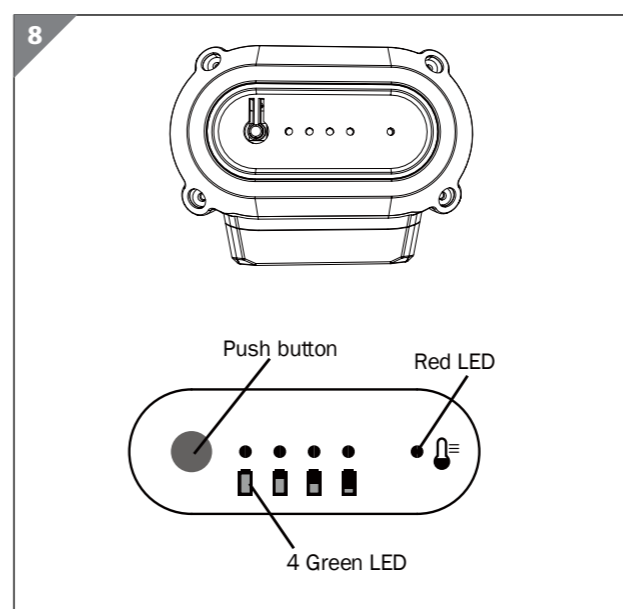
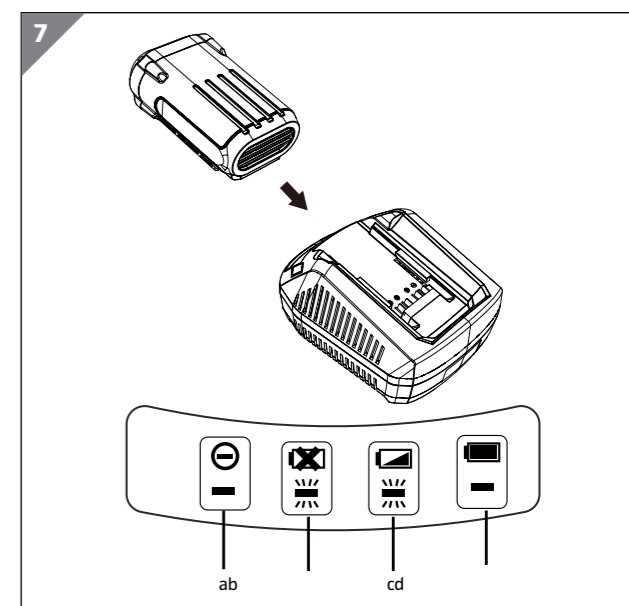
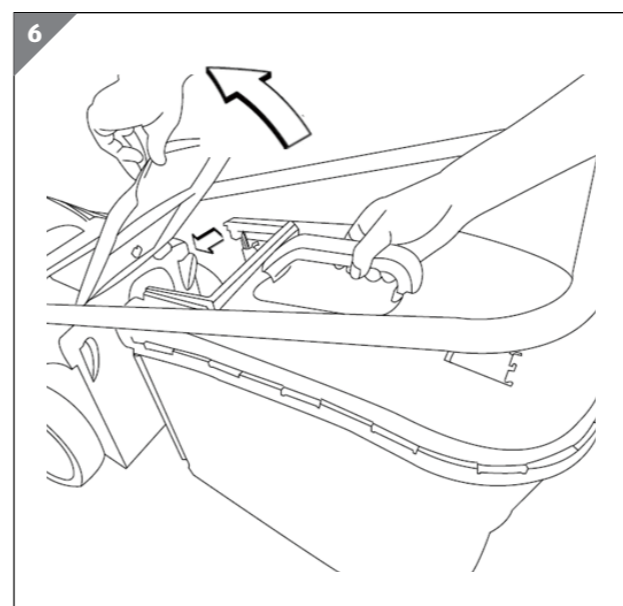
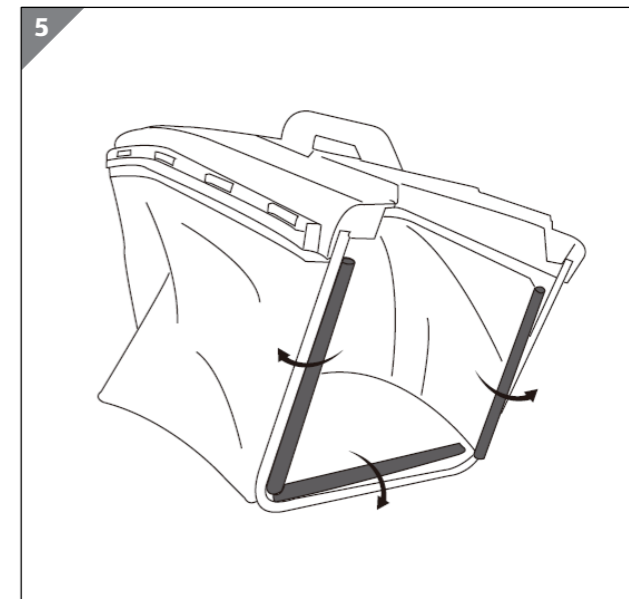
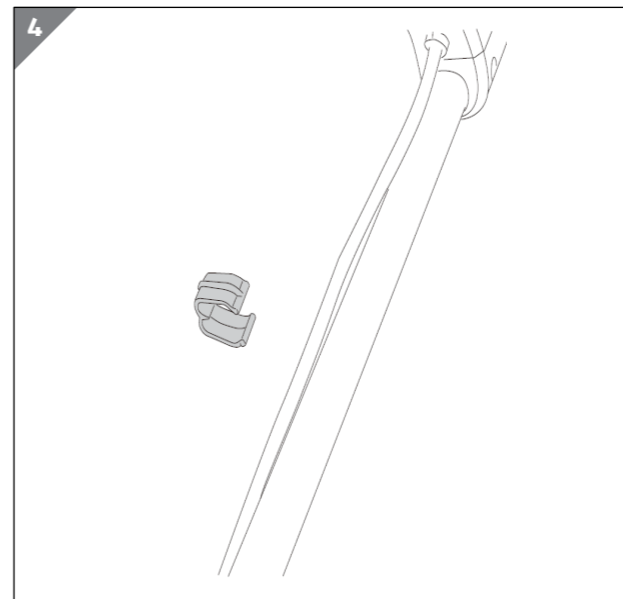
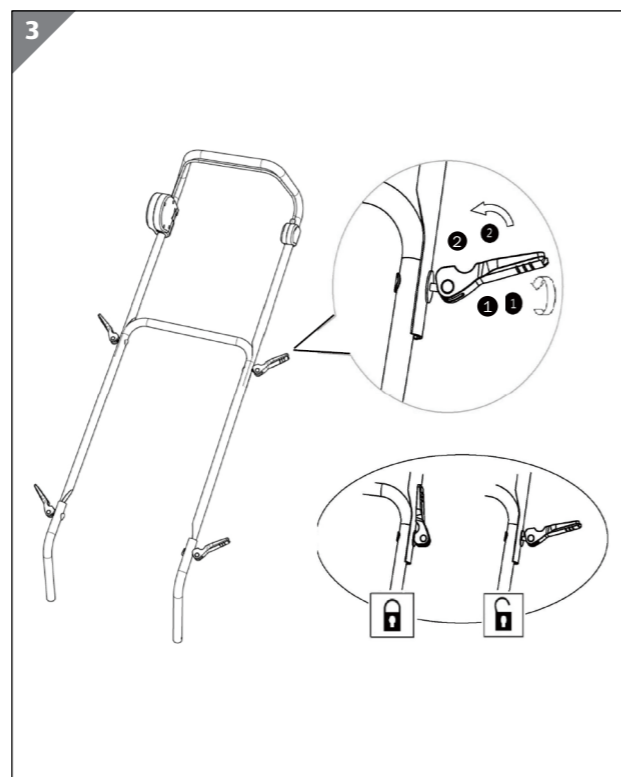
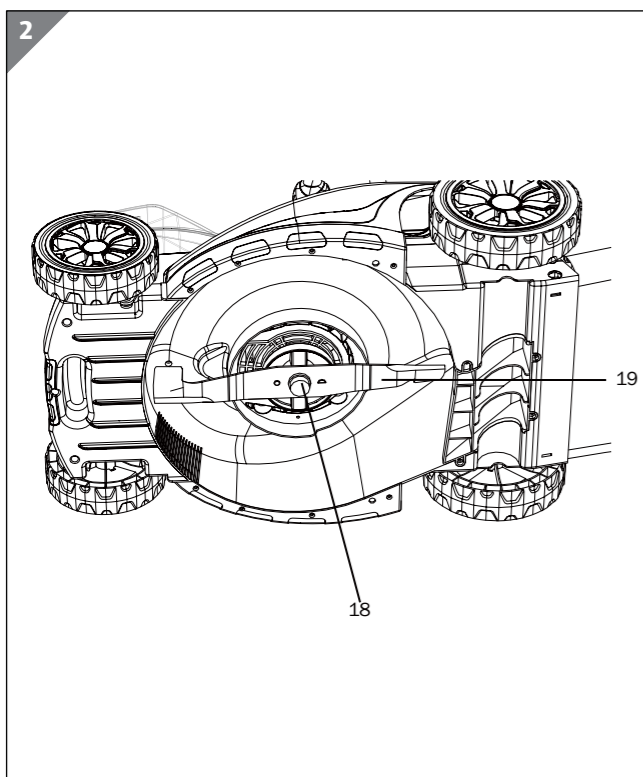
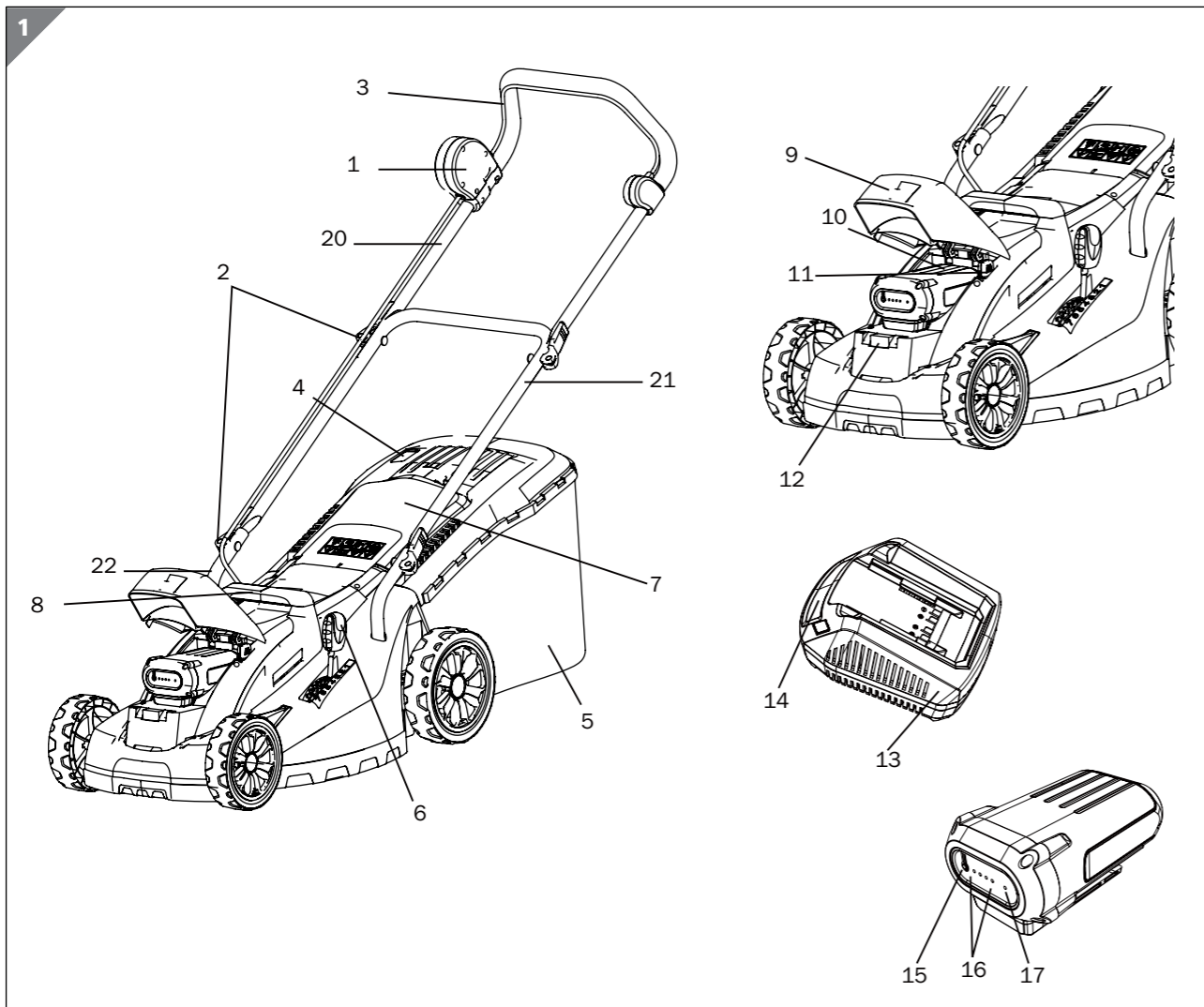
## 36V CORDLESS LAWNMOWER

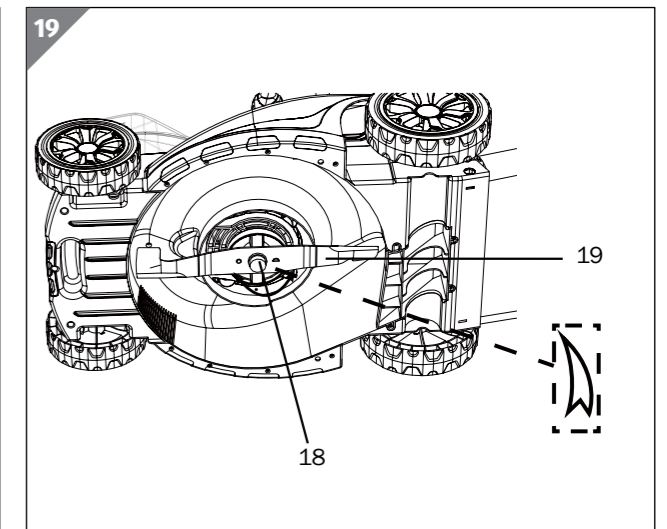
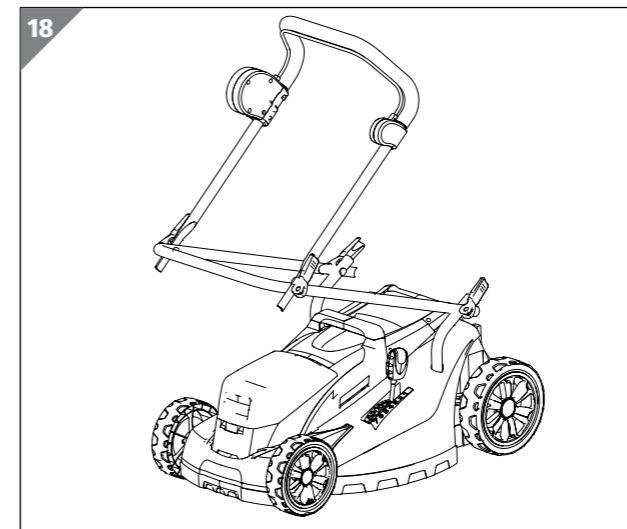
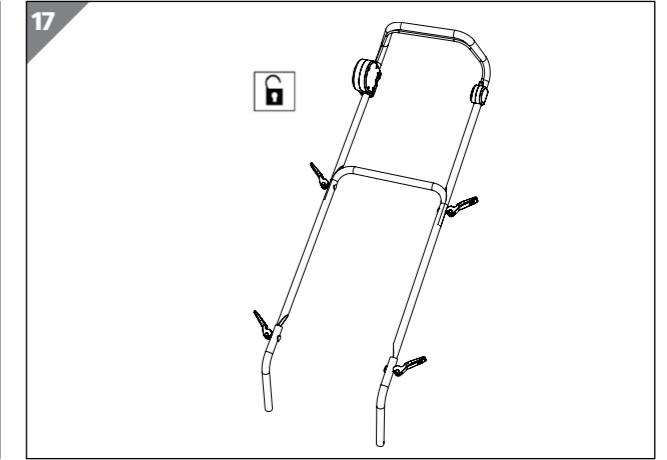
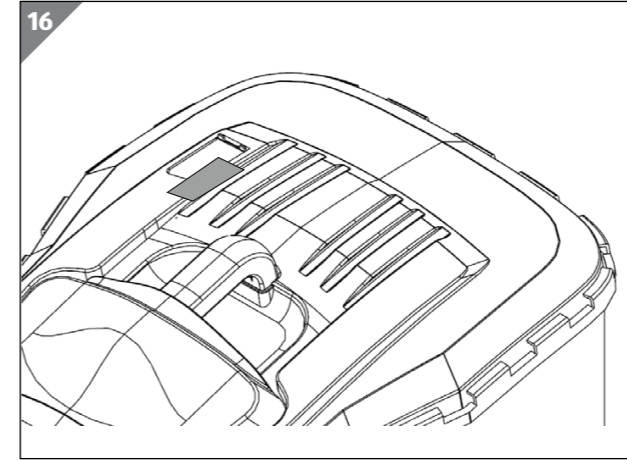
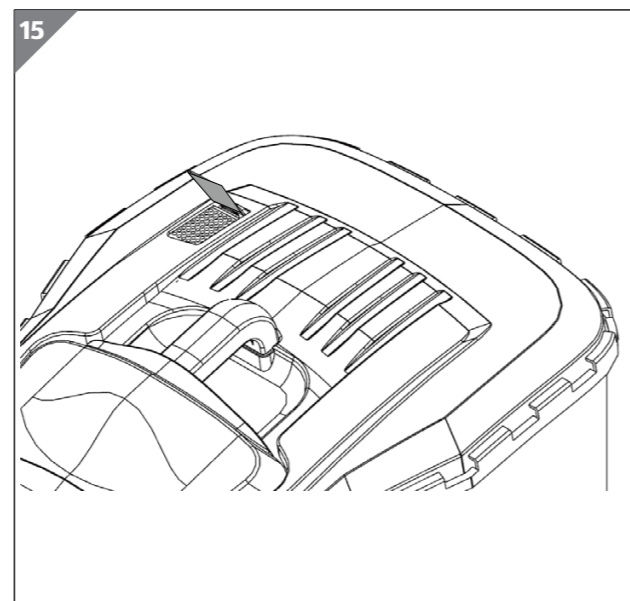
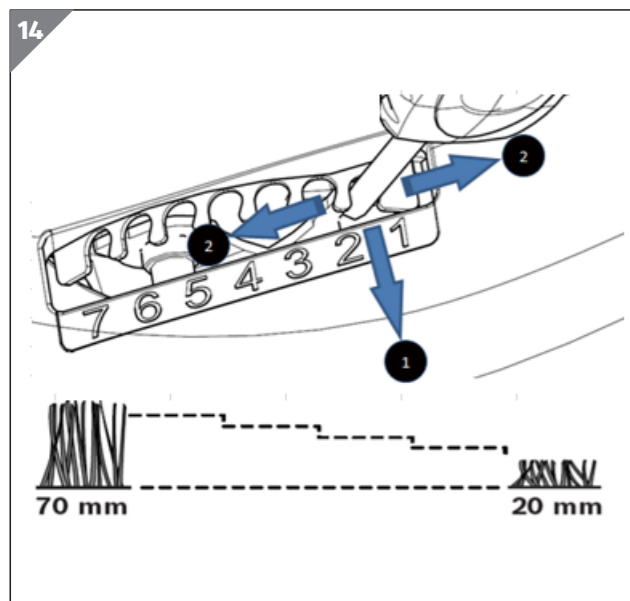
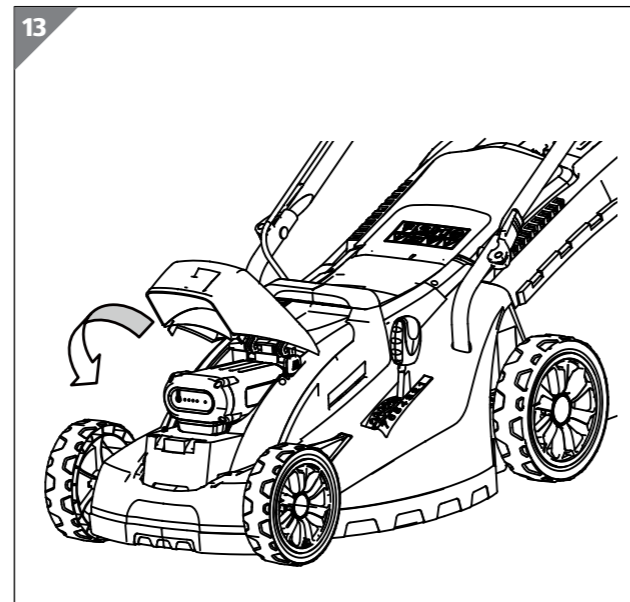
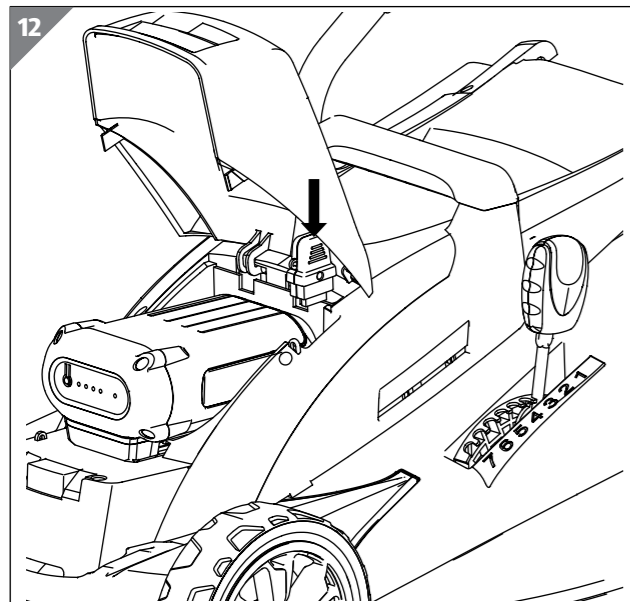
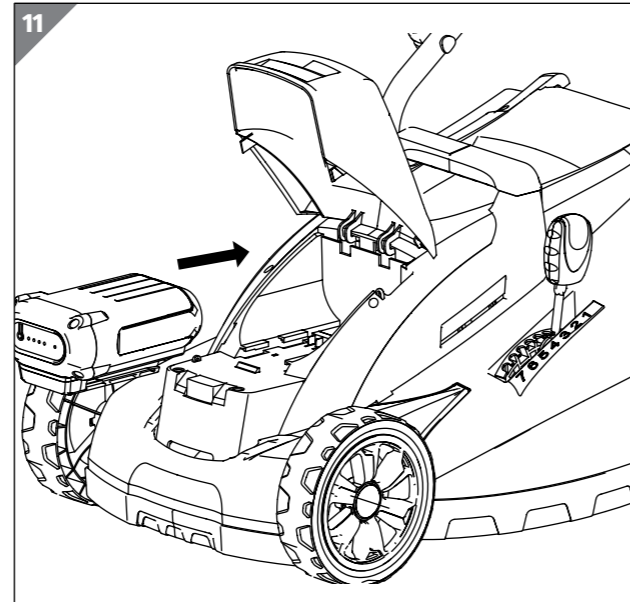
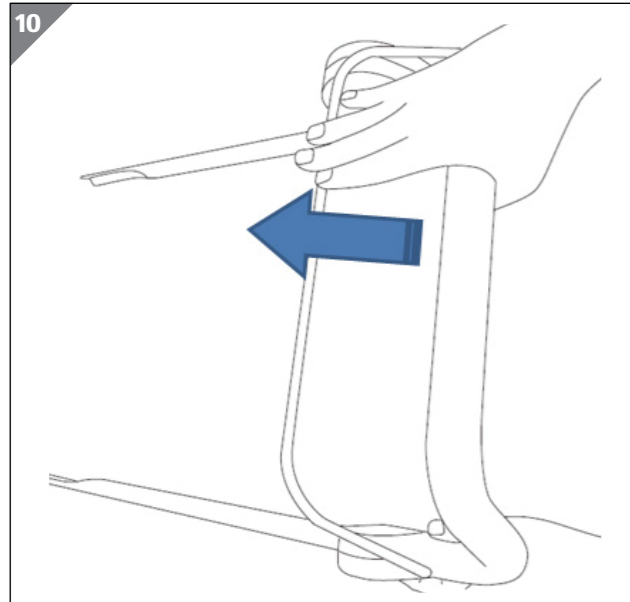
**GDLM3640**



## CONTENTS

- Product images and parts list .....3**
- General information.....7**
  - Explanation of symbols.....7
- Safety .....10**
  - Training .....11
  - Preparation .....11
  - Operation..... 11
  - Maintenance and storage.....14
  - Service.....15
  - Residual risks .....15
  - Intended use .....15
  - Non-permitted users .....15
- Checking the lawnmower and product contents .....16**
- Assembly .....16**
  - Handle assembly .....16
  - Grass bag assembly .....17
  - Charging the battery .....17
- Getting Started .....19**
  - Switching on and off.....19
  - Assembling the battery.....19
  - Removing the battery.....19
  - Setting cutting height.....19
  - Grass collection and storage.....20
  - Mowing.....20
- Care and maintenance .....21**
- Troubleshooting.....24**
- Storage .....25**
- Disposal.....25**
- Technical data.....26**
- EC Declaration of Conformity**
- Warranty**
  - Warranty Card
  - Warranty Conditions





## DESCRIPTION OF PRODUCT PARTS

### Parts List

- |    |  |    |  |
|----|--|----|--|
| 1  | Switch box                             | 12 | Lock button for the battery pack               |
| 2  | Quick release clamp lever for handle   | 13 | Charger  |
| 3  | Switch-on lever                        | 14 | Control lights for the battery charging status |
| 4  | Grass bag indicator                    | 15 | Button for the battery status                  |
| 5  | Collecting bag                         | 16 | 4 LED lights for the battery capacity          |
| 6  | Lever for adjusting the cutting height | 17 | Error alert led                                |
| 7  | Rear flap                              | 18 | Blade nut                                      |
| 8  | Lift handle                            | 19 | Blade  |
| 9  | Battery cover                          | 20 | Upper handle                                   |
| 10 | Battery pack                           | 21 | Mid handle                                     |
| 11 | Safety key                             | 22 | Lower handle                                   |

## Reading and storing the instruction manual



This instruction manual accompanies this lawnmower. It contains important information on assembly, start-up and handling. Before using the lawnmower, read the instruction manual carefully. This particularly applies to the safety notes. Failure to heed this instruction manual may result in severe injury or damage to the lawnmower. The instruction manual is based on the standards and rules in force in the European Union. Store the instruction manual for future use. If you pass the lawnmower on to third parties, please be absolutely sure to include this instruction manual.

You can request an electronic version of these instructions from our customer service centre.

## Explanation of symbols

The following symbols and signal words are used in this instruction manual, on the lawnmower or on the packaging.



Read the instruction sheet or read operator's manual.



This symbol before a safety comment, indicates a precaution, a warning or a danger. Ignoring this warning can increase the risk of an accident occurring. To reduce the risk of injury, fire or electrocution always follow the safety instructions provided.



These three symbols indicate the requirement of wearing ear protection, eye protection and gloves when using the product.



Do not expose and operate the tool in rain.

## AFTER SALES SUPPORT



Keep bystanders away. Objects thrown by the product could hit the user or other bystanders. Always ensure that other people and pets remain at a safe distance from the product when it is in operation.



Beware of sharp blades. Blades continue to rotate after the motor is switched off;

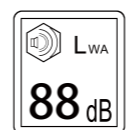
- Remove disabling device before maintenance.
- Stay clear of mower blade as long as motor is running.



Wait until all machine components have completely stopped before touching them. The blades will continue to rotate after the machine is switched off. Rotating blades can cause severe injury.



Caution! Mowing on slopes increases the risk of falling. Always mow across the face of slopes, never up and down.



Guaranteed sound power level value in 88 dB



The product complies with the applicable European directives and an evaluation method of conformity for these directives was done.



WEEE symbol. Waste electrical products should not be disposed of with household waste. Please recycle where facilities exist. Check with your local authority or local store for recycling advice.

## AFTER SALES SUPPORT

## Warning Symbols on the charger



Warning!



Read the instruction sheet or read operator's manual.



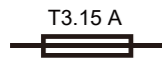
The charger is for indoor use only.



Double insulation.



Pole orientation.



Protective 3.15A limited.



WEEE symbol. Waste electrical products should not be disposed of with household waste. Please recycle where facilities exist. Check with your local authority or local store for recycling advice.

## AFTER SALES SUPPORT

9

## Warning Symbols on the battery pack



Batteries contain Li-ion, and should not be disposed of with household waste. Recycle where facilities exist. Contact local authority for recycling guidelines.



Do not throw into water.



Do not throw on to fire.



Do not subject the battery to strong sunlight over long periods and do not leave it in high temperatures (max.45°C).



Waste electrical products should not be disposed of with household waste. Please recycle where facilities exist. Check your local authority or retailer for recycling advice.

## Safety

### General & additional safety instructions



#### WARNING!

Read all safety warnings and instructions. Failure to follow the warnings and instructions may result in electric shock, fire and/or serious injury. Carefully read the instructions for the safe operation of the machine. Save all warnings and instructions for future reference.

10

## AFTER SALES SUPPORT



## Training

1. Read the instructions carefully. Make sure you understand the instructions and are familiar with the controls and the correct use of the product.
2. Never allow children or people unfamiliar with these instructions to use the product. Local regulations can restrict the age of the operator.
3. Never operate the product while people, especially children or pets are nearby.
4. Keep in mind that the operator or user is responsible for any accidents or hazards occurring to other people or their property.

## Preparation

1. While operating the product always wear substantial footwear and long trousers. Do not operate the product when barefoot or wearing open sandals. Avoid wearing clothing that is loose fitting or that has hanging cords or ties.
2. Thoroughly inspect the area where the product is to be used and remove all objects which can be thrown by the product.
3. Before using, always visually inspect to see that the blade, blade bolt and the blade assembly are not worn or damaged. Replace worn or damaged components in sets to preserve balance. Replace damaged or unreadable labels.
4. Ensure the switch is in the off position before inserting battery pack. Inserting the battery pack into machines that have the switch on will increase the risk of accidents.

## Operation

### General

1. Use the lawnmower only with specifically designated battery packs. Use of any other battery packs will increase the risk of injury and fire.
2. Operate the product only in daylight or in good artificial light.
3. Do not expose tool and charger to rain or wet conditions. Water entering a tool or charger will increase the risk of electric shock.
4. Avoid operating the product in wet grass.
5. Always be sure of your footing on slopes.
6. Walk, never run.

7. Mow across the face of slopes, never up and down.
8. Exercise extreme caution when changing direction on slopes.
9. Do not mow excessively steep slopes.
10. Use extreme caution when reversing or pulling the product towards you.
11. Stop the blade(s) if the product has to be tilted for transportation when crossing surfaces other than grass and when transporting the product to and from the area to be used.
12. Never operate the product with defective guards or shields or without safety devices, for example deflectors and/or grass collector, in place.
13. Switch on the motor carefully according to instructions and with feet well away from the blade(s).
14. Do not tilt the product when switching on the motor, except if the product has to be tilted for starting. In this case, do not tilt it more than absolutely necessary and lift only the part, which is away from the operator.
15. Do not start the product when standing in front of the discharge opening.
16. Do not put hands or feet near or under rotating parts. Keep clear of the discharge opening at all times.
17. Do not transport the product while the cutting blade is running.
18. Stop the product and remove the key/battery pack from the machine. Make sure that all moving parts have come to a complete stop:
  - whenever you leave the product unattended.
  - before clearing blockages or unclogging chute.
  - before checking, cleaning or working on the product.
  - after striking a foreign object. Inspect the product for damage and make repairs before restarting and operating the product.
19. If the product starts to vibrate abnormally, follow the steps below:
  - inspect for damage.
  - replace or repair any damaged parts.
  - check for and tighten any loose parts.

### Charger operation

1. Recharge only with the charger specified by the manufacturer. Do not use the original charger on other Li-ion batteries or on any other type of battery — this will increase the risk of fire and explosion.

2. Check the battery charger, cable and plug each time before use. Do not use the battery charger if defective. Do not open the battery charger yourself and have it repaired only by qualified personnel using original spare parts.
3. The charger is designed to use standard household 230-240 V~ 50Hz power source. The charger's plug must match the outlet. Never modify the plug in any way. Unmodified plugs and matching outlets will reduce risk of electric shock.
4. Do not abuse the cord of charger. Never use the cord for carrying, pulling or unplugging the charger. Keep cord away from heat, oil, sharp edges or moving parts. Damaged or entangled cords increase the risk of electric shock.
5. Make sure the charger cord is located so that it will not be stepped on, tripped over or otherwise subjected to damage or stress.
6. Keep the battery charger clean. Contamination will increase the danger of electric shock.
7. Protect the battery charger from rain and moisture. The penetration of water in a battery charger increases the risk of electric shock.
8. Do not operate the battery charger on easily inflammable surfaces (e.g. paper, textiles, etc.) or in combustible environments. There is danger of fire due to the heating of the battery charger during charging.
9. The temperature range over which the battery pack can be charged is typically 5°C-45 °C. Therefore, charging efforts outside the prescribed temperature range may automatically be blocked by the protection circuitry of the battery pack. Longest life and best performance can be obtained if the battery pack is charged at room temperature.
10. Disconnect charger from the power supply when not in use. This will reduce the risk of electric shock or damage to the charger if metal items should fall into the opening.

### Battery Pack

1. The Li-ion battery pack is not fully charged at the factory. Battery pack must be fully charged before first use.
2. The battery pack should be recharged when it fails to produce sufficient power on jobs which were easily done previously. DO NOT CONTINUE using product with its battery in a depleted condition.
3. Do not charge the battery in an air temperature below 5°C or above 45°C. This is important and will prevent serious damage to the battery. Longest life and best performance can be obtained if the battery is charged at room temperature about 20°C.

## AFTER SALES SUPPORT

13

4. When the machine continues to be used and the battery temperature is above 45°C, the battery cannot be charged. Let the machine cool before attempting to charge the battery.
5. Protect the battery pack against heat, e.g. continuous sun irradiation and fire. Overheating increases the risk of fire and explosion.
6. Do not carry individual battery packs in your pockets or bags as they could short-circuit against other metal items.
7. If an exposed Li-ion battery pack does start a fire, it will burn even more violently if it comes into contact with water or even the moisture in the air.  
DO NOT THROW WATER ON A BURNING LI-ION BATTERY! The correct fire extinguisher must be used.
8. If the battery pack becomes too hot to the touch during charging, disconnect and switch off immediately. Contact the Service Centre directly.
9. Do not open the battery yourself. There is danger of a short circuit.
10. When battery pack is not in use, keep it away from other metal objects, such as paperclips, coins, keys, nails, screws or other small metal objects that can make a connection from one terminal to another. Shorting the battery terminals together may cause burns or fire.

### Maintenance and storage

1. Keep all nuts, bolts and screws tight to be sure the product is in a safe working condition.
2. Check the grass collector frequently for wear or deterioration.
3. Be careful during adjustment of the product to prevent entrapment of the fingers between moving blades and fixed parts of the product.
4. Always allow the product to cool down before storing.
5. When servicing the blades be aware that, even though the power source is switched off, the blades can still be moved.
6. Replace worn or damaged parts for safety. Use only genuine replacement parts and accessories.
7. DO NOT attempt to open the charger and battery pack. There are no customer serviceable parts inside. Return to any authorised service center.
8. Store the appliance with battery pack fully charged at a room temperature (around 20°C ).
9. Every deep discharge cycle decreases the capacity of battery pack. To prolong battery life, it is recommended to charge the battery every 6 months over extended periods of time without use.

14

## AFTER SALES SUPPORT

## Service

1. Have your tool repaired by an authorised service agent. This tool is manufactured in accordance with the relevant safety regulations. To avoid danger, equipment must only be repaired by qualified technicians.
2. Only use parts and accessories made for this machine by the manufacturer. Failure to do so can result in personal injury.

## Residual risks

Even if you are operating this product in accordance with all the safety requirements, potential risks of injury and damage remain. The following dangers can arise in connection with the structure and design of this product;

- Health defects resulting from vibration emission if the product is being used over long periods of time or not adequately managed and properly maintained.
- Injuries and damage to property due to broken application tools or the sudden impact of hidden objects during use.
- Danger of injury and property damage caused by flying objects.

Warning! This product produces an electromagnetic field during operation! This field may under some circumstances interfere with active or passive medical implants. To reduce the risk of serious or fatal injury, we recommend persons with medical implants to consult their doctor and the medical implant manufacturer before operating this product!

## Intended Use

This lawnmower has been designed for cutting grass. Any other use is not permitted. The lawnmower is suitable for private use in the garden only, lawnmower for private use are those which are used for cutting grass and lawns in the garden, not for cutting grass in public parks, playing fields or on farms or in forests.

### Non-permitted users:

Persons who are not familiar with the operating manual, children and young people under the age of 16 as well as persons under the influence of alcohol, drugs or medication must not operate the unit.

## AFTER SALES SUPPORT

15

## Checking the lawnmower and product contents



### WARNING! RISK OF DAMAGE!

If you are not cautious when opening the packaging with a sharp knife or other pointed objects, you may easily damage the lawnmower. Therefore, be very careful when opening.

Take the lawnmower out of the packaging and check whether the appliance or the individual parts show any signs of damage. If this is the case, do not use the lawnmower. Contact the manufacturer at the service address specified on the warranty card. Check to make sure that the delivery is complete (see Fig 1).

## Scope of delivery

- Operating manual
- Lawnmower with lower handle fixed
- Upper handle
- Mid handle
- Collection bag
- Handle of collection bag
- Safety key –loop in the mower
- Battery pack
- Battery charger
- 4 pcs quick clamps
- 2 pcs cord clips

**Note:** The packaging material is made of recyclable materials. Dispose of packaging materials in accordance with local regulations.

## Assembly

When assembling this machine, follow the instructions for assembly printed. Towards the front of the manual.

### Handle assembly

When assembling this machine, follow the instructions for assembly printed. Towards the front of the manual (Fig. 3)

- 1) Fit the upper handle, mid handle and lower handle together with the quick release lock system. You can rotate the quick release lock to adjust the tightness.

16

## AFTER SALES SUPPORT



2) As Fig. 4 shows, fix the cord using the cord clip.

**Note:** The packaging material is made of recyclable materials. Dispose of packaging materials in accordance with local regulations.

### Grass bag assembly

- 1) Clip the plastic clips over the metal frame, Fig. 5.
- 2) Make sure that these clips are fully secured to the metal frame.
- 3) Hang the collection bag on the hook as shown in Fig. 6.

### Charging the battery (Fig. 8)



**WARNING!** Observe correct mains voltage: The voltage of the power source must comply to the voltage specified on the nameplate of the unit. Equipment marked with 230V can also be connected to 220V or 240V.



**WARNING!** Use only the charging unit supplied. Only this charging unit is matched to the lithium battery used in the product.



**WARNING!** The battery is supplied partially charged, to ensure full capacity of the battery, charge fully before first use.



**WARNING!** To maintain optimum battery life, ensure that the battery is fully charged before storage.



**WARNING!** Do not recharging non-rechargeable batteries.

The charging procedure is only possible when the battery temperature is within the allowed charging temperature range (see section "Technical data").

1. Connect the charger to the electric outlet and the LED light should come on. This shows the charger is ready for charging.
2. Insert the battery pack into the charger, the LED should start flashing meaning that the battery is now charging.
3. When fully charged the 4 LEDs will light up for 3 seconds then turn off, the LED on the charger will stop flashing and remain on.

## AFTER SALES SUPPORT

17

### Indicator LED on charger (Fig. 7)

- a. When the charger is plugged in, the green LED lights will be lit.
- b. When the battery pack is inserted into the charger and the connection is made successfully, the green LEDs will flash.
- c. When the battery pack is fully charged the green LED will be lit permanently.
- d. When there is a problem the red LED will flash.



#### WARNING!

When the battery pack is fully charged, it is recommended that the battery pack should be taken off the charger immediately.

**Notice:** If you do not use the product for a long time, ensure to charge and discharge the battery pack once every 6 months.

### Indicator LED on battery pack (Fig.8)

1. When you push the button the 4 green LEDs will show the power remaining.
2. The 4 green LEDs will flash when battery pack is charging.
3. When the battery pack is low on charge, the red LED light will be on.
4. When the battery pack overheats, the red LED light will show.



#### WARNING!

If the red LED light is lit, stop using the battery immediately, be this in the mower or in the charger. This should prevent more damage to the battery.



#### DANGER!

Comply with all safety instructions when using rechargeable devices.



#### DANGER!

The device may only be put into operation if there are no defects. If a part is defective it must be replaced before the device is used again. Check to make sure the device is in a safe operating condition.

18

## AFTER SALES SUPPORT

## Getting Started

### SWITCHING ON AND OFF (Fig. 9 and 10)

1. Do not start the motor in tall grass.
2. **Switch on:** Press the button on the combined switch/plug. Hold down the ON button ❶ and pull the switch bar ❷ towards the handle and hold in position.

**Switch off the tool:** Release the switch bar.

Do not continue to press the start button ❶ after automatic shut-off of the machine as this will result in damage to the battery.



#### WARNING!

When the motor has been switched off, the cutter continues running for several seconds. Do not touch the underside of the mower until the cutter has come to a complete standstill!



#### WARNING!

Before you remove the grass bag, make sure that the blade has stopped completely.

### Assembling the battery (Fig. 11, 12 and 13)

1. Open the battery pack cover and keep it open.
2. Insert the battery pack into the cavity until you hear a click. Ensure that the battery pack is fixed in position.
3. Insert the safety key until you hear a click.
4. Close the cover.

### Removing the battery

1. Open the battery cover.
2. Take out safety key.
3. Press the locking button and the battery pack will slide back a little.
4. Pull the battery pack out

### Setting Cutting Height (Fig. 14)

If you want to change the cutting height, push the adjusting lever ❶ first in order to make it out of the tooth and then push the lever to the wanted position (from 1 to 7, as shown).

## AFTER SALES SUPPORT

19



#### WARNING!

Never operate the adjusting handle roughly.

### Grass collection and storage

- There are two functions on this machine.
1. If the collection bag is empty or it is not filled with grass, the grass full indicator will open (Fig. 15).
  2. If the collection bag is full the grass full indicator will be closed (Fig. 16).
- This lawnmower can be folded for compact storage.
1. Loosen the quick release lock system on handles (Fig. 17).
  2. Fold the handles (Fig. 18).
  3. Store.

### Mowing

1. Make sure that the lawn is clear of stones, sticks, wire or other objects that could damage the product or its motor.
2. Do not cut wet grass as it tends to stick to the underbody of the product, preventing the proper discharge of grass clippings.
3. Never cut off more than one-third of the total length of the grass to maintain a healthy lawn. In the autumn, lawns should only be cut as long as there is growth.
4. Slowly push the product forward.
5. Mow in slightly overlapping rows. The most effective pattern for mowing lawns is straight lines along one of the sides. This will keep the rows even and ensures that all the lawn is cut without missing any spots (Fig. 20).
6. Circle around flower beds. When reaching a flower bed in the middle of the lawn, cut a row or two around the circumference of the bed.
7. Pay special attention when changing direction.
8. Empty the grass catcher regularly.

Fig. 20



20

## AFTER SALES SUPPORT

## After Use

1. Switch the product off, disconnect the safety key from the tool and remove the battery pack and let it cool down.
2. Check, clean and store the product as described below.

## Care and maintenance



### WARNING!

Always switch the product off, disconnect the battery pack from the tool and let the product cool down before inspection, maintenance and cleaning work!

1. Keep the product clean. Remove debris from it after each use and before storage.
2. Regular and proper cleaning will help ensure safe use and prolong the life of the product.
3. Inspect the product before each use for worn and damaged parts. Do not operate it if you find broken and worn parts.



### WARNING!

Only perform repairs and maintenance work according to these instructions. All further works must be performed by a qualified specialist.

## General cleaning

1. Clean the product with a dry cloth. Use a brush for areas that are hard to reach.
  2. In particular clean the air vents after every use with a cloth and brush.
  3. Remove stubborn dust with high pressure air (max. 3 bar).
- Note:** Do not use chemical, alkaline, abrasive or other aggressive detergents or disinfectants to clean this product as they might be harmful to its surfaces.
4. Check for any damage and wear. Repair damages in accordance with this instruction manual or take it to an authorised service centre before using the product again.

## AFTER SALES SUPPORT

21

## Spare parts/Replacement parts

The following parts of this product may be replaced by the consumer. Spare parts are available at an authorised dealer or through our customer service.

Description	Model no. or Specification
Battery pack	B0P136AA (10INR19/65)
Battery charger	B0Q136-AB
Grass catcher	SLM40K.0.2A
Cutting device (blade)	856203

## Underbody and cutting device



### WARNING!

Wear safety gloves when working on or near the cutting device. Use proper tools to remove debris, such as a stick. Never use bare hands.

Always use original spare parts for replacement. Replace the cutting device only with an identical component carrying the part number 856203. Do not attach any other type of cutting device.

The replacement of the cutting device should be done by an experienced user.

Rework or sharpening blades is not recommended unless it is done by a repair service or a similarly qualified specialist.

1. Keep the underbody and cutting device clean and free of debris. Remove clippings from the discharge chute
2. Check all nuts and bolts periodically for tightness before operation. After prolonged use, especially in sandy soil conditions, the cutting device will become worn and lose some of the original shape. The cutting efficiency will be reduced and the cutting device should be replaced.
3. Keep the cutting device sharp to ensure good cutting performance. Replace a worn or damaged cutting device with a new one of the same type or have it sharpened by a qualified specialist.
4. Loosen the bolt (18) anticlockwise using a suitable wrench and remove it together with cutting device (19) (Fig. 19).
5. Replace the cutting device with a new one of the same type.

22

## AFTER SALES SUPPORT

6. Reattach the cutting device (19) onto the spindle, pay attention to correct alignment. Tighten the bolt (18) clockwise with 20 Nm max. to ensure safe operation of your product.
7. Replace this cutting device after 50 hours mowing or 2 years whichever is sooner regardless of condition. If the cutting device is cracked or damaged, immediately replace it with a new one.
8. Lubricate the cutting device (19) after each use to prolong the life span of cutting device and product. Apply light machine oil along the edge of the cutting device.

**Grass catcher**

1. Inspect the grass catcher (5) before each use. Do not use it if you find any damage.
2. Clean the grass catcher (5) after operation using water and mild soap.
3. Let the grass catcher dry thoroughly before storing to avoid mildew.

**Battery Maintenance:**

Use the following procedures to enable optimum usage of the battery:

- Protect the battery against moisture and water.
- Store the battery only within a temperature range from 5°C to 45°C. For example, do not leave the battery in a vehicle or in the mower in direct sunlight.
- Clean the ventilation slots of the battery occasionally with a soft, clean and dry brush.
- A considerably shortened operating time after charging is an indication that the battery is exhausted and must be replaced.
- If you do not use the product for a long time, ensure to charge and discharge the battery pack once every 6 months.

**Note:**

- 1) Remove the isolator key and store it in a safe place. Ensure cables are not trapped when folding/unfolding top handles and do not drop the handles.

**Troubleshooting**



**WARNING!**

Before performing any maintenance or cleaning work, always pull out the battery pack and wait until the cutter has come to a complete standstill.

Problem	Possible cause	Solution
Mower fails to start	<ol style="list-style-type: none"> <li>1. Safety key not plugged into the mower</li> <li>2. Motor/blade control disengaged</li> <li>3. Battery discharged</li> <li>4. Mower housing clogged with grass and debris</li> </ol>	<ol style="list-style-type: none"> <li>1. Insert safety key into the mower</li> <li>2. Press the switch button and engage the switch lever</li> <li>3. Charge battery</li> <li>4. Unclog mower housing. Make certain blade can move freely</li> </ol>
Mower stops while mowing	<ol style="list-style-type: none"> <li>1. Discharged battery pack</li> <li>2. Cutting too much grass</li> <li>3. Clogged mower deck</li> <li>4. Overload protector in the mower or battery pack tripped</li> </ol>	<ol style="list-style-type: none"> <li>1. Charge battery</li> <li>2. Raise cutting height</li> <li>3. Unclog mower deck. Raise cutting height or cut a narrower path</li> <li>4. Rest and cool down the mower or battery pack before starting the work</li> </ol>
Mower cutting grass unevenly	<ol style="list-style-type: none"> <li>1. Lawn rough or uneven</li> <li>2. Dull blade</li> </ol>	<ol style="list-style-type: none"> <li>1. Raise the cutting height to a higher position</li> <li>2. Sharpen or replace blade</li> </ol>
Hard to push	<ol style="list-style-type: none"> <li>1. High grass or cutting height too low</li> <li>2. Rear of mower housing and blade dragging in heavy grass</li> </ol>	<ol style="list-style-type: none"> <li>1. Raise cutting height</li> <li>2. Raise cutting height</li> </ol>
Mower vibrating at higher speed	<ol style="list-style-type: none"> <li>1. Cutting blade is unbalanced</li> <li>2. Blade is loose</li> </ol>	<ol style="list-style-type: none"> <li>1. Balance the blade by grinding each cutting edge until equal</li> <li>2. Tighten the blade bolt</li> </ol>

## Storage

1. Switch the product off and disconnect the battery pack.
2. Clean the product as described above.
3. For compact storage, the handles can be folded, simply release the quick clamp lever.
4. We recommend using the original packaging for storage or covering the product with a suitable cloth or enclosure to protect it against dust.

## Disposal

### Waste disposal

The equipment and its accessories are made of various types of material, such as metal and plastic. Defective components must be disposed of as special waste. Ask your dealer or your local council.

### Disposing of the packaging



Dispose of the packaging as separate materials. Dispose of cardboard and carton as waste paper and foils via the recyclable material collection service.

### Disposing of old devices



**Old devices must not be disposed of with household waste!**

If the lawnmower can no longer be used, every user is required by law to dispose of old devices separately from their household waste, e.g. at a collection point in the community/borough. This ensures that old devices are recycled in a professional manner and also rules out negative consequences for the environment.

## AFTER SALES SUPPORT

25

## Technical data

Model Number	GDLM3640
Voltage of machine/battery	36V d.c. (Lithium-ion)
Cutting width	40cm
Grass bag capacity	45L
Cutting height	25mm-75mm (7levels)
No load variable speed	3500/min
Degree of protection	IPX1
Measured sound pressure level ( $L_{pA}$ )	73.6 dB (A), K=2.5 dB (A)
Measured sound power level ( $L_{WA}$ )	85.68 dB (A) K= 1.4 dB (A)
Guaranteed sound power level ( $L_{WA}$ )	88 dB (A)
Vibration	2.17 m/s <sup>2</sup> , K=1.5 m/s <sup>2</sup>
Weight	17.6kg
Battery pack	BOP136AA (10INR19/65-2)
Battery capacity	4Ah, 144Wh
Battery charging time Max	2hr
Battery charger	BOQ136-AB
Input	220-240V AC, 50/60Hz 100W
Output	DC 40V, 2A
Protection class	II
The battery allowable temperature	5 °C~45 °C

The sound values have been determined according to noise test code given in EN 60335-2-77, using the basic standards EN ISO 11201 and EN ISO 3744.

The sound intensity level for the operator may exceed 80 dB(A) and ear protection measures are necessary.

The declared vibration value has been measured in accordance with a standard test method (according to EN 60335-2-77) and may be used for comparing one product with another. The declared vibration value may also be used in a preliminary assessment of exposure.

**WARNING!** Depending on the actual use of the product the vibration values can differ from the declared total!

Adopt proper measures to protect yourself against vibration exposures. Take the whole work process including times the product is running under no load or switched off into consideration!

Proper measures include regular maintenance and care of the product and cutting attachments, keeping hands warm, periodical breaks and proper planning of work processes!

26

## AFTER SALES SUPPORT

# SUMEC

## EC DECLARATION OF CONFORMITY

We,  
**SUMEC Hardware & Tools Co., Ltd.**  
 1 Xinghuo RD., Nanjing, China  
 And our branch office  
**SUMEC UK Co., Ltd.**  
 Unit A&B, Escrick Business Park  
 Escrick, York YO 19 6FD

Declare that the product  
**36V Li-Ion Cordless lawn Mower and charger**  
 Model No: **GDLM3640(lawn mower), B0Q136-AB(battery charger)**  
 Manufacture Model No.: **GDLM3640(lawn mower), B0Q136-AB(battery charger)**  
 Function: **Mowing grass**  
 Serial number : **00001---09000**

Complies with the essential health and safety requirements of the following directives:

- EMC Directive: 2014/30/EC
- Machinery Directive: 2006/42/EC
- Noise Directive: 2000/14/EC amended by 2005/88/EC
- RoHS Directive: 2011/65/EU
- WEEE Directive: 2012/19/EU
- Standards conform to:
- EN 55014-1:2006+A1+A2 EN 55014-2:1997+A1+A2 EN 55014-2:2015
- EN 61000-3-2:2014 EN 61000-3-3:2013
- EN 60335-1:2012+A11 EN 60335-2-77:2010 EN 60335-2-29:2004+A2
- EN62233:2008 EN 50581:2012

We additionally confirm the following in accordance with  
 the 2000/14/EC & 2005/88/EC emissions guideline:  
 Conformity Assessment Procedure as Per Annex VI,  
 Measured sound pressure level LpA: 76 dB(A), k=3 dB(A)  
 Measured sound power level LwA : 86.8 dB(A), K=0.8 dB(A)  
 Guaranteed sound power level LwA: 92dB(A)

Authorized Signatory

Date: 21-11-2017

Signature:  
Name: Liu Kai

General Manager  
SUMEC Hardware & Tools Co., Ltd.



## AFTER SALES SUPPORT

**GB** +44 (0)1904 727506  
**IRE** +353 (0)124 751 50

[www.coreservice.co.uk](http://www.coreservice.co.uk)



## WARRANTY CARD

**CORDLESS LAWN MOWER GDLM3640**

Your detail:

Name \_\_\_\_\_

Address \_\_\_\_\_

\_\_\_\_\_

\_\_\_\_\_

\_\_\_\_\_ E-Mail \_\_\_\_\_

Date of purchase \* \_\_\_\_\_

\* We recommend you keep the receipt with this warranty card.

Location of purchase \_\_\_\_\_

Description of malfunction :



Return your completed warranty card  
together with the faulty product to:

Unit A&B  
 Escrick Business Park  
 Escrick  
 York  
 YO19 6FD

Email: [support@coreservice.co.uk](mailto:support@coreservice.co.uk)  
 Tel: 01904 727506

### AFTER SALES SUPPORT

**GB** +44 (0)1904 727506 [www.coreservice.co.uk](http://www.coreservice.co.uk)  
**IRE** +353 (0)124 751 50

MODEL: GDLM3640 03/2018 82915

Phone lines available  
 Mon - Fri : 9am - 5pm  
 Sat - Sun: 11am - 4pm.  
 Calls are charged at local rate,  
 mobiles may vary

**3**  
 YEARS WARRANTY

## Warranty conditions

Dear Customer,

The **ALDI warranty** offers you extensive benefits compared to the statutory obligation arising from a warranty:

**Warranty period:** **3 years** from date of purchase  
**6 months** for wear and tear parts and consumables under normal and proper conditions of use (e.g. rechargeable batteries).

**Costs:** Free repair/exchange or refund.  
No transport costs.

**Hotline:** Support line charged at local rate

**ADVICE:** Please contact our service centre by phone or email before sending in the device. This allows us to provide support in the event of possible operator errors.

**In order to make a claim under the warranty, please send us:**

- Together with the faulty item the original receipt and the warranty card properly completed.
- The faulty product with all components included in the packaging.

**The warranty does not cover** damage cause by:

- **Accident or unanticipated events.** (e.g. lightning, water, fire)
- **Improper use or Transport.**
- **Disregard of the safety and maintenance instructions.**
- Other **improper treatment or modifications.**

After the expiry of the warranty period, you still have the option to have your product repaired at your own expense. If the repair or the estimate of costs is not free of charge you will be informed accordingly in advance.

This warranty does not limit the statutory obligation of the seller arising from a warranty. In the event that a product is received for repair, neither the service company nor the seller will assume any liability for data or settings possibly stored on the product by the customer.



Spend a little Live a lot

Great care has gone into the manufacture of this product and it should therefore provide you with years of service when used properly. In the event of product failure within it's intended use over the course of the first 3 years after date of purchase, we will remedy the problem as quickly as possible once it has been brought to our attention. In the unlikely event of such an occurrence or if you require any information about the product, please contact us via our helpline support services, details of which are to be found both in this manual and on the product itself.

**Importer:**  
SUMEC UK  
UNIT A&B ESCRICK BUSINESS PARK  
ESCRICK, YORK, YO19 6FD, UK

Email: [support@coreservice.co.uk](mailto:support@coreservice.co.uk)

**AFTER SALES SUPPORT**

GB +44 (0)1904 727506  
IRE +353 (0)124 751 50 [www.coreservice.co.uk](http://www.coreservice.co.uk)

MODEL: GDLM3640, 03/2018, 82915

**3**

YEARS WARRANTY