



YARD FORCE®

LAWN & GARDEN EQUIPMENT

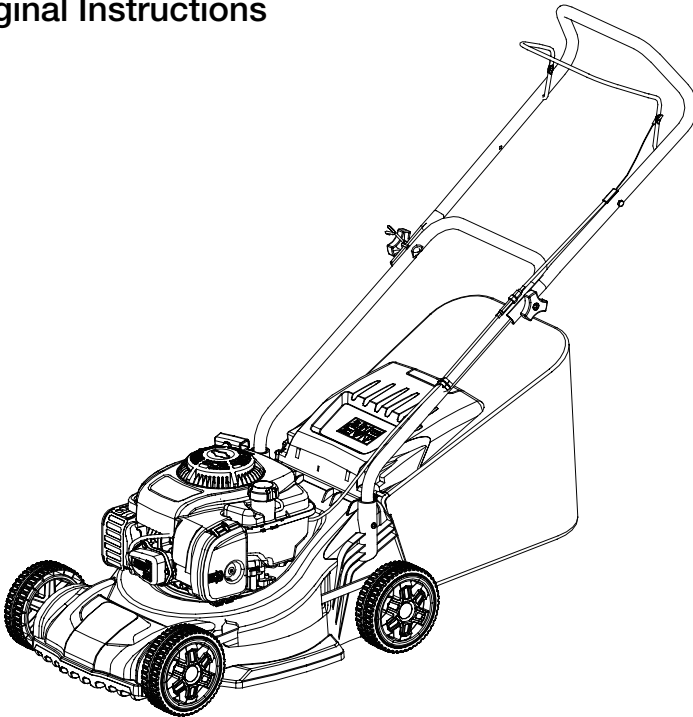
GM B40

XSS40D

GB

PETROL LAWNMOWER

Original Instructions



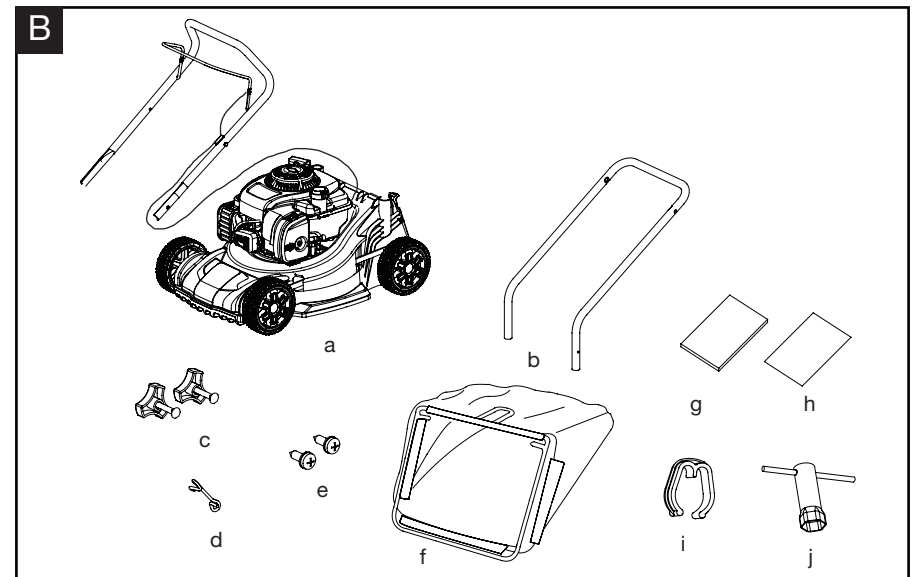
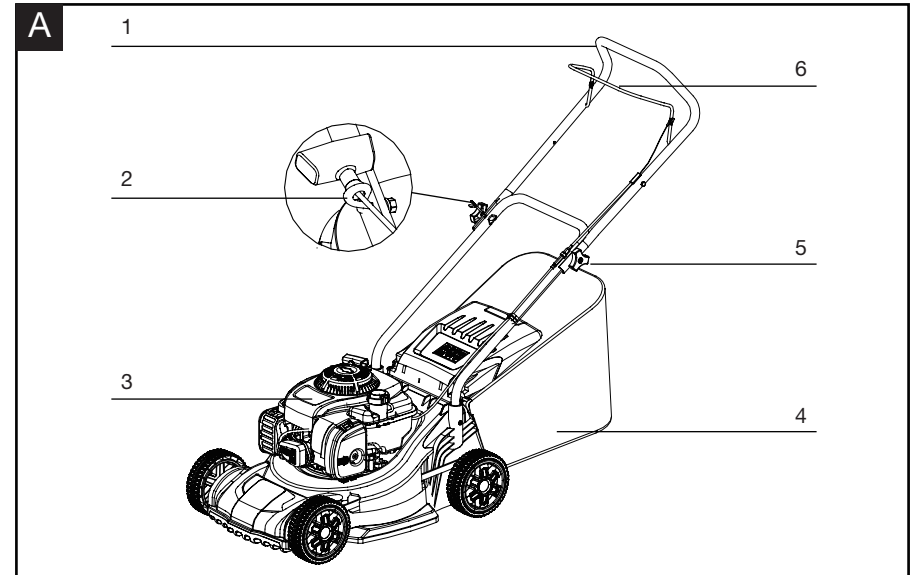
**READ & UNDERSTAND
INSTRUCTION MANUAL**

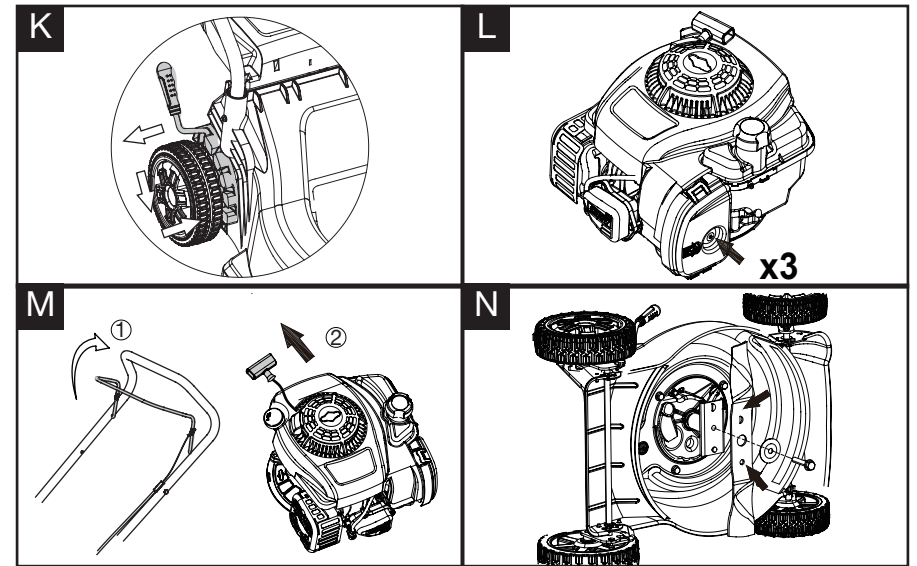
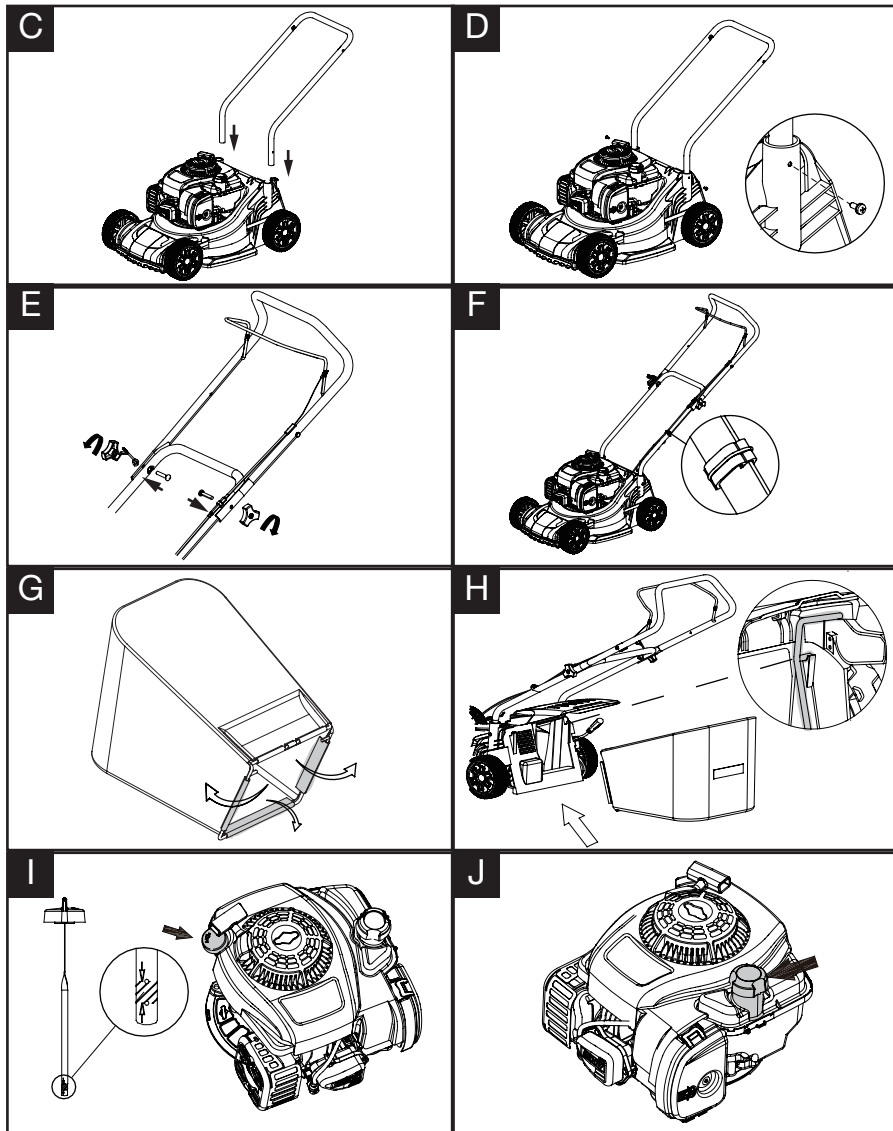


Save all warnings and instructions for future reference.



Read this manual carefully prior to assembling and operating the petrol lawnmower. It is dangerous to operate this product without being familiar with these instructions. Keep this manual in a safe place and have it ready for future reference.





CONTENT

Intended use	07
General safety warnings	07
Product safety warnings	09
Symbols	12
Technical data	15
Description of product	16
Installation	17
Operation	18
Maintenance and storage	21
Troubleshooting	24
CE declaration	25

INTENDED USE

This lawnmower has been designed for cutting grass. The machine is to be used only for its prescribed purpose, any other use is deemed to be a case of misuse. Please note that our equipment has not been designed for use in commercial, trade or industrial applications. Our warranty will be voided if the machine is used in commercial, trade or industrial businesses or for equivalent purposes.

GENERAL SAFETY WARNINGS

Safety Warnings



WARNING: Read all safety warnings and instructions.

Failure to follow the warnings and instructions may result in electric shock, fire and/or serious injury.



WARNING! Read all safety warnings and instructions designated by the symbol. Save all warnings and instructions for future reference.

Always ensure anyone intending to operate this machine is fully conversant with the contents of this instruction manual prior to assembling, maintaining or operating the machine.

Perform assembly operations as described in this manual. Failure to observe this warning may lead to serious injury, death, or damage to the machine.

Always take care when removing the packaging, to prevent damage to you or to the machine.

IMPORTANT! Before assembling the machine, check all the parts indicated in the manual are in the box. Inspect all the parts for signs of damage. Do not assemble the

GENERAL SAFETY WARNINGS

machine if you observe any damaged components.

NOTE: This lawn mower complies with the Noise Emission Directive 2000/14/EC.

1. Keep this operating and maintenance manual in a safe place for reference at a later date.
2. Read the instructions carefully. Be familiar with the controls and the proper use of the equipment.
3. Never allow children or people unfamiliar with these instructions to use the lawn mower. Local regulations can restrict the age of the operator.
4. Never mow while people, especially children or pets, are nearby. Keep in mind that the operator or user is responsible for accidents or hazards occurring to other people or their property.
5. This appliance is not intended for use by people (including children) with reduced physical, sensory or mental capabilities, or lack of experience and knowledge, unless they have been given supervision or instruction concerning the use of the appliance by a person responsible for their safety.
6. Never touch a rotating blade.

Personal safety

1. **While mowing, always wear substantial footwear and long trousers.** Do not operate the equipment when barefoot or wearing open-toed sandals.
2. **Thoroughly inspect the area where the equipment is to be used and remove all objects which can be thrown by the machine.**

PRODUCT SAFETY WARNINGS

3. **Petrol is highly flammable; store fuel in containers specifically designed for this purpose.**
 - a). Refuel outdoors only and do not smoke while refuelling.
 - b). Add fuel before starting the engine. Never remove the cap of the fuel tank or add petrol while the engine is running, or when the engine is hot.
 - c). If petrol is spilled, do not attempt to start the engine but move the machine away from the area of spillage and avoid creating any source of ignition until petrol vapours have dissipated.
 - d). Replace all fuel tank and container caps securely.
4. **Replace faulty silencers.**
5. **Prior to use, visually inspect to see that the blade, blade bolts and cutter assembly are not worn or damaged.** Replace worn or damaged blades and bolts in sets, to preserve balance.

Operation safety

1. Do not operate the engine in a confined space where dangerous carbon monoxide fumes can collect.
2. Mow only in daylight or in good artificial light.
3. Avoid operating the equipment on wet grass, where feasible.
4. Always be sure of your footing on slopes.
5. Walk, never run.
6. Mow across the face of a slope, never up and down.
7. Exercise extreme caution when changing direction on slopes.
8. Do not mow excessively steep slopes.

PRODUCT SAFETY WARNINGS

9. Use extreme caution when reversing or pulling the lawn mower towards you.
10. Stop the blade if the lawn mower has to be tilted for transportation when crossing surfaces other than grass, and when transporting the lawn mower to and from the area to be mowed.
11. Never operate the lawn mower with defective guards, or without safety devices, for example deflectors and/or grass catchers, in place.
12. Do not change the engine governor settings or over speed the engine.
13. Start the engine carefully according to the instructions and with feet well away from the blade.
14. Do not tilt the lawn mower when starting the engine.
15. Do not start the engine without the grass collector in place.
16. Do not put hands or feet near or under rotating parts. Keep clear of the discharge opening at all times.
17. Never pick up or carry a lawn mower while the engine is running.
18. Stop the engine and disconnect the spark plug cable, making sure that all moving parts have come to a complete stop:
 - a). Before clearing blockages or unclogging the chute.
 - b). Before checking, cleaning or working on the lawn mower.
 - c). After striking a foreign object, inspect the lawn mower for damage and make repairs before restarting and operating the lawn mower.
 - d). If the lawn mower starts to vibrate abnormally, check immediately.
19. Stop the engine and disconnect the spark plug wire,

PRODUCT SAFETY WARNINGS

and make sure that all moving parts have come to a complete stop before refuelling.

Maintenance and storage

1. Keep all nuts, bolts and screws tight, to be sure the equipment is in safe working condition.
2. Never store the equipment with petrol in the tank inside a building where fumes can reach an open flame or spark.
3. Allow the engine to cool before storing in any enclosure.
4. To reduce the fire hazard, keep the engine, silencer, and petrol storage area free of grass, leaves, or excessive grease.
5. Check the grass collector frequently for wear or deterioration.
6. For safety, always replace worn or damaged parts.
7. If the fuel tank has to be drained, this should be done outdoors.

SYMBOLS

Safety symbols

The purpose of safety symbols is to attract your attention to possible dangers. The safety symbols and the explanations with them require your careful attention and full understanding. The symbol warnings do not, by themselves, eliminate any danger. The instructions and warnings they give are no substitutes for proper accident prevention measures.

WARNING: Be sure to read and understand all safety instructions in this operators manual, including all safety alert symbols such as “**DANGER**,” “**WARNING**,” and “**CAUTION**” before using this tool. Failure to follow all instructions listed below may result in electric shock, fire and/or serious personal injury.

SAFETY ALERT SYMBOL: Indicates **DANGER**, **WARNING**, or **CAUTION**. May be used in conjunction with other symbols or pictographs.

Symbol meaning

This page depicts and describes safety symbols that may appear on this product. Read, understand and follow all instructions on the machine before attempting to assemble and operate.

SYMBOLS



Please read all of the safety and operating instructions carefully before using this machine.



Read the instruction manual before operating.



Keep bystanders away - especially children and pets.



Beware of sharp blades - remove the spark plug lead before maintenance



No naked flames.



Appropriate ear, eye, and head protection (PPE) must be worn.



Add engine oil.
Only refuel with unleaded petrol.



Hot surfaces will burn the hands!



Warning! The lawn mowers exhaust gas contains toxic substances. Do not run the engine in closed or poorly-ventilated areas.

SYMBOLS



The blade continues to rotate for a period after the machine is switched off. Do not touch the blade until all the machine components have stopped completely.



The product complies with the applicable European directives, and an evaluation method of conformity for these directives was done.



Sound level data (96 dB), in accordance with Directive 2000/14/EC.

TECHNICAL DATA

Model	GM B40
Engine type	Single cylinder 4-stroke
Engine displacement	125 cm ³
Engine power	1.8 kW
Max. engine speed	3000 r/min
Cutting width	40 cm
Grass bag capacity	45 L
Fuel tank capacity	0.8 L
Oil tank capacity	0.47 L
Measured sound power level	91.9 dB(A) K= 3 dB(A)
Guaranteed sound power level	96 dB(A)
Vibration	5.49 m/s ² , k=1.5m/s ²
Spark type	QC12YC
Net weight	21.2 kg



WARNING: Depending on how the product is actually used, the vibration values can differ from the declared total! Adopt proper measures to protect yourself against vibration exposures. Take the whole work process, including times the product is running under no load or switched off, into consideration. Proper measures include, among others, regular maintenance and care of the product and its attachments, keeping hands warm, regular breaks and proper planning of work processes.

DESCRIPTION OF PRODUCT

Parts description (Fig. A)

1. Upper handle
2. Rope guide
3. Engine
4. Grass collection bag
5. Fixing knob
6. STOP/START-lever

Check the delivery parts (Fig. B)

Remove the machine from its packaging carefully and make sure that all of the following parts are present:

- a. Main mower deck (with upper handle attached)
- b. Lower handle
- c. Fixing knob x2
- d. Rope guide
- e. Screw x2
- f. Grass collection bag
- g. Manual
- h. QSG
- i. Cable clip
- j. Spark plug wrench



WARNING: If any parts are damaged or missing, do not operate this tool until these parts are replaced. Failure to heed this warning could result in serious personal injury.



NOTE: Always recycle the packaging in accordance with local recycling guidelines.

INSTALLATION



WARNING: Always take care when removing the packaging, to prevent damage to you or to the lawn mower. This item requires a two-person lift to remove it from the packaging. Make sure that you have sufficient space to put the lawn mower down. Keep your feet apart so that you have a stable position; bend at the knees and keep your back straight. Always recycle the packaging in accordance with local recycling schemes.

Assemble the lower handle (Fig. C&D)

1. Remove the packaging from the handle. Set the height adjustment to the lowest position, Insert the lower handle into the deck as shown and on each side and fix it with a self-tapping screw.

Assemble the upper handle (Fig. E)

1. Lift the upper handle, and lock in place using the fixing knob and tensioning bolts. Ensure the lower and upper handles are firmly connected.
2. Ensure the rope guide is on the right side, when you stand behind the mower. Engage the brake lever, and pull the start cord to hang it on the rope guide.



NOTE: Make sure that you attach the rope guide between the handle and tension knob.

Attach cable clips (Fig. F)

Ensure that the cable clips supplied are used to fix the cable to the lower handle.

Assemble the grass bag



IMPORTANT! Make sure the grass collection bag is in place before starting the engine.

1. Attach the grass bag to the frame by fixing all the plastic hooks. (Fig. G)
2. Hook the collection bag onto the mower. (Fig. H)
3. Release the safety flap.

OPERATION

Filling with engine oil (Fig. I)



IMPORTANT! The following procedures and adjustments must be performed before the engine is started. Do not attempt to make any of these adjustments while the engine is running.

This engine is shipped without oil or petrol, any oil residue is from testing prior to shipping. The engine must be filled with the correct grade of oil and petrol before starting the engine. Running the engine with a low oil level will cause irreparable engine damage. Always use high-quality detergent oil classified SAE 30 oil (or equivalent, e.g. 5W 30, often termed as 4-stroke lawn mower oil). Only use additives recommended by the engine manufacturer. To prolong the life of your engine, it is important that the oil is changed after the first 5 hours of use.

Check the engine oil level with the engine stopped and the mower on a level surface.

1. Remove the oil filler dipstick and wipe oil from it with a clean cloth.
2. Insert the dipstick into the oil filler neck, and screw it in.
3. Then remove the dipstick and check the oil level. The oil level must be between the Min. and Max. marks on the dipstick. If near the lower level, fill to the upper level with the recommended oil (SAE 30 or equivalent). Do not overfill. Wipe away any spilt oil. (Fig. I)
4. Before using for the first time, add 0.5 litres of oil (SAE 30).

Filling with engine fuel (Fig. J)



WARNING! Refuel in a well-ventilated area with the engine stopped. Do not smoke or allow flames or sparks in the area where the engine is refueled or where petrol is stored. Avoid repeated or prolonged contact with skin or inhalation of vapour.



CAUTION! Petrol is highly flammable and extreme caution must be taken when handling or working with it. Keep out of reach of children.

1. Clean the area around the petrol filler cap before removing the cap. Check the fuel level.
2. Refill the tank if the fuel level is low.
3. Always use clean, fresh unleaded petrol and purchase fuel in quantities that can be used within 30 days.

Never mix oil with petrol.

To allow for expansion, carefully refuel and avoid overfilling or spillage. There should be no fuel in the filler neck.

Clean up any overflow or splashes of petrol before starting the engine.

Tighten the filler cap after filling, finger tight only.

OPERATION

Setting the cutting height (Fig. K)



WARNING! The blade can cause serious injury. Before adjusting the mower height, stop the engine and wait for the mower blade to come to a complete stop.

1. Pull the lever towards the wheel, then move it forward or backward to adjust the cutting height.
2. Move it to any one of the 5 positions for the desired cutting height.
3. Return the lever into the securing plate.

NOTE: Never use the lowest cutting height for the first cut of the season or in drought conditions. Only about one third of the grass height should be cut at this time.

Starting the engine



WARNING! Do not operate the machine in enclosed or poorly-ventilated areas, as the exhaust gas contains toxic substances. Keep hands, feet, hair and clothing away from all the moving parts of the machine. The exhaust and other parts of the machine will become hot during use. Make sure that the blade is securely fastened before starting the engine.

1. When starting a cold engine, press down the primer fully 3-5 times. **(Fig. L)**
Pressing the primer button too many times could cause the engine to flood.

NOTE: When starting a warm engine, the primer does not need to be used. If the engine stops due to a lack of petrol, refill and press down the primer 3-5 times.

2. Start/stop bar activation
Pull the start/stop bar towards you and hold it in place. **(Fig. M)**
3. Pull cord handle
With the right hand, slowly but firmly pull the starter handle and rope from the pull cord guide until you feel resistance, then pull briskly. If the engine fails to start after three pulls, repeat the start process. When the engine starts, return the starter rope to the rope guide gently. **(Fig. M)**

To stop, release stop/start bar

Failure to start

If the engine won't start after you have operated the starter several times, the engine may be flooded with excess fuel.

Use the following procedure to clean and start a flooded engine:

A. Release the stop/start bar.

B. Remove the spark plug, dry it, and then reinstall it.

Install the spark plug carefully by hand, to avoid cross-threading. After the plug is seated, tighten it 1/8 to 1/4 turns with the socket spanner to compress the washer.

OPERATION

- C. Pull the stop/start bar towards the upper handle.
- D. Operate the starter, as described above.

Mowing with collection bag



WARNING!

Always observe the strictest safety procedures when using the lawn mower.

Start the engine and allow it to run.

Keep a firm grip on the upper handle and stop/start bar, and walk along with it. Never run with the mower. Be very careful when mowing uneven or rough ground. Maintain a stable footing. Mow across slopes, never up and down. Be careful when changing the direction of the mower on a slope. Do not use the mower on a steep slope of more than 15°.

NOTE:

The best result will be achieved if the grass is dry. Wet grass will tend to clog the blade and the grass collection system.

Grass grows at different rates at different times of the year. Never use the lowest cutting height for the first cut of the season or in drought conditions. Only about one third of the grass height should be cut.

If the lawn mower will not collect the cuttings efficiently, the grass discharge chute may be blocked, the grass bag may be full, or the underside of the mower deck may be clogged.

MAINTENANCE AND STORAGE

Storing the lawn mower for short periods

After mowing, please follow the actions below prior to placing the lawn mower in storage:

- Allow the engine to fully cool.
- Ensure the grass bag is empty.
- Clean all debris from under the mower deck.

Store the lawn mower on a flat and level surface, with all 4 wheels on the ground.

Store in a dry, safe place which is not accessible by children or people who are not familiar with operation.

Storing the lawn mower for extended periods



CAUTION! Do not empty the petrol tank in enclosed areas, near fire or when smoking. Petrol fumes can cause explosions and fire. Always carry the product on its gripping surfaces.

If the lawn mower is to be placed into storage at the end of the season, or if the mower is not to be used for a longer period than 6 weeks, storage maintenance must be performed on the lawn mower.

Temperature fluctuations cause condensation, which contaminates fuel and causes starting problems. Simply emptying the machine of fuel will prevent this.

Empty the petrol tank with a petrol suction pump, if available, or use the tipping method. Start the engine and let it run until any remaining petrol has been used up.

Change the oil at the end of every season. To do so, remove the used engine oil from a warm engine and refill with fresh oil.

Remove the spark plug from the cylinder head. Fill the cylinder with approx. 20ml of oil from an oil can. Slowly pull back the starter handle, which will bathe the cylinder wall with oil, and screw the spark plug back in.

Clean the cooling fins of the cylinder and the housing.

Be sure to clean the entire machine to protect the paint.

Store the machine in a well-ventilated place.

Maintenance schedule



WARNING!

Before you tip the lawn mower onto its side, completely empty the fuel tank using a petrol suction pump.

Never turn the mower upside down.

Before commencing any maintenance, always disconnect the spark plug.

Performing routine maintenance correctly on your lawn mower will ensure you get years of trouble-free use.

Please keep this manual safe for future reference.

It is recommended that the following maintenance schedule is adhered to. This will ensure the lawn mower operates correctly and is safe to use.

MAINTENANCE AND STORAGE

	After every use	After 12 hours use	After 24 hours use	After 36 hours use
Cleaning	Clean	Clean	Clean	Clean
Air filter	/	Clean	Clean	Clean
Spark plug	/	Check	Check	Check
Engine oil	Check	Check	Check	Check
Cutting blade	Check	Check	Check	Check

Cleaning

- To ensure long life and good performance of the machine, it is important to keep the machine clean and well lubricated. Make sure the chute is clean and under the deck is cleared from wet debris. (See also short term storage).
- Do not allow grass cuttings and other debris to become dry and hard on any of the mower surfaces, as this will directly affect the cutting and grass collection performance. Make sure that the underside of the lawn mower deck is clean and clear.
- Never clean the lawn mower with a water jet or high-pressure cleaner. The engine must remain dry. Do not use aggressive cleaning agents or solvents, such as cold degreasers or petroleum ether.

Cleaning or replacing the air filter



WARNING!

Never run the engine without the air filter element installed:

- Loosen the fastener that holds the cover.
- Open the cover and remove the filter.
- To loosen debris, gently tap the filter on a hard surface. If the filter is excessively dirty, replace with a new filter.
- Install the filter.
- Install the cover tabs into the slots.
- Close the cover and secure with the fastener.

Cleaning or replacing the spark plug

- Once the engine has cooled, pull off the spark plug boot with a twist. Remove the spark plug using the socket spanner supplied.
- Clean the plug with a wire brush.
- Using a feeler gauge, set the gap to 0.51mm.
- Install the spark plug carefully by hand to avoid cross-threading.
- After the spark plug is seated, tighten with the spanner to compress the washer.

Changing the oil

Tilt the lawn mower towards the oil filler, have a container ready to catch the oil, and remove the dipstick. Once the oil has been emptied, wipe clean any spillages. Refill with 470ml SAE 30 oil or equivalent, i.e. SAE 5W/30, SAE 10W/30). When the dipstick is rested on the filler pipe, the oil level must be between the min. and max. marks on the dipstick.

MAINTENANCE AND STORAGE

See 'Filling with engine oil'. Do not overfill.

Start the engine and allow it to run briefly.

Stop the engine, wait one minute and check the oil level. Top up if necessary.

Replacing the cutting blade (Fig. N)



WARNING! USE GLOVES.

Before you remove the grass collection bag, stop the engine and wait until the blade stops completely.

You will need garden gloves (not provided) and a spanner wrench to remove the blade.

Always handle the blade with care - sharp edges could cause injury.

Do not hold the blade directly by hand.

Renew your metal blade after 50 hours of mowing or after 2 years, whichever is sooner, regardless of condition.

Regularly check your blade. If the cut of your grass is poor, the blade might be blunt.

Damaged blades not only result in a bad cut, they cause excessive vibration and uneconomical running of the engine. If the blade has worn excessively and become pitted and blunt, it should be replaced or sharpened.

Tip the machine slightly towards the oil filler pipe and reach under the deck.

Hold the blade and unscrew the blade bolt anti-clockwise using a spanner wrench. Remove the washer and the blade.

Inspect the blade adaptor for any signs of damage.

Fit a new blade, locate the blade on the two studs on the blade flange and then replace the washer and bolts.

Check the washer is still slightly domed to keep the pressure on the bolt to stop it unwinding, keeping the blade firmly secure. Then replace the washer (right way around!) and bolts. Make sure the blade is correctly located, and then firmly tighten the bolt. Do not over tighten. The up turn of the blade must project into the motor compartment.

TROUBLESHOOTING



WARNING: Always switch off the engine and pull the ignition cable before starting any inspection or adjustment work.
If after making an adjustment or repair to the engine you let it run for a few minutes, remember that the exhaust and other parts will get hot.
The following table provides solutions to common problems encountered with the lawn mower:

Fault	Possible cause	Solution
Loud while running, machine vibrates heavily	<ul style="list-style-type: none"> - Screws are loose - Blade fasteners are loose - Blade is unbalanced 	<ul style="list-style-type: none"> - Check screws - Check blade fasteners - Replace blade
Engine does not start	<ul style="list-style-type: none"> - Start/stop bar not pressed - Primer bulb is empty - Spark plug is defective - Fuel tank is empty - Engine may be flooded 	<ul style="list-style-type: none"> - Press start/stop bar - Press primer bulb 3-5 times - Replace spark plug - Refill with fuel - Remove plug and dry,
Engine runs unsteadily	<ul style="list-style-type: none"> - Air filter is soiled - Spark plug is soiled 	<ul style="list-style-type: none"> - Clean the air filter - Clean the spark plug
Uneven mowing results	<ul style="list-style-type: none"> - Blade is blunt - Cutting height is too low 	<ul style="list-style-type: none"> - Sharpen the blade - Set correct height
Unsatisfactory grass collection	<ul style="list-style-type: none"> - Cutting height is too low - Blade is worn - Grass bag is clogged 	<ul style="list-style-type: none"> - Set correct height - Replace the blade - Clear any clogged grass debris

CE DECLARATION

To the provisions of Council Directives

We
SUMEC France Sarl
59 bis Rue du Mûrier
37540 Saint Cyr Sur Loire
France

Declare that the product:
Description: Petrol lawnmower
Model No. XSS40D/ GM B40
Function: Cutting grass

Complies with the essential health and safety requirements of the following directives:

Machinery Directive 2006/42/EC
Electromagnetic Compatibility Directive 2014/30/EU
Noise Directive 2000/14/EC amended by 2005/88/EC
Conformity Assessment Procedure as Per Annex VI
Measured Sound Power Level: 91.9 dB (A)
Declared Guaranteed Sound Power Level: 96 dB (A)
Relative Notified Body (NB no 0865):
ISET S.r.l. Via Donatori del Sangue, 946024 - Moglia (MN)
Italy

Standards and technical specification referred to:

EN ISO 5395-1:2013
EN ISO 5395-2:2013+A1:2016+A2:2017
EN ISO 14982:2009

Authorized Signatory

Date: 24.09.2019

Signature: _____

Place: Saint Cyr Sur Loire
Name: Rodolphe Dubois
General Manager

SUMEC France Sarl
59 bis Rue du Mûrier
37540 Saint Cyr Sur Loire
France



CE DECLARATION

To the provisions of Council Directives

We
SUMEC UK
Unit A&B Escrick Business Park Escrick, York YO19 6FD
United Kingdom

Declare that the product:
Description: Petrol lawnmower
Model No. XSS40D / GM B40
Function: Cutting grass

Complies with the essential health and safety requirements of the following directives:

Machinery Directive 2006/42/EC
Electromagnetic Compatibility Directive 2014/30/EU
Noise Directive 2000/14/EC amended by 2005/88/EC
Conformity Assessment Procedure as Per Annex VI
Measured Sound Power Level: 91.9 dB (A)
Declared Guaranteed Sound Power Level: 96 dB (A)
Relative Notified Body (NB no 0865):
ISET S.r.l. Via Donatori del Sangue, 946024 - Moglia (MN)
Italy

Standards and technical specification referred to:

EN ISO 5395-1:2013
EN ISO 5395-2:2013+A1:2016+A2:2017
EN ISO 14982:2009

Authorized Signatory
Date: 24.09.2019

Signature: M. Hall
Place: York
Name: Mariana Hall
General Manager

SUMEC UK Co.,Ltd.
Unit A&B Escrick Business Park
Escrick, York YO19 6FD
United Kingdom



CE DECLARATION

To the provisions of Council Directives

We
MEROTEC GmbH
Otto-Brenner-Str. 8
47877 Willich, Germany

Declare that the product:
Description: Petrol lawnmower
Model No. XSS40D / GM B40
Function: Cutting grass

Complies with the essential health and safety requirements of the following directives:

Machinery Directive 2006/42/EC
Electromagnetic Compatibility Directive 2014/30/EU
Noise Directive 2000/14/EC amended by 2005/88/EC
Conformity Assessment Procedure as Per Annex VI
Measured Sound Power Level: 91.9 dB (A)
Declared Guaranteed Sound Power Level: 96 dB (A)
Relative Notified Body (NB no 0865):
ISET S.r.l. Via Donatori del Sangue, 946024 - Moglia (MN)
Italy

Standards and technical specification referred to:

EN ISO 5395-1:2013
EN ISO 5395-2:2013+A1:2016+A2:2017
EN ISO 14982:2009

Authorized Signatory
Date: 24.09.2019

Signature: Roland Menken
Place: Willich
Name: Roland Menken
General Manager

MEROTEC GmbH
Otto-Brenner-Str. 8
47877 Willich, Germany

